

US00D571550S

(12) **United States Design Patent**
Valle

(10) **Patent No.:** **US D571,550 S**
(45) **Date of Patent:** **** Jun. 24, 2008**

(54) **BELT BUCKLE DECORATION FOR SHOE**

(75) Inventor: **Andrea Della Valle**, Sant'Elpidio a Mare (IT)

(73) Assignee: **TOD'S S.p.A.**, Sant'Elpidio a Mare (AP) (IT)

(**) Term: **14 Years**

(21) Appl. No.: **29/275,488**

(22) Filed: **Dec. 27, 2006**

(30) **Foreign Application Priority Data**

Jun. 28, 2006 (EM) 000552351

(51) **LOC (8) Cl.** **02-99**

(52) **U.S. Cl.** **D2/976; D2/946**

(58) **Field of Classification Search** D2/946,
D2/976; D11/231, 234, 237; 36/136; 24/163 R,
24/188, 191-193

See application file for complete search history.

(56) **References Cited**

U.S. PATENT DOCUMENTS

- D30,717 S * 5/1899 Smith D11/234
- 658,185 A * 9/1900 Levi 24/188
- 1,859,098 A * 5/1932 Lerma 24/163 FC
- D102,680 S * 1/1937 Freysinger D11/237
- D104,239 S * 4/1937 Blankmann D11/237
- 2,380,383 A * 7/1945 Ballard 24/188
- D173,125 S * 9/1954 Henning af Odencrants D11/
237
- D198,787 S * 8/1964 Gandelman D11/237
- 3,204,314 A * 9/1965 Sokoloff 24/188
- D213,086 S * 1/1969 Aigner D2/976
- D229,335 S * 11/1973 Steinman D11/231
- 3,805,338 A * 4/1974 Krueger 24/188
- D245,130 S * 7/1977 Perrin D11/237

- D344,471 S * 2/1994 Perrin et al. D11/231
- D416,828 S 11/1999 Hwang
- D479,489 S 9/2003 Calvani
- D479,812 S 9/2003 Calvani
- D480,989 S 10/2003 Modolo
- D525,907 S * 8/2006 Mouquet D11/234
- D530,240 S * 10/2006 Kelsey D2/976
- D542,020 S * 5/2007 Choi D2/976
- D544,401 S * 6/2007 Fendi D11/234

FOREIGN PATENT DOCUMENTS

EM 000248703-0007 12/2005

OTHER PUBLICATIONS

Search Report of corresponding Taiwanese Design Patent Application No. 095307176 dated Sep. 3, 2007, 3 pages.

* cited by examiner

Primary Examiner—Dominic Simone

(74) *Attorney, Agent, or Firm*—Knobbe Martens Olson & Bear LLP

(57) **CLAIM**

The ornamental design for an ornamental belt buckle decoration for shoe, as shown and described herein.

DESCRIPTION

FIG. 1 is a left side plan view of an ornamental belt buckle decoration for shoe according to the new design.

FIG. 2 is a front plan view of the design of FIG. 1.

FIG. 3 is a right side plan view of the design of FIG. 1.

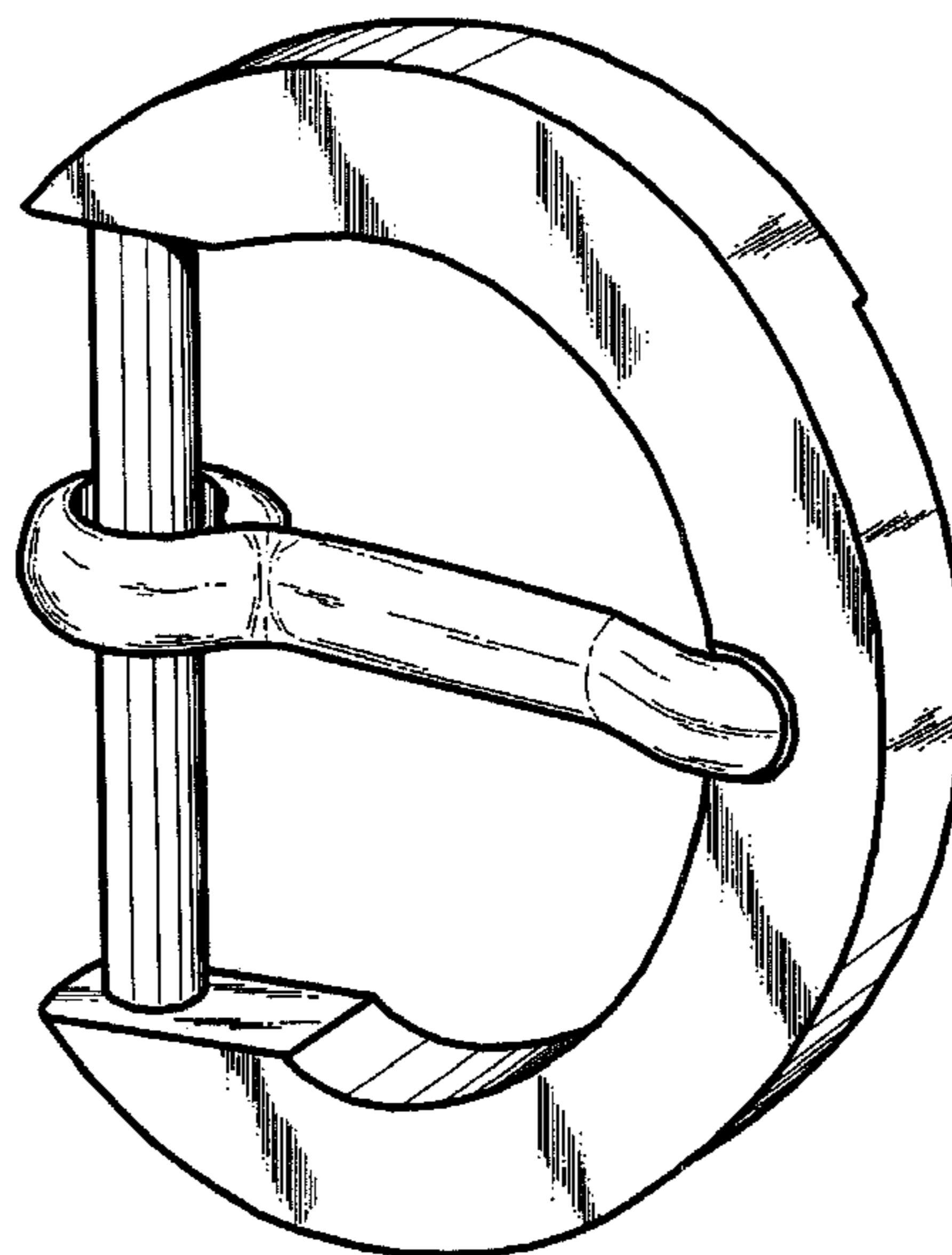
FIG. 4 is a rear plan view of the design of FIG. 1.

FIG. 5 is a bottom plan view of the design of FIG. 1.

FIG. 6 is a top plan view of the design of FIG. 1; and,

FIG. 7 is a perspective view of the design of FIG. 1.

1 Claim, 4 Drawing Sheets



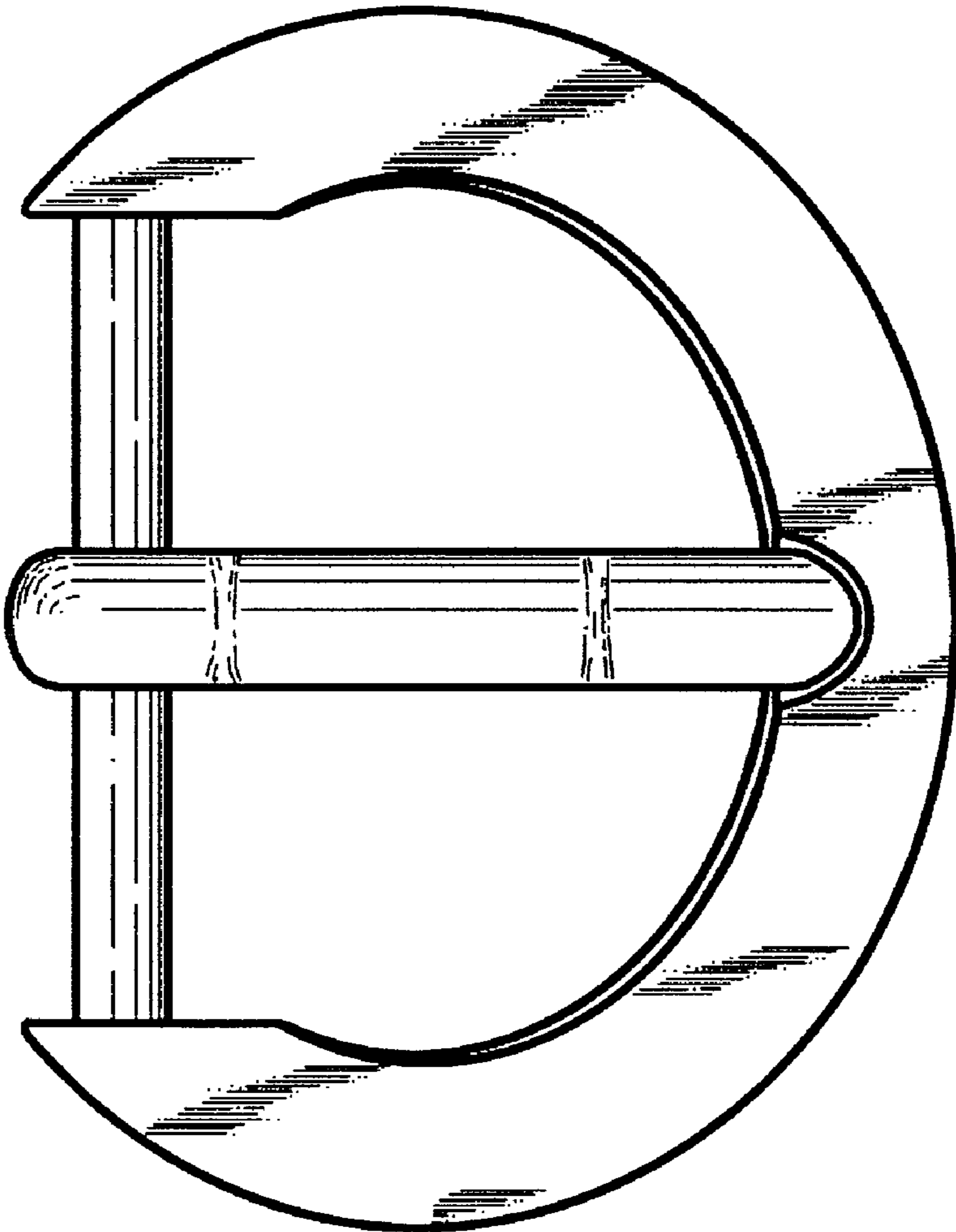


FIG. 2

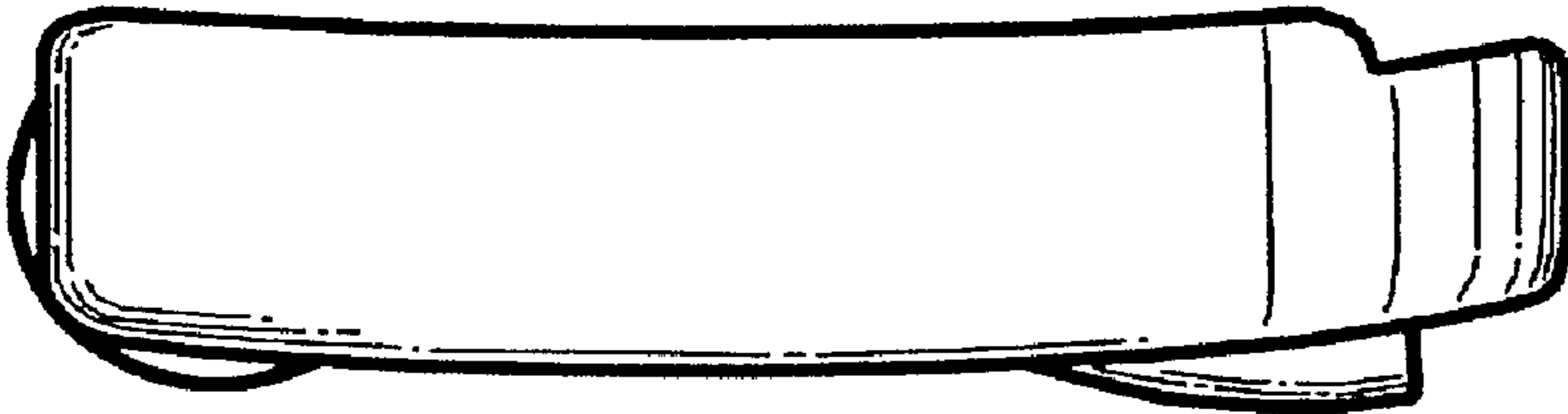


FIG. 1

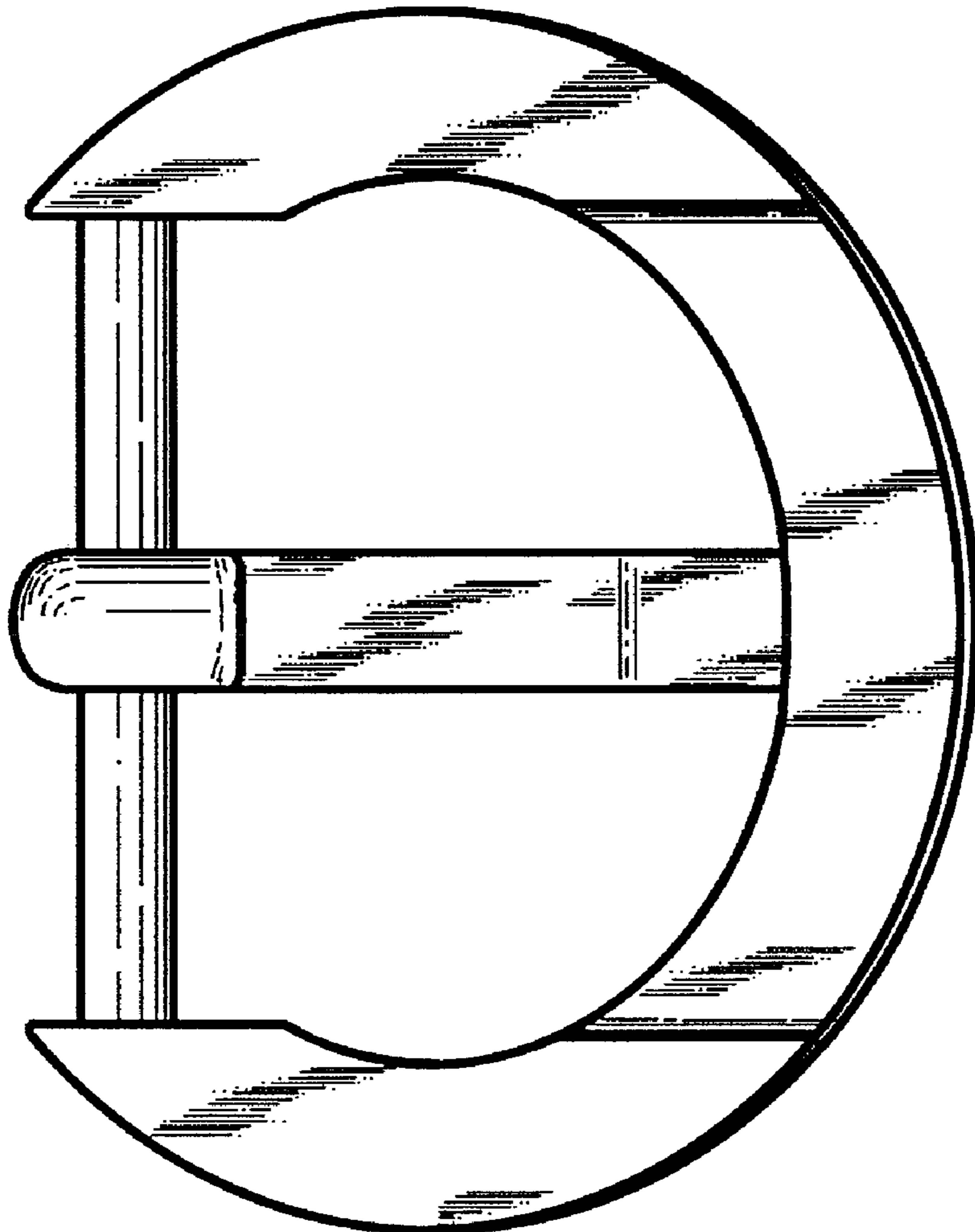


FIG. 4

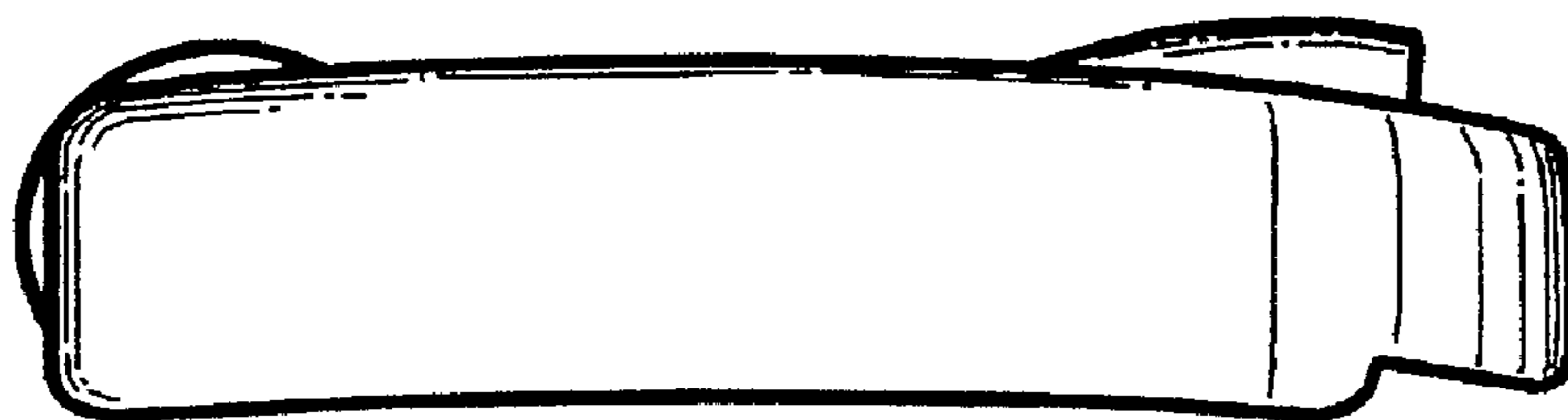


FIG. 3

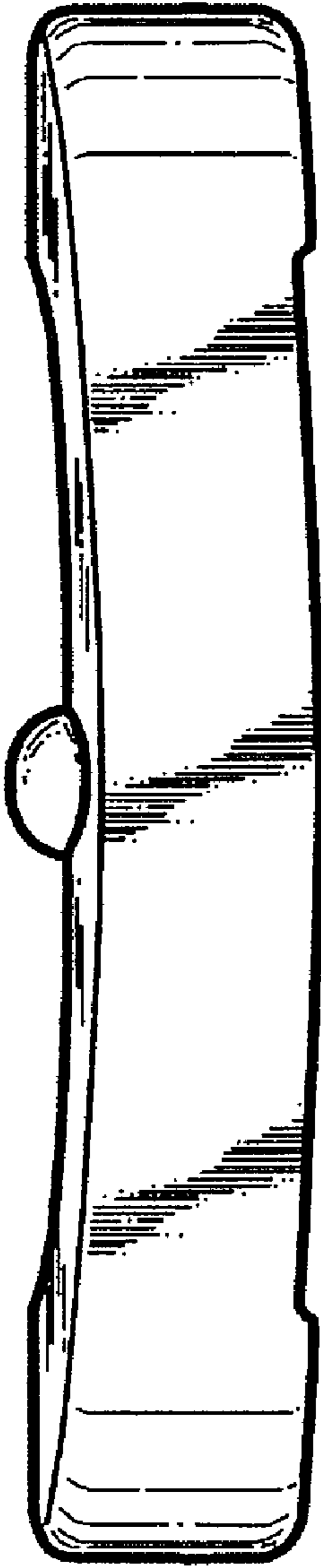


FIG. 5

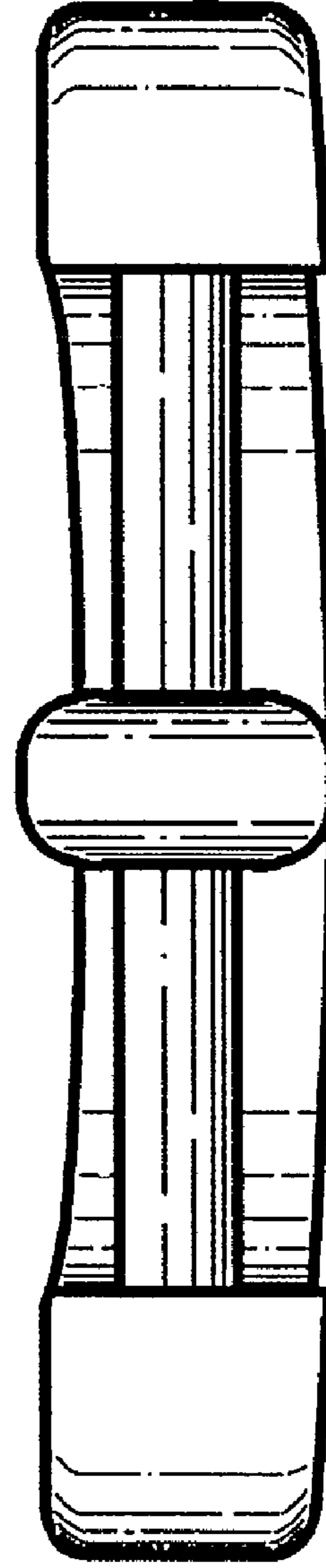


FIG. 6

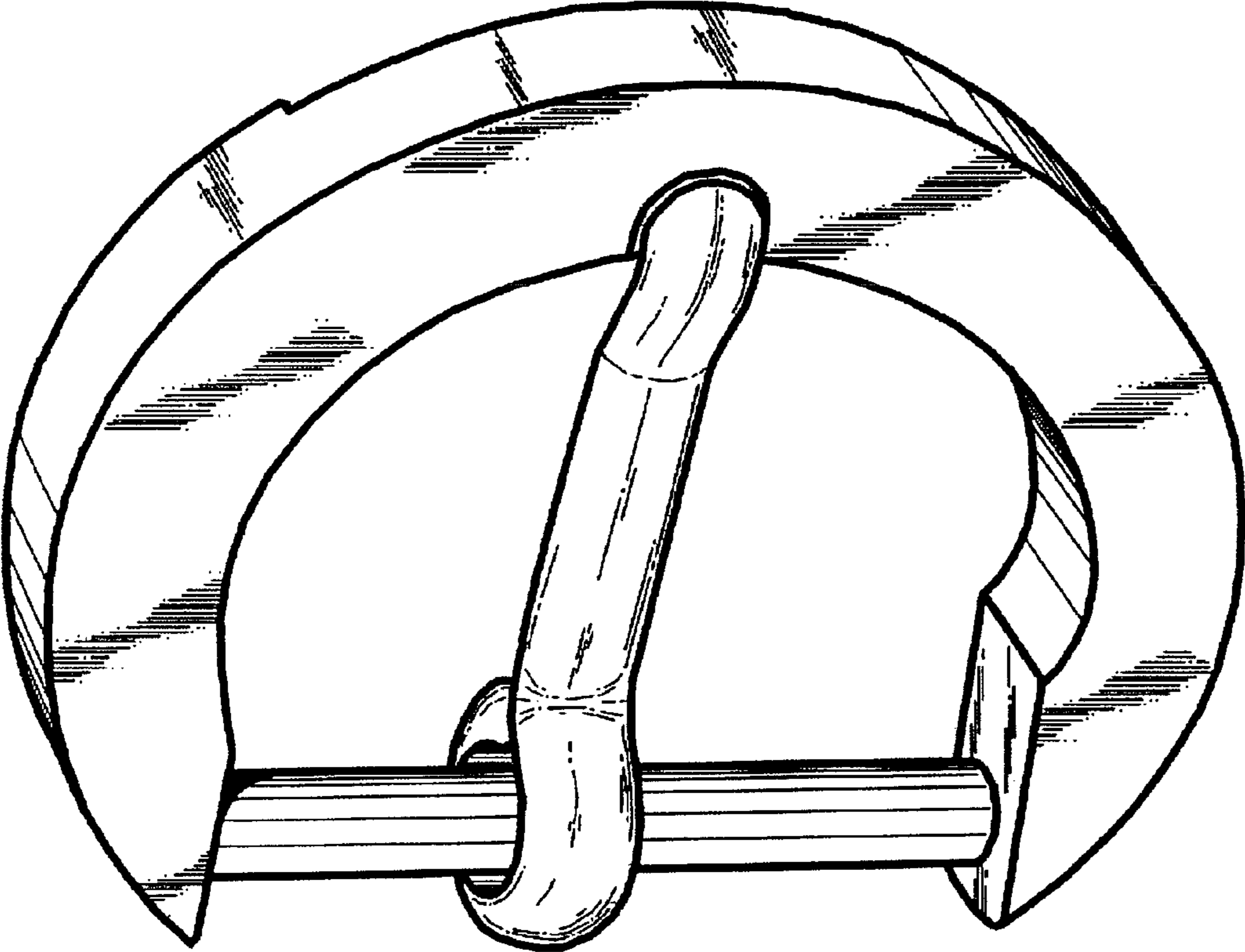


FIG. 7