



US00D571534S

(12) **United States Design Patent**
Rudolph

(10) **Patent No.:** **US D571,534 S**
(45) **Date of Patent:** **** Jun. 24, 2008**

(54) **UNDERPANTS WITH DISPOSABLE INSERT**

2002/0099349 A1* 7/2002 Lee 604/385.03

(76) Inventor: **Nora Rudolph**, 12492 US Route 422,
Southington, OH (US) 44470

(**) Term: **14 Years**

(21) Appl. No.: **29/298,609**

(22) Filed: **Dec. 8, 2007**

(51) **LOC (8) Cl.** **02-01**

(52) **U.S. Cl.** **D2/713**

(58) **Field of Classification Search** D2/700,
D2/712, 713, 716, 731, 738, 853, 856; 2/400-408,
2/227, 238; 128/112.1, 890; 602/56, 60,
602/61; 604/358, 385.07; D24/124-126

See application file for complete search history.

(56) **References Cited**

U.S. PATENT DOCUMENTS

2,739,314	A *	3/1956	Friedman	2/403
3,518,995	A *	7/1970	Claff	128/842
3,805,790	A *	4/1974	Kaczmarzyk et al.	604/369
4,675,918	A *	6/1987	O'Brien	2/402
4,690,681	A *	9/1987	Haunschild et al.	604/396
4,848,572	A *	7/1989	Herrera	206/440
5,241,710	A *	9/1993	Lockhart	2/406
5,398,346	A *	3/1995	Feinberg et al.	2/400
D366,524	S *	1/1996	Chung	D24/125
D476,739	S *	7/2003	de Carvalho et al.	D24/125
D486,228	S *	2/2004	Fonseca et al.	D24/125
D523,957	S *	6/2006	Persson	D24/125

FOREIGN PATENT DOCUMENTS

AU	110735	S *	4/1991
JP	2004011073	A *	1/2004
JP	2006214026	A *	8/2006
JP	2007144085	A *	6/2007
WO	WO 9722321	A1 *	6/1997

* cited by examiner

Primary Examiner—Ian Simmons

Assistant Examiner—Rashida Johnson

(57) **CLAIM**

I claim, the ornamental design for the underpants with disposable insert, as shown and described.

DESCRIPTION

FIG. 1 is a front elevational view of the underpants with disposable insert showing my new design;

FIG. 2 is a rear elevational view of the underpants with disposable insert thereof;

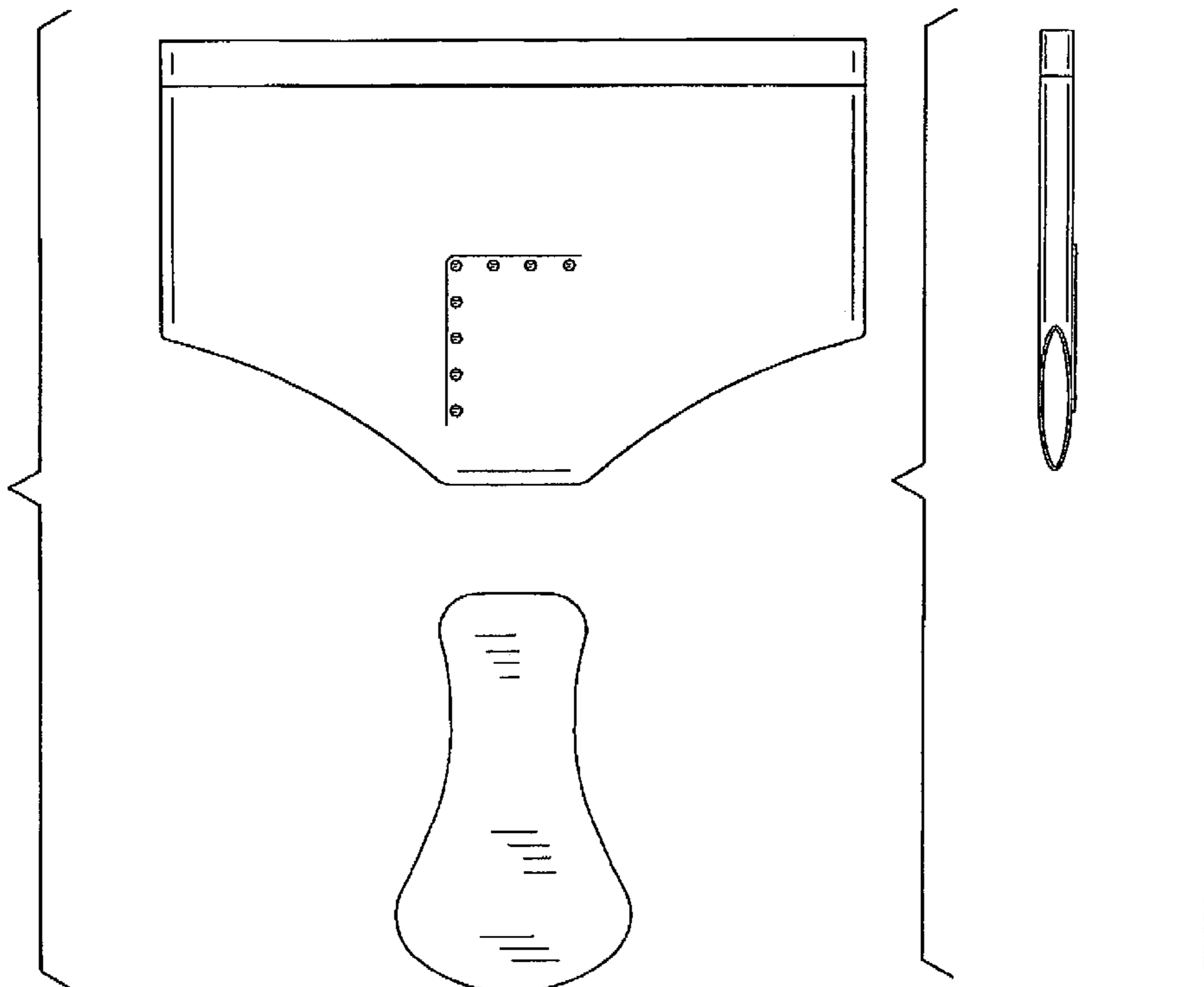
FIG. 3 is a left-side elevational view of the underpants with disposable insert thereof;

FIG. 4 is right side elevational view of the underpants with disposable insert thereof;

FIG. 5 is a top plan view of the underpants with disposable insert thereof; and,

FIG. 6 is a bottom plan view of the underpants with disposable insert thereof.

1 Claim, 4 Drawing Sheets



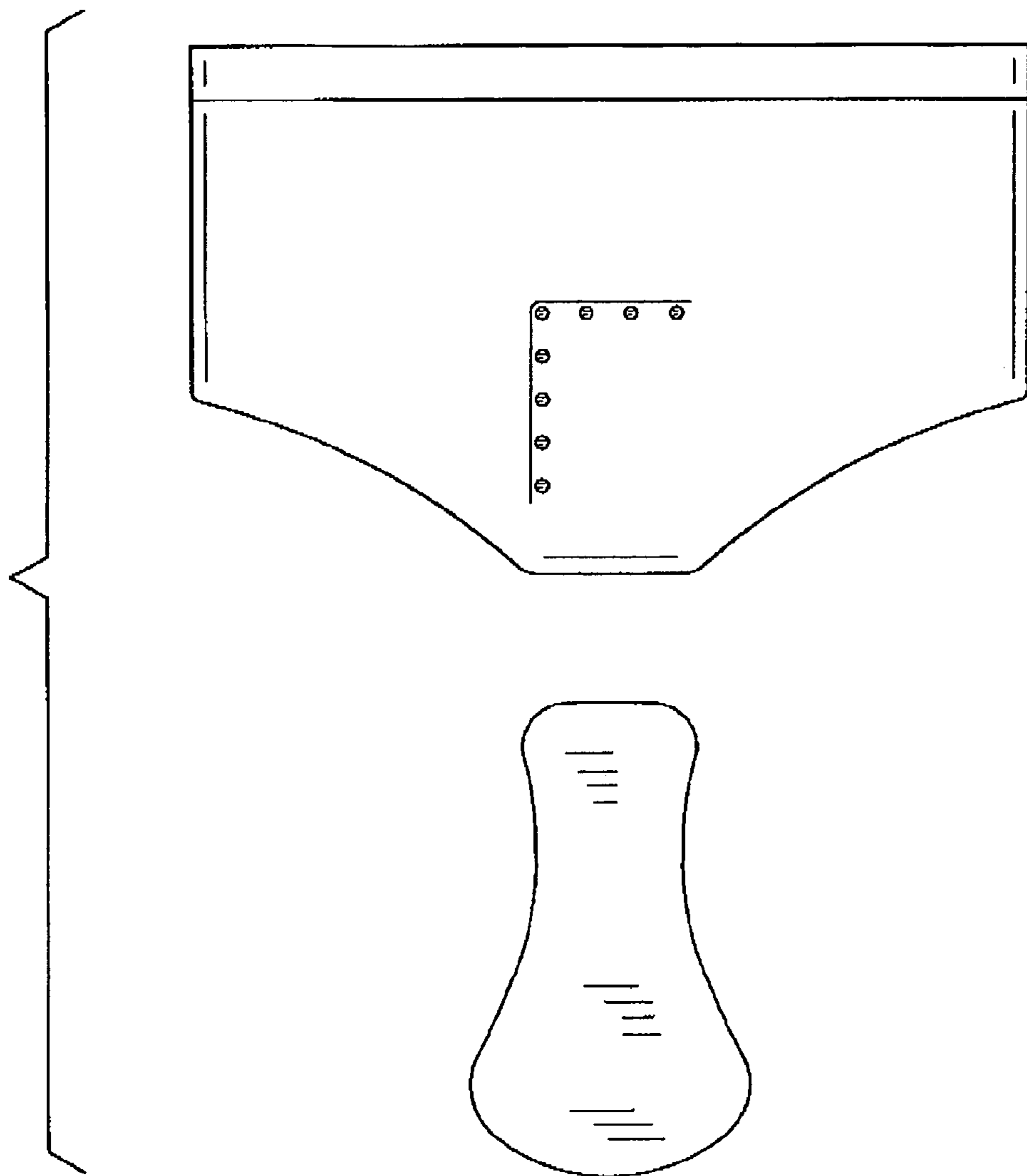


FIG. 1

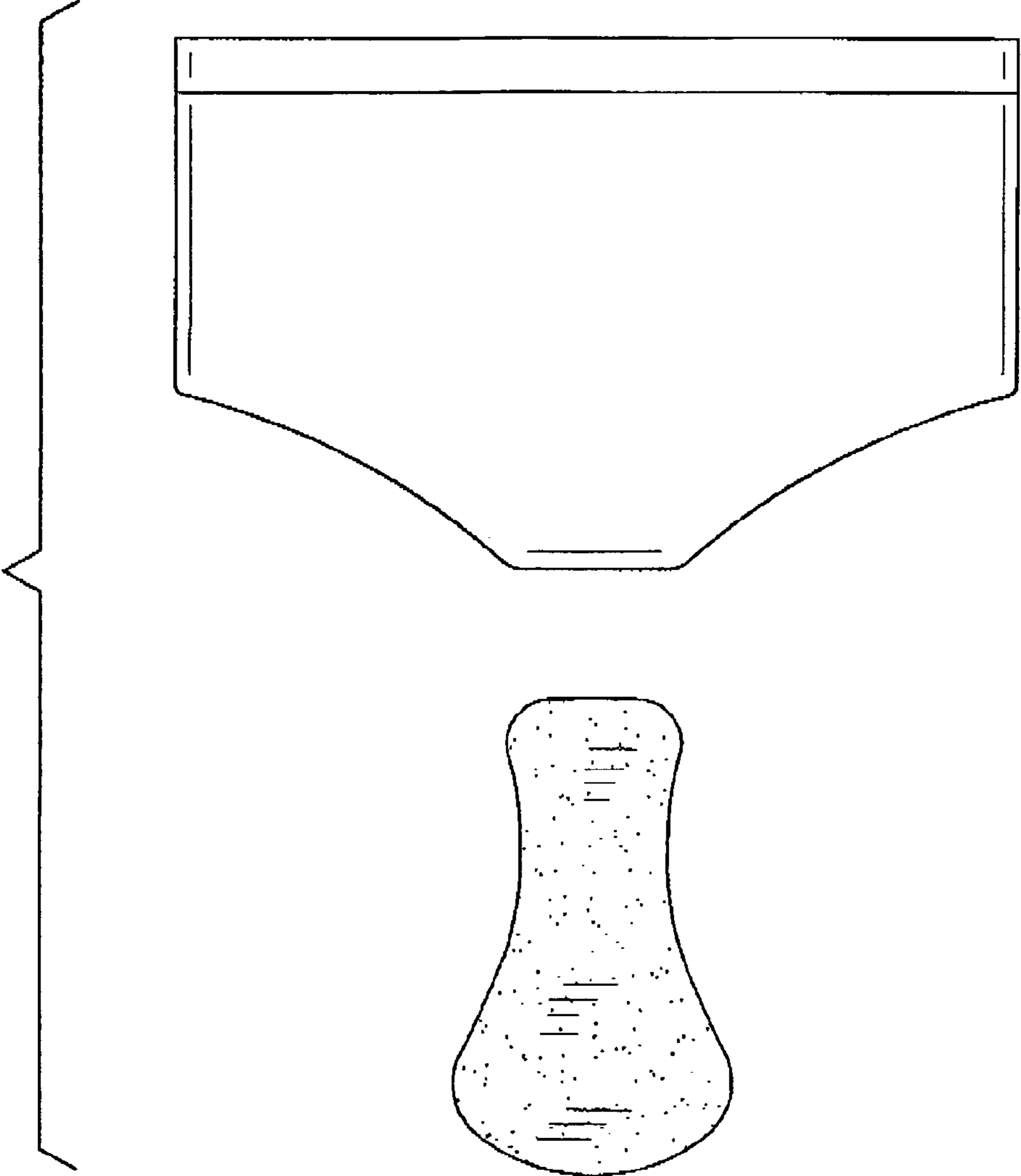


FIG. 2

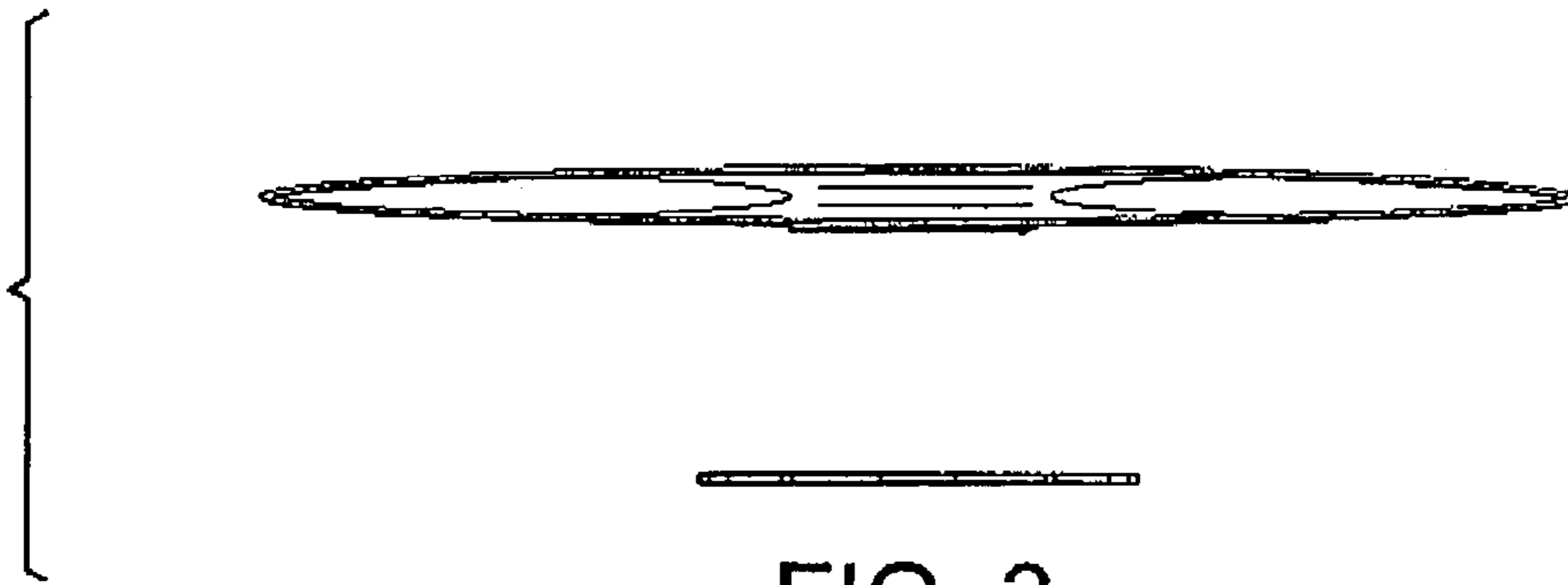


FIG. 3

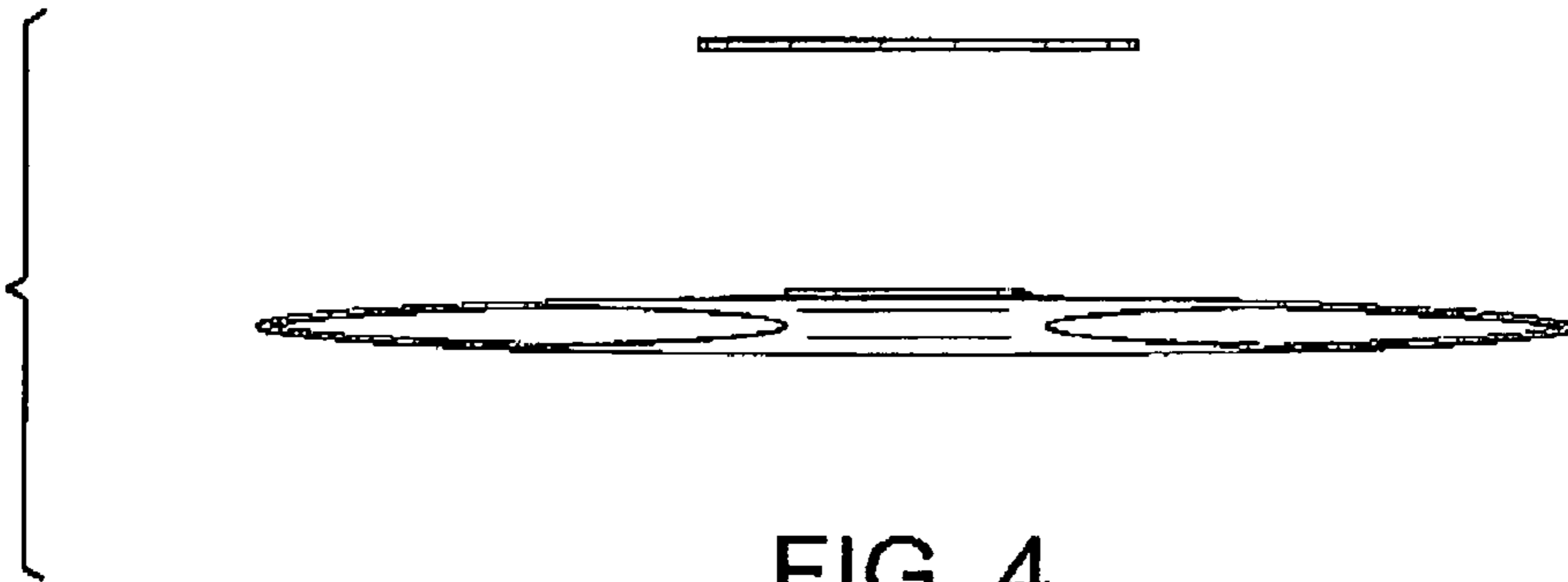


FIG. 4

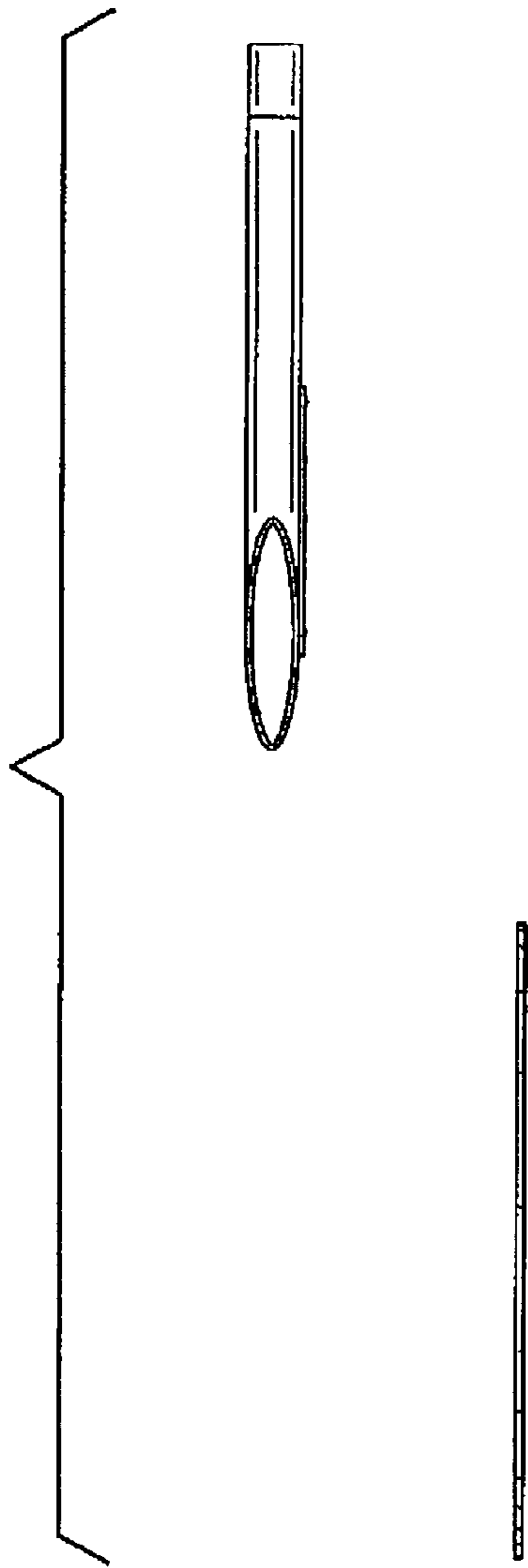


FIG. 5

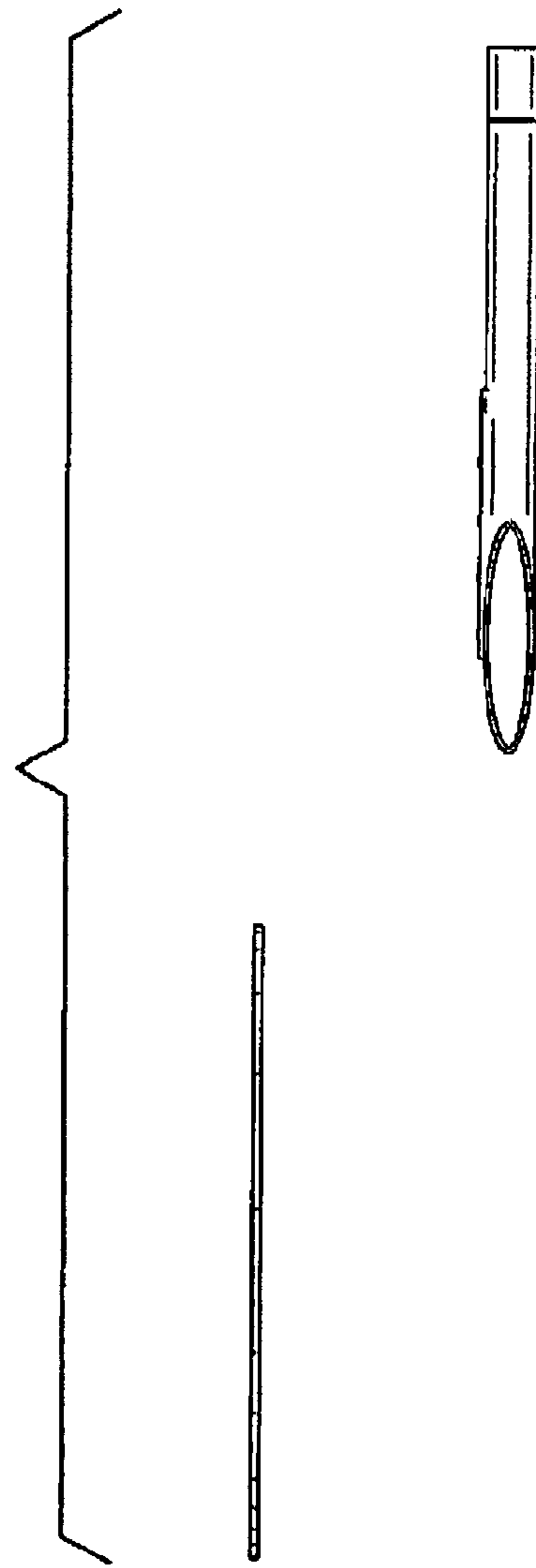


FIG. 6