

US00D571532S

(12) **United States Design Patent**
Gutierrez

(10) **Patent No.:** **US D571,532 S**
(45) **Date of Patent:** **** Jun. 24, 2008**

(54) **PENILE/SCROTAL PROTECTIVE GARMENT**

FOREIGN PATENT DOCUMENTS

(76) Inventor: **Alberto Gutierrez**, 7500 SW. 132nd Ave., Miami, FL (US) 33163

JP 2006291368 A * 10/2006
JP 2007135919 A * 6/2007

(**) Term: **14 Years**

* cited by examiner

(21) Appl. No.: **29/249,698**

Primary Examiner—Ian Simmons
Assistant Examiner—Rashida Johnson

(22) Filed: **Oct. 18, 2006**

(74) *Attorney, Agent, or Firm*—Darby & Darby; Robert J. Sacco

(51) **LOC (8) Cl.** **02-01**

(57) **CLAIM**

(52) **U.S. Cl.** **D2/713; D29/101.5**

(58) **Field of Classification Search** D2/700,
D2/712, 713, 716, 731, 738, 853, 856; 2/400–408,
2/227, 238; 602/56, 60, 61, 63, 67, 70; 128/842;
D29/101.5, 100

The ornamental design for a penile/scrotal protective garment, as shown and described.

See application file for complete search history.

DESCRIPTION

(56) **References Cited**

FIG. 1 is a top plan view of the penile/scrotal protective garment.

U.S. PATENT DOCUMENTS

FIG. 2 is a bottom plan view of the penile/scrotal protective garment.

- 792,424 A * 6/1905 King 128/96.1
- D269,919 S * 8/1983 Gabrelcik D2/712
- D288,485 S * 2/1987 Denno D24/112
- 5,094,234 A * 3/1992 Searcy 602/68
- 5,237,706 A * 8/1993 Nalbandian 2/403
- D392,788 S * 3/1998 Fitzgerald D2/701
- D399,987 S * 10/1998 Bradley D2/713
- 6,817,038 B2 * 11/2004 Blanco 2/406
- 6,862,746 B2 * 3/2005 Cym et al. 2/403
- D523,140 S * 6/2006 Bernal et al. D24/105
- D527,167 S * 8/2006 Connelly et al. D2/713
- 7,100,213 B2 * 9/2006 Krautbauer 2/403

FIG. 3 is a right side elevational view of the penile/scrotal protective garment.

FIG. 4 is a left side elevational view of the penile/scrotal protective garment.

FIG. 5 is a front elevational view of the penile/scrotal protective garment; and,

FIG. 6 is a rear elevational view of the penile/scrotal protective garment.

The broken lines shown in FIGS. 1–6 represent stitching.

1 Claim, 4 Drawing Sheets

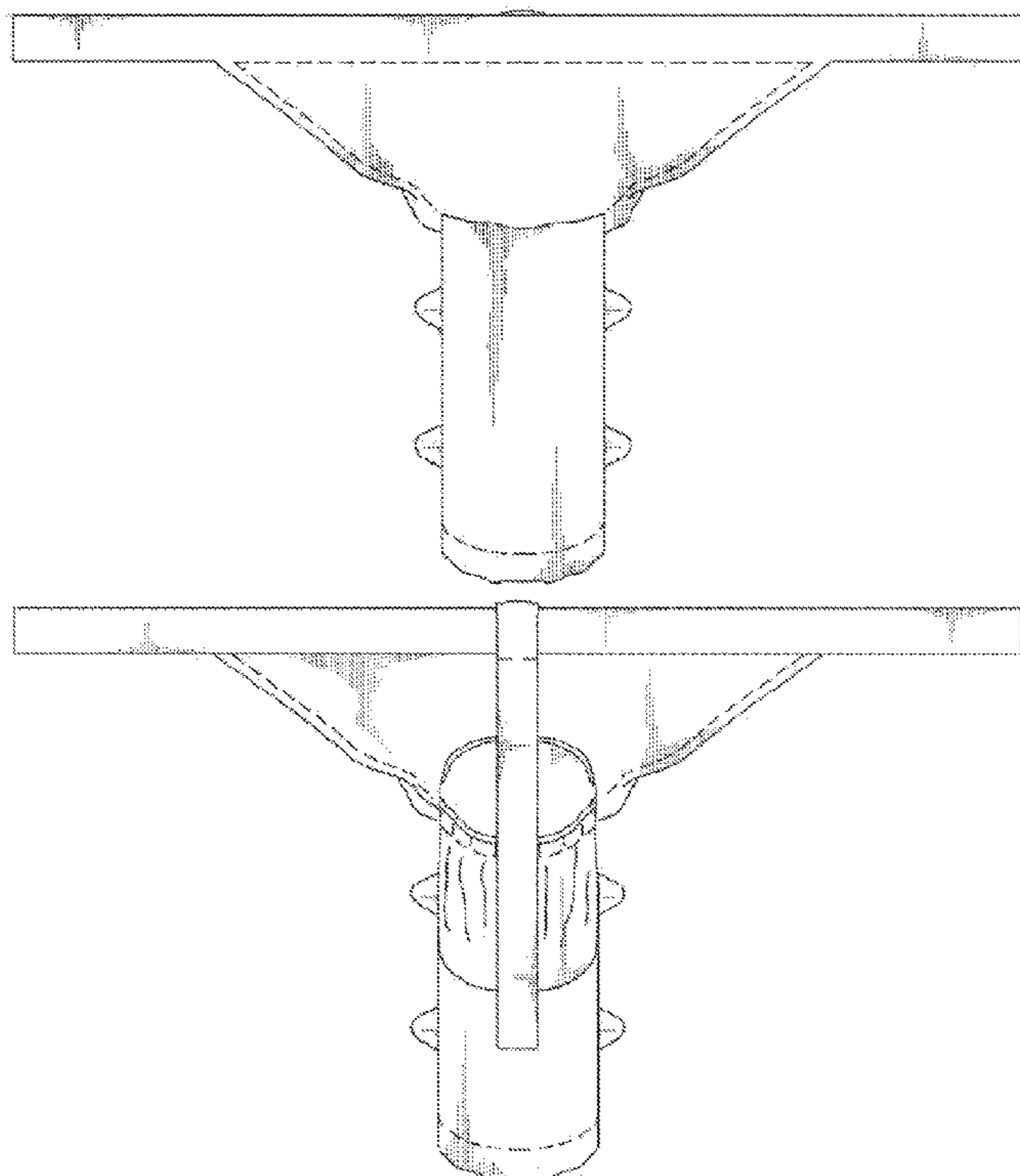


FIG. 1

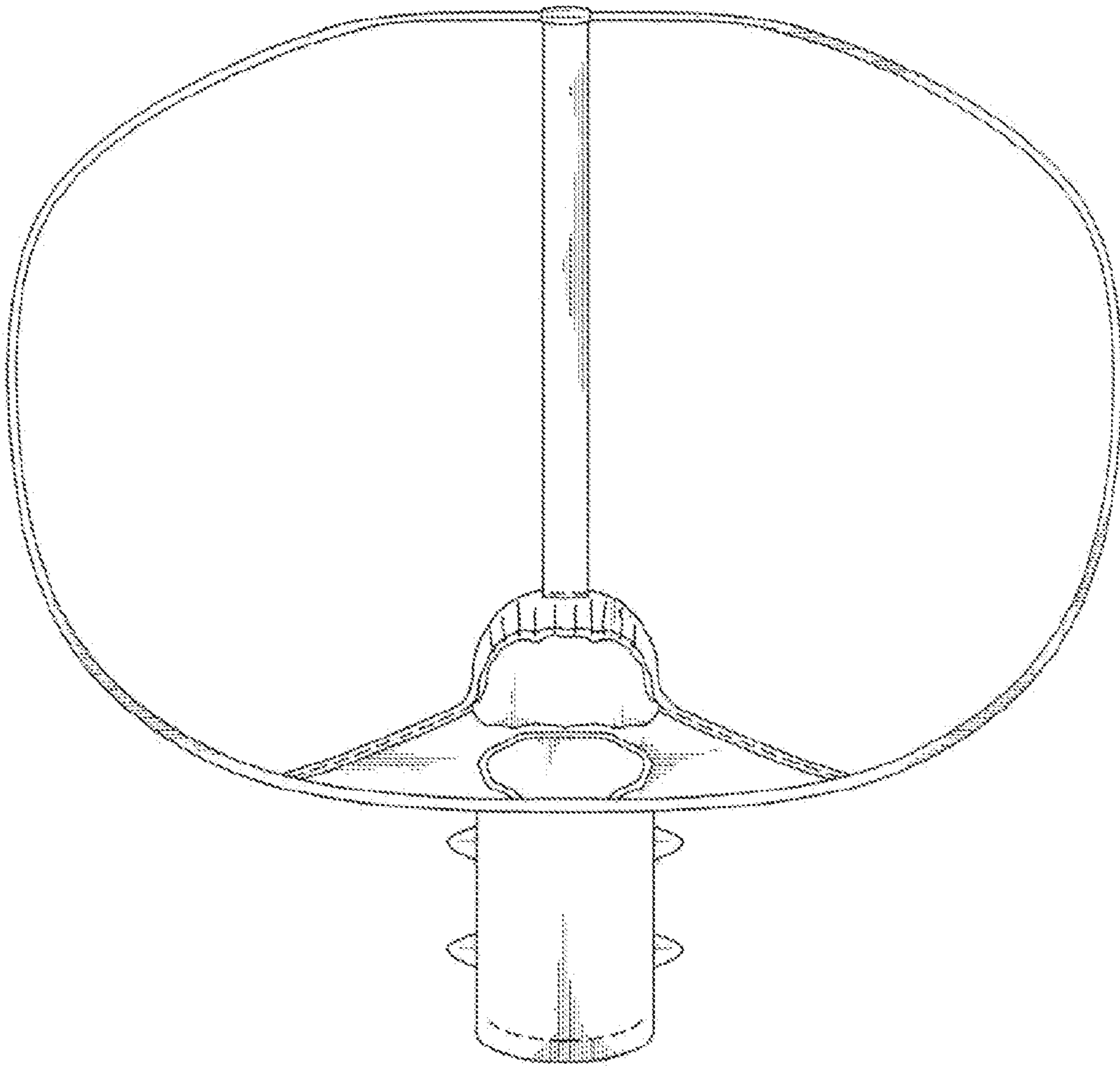


FIG. 2

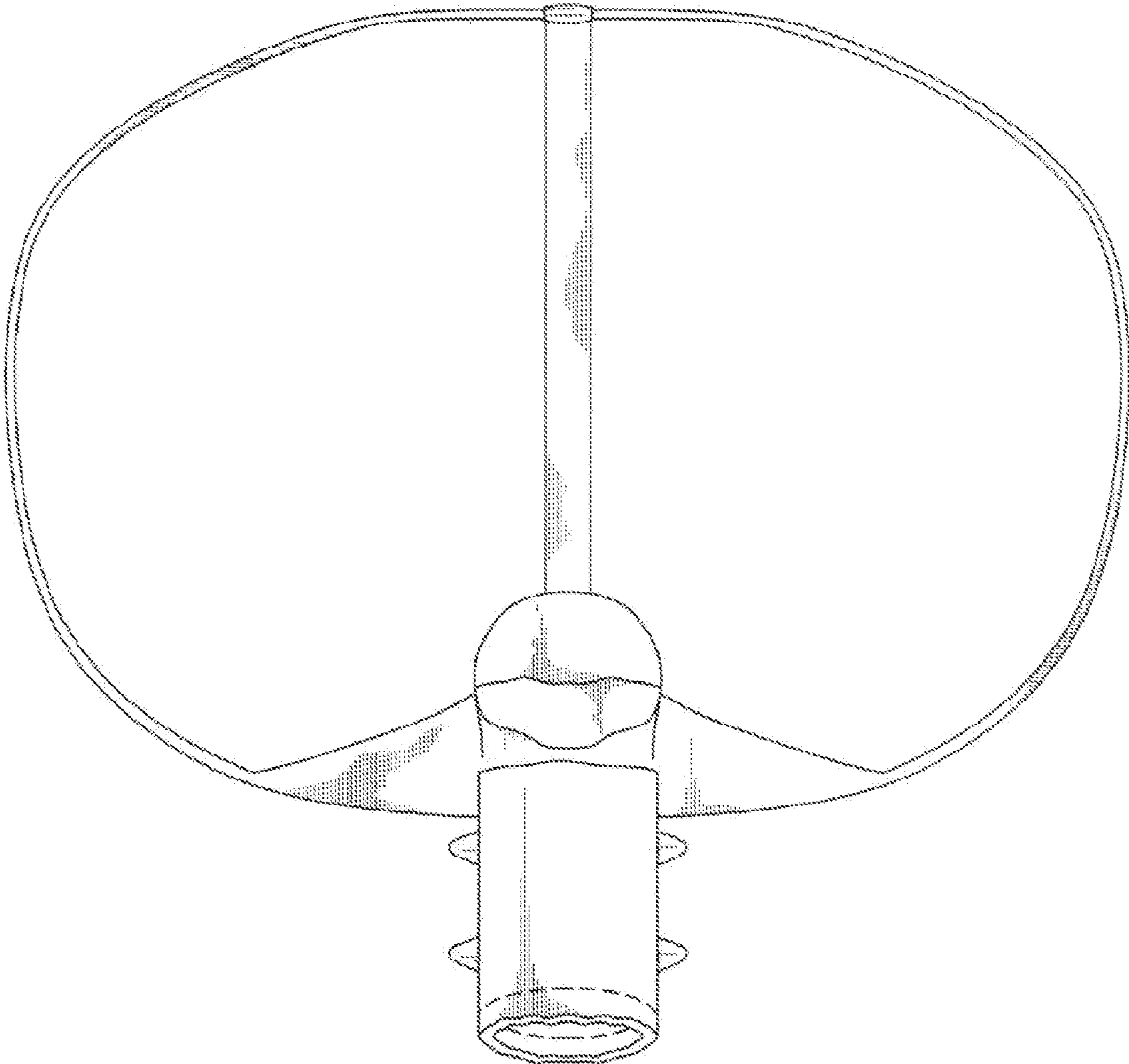


FIG. 3

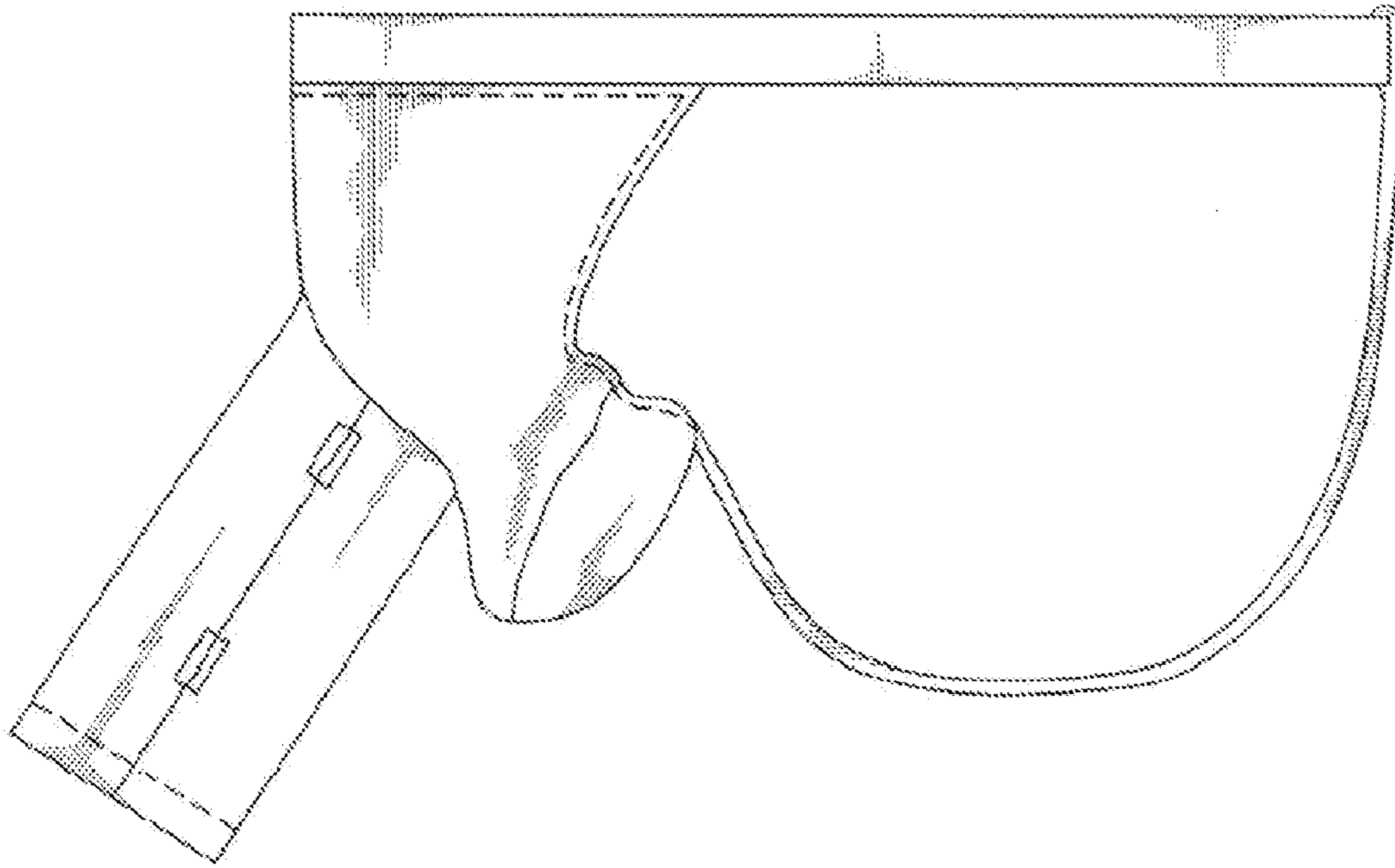


FIG. 4

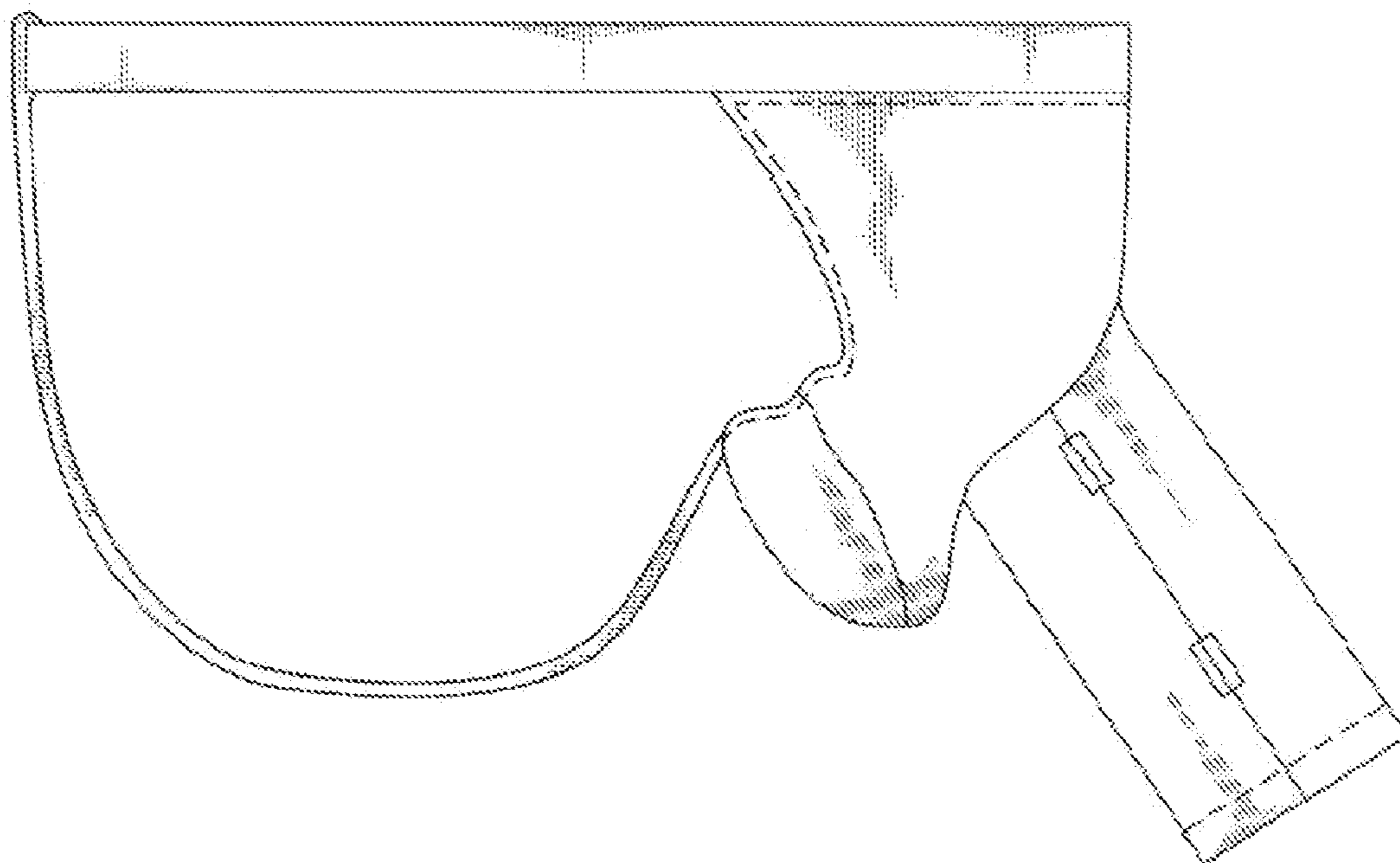


FIG. 5

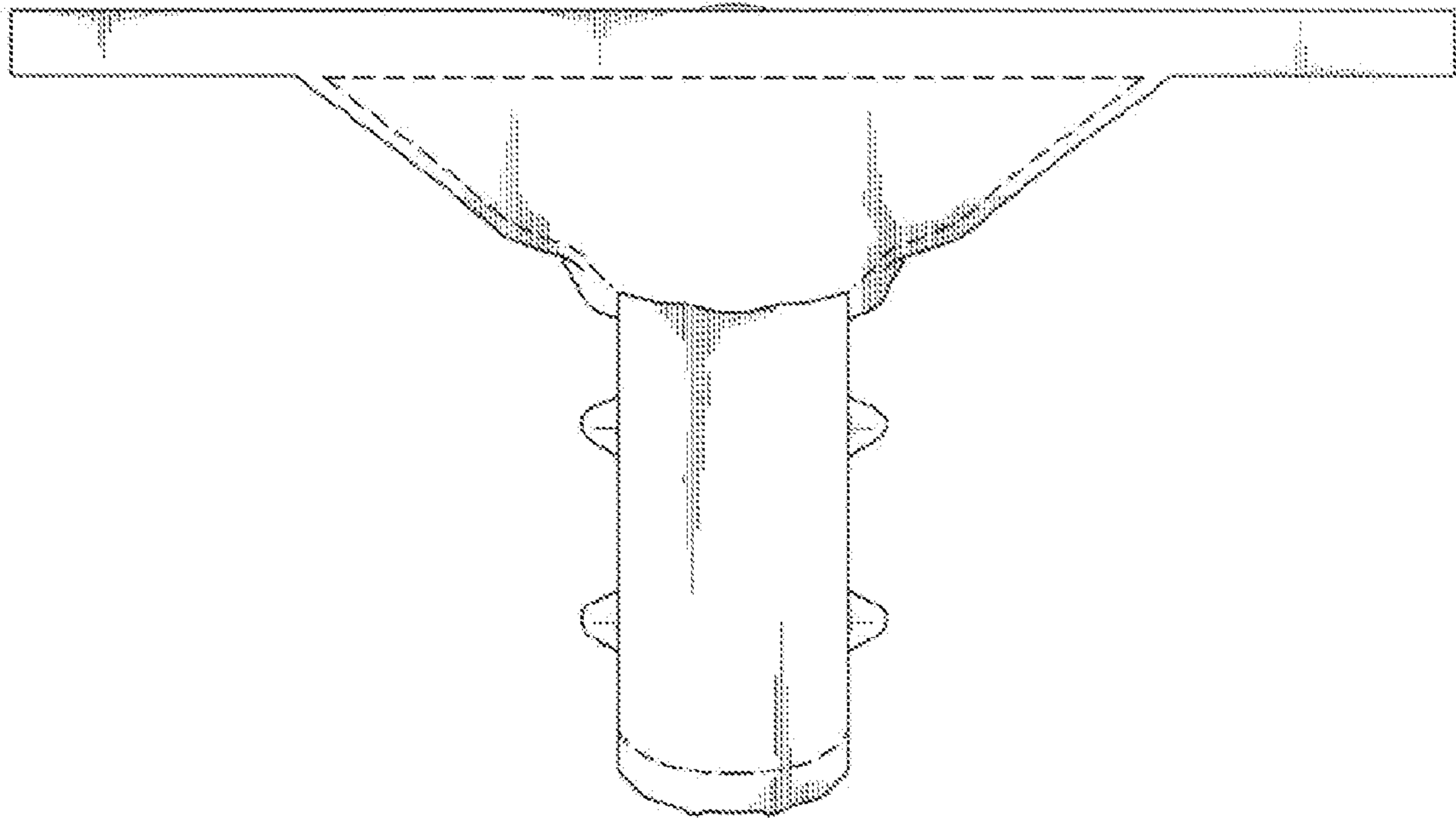


FIG. 6

