



US00D571525S

(12) **United States Design Patent**
Osiecki et al.

(10) **Patent No.:** **US D571,525 S**
(45) **Date of Patent:** **** Jun. 17, 2008**

(54) **DATA CONNECTION PORT FOR AN ESCUTCHEON PLATE**

(75) Inventors: **Scott W. Osiecki**, Skaneateles, NY (US);
Donwoong Kang, Syracuse, NY (US)

(73) Assignee: **John D. Brush & Co., Inc.**, Rochester, NY (US)

(**) Term: **14 Years**

(21) Appl. No.: **29/283,704**

(22) Filed: **Aug. 21, 2007**

(51) **LOC (8) Cl.** **99-00**

(52) **U.S. Cl.** **D99/43**

(58) **Field of Classification Search** D99/28,
D99/34-43, 99; D18/3.1-3.3; D14/385,
D14/448, 173, 307, 901, 146, 144, 151; 235/375-381,
235/100; 705/35, 43; 109/2, 24.1, 46, 47,
109/50, 51, 53, 54, 66, 83; 106/644; 70/1.5,
70/63, 118, 141, 418; 902/8, 9, 21, 30; 340/5.41;
428/341; D8/350-353; 312/204, 311, 217;
D21/519

See application file for complete search history.

(56) **References Cited**

U.S. PATENT DOCUMENTS

262,103	A *	8/1882	Newbury	70/1.5
2,314,646	A *	3/1943	Keats	292/1
D166,499	S *	4/1952	Rutan	D99/43
2,823,536	A *	2/1958	Watson	70/1.5
D232,644	S *	9/1974	Barrett	D99/28
D274,143	S *	6/1984	Topel	D14/256
5,066,079	A *	11/1991	Lawrence	312/204
5,156,030	A *	10/1992	Hill et al.	70/63
D380,793	S *	7/1997	Conwell	D21/519
D432,286	S *	10/2000	Irie	D99/34
D433,553	S *	11/2000	Goldstein	D99/43
D485,041	S *	1/2004	Paris et al.	D99/28
D485,960	S *	1/2004	Paris et al.	D99/43
D498,895	S *	11/2004	Lynch et al.	D99/28
D505,530	S *	5/2005	Nelson et al.	D99/43
D514,430	S *	2/2006	Osiecki et al.	D8/350
D519,260	S *	4/2006	Valentine	D99/43
D527,615	S *	9/2006	Osiecki et al.	D8/350
7,201,407	B2 *	4/2007	Schlack	292/139

D557,875 S * 12/2007 Stuhlberg et al. D99/28
2004/0205936 A1 * 10/2004 Denys 16/412

* cited by examiner

Primary Examiner—Robert M. Spear

Assistant Examiner—Susan E Krakower

(74) *Attorney, Agent, or Firm*—Jaeckle Fleischmann & Mugel, LLP

(57) **CLAIM**

The ornamental design for a data connection port for an escutcheon plate, as shown and described.

DESCRIPTION

FIG. 1 is a right front perspective view of a first embodiment of a data connection port for an escutcheon plate according to the present invention;

FIG. 2 is a front view of the data connection port shown in FIG. 1;

FIG. 3 is a right side view of the data connection port shown in FIG. 1;

FIG. 4 is a top view of the data connection port shown in FIG. 1;

FIG. 5 is a bottom view of the data connection port shown in FIG. 1;

FIG. 6 is a right front perspective view of a second embodiment of a data connection port for an escutcheon plate according to the present invention;

FIG. 7 is a front view of the data connection port shown in FIG. 6;

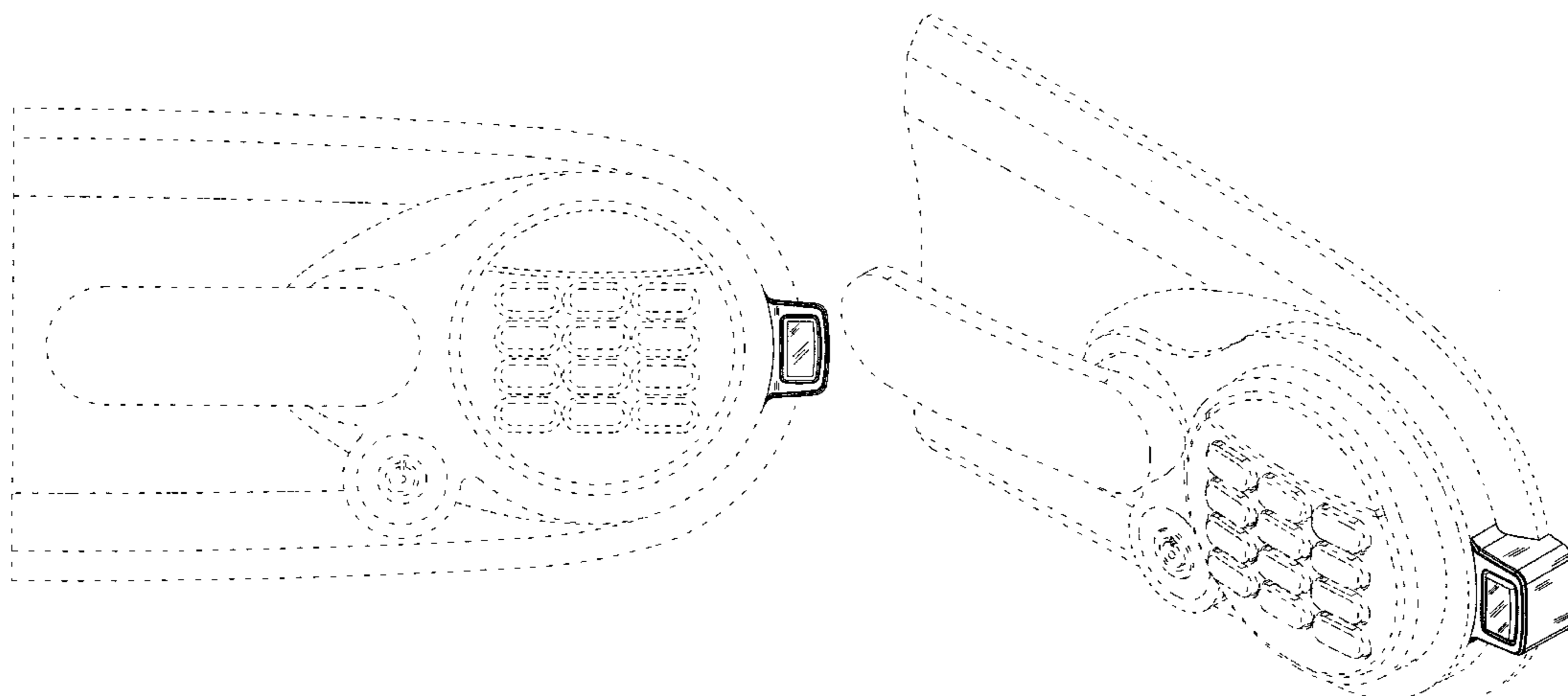
FIG. 8 is a right side view of the data connection port shown in FIG. 6;

FIG. 9 is a top view of the data connection port shown in FIG. 6; and,

FIG. 10 is a bottom view of the data connection port shown in FIG. 6.

The portions of the drawings shown in broken lines represent environmental structure and form no part of the claimed design.

1 Claim, 10 Drawing Sheets



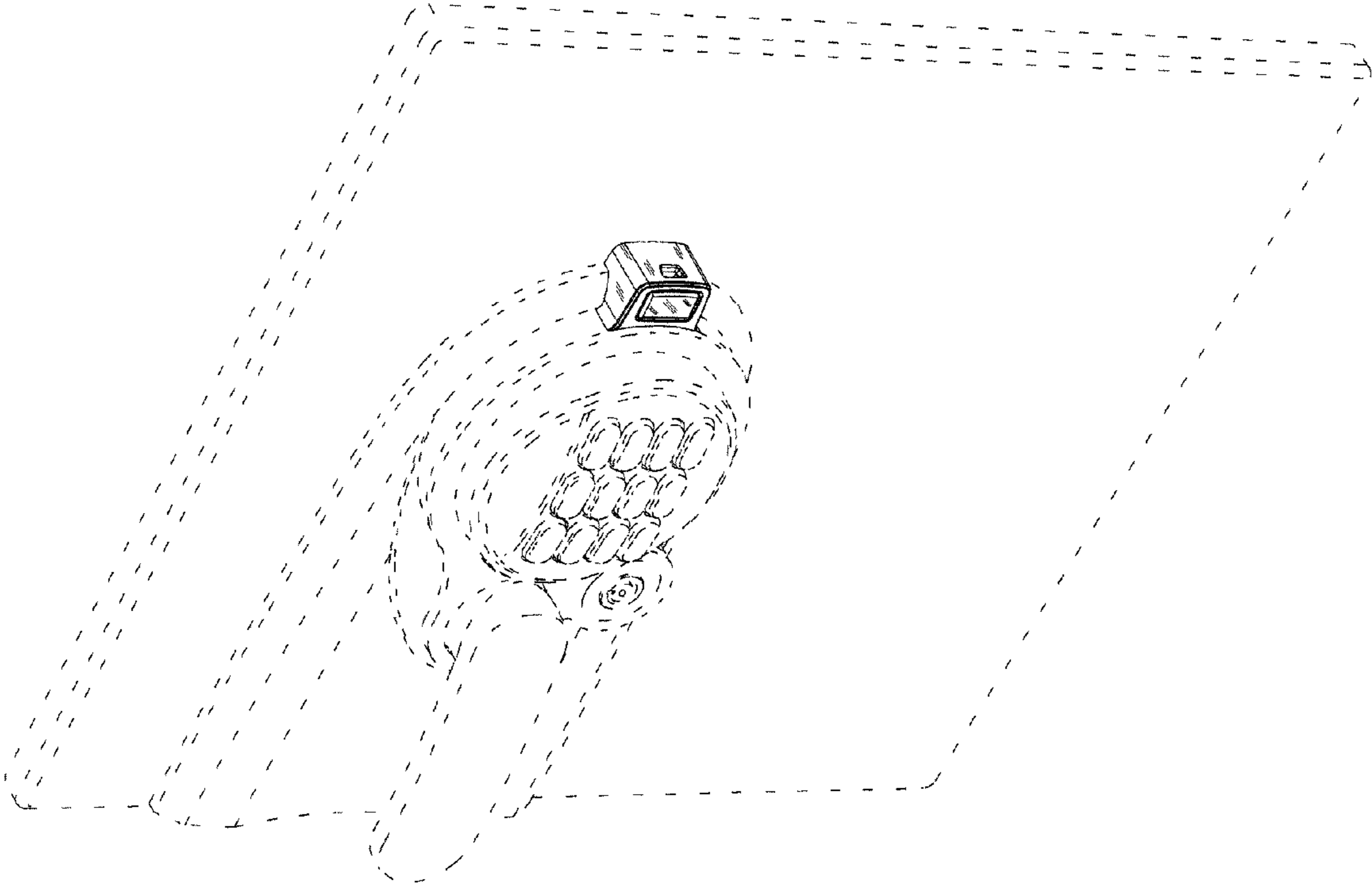


FIG.1

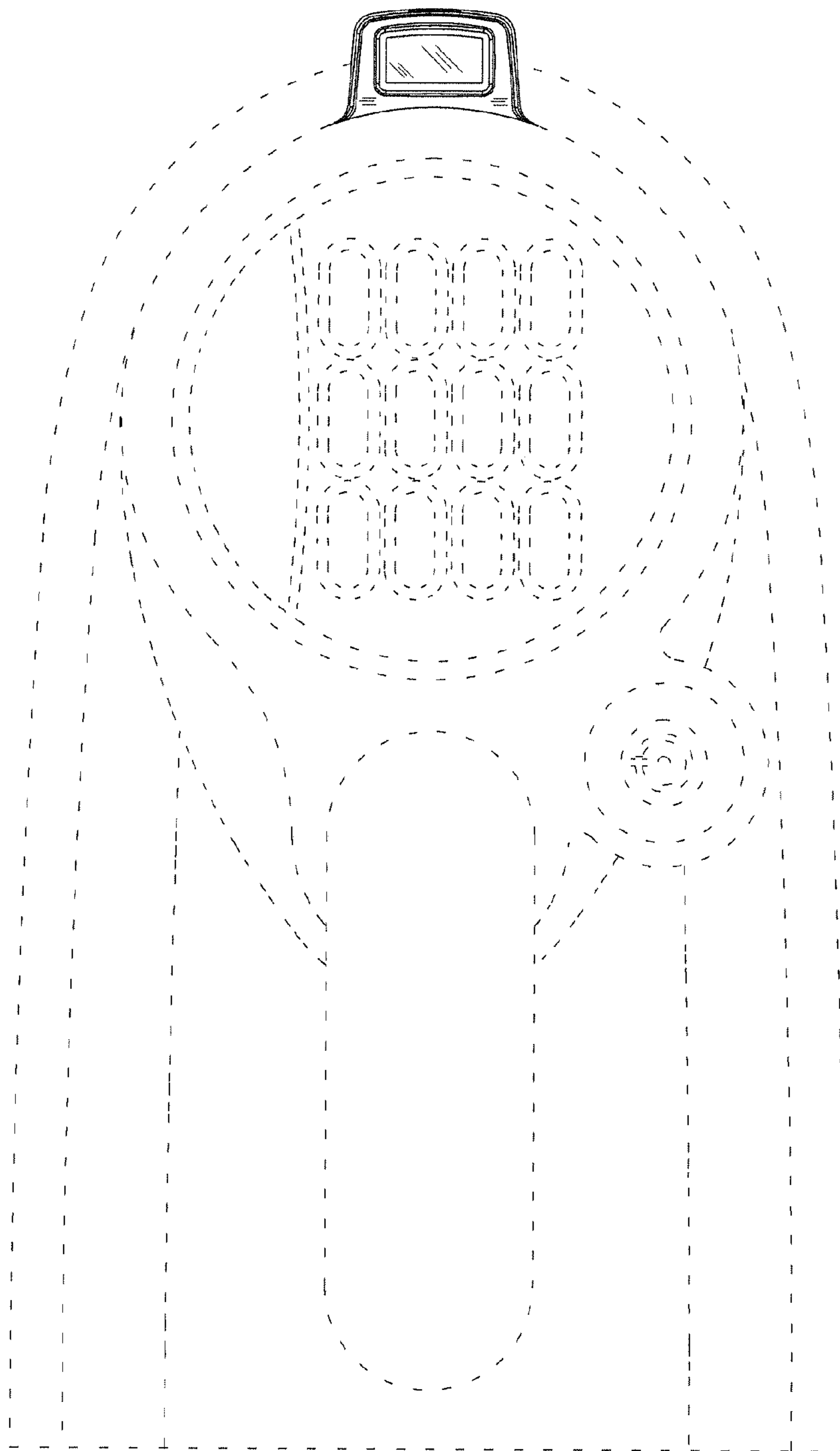


FIG. 2

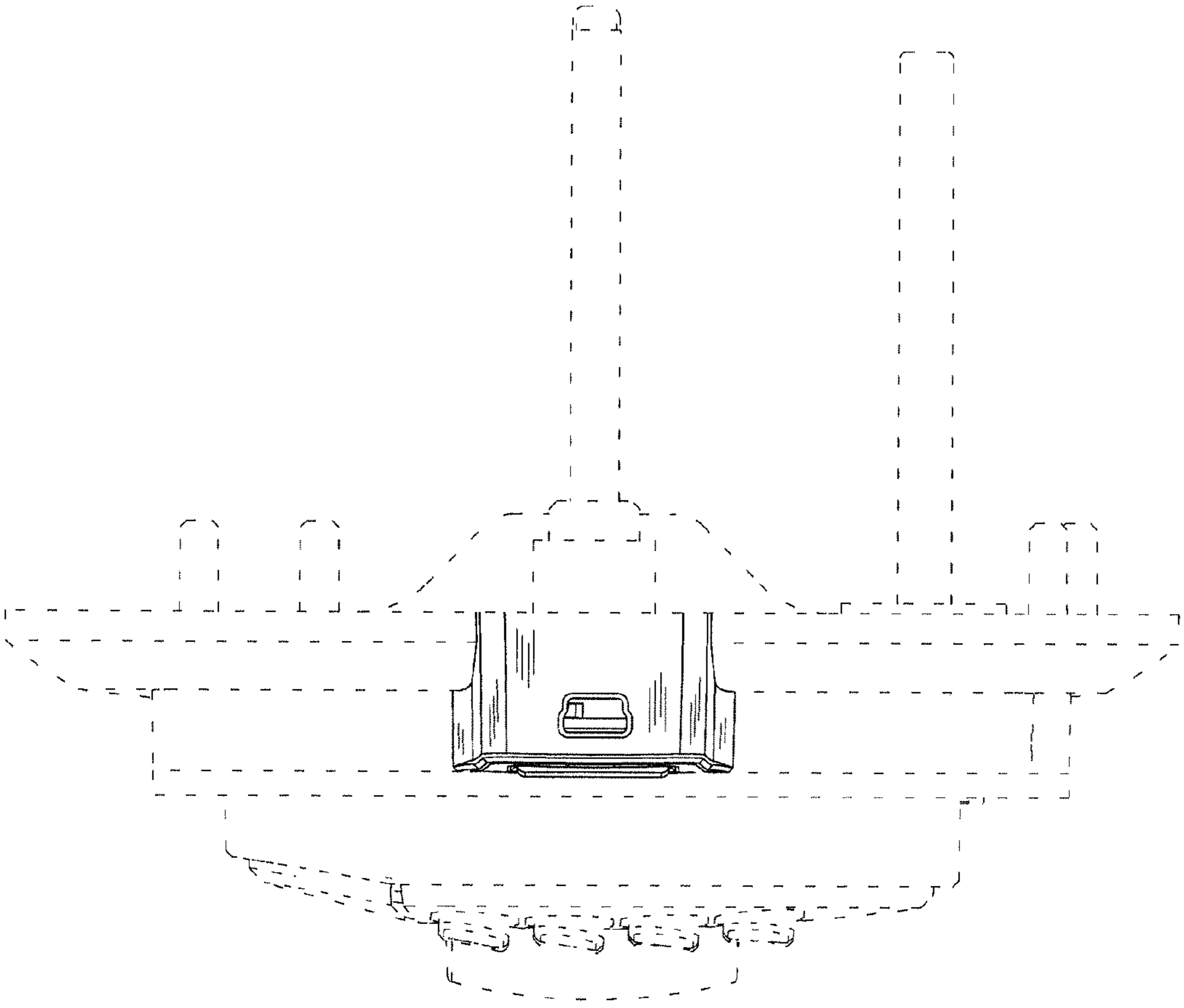


FIG.3

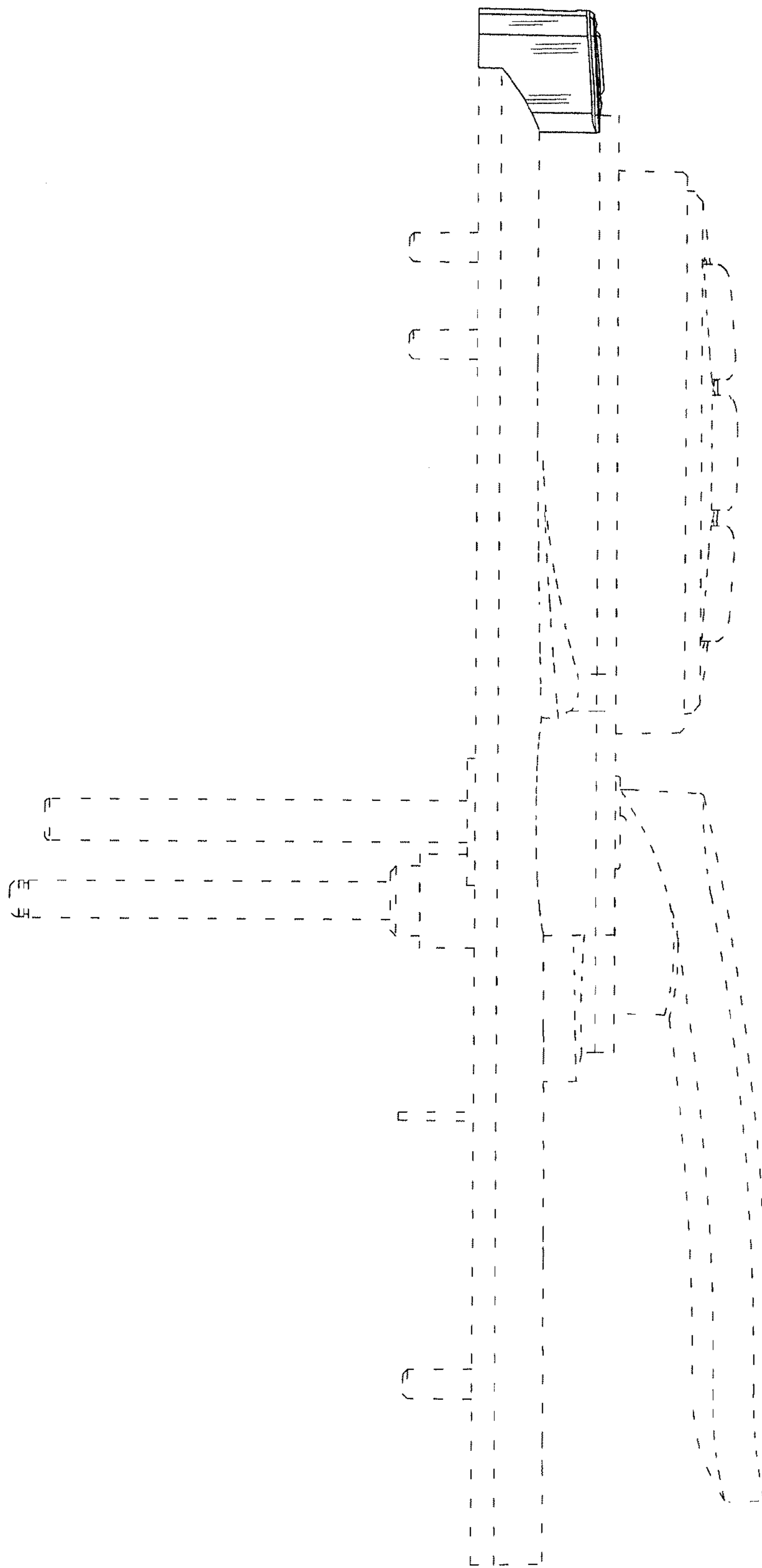


FIG. 4

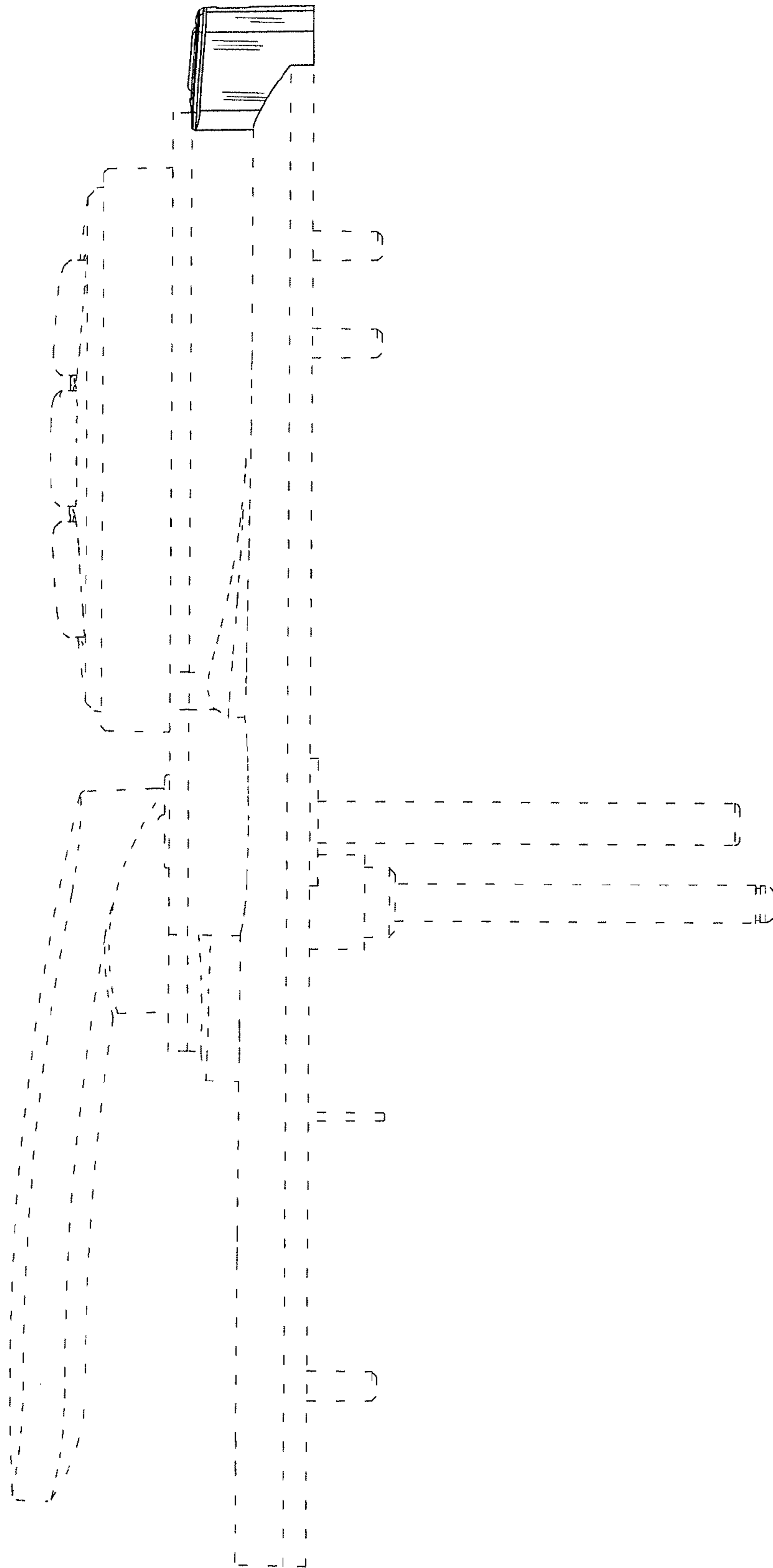


FIG. 5

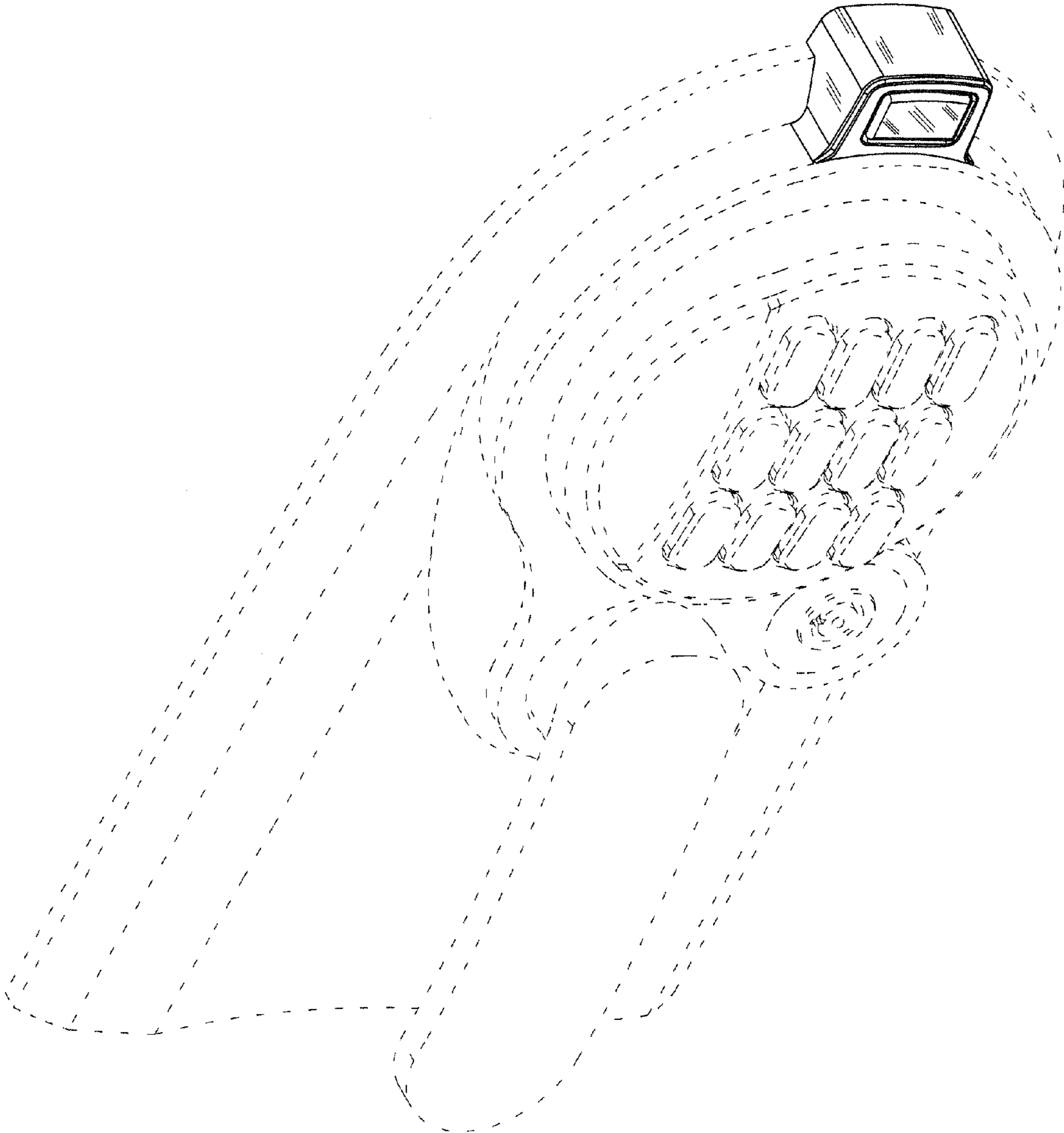


FIG. 6

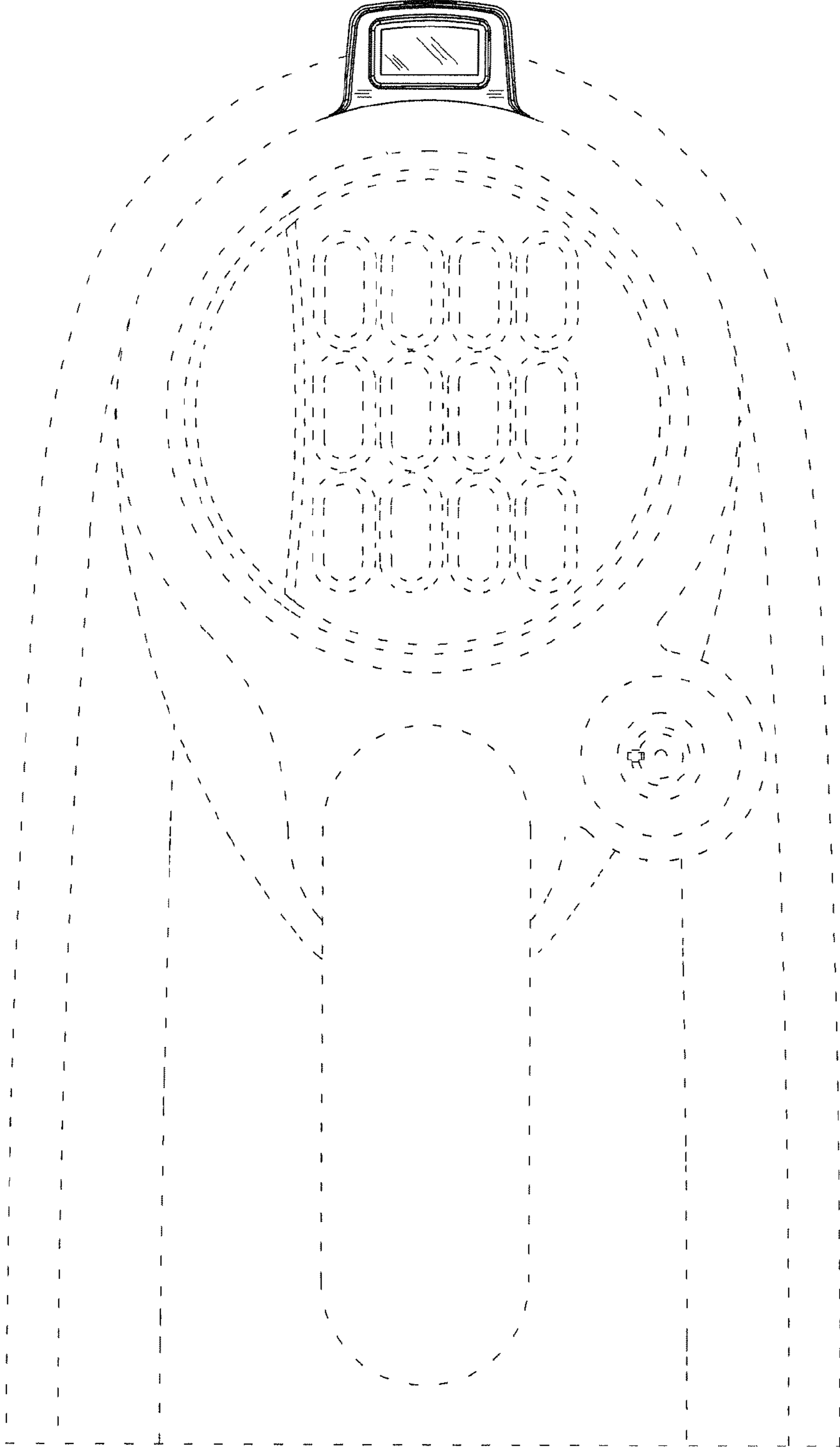


FIG. 7

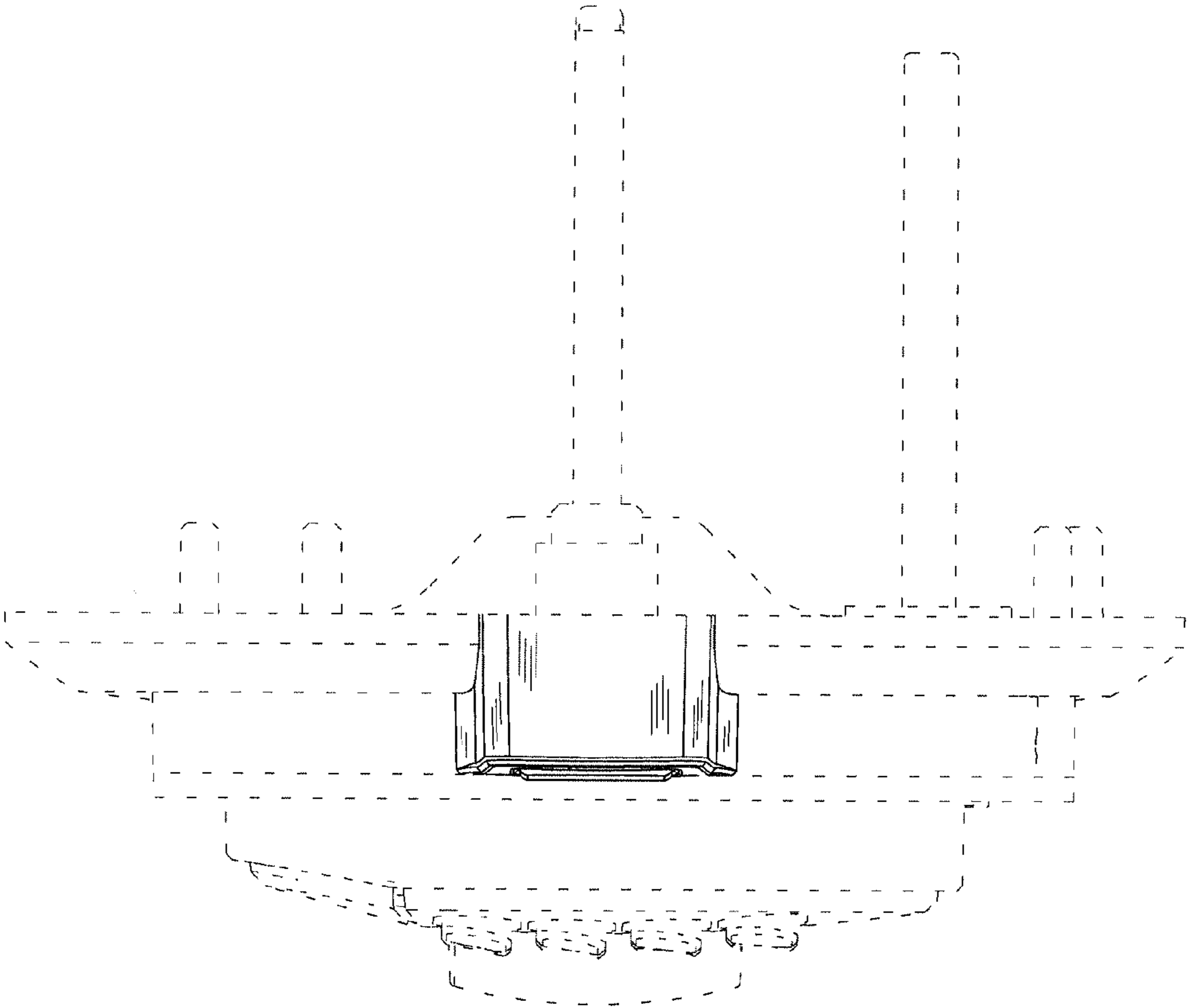


FIG. 8

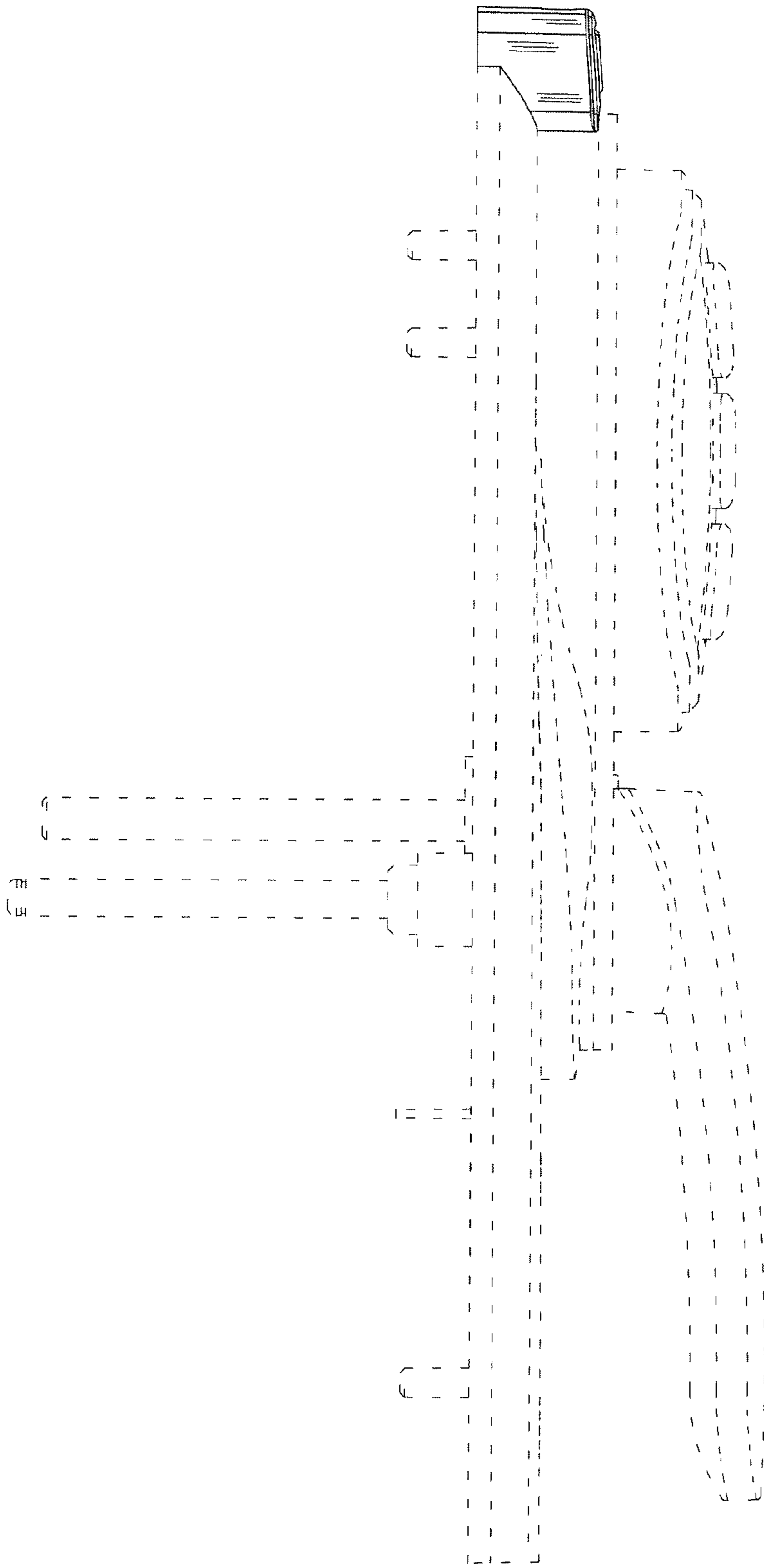


FIG. 9

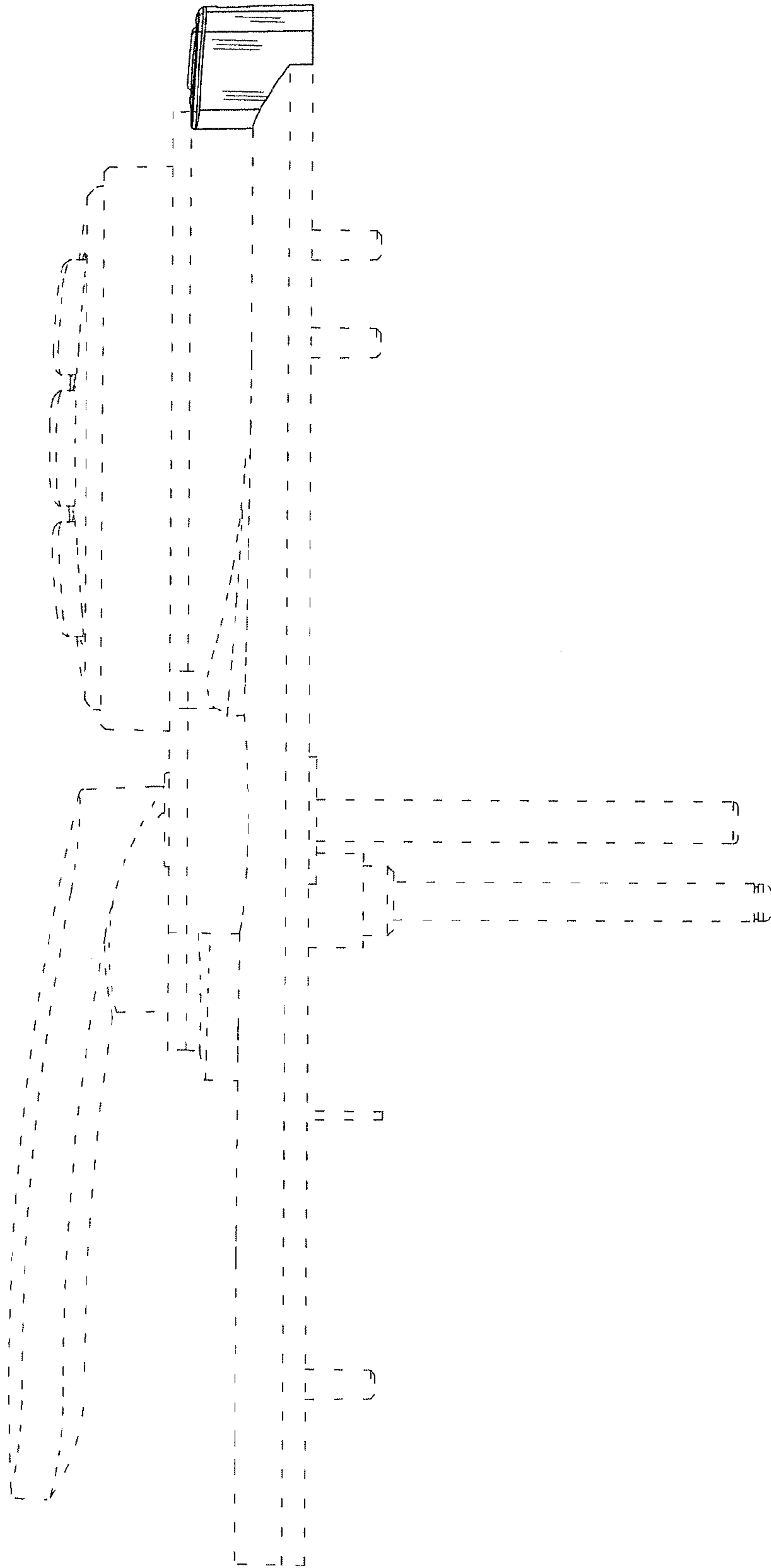


FIG. 10