



US00D571524S

(12) **United States Design Patent**
Kang et al.

(10) **Patent No.:** **US D571,524 S**
(45) **Date of Patent:** **** Jun. 17, 2008**

(54) **PROTECTIVE ENCLOSURE**

(75) Inventors: **Donwoong Kang**, Syracuse, NY (US);
Scott W. Osiecki, Skaneateles, NY
(US)

(73) Assignee: **John D. Brush & Co., Inc.**, Rochester,
NY (US)

(**) Term: **14 Years**

(21) Appl. No.: **29/277,724**

(22) Filed: **Mar. 8, 2007**

(51) **LOC (8) Cl.** **06-04**

(52) **U.S. Cl.** **D99/28**

(58) **Field of Classification Search** D99/28,
D99/34-43, 99; D18/3.1-3.3; D14/385,
D14/448, 173, 307, 901, 146, 144, 151; 235/375-381,
235/100; 705/35, 43; 109/2, 24.1, 50, 53,
109/66, 83; 106/644; 52/659, 73; 902/8,
902/9, 21, 30; 340/5.41; 348/150; D20/1,
D20/2; D25/16; 361/681, 683, 686, 687,
361/694; D6/573, 634; D3/201, 291, 294,
D3/276, 273; 194/202, 379, 381; 206/8,
206/815

See application file for complete search history.

(56) **References Cited**

U.S. PATENT DOCUMENTS

D236,291 S *	8/1975	Schurman	D6/632
D266,114 S *	9/1982	Berkheij	D99/34
D273,908 S *	5/1984	Hoogeveen	D99/28
D289,582 S *	5/1987	Brush et al.	D3/281
D291,139 S *	7/1987	Warwicker	D99/28
D371,906 S *	7/1996	Peters	D3/281
D374,347 S *	10/1996	Burns et al.	D3/282

(Continued)

Primary Examiner—Robert M. Spear

Assistant Examiner—Susan E Krakower

(74) *Attorney, Agent, or Firm*—Jaeckle Fleischmann &
Mugel, LLP

(57) **CLAIM**

The ornamental design for a protective enclosure, as shown and described.

DESCRIPTION

FIG. 1 is a right front perspective view of a first embodiment of a protective enclosure according to the present invention; FIG. 2 is a front view of the protective enclosure shown in FIG. 1;

FIG. 3 is a right side view of the protective enclosure shown in FIG. 1;

FIG. 4 is a bottom view of the protective enclosure shown in FIG. 1;

FIG. 5 is a rear perspective view of the protective enclosure shown in FIG. 1;

FIG. 6 is a rear view of the protective enclosure shown in FIG. 1;

FIG. 7 is a top view of the protective enclosure shown in FIG. 1;

FIG. 8 is right front perspective view of a second embodiment of a protective enclosure according to the present invention;

FIG. 9 is a front view of the protective enclosure shown in FIG. 8;

FIG. 10 is a right side view of the protective enclosure shown in FIG. 8;

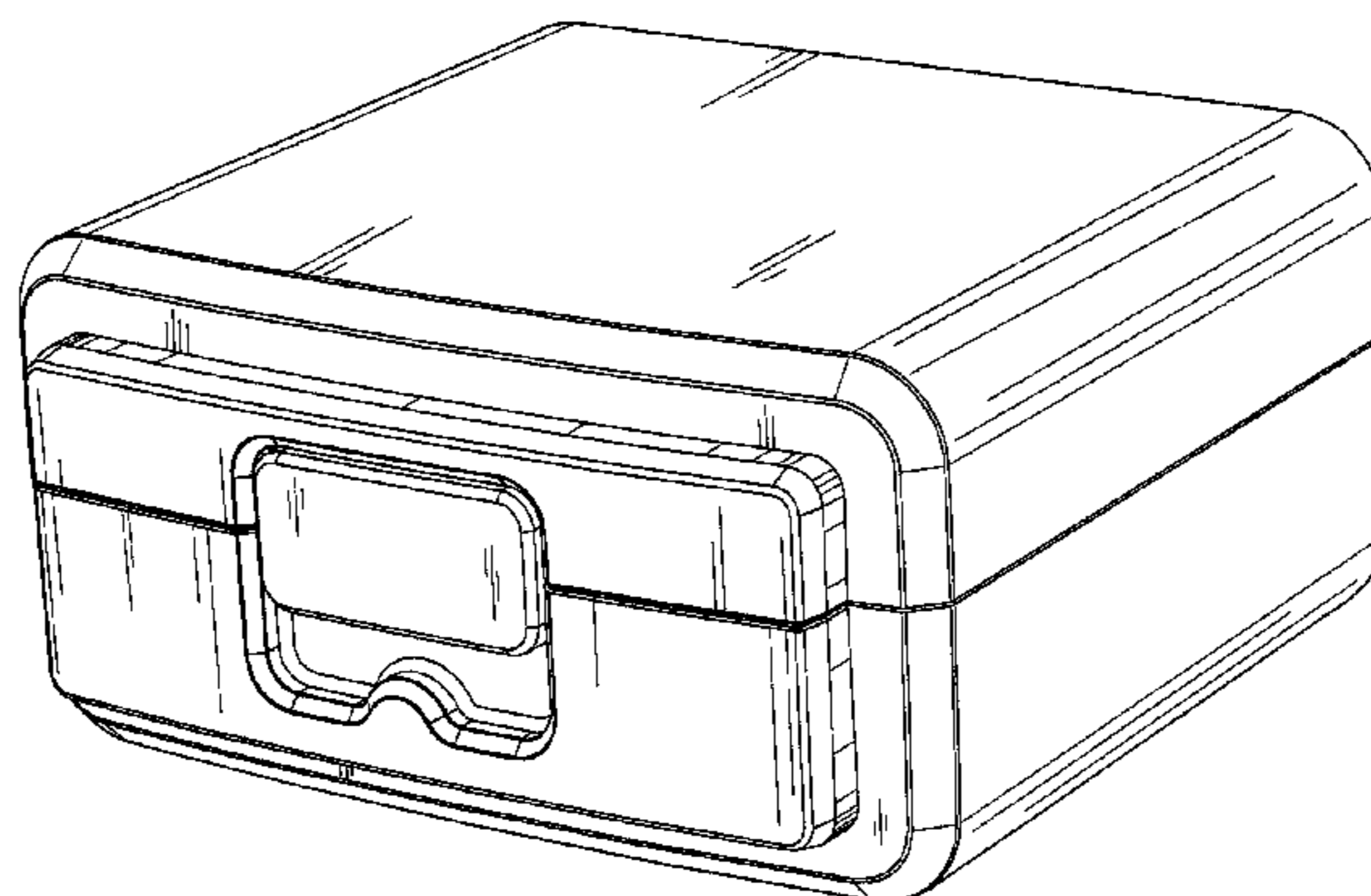
FIG. 11 is a bottom view of the protective enclosure shown in FIG. 8;

FIG. 12 is a rear perspective view of the protective enclosure shown in FIG. 8;

FIG. 13 is a rear view of the protective enclosure shown in FIG. 8; and,

FIG. 14 is a top view of the protective enclosure shown in FIG. 8.

1 Claim, 14 Drawing Sheets



US D571,524 S

Page 2

U.S. PATENT DOCUMENTS

D393,526 S *	4/1998	Robey et al.	D99/28	D489,158 S *	4/2004	VanKeulen et al.	D99/28
D454,689 S *	3/2002	Gonda et al.	D3/294	D520,237 S *	5/2006	Cheng	D3/276
D461,617 S *	8/2002	Gardner	D99/28	D528,735 S *	9/2006	Osiecki et al.	D99/43
D465,330 S *	11/2002	Parker	D3/273	D541,045 S *	4/2007	Peart et al.	D3/291
D474,596 S *	5/2003	Osiecki et al.	D3/273	D558,977 S *	1/2008	Peart et al.	D3/294
D482,840 S *	11/2003	Magee et al.	D99/28				

* cited by examiner

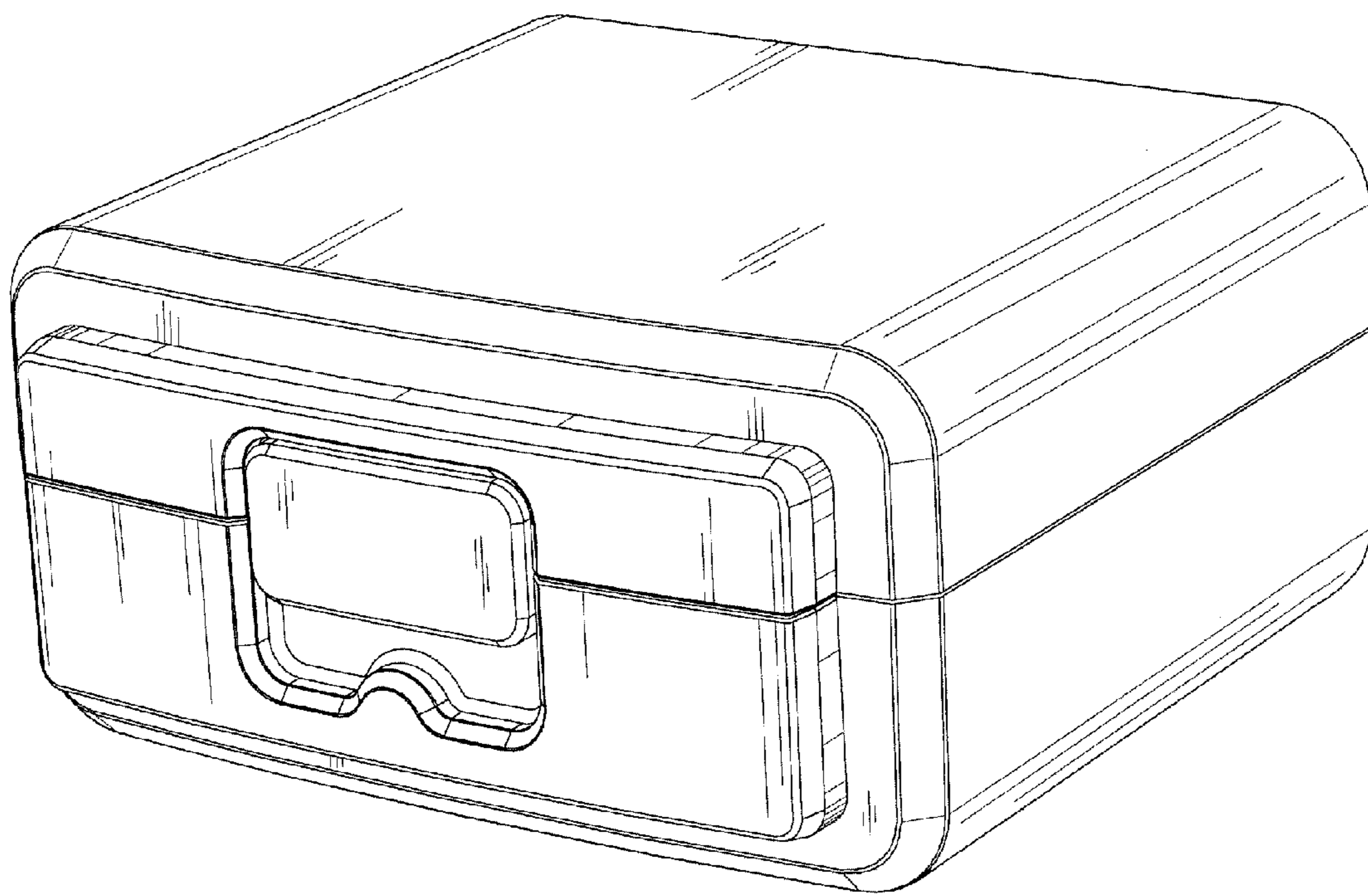


FIG. 1

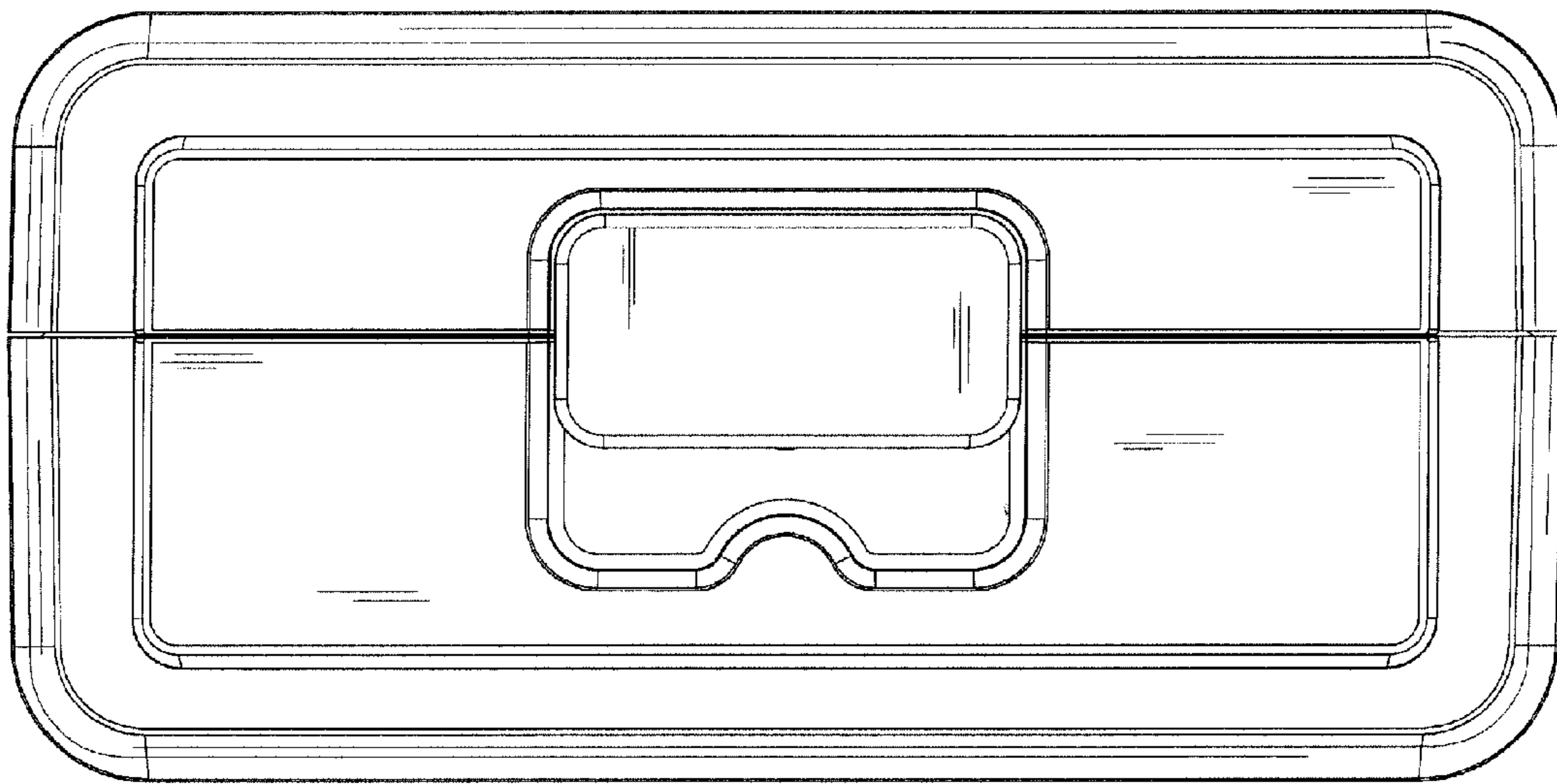


FIG. 2

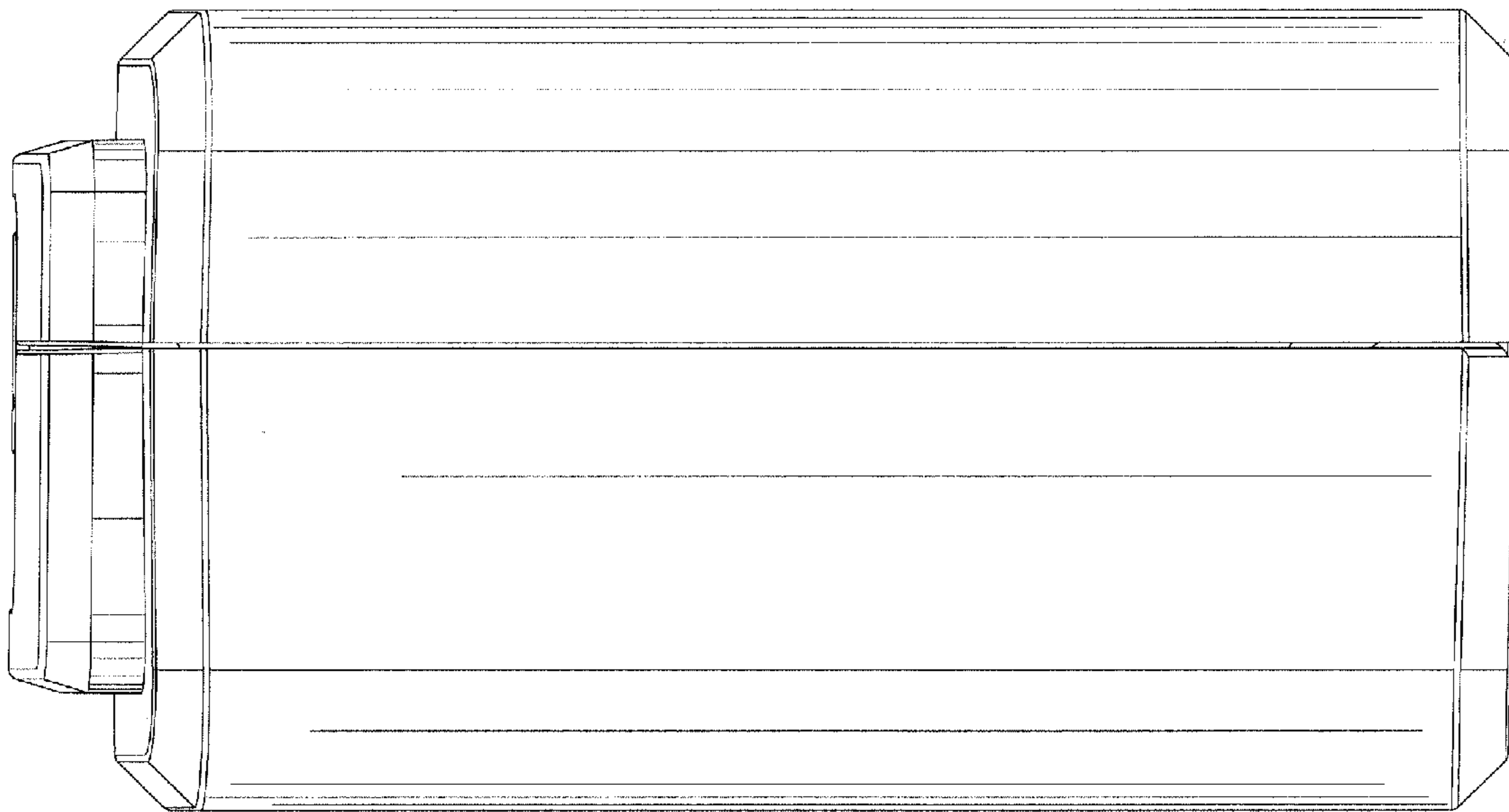


FIG. 3

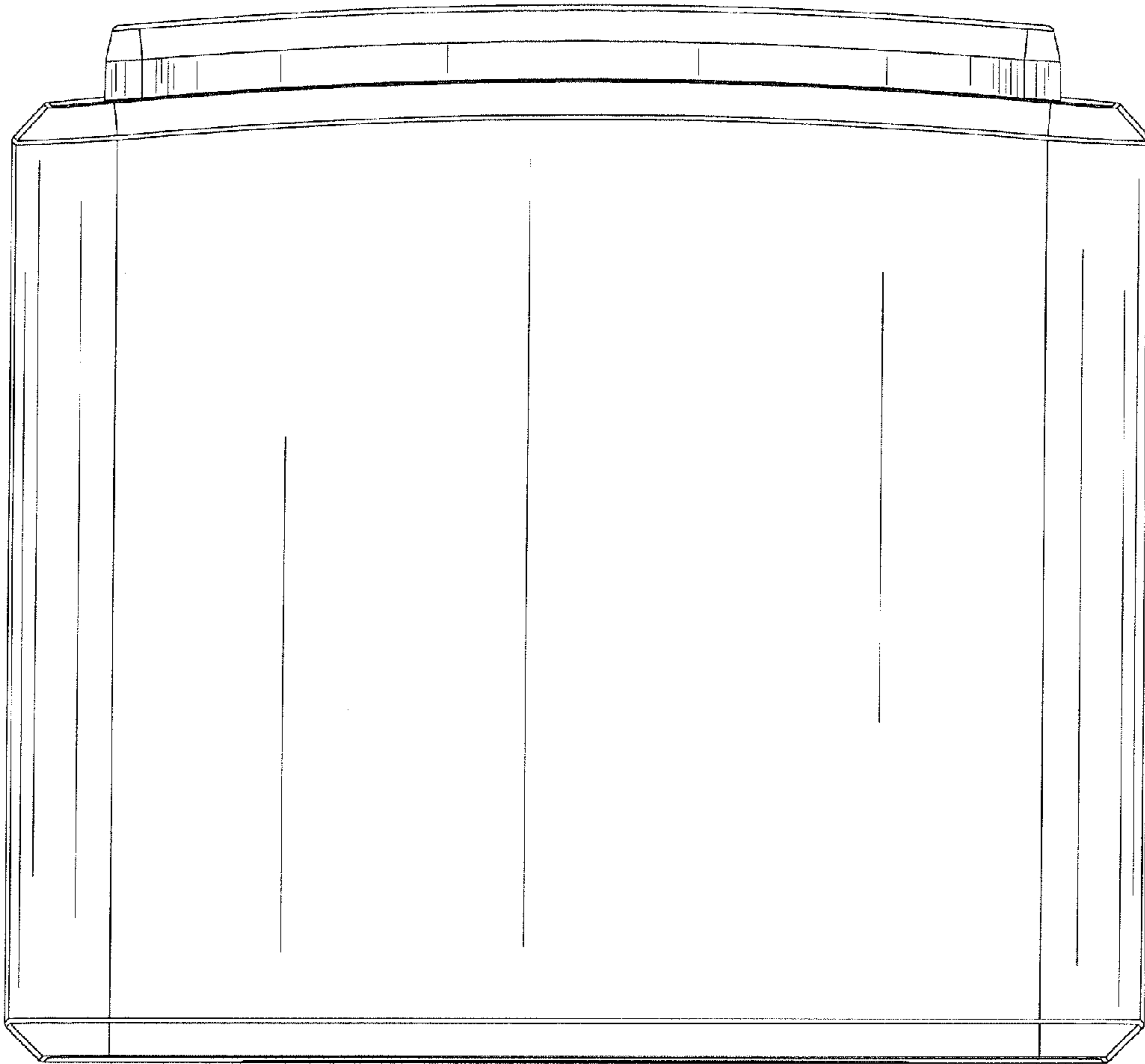


FIG. 4

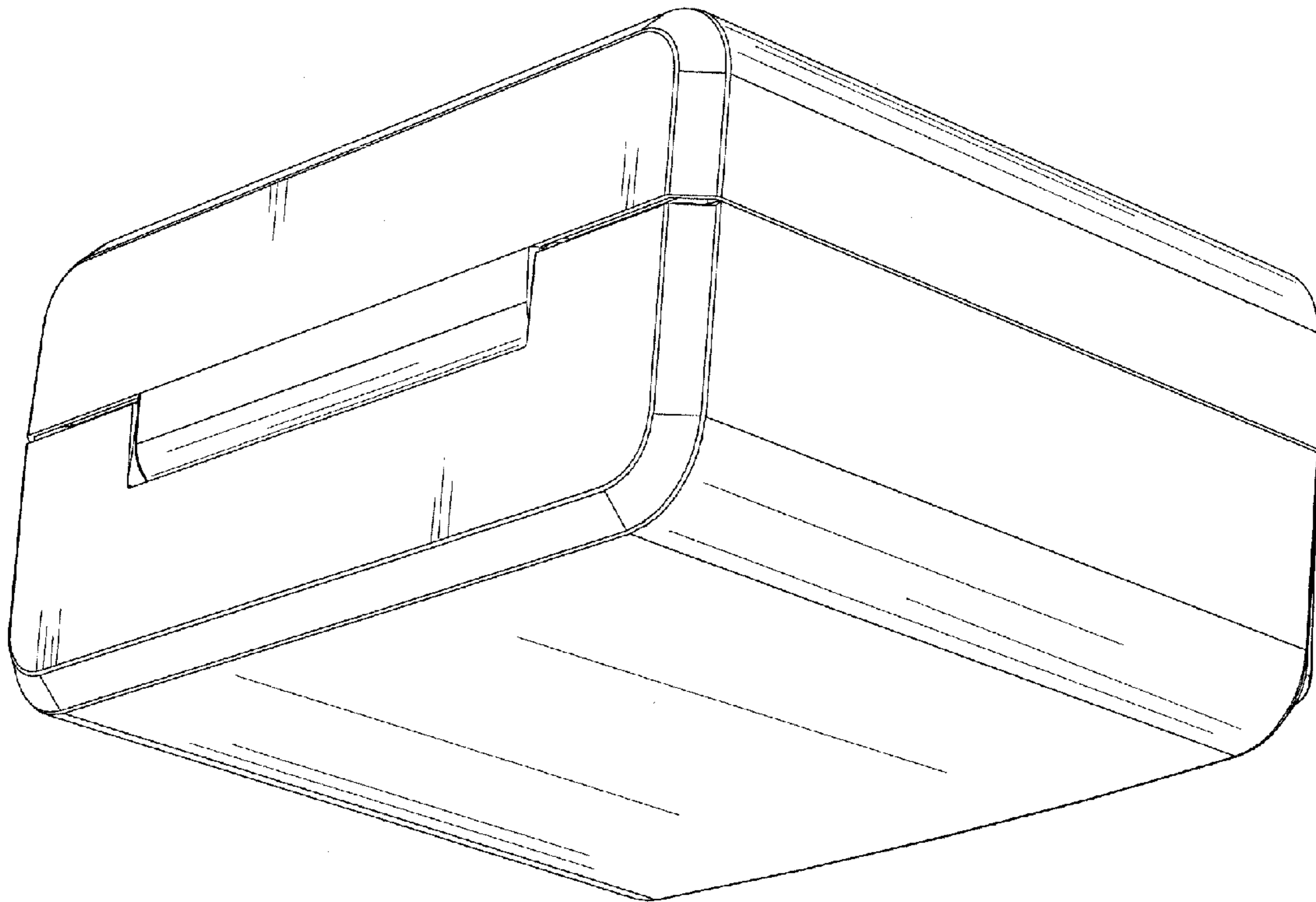


FIG. 5

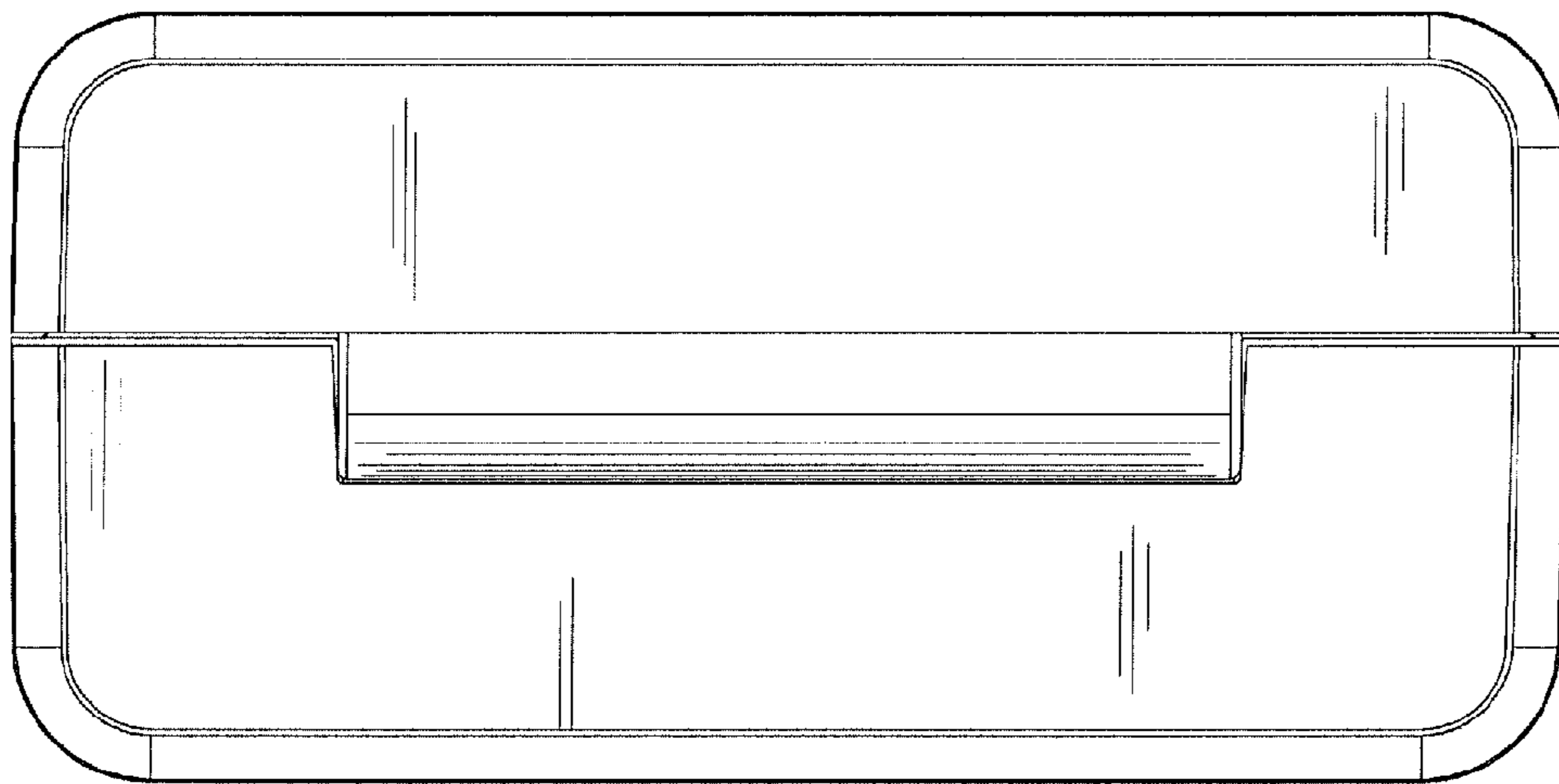


FIG. 6

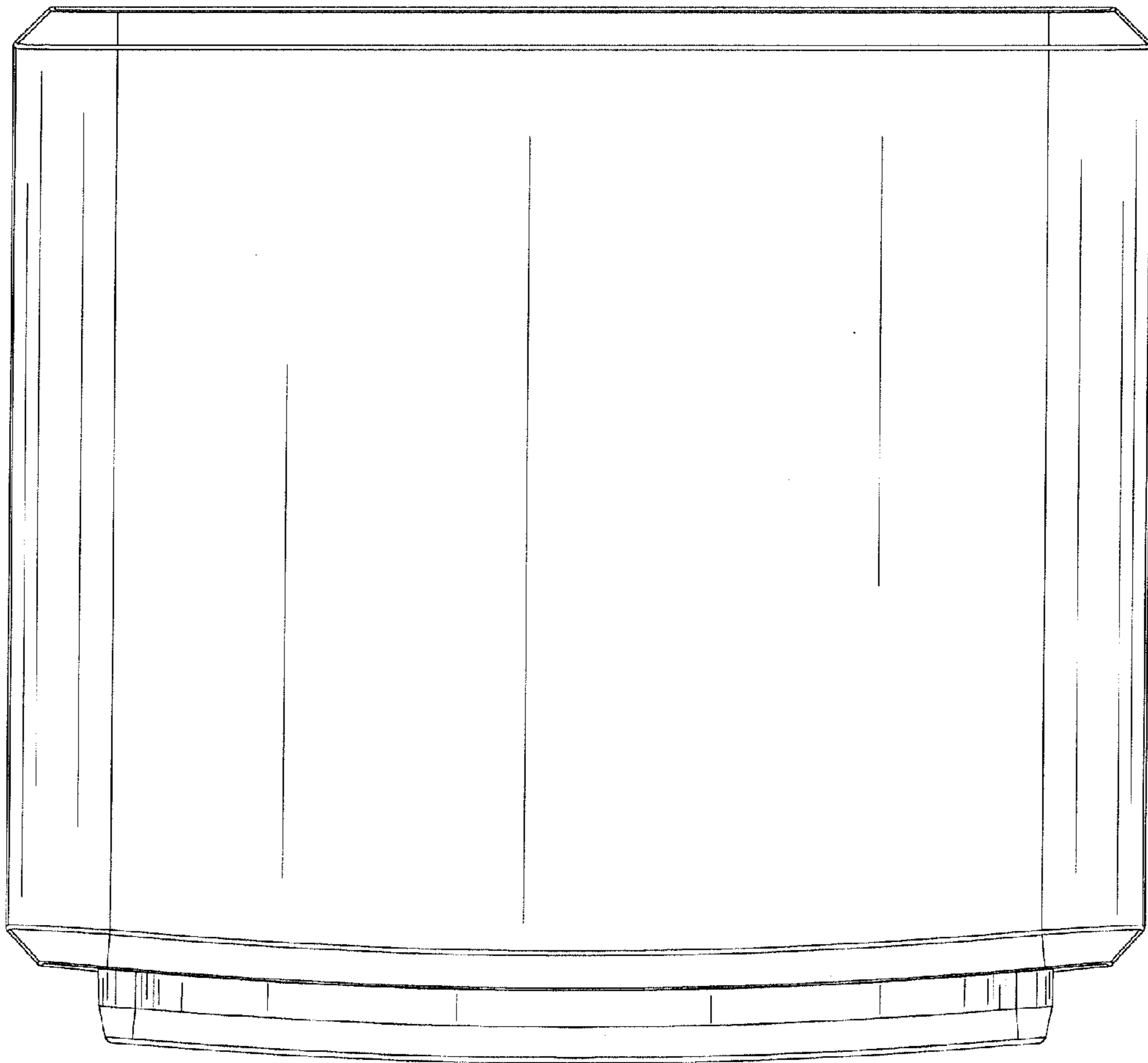


FIG. 7

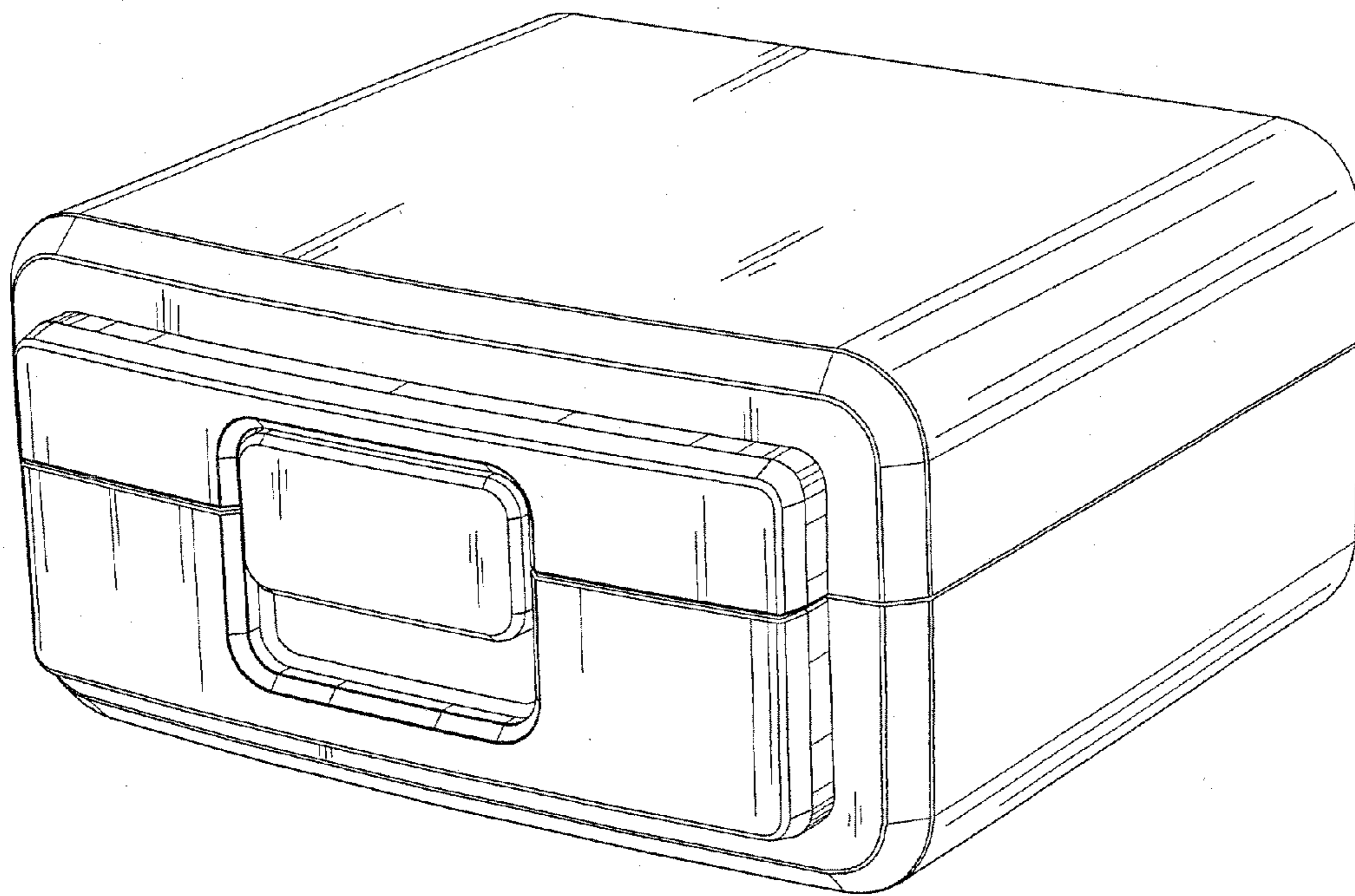


FIG. 8

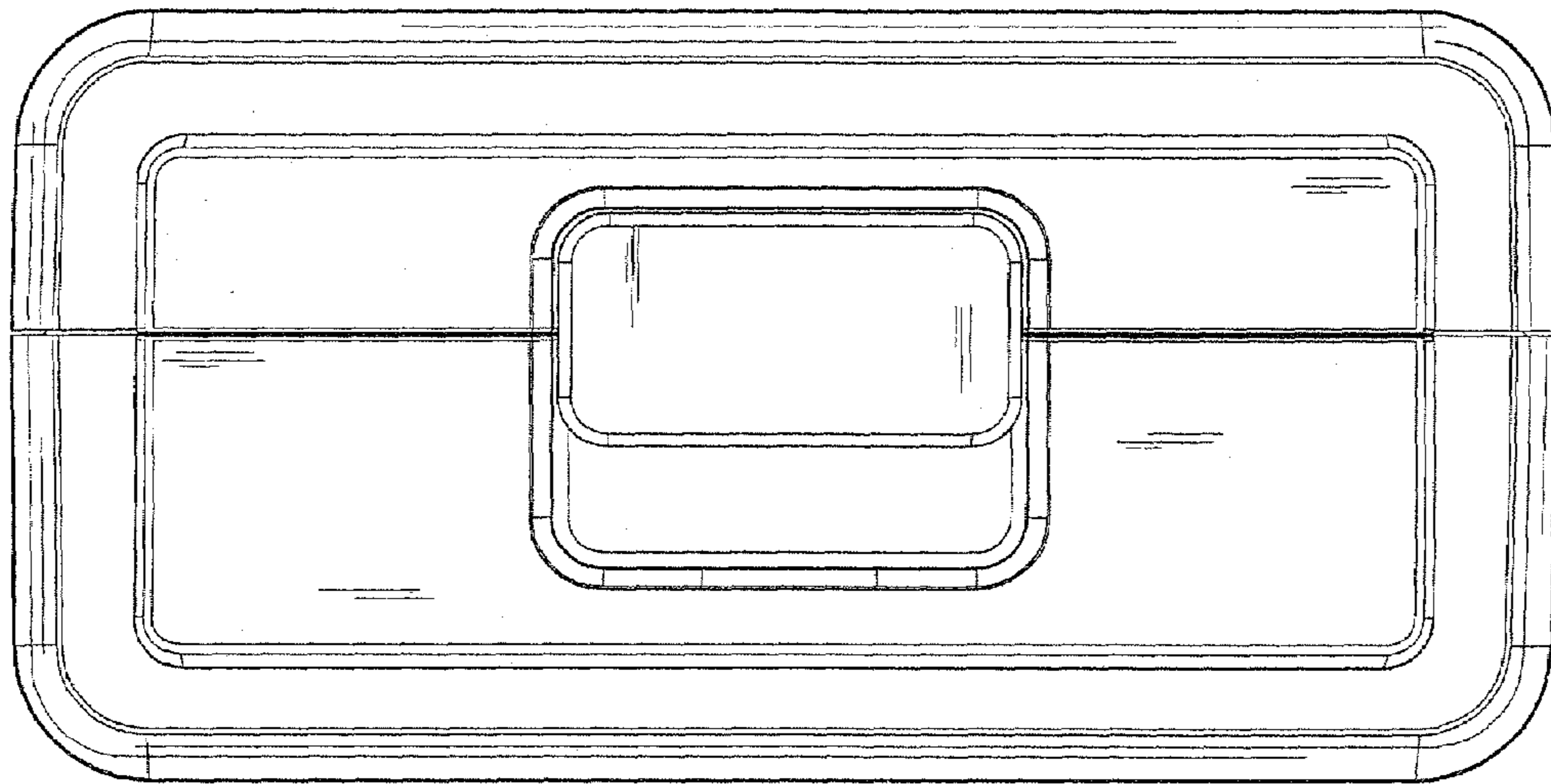


FIG. 9

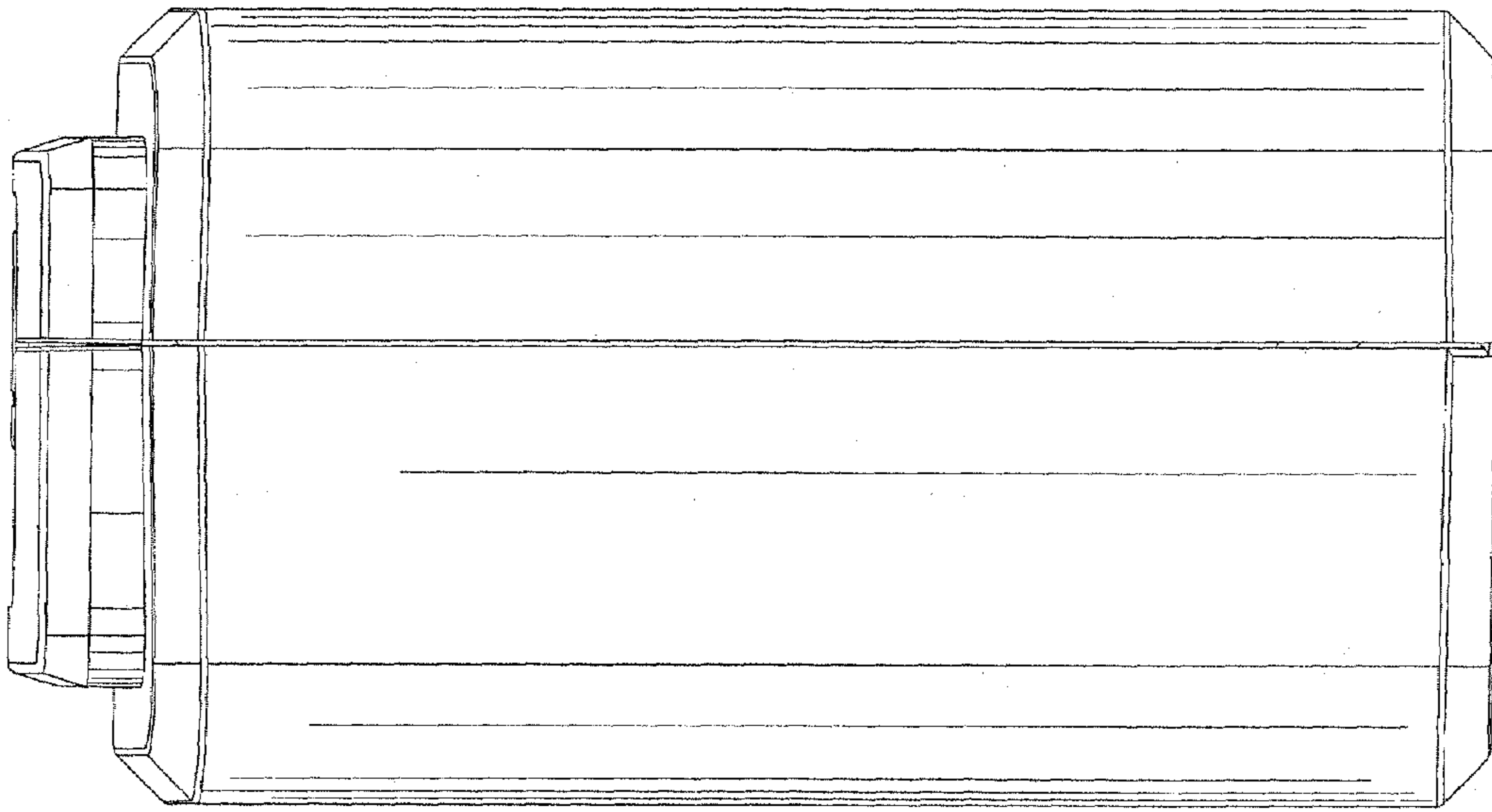


FIG. 10

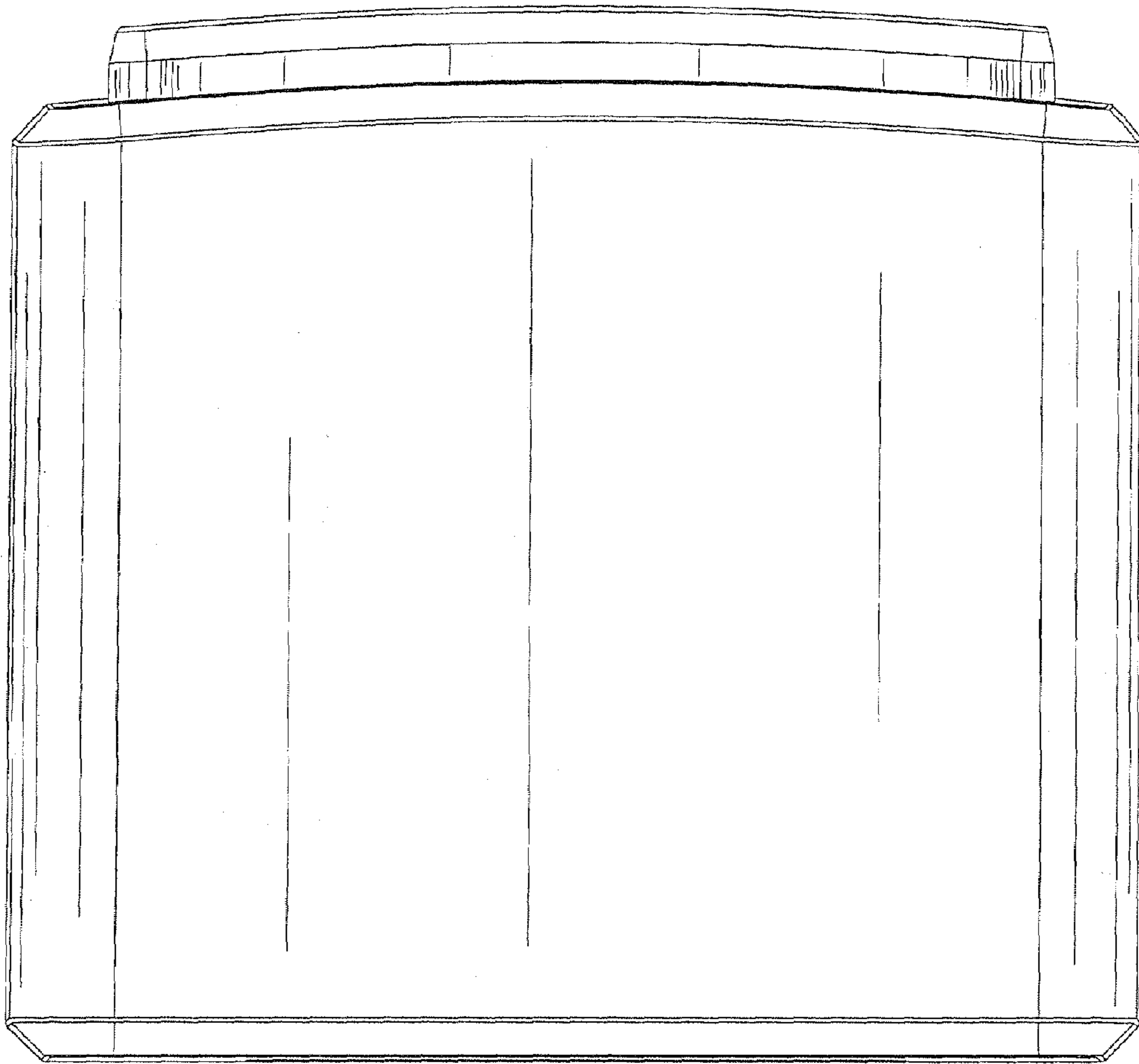


FIG. 11

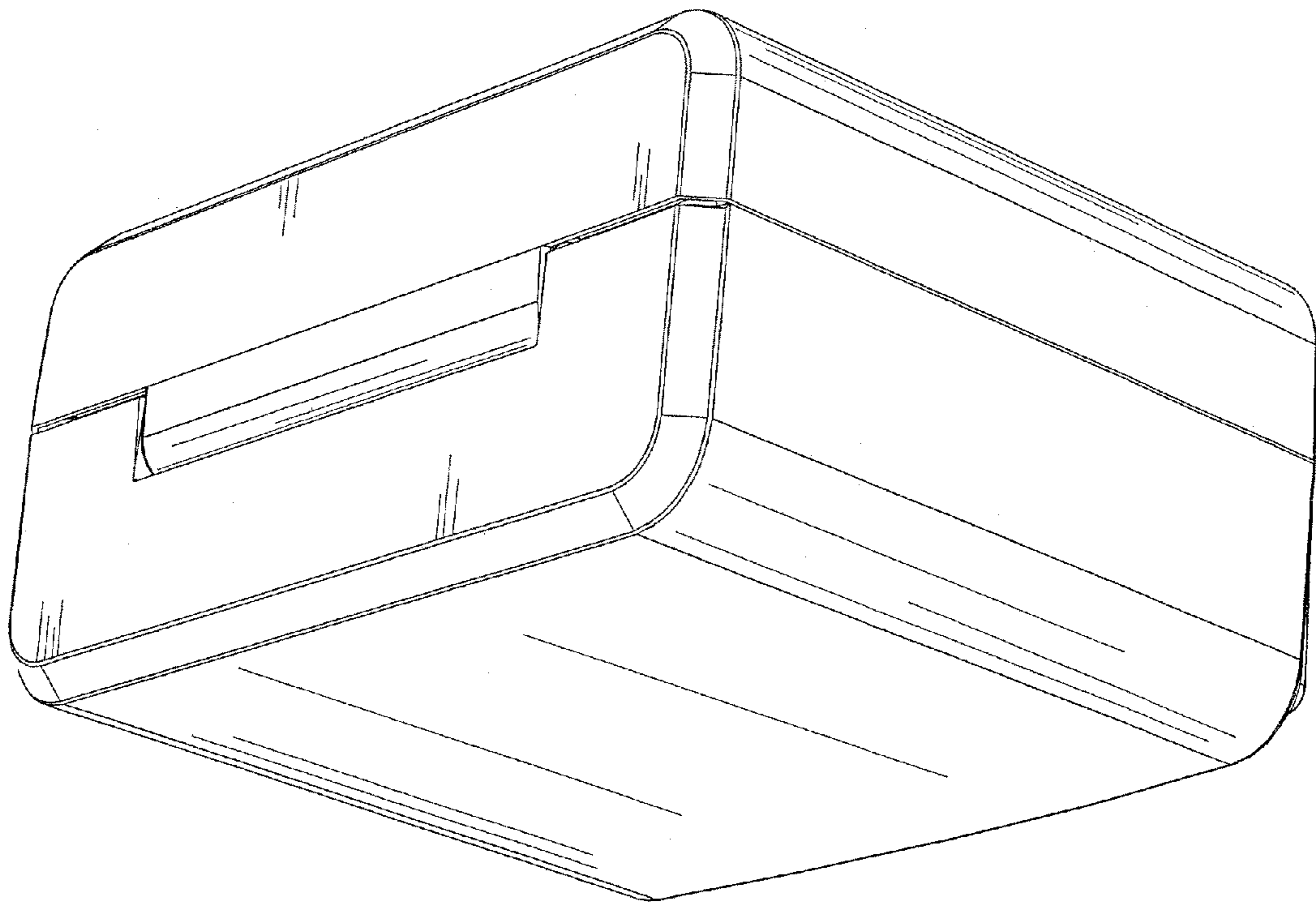


FIG. 12

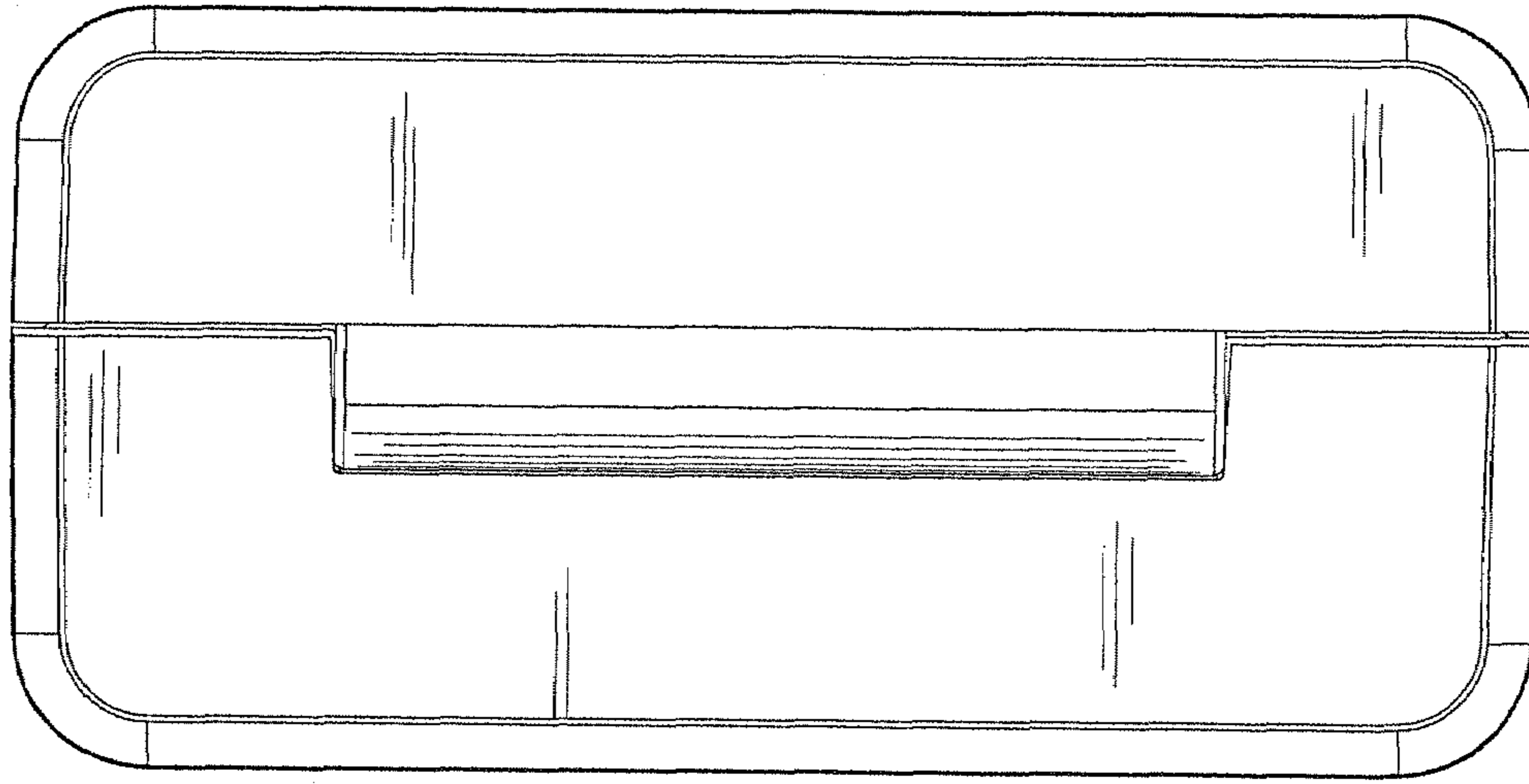


FIG. 13

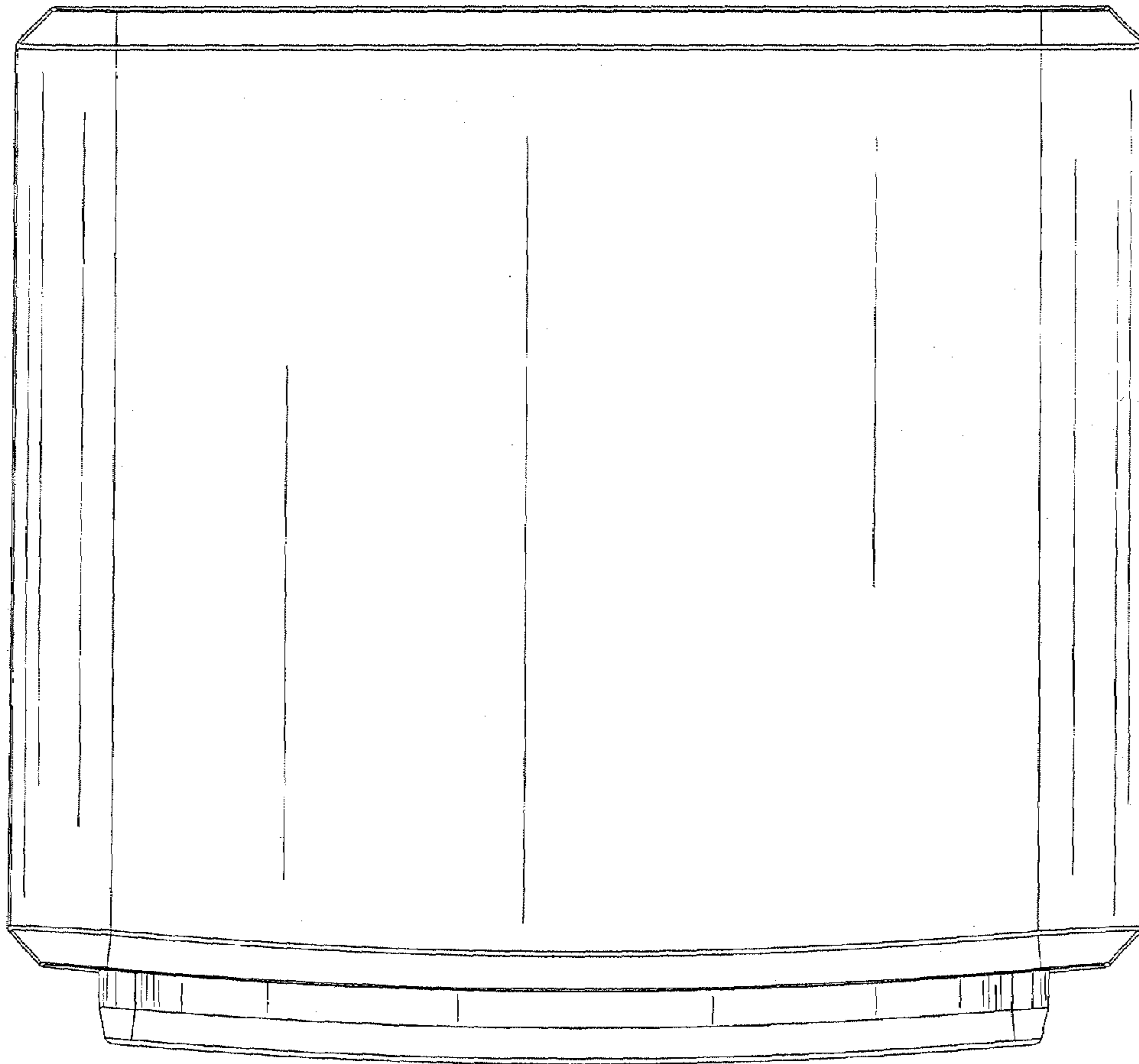


FIG. 14