

US00D571522S

(12) **United States Design Patent**  
**Bornhorst et al.**

(10) **Patent No.:** **US D571,522 S**  
(45) **Date of Patent:** **\*\* Jun. 17, 2008**

(54) **POWER UNIT FOR A FORK LIFT TRUCK**  
(75) Inventors: **Keith G. Bornhorst**, New Bremen, OH (US); **Dean E. Davis**, Troy, OH (US); **Michael P. Gallagher**, Greenville, OH (US); **Henry J. Rahn**, Mission Viejo, CA (US); **Patrick A. Soder**, Sidney, OH (US); **Rainer B. Teufel**, Worthington, OH (US)

(73) Assignee: **Crown Equipment Corporation**, New Bremen, OH (US)

(\*\*) Term: **14 Years**

(21) Appl. No.: **29/281,943**

(22) Filed: **Jul. 6, 2007**

(51) **LOC (8) Cl.** ..... **12-05**

(52) **U.S. Cl.** ..... **D34/35; D34/37; D34/34**

(58) **Field of Classification Search** ..... **D34/34, D34/35, 37; 180/89.12, 89.13, 89.17; 187/222, 187/237, 238; 296/190.01**

See application file for complete search history.

(56) **References Cited**

**U.S. PATENT DOCUMENTS**

D240,294 S *	6/1976	Priester et al. ....	D34/37
D271,720 S *	12/1983	Brown et al. ....	D34/37
5,071,187 A	12/1991	Smith et al.	
D427,409 S *	6/2000	Sato et al. ....	D34/34
D441,936 S	5/2001	Brandt et al.	
D448,136 S *	9/2001	Yurushi et al. ....	D34/34
D452,598 S *	12/2001	Sato .....	D34/34

D464,784 S *	10/2002	Sato .....	D34/35
D466,268 S	11/2002	Kraimer et al.	
D466,669 S	12/2002	Kraimer et al.	
D470,990 S *	2/2003	Han et al. ....	D34/34
D557,872 S *	12/2007	Mori et al. ....	D34/35

**OTHER PUBLICATIONS**

Crown specification brochure entitled Crown FC 4500 Series Sit-down Rider Lift Truck.

Crown specification brochure entitled Crown SC 4500 Series Sit-down Rider Lift Truck.

\* cited by examiner

*Primary Examiner*—Cynthia E Ramirez

(74) *Attorney, Agent, or Firm*—Stevens & Showalter LLP

(57) **CLAIM**

The ornamental design for a power unit for a fork lift truck, as shown.

**DESCRIPTION**

FIG. 1 is a perspective view of a power unit for a fork lift truck as seen from the top, front and left sides showing out new design;

FIG. 2 is a front elevational view thereof;

FIG. 3 is a rear elevational view thereof;

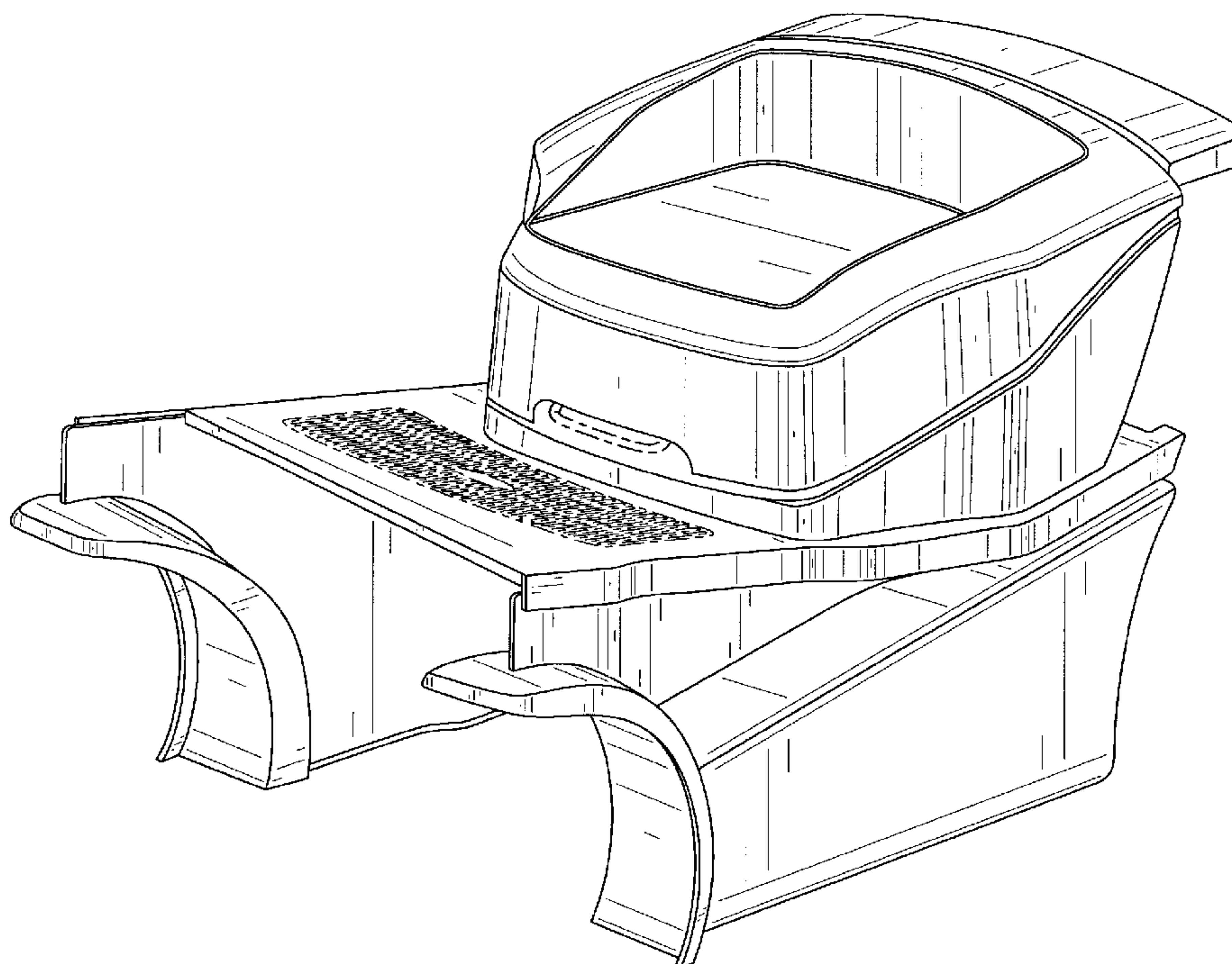
FIG. 4 is a right side elevational view thereof;

FIG. 5 is a left side elevational view thereof; and,

FIG. 6 is a top plan view thereof.

The broken line showings in the figures is for illustrative purposes only and forms no part of the claimed design.

**1 Claim, 6 Drawing Sheets**



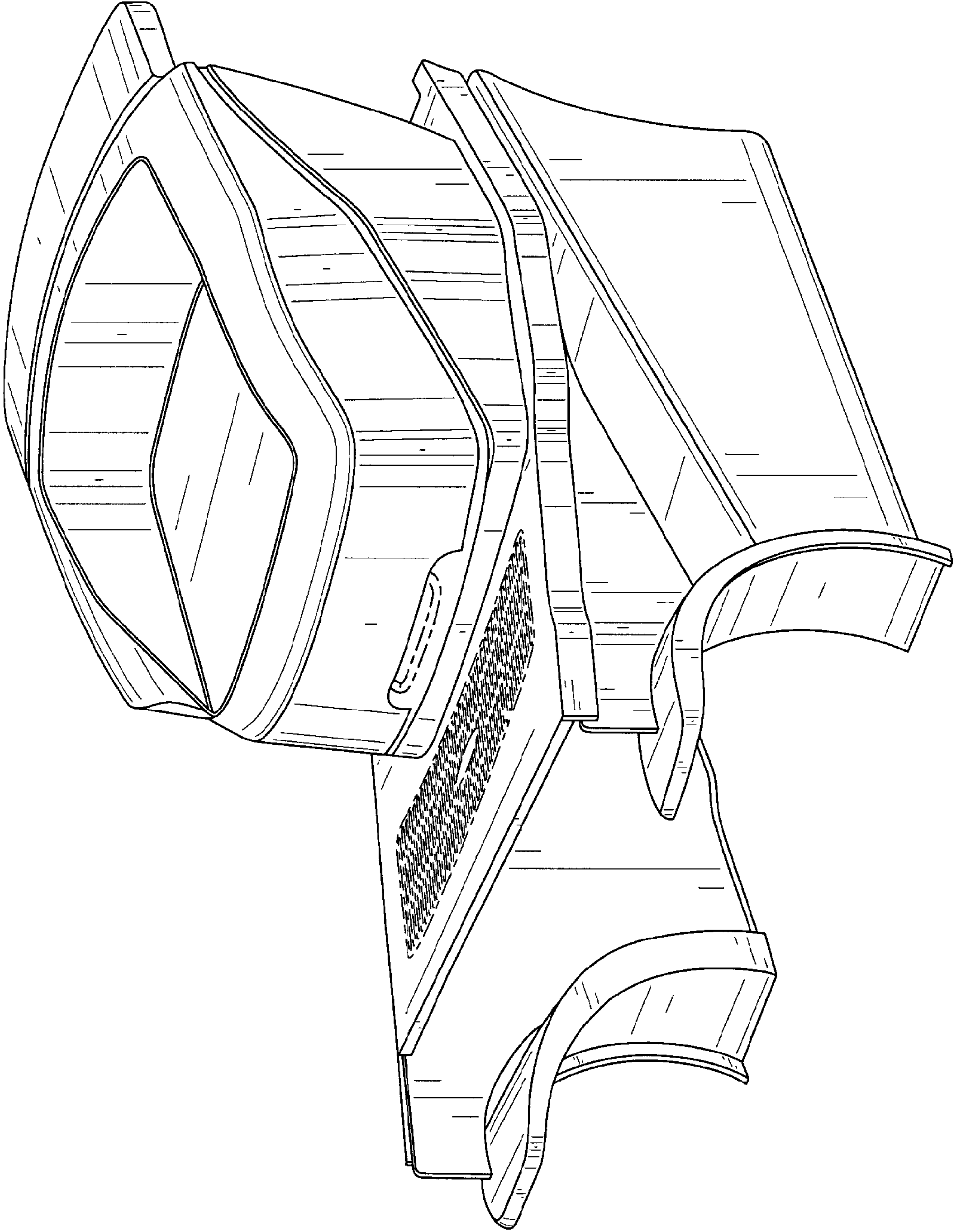


FIG. 1

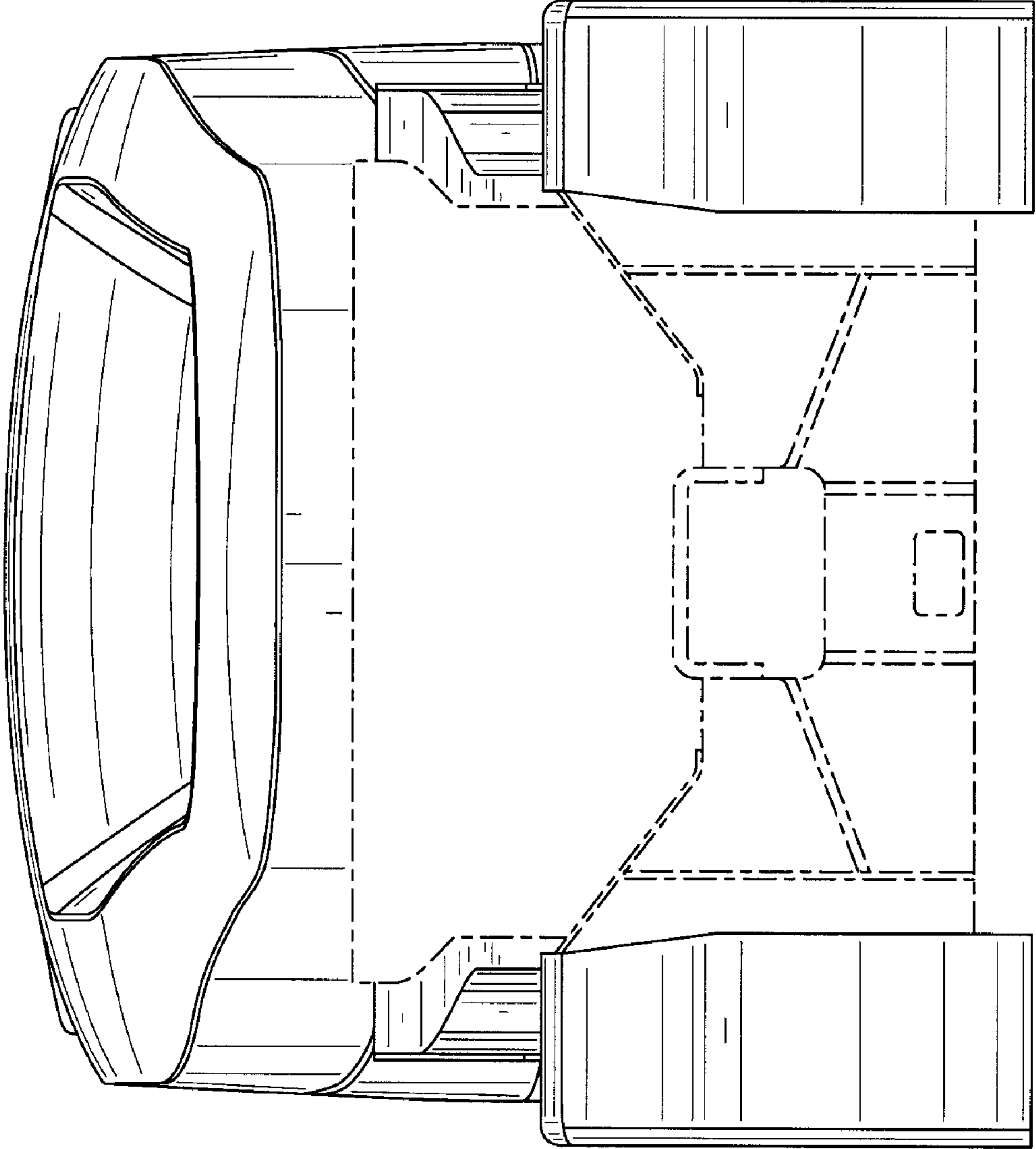


FIG. 2

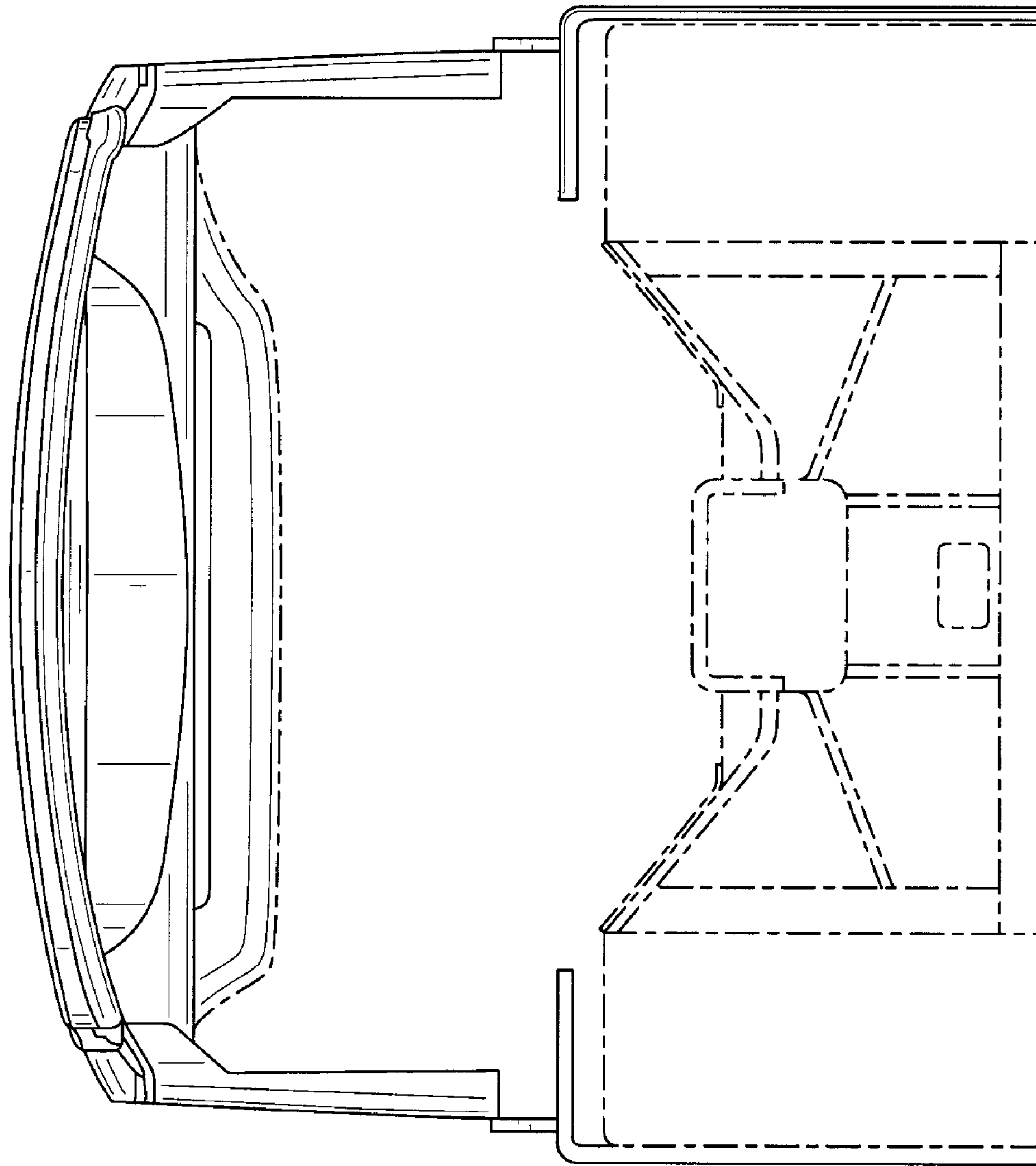


FIG. 3

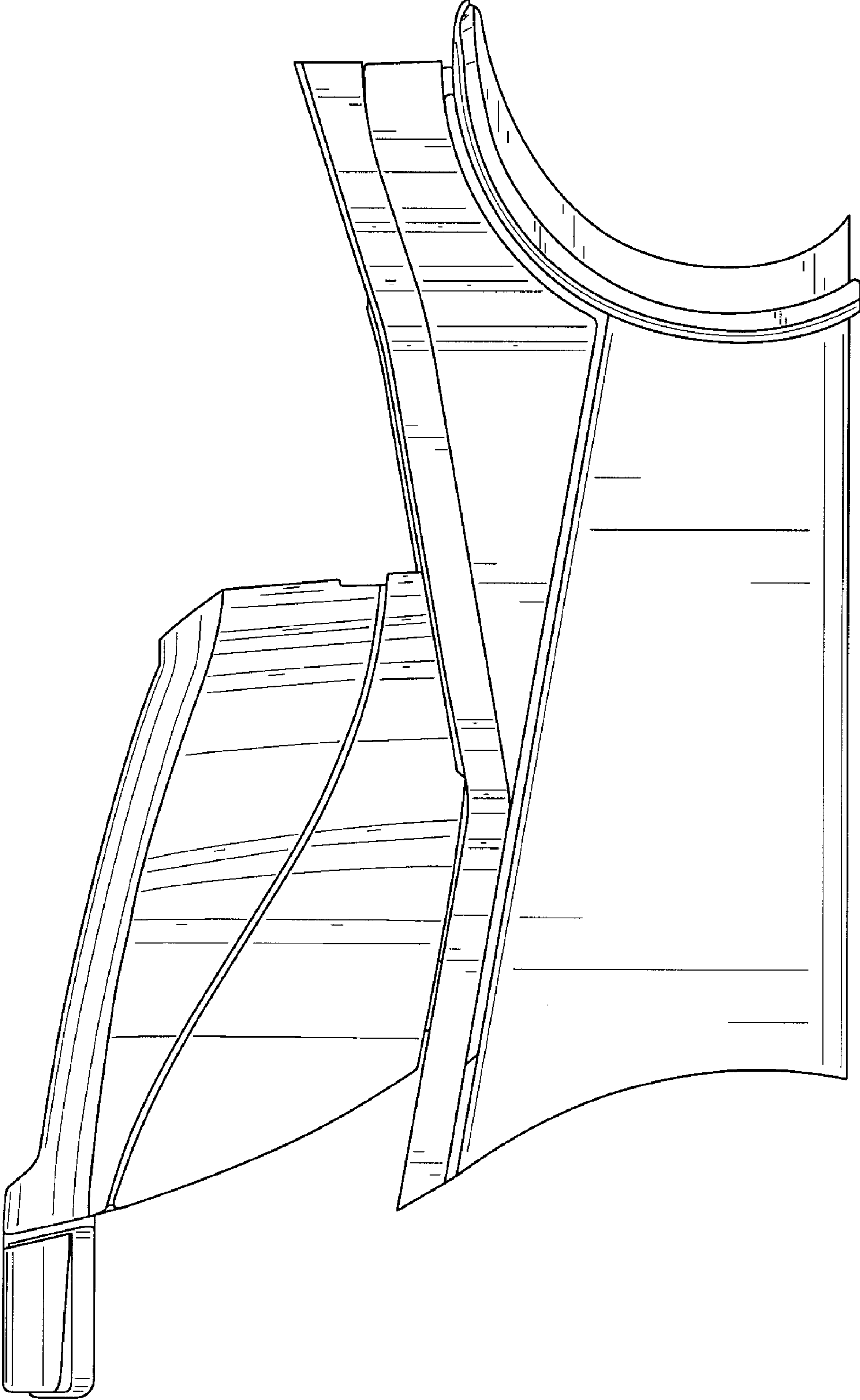


FIG. 4



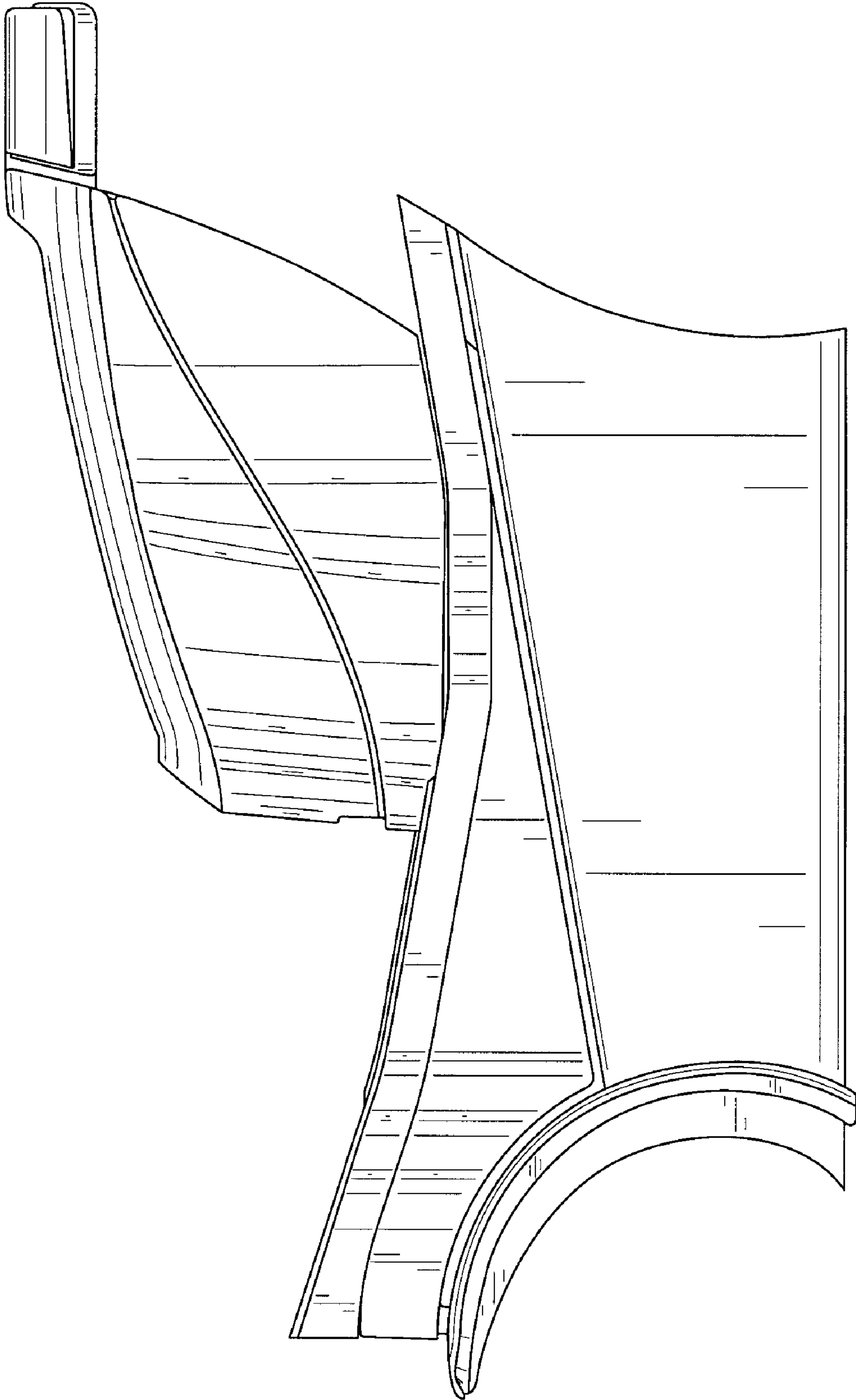


FIG. 5

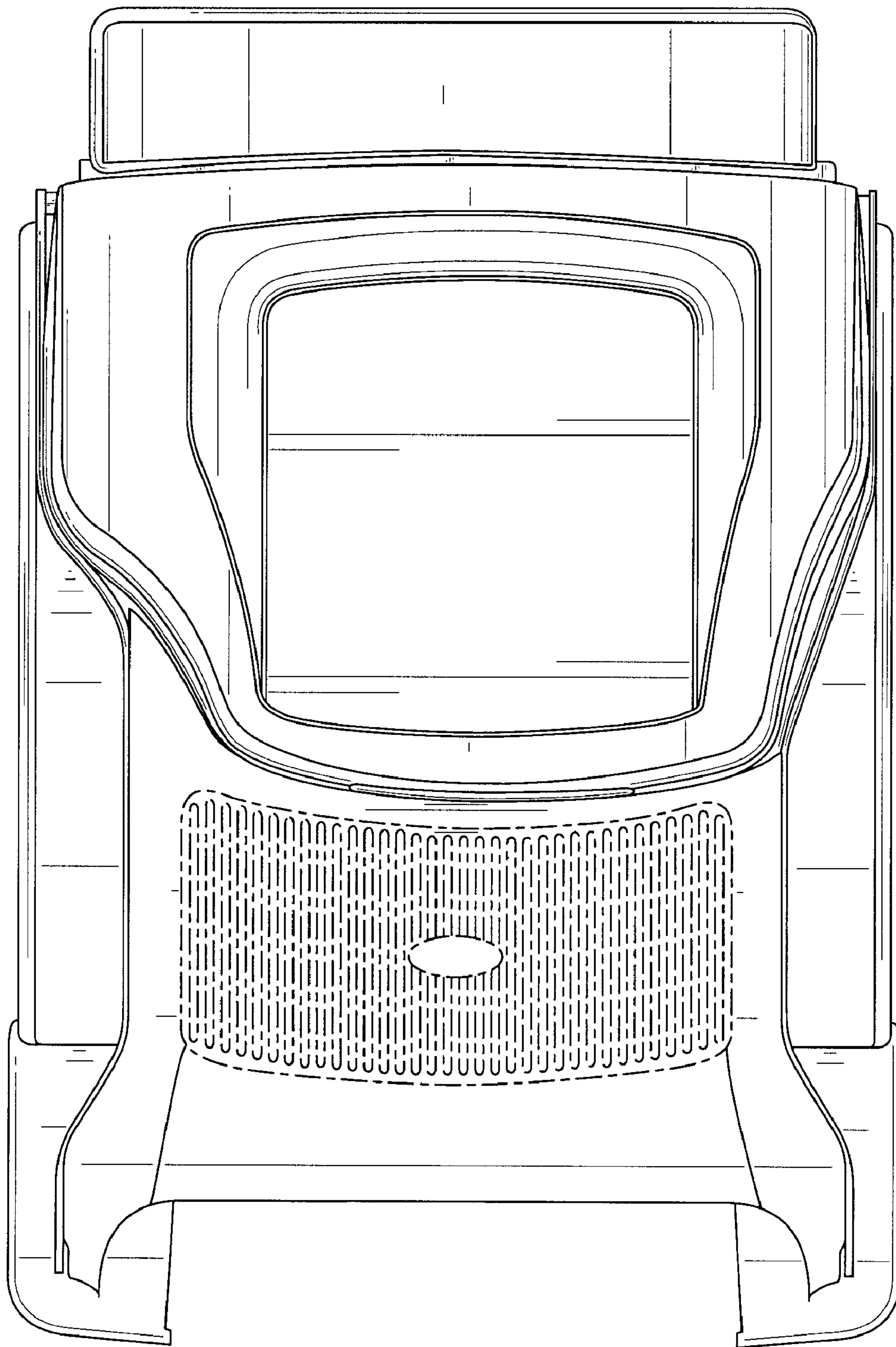


FIG. 6