

US00D571521S

(12) **United States Design Patent** (10) **Patent No.:** **US D571,521 S**
Stollenwerk et al. (45) **Date of Patent:** **** Jun. 17, 2008**

(54) **PANTS TROLLEY**

(75) Inventors: **Paul B. Stollenwerk**, Whitefish Bay, WI (US); **James R. Burkel**, Port Washington, WI (US); **Todd M. Graf**, Plymouth, WI (US); **Cynthia H. Hubert**, Cedarburg, WI (US)

(73) Assignee: **Allen-Edmonds Shoe Corporation**, Port Washington, WI (US)

(**) Term: **14 Years**

(21) Appl. No.: **29/283,535**

(22) Filed: **Aug. 16, 2007**

(51) **LOC (8) Cl.** **12-02**

(52) **U.S. Cl.** **D34/17**

(58) **Field of Classification Search** D34/12-27;
280/651, 641, 79.11, 79.3, 638, 639, 42, 47.35;
211/206, 204, 123, 85.19, 85.24, 189, 94.03,
211/85.26, 59.1, 85.3; D6/552; 206/290;
D32/58, 60, 55, 63, 65

See application file for complete search history.

(56) **References Cited**

U.S. PATENT DOCUMENTS

2,478,458	A *	8/1949	Carter et al.	211/71.01
2,987,193	A	6/1961	Pajor	
3,150,776	A	9/1964	Van Dusen	
3,349,923	A *	10/1967	Feder	211/123
3,421,614	A *	1/1969	Crane	206/290
3,527,339	A *	9/1970	Cipolla	206/290
4,460,112	A	7/1984	Ziliani	
4,720,048	A *	1/1988	Maroney et al.	280/47.34
4,740,010	A *	4/1988	Moskovitz	280/641
4,958,841	A *	9/1990	Keen	280/47.35

4,988,008	A *	1/1991	Blum et al.	211/189
5,033,630	A	7/1991	Lee	
5,738,365	A *	4/1998	McCarthy	280/651
D429,865	S *	8/2000	Bartz et al.	D34/17
D445,229	S *	7/2001	Stravitz et al.	D34/17
6,669,214	B1 *	12/2003	Domis	280/47.35
6,679,507	B1 *	1/2004	Ahm	280/79.3
6,976,696	B2 *	12/2005	O'Krangley et al.	280/640
7,104,412	B2 *	9/2006	Yong	211/206
2003/0006586	A1 *	1/2003	Comilla	280/651
2004/0222179	A1 *	11/2004	Garcia	211/206
2006/0097487	A1 *	5/2006	Stuart et al.	280/651

* cited by examiner

Primary Examiner—Cynthia E Ramirez

(74) *Attorney, Agent, or Firm*—Brian G. Gilpin; Godfrey & Kahn, S.C.

(57) **CLAIM**

We claim the ornamental design of a pants trolley, as shown and described.

DESCRIPTION

FIG. 1 is a perspective view of a pants trolley showing our new design, with hangers, slide rails, and wheels shown in phantom;

FIG. 2 is a right side view thereof, the left side being an identical image thereof;

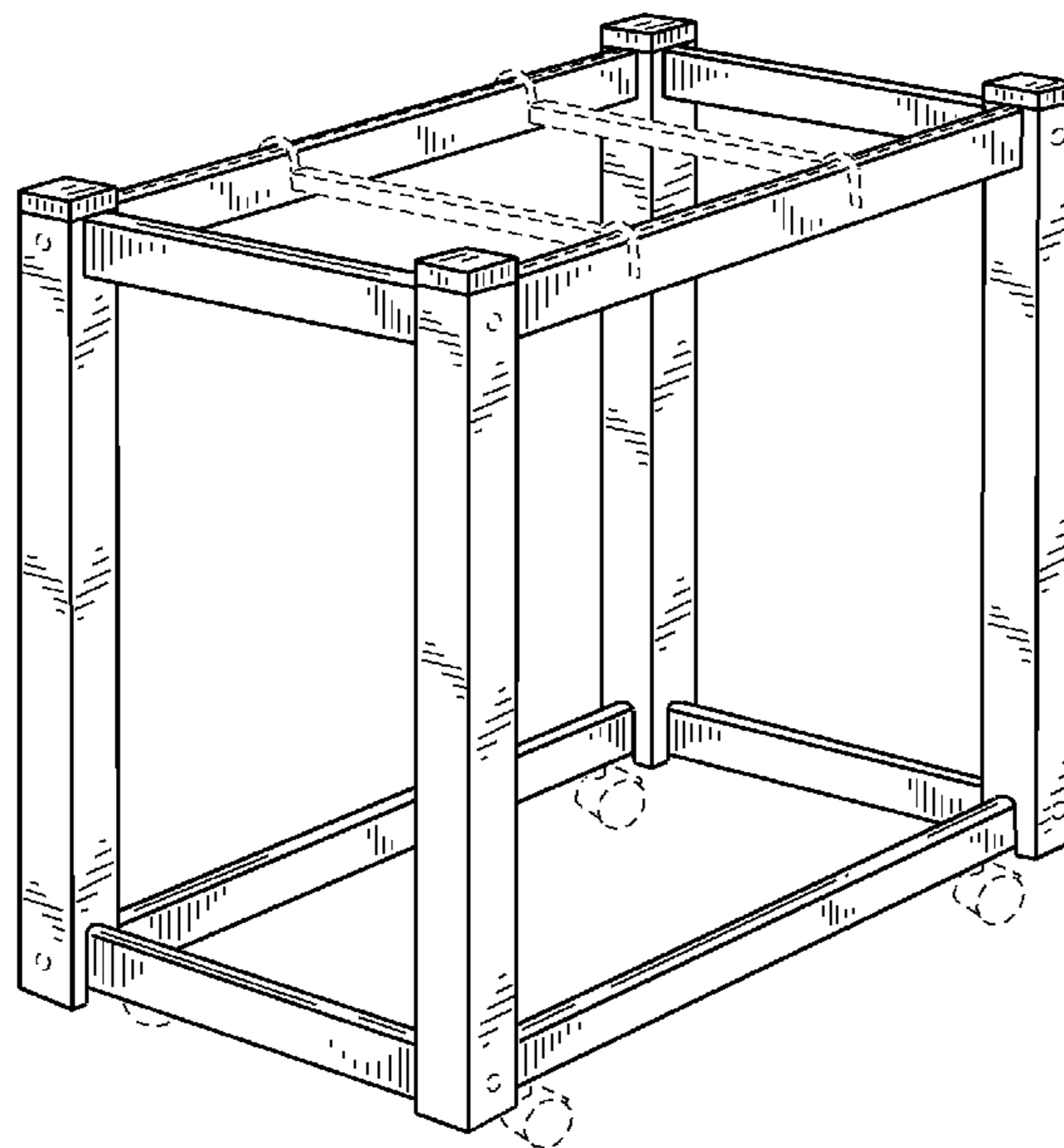
FIG. 3 is a front view thereof, the back view being an identical image thereof;

FIG. 4 is a top view thereof; and,

FIG. 5 is a bottom view thereof.

The portions shown in phantom are for illustrative purposes only and form no part of the claimed design.

1 Claim, 3 Drawing Sheets



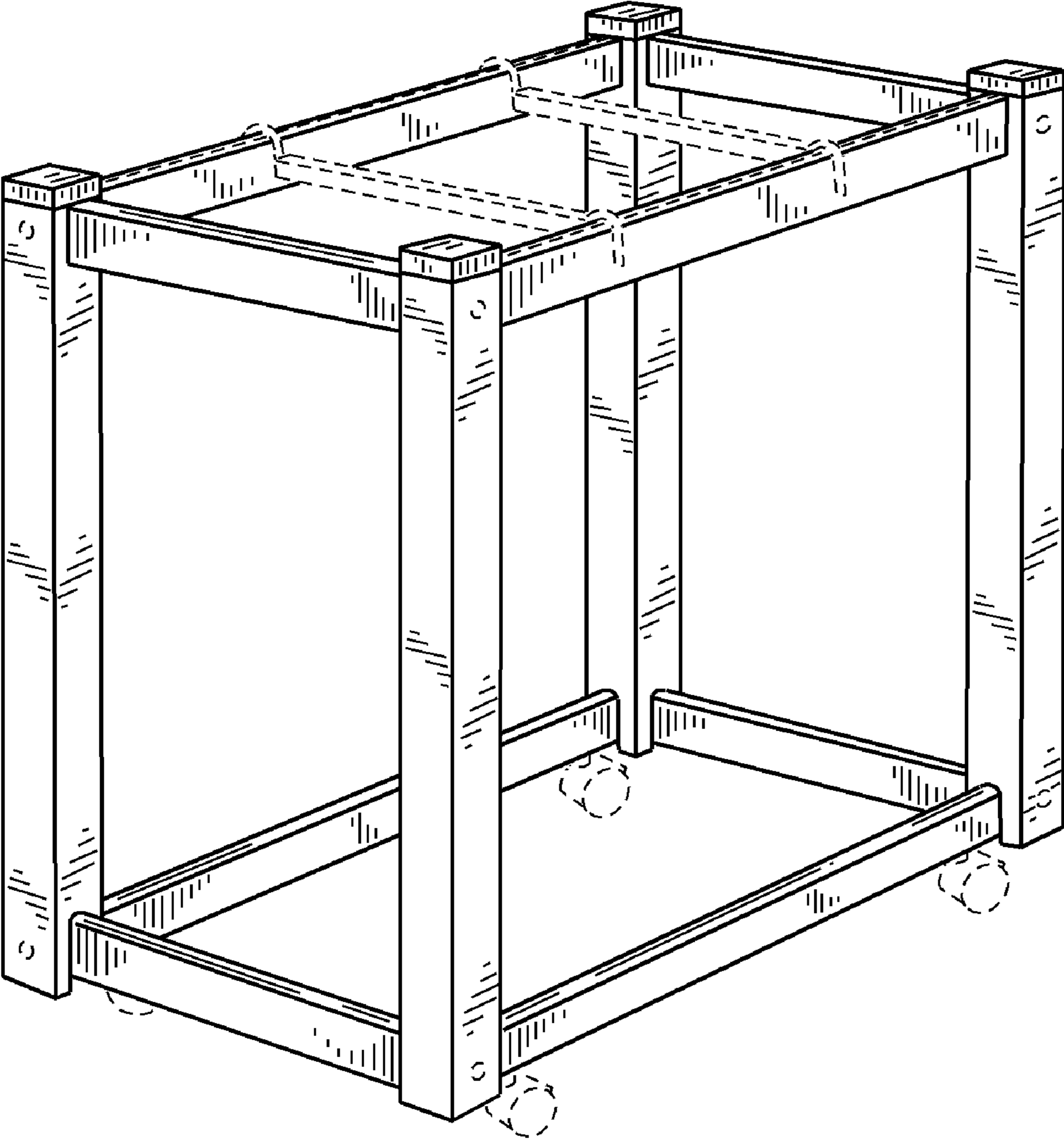


FIG. 1

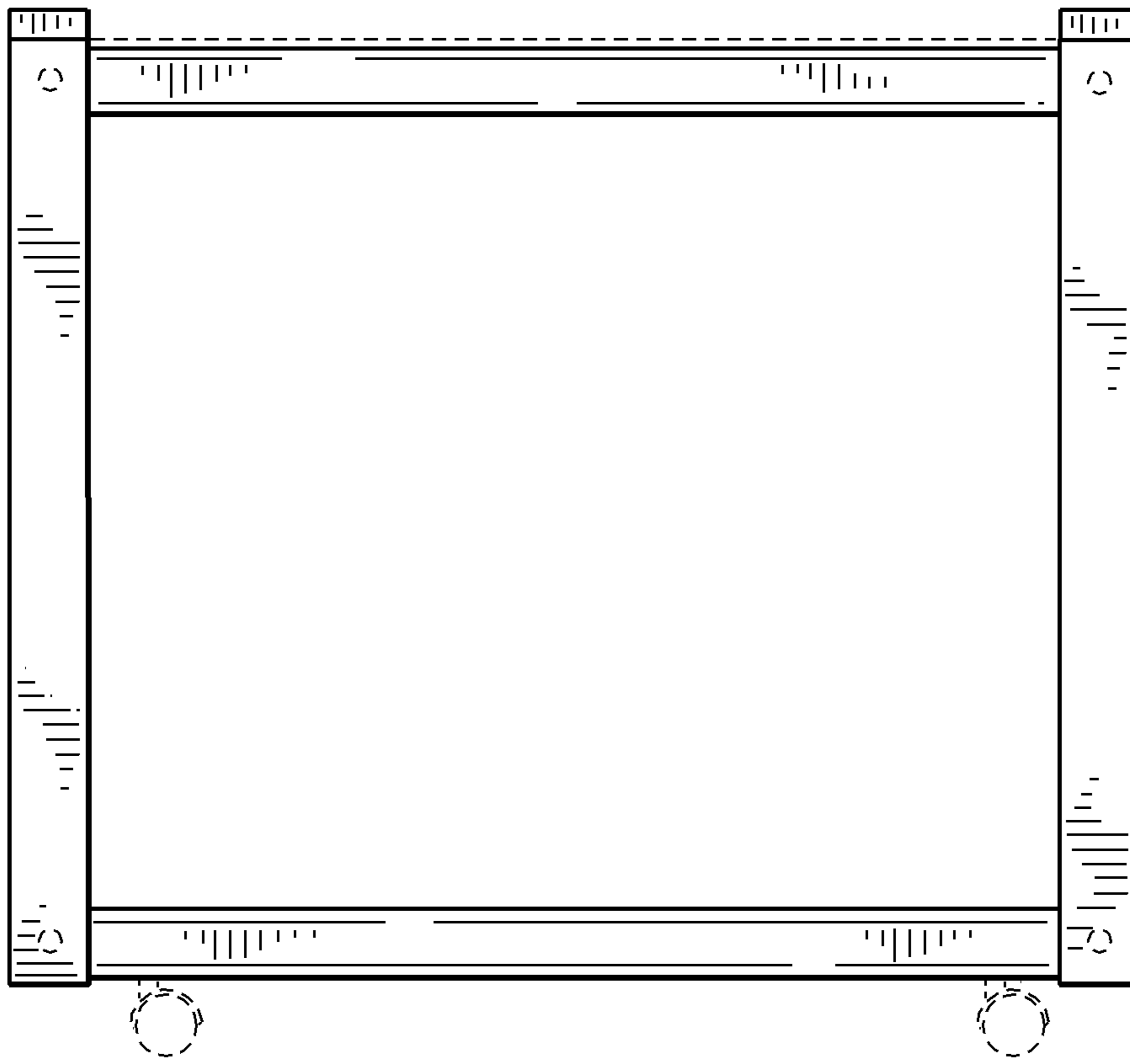


FIG. 2

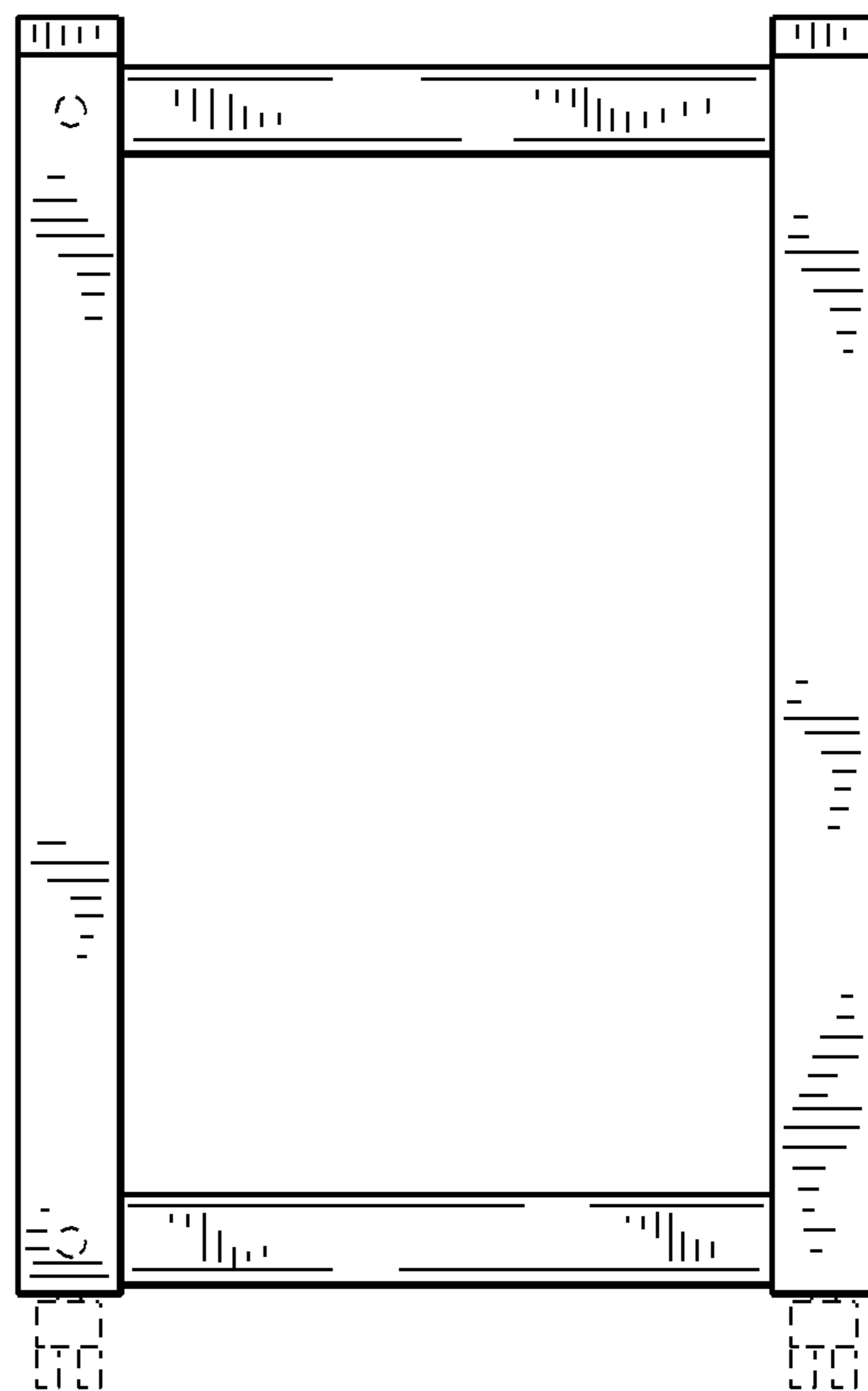


FIG. 3



FIG. 4

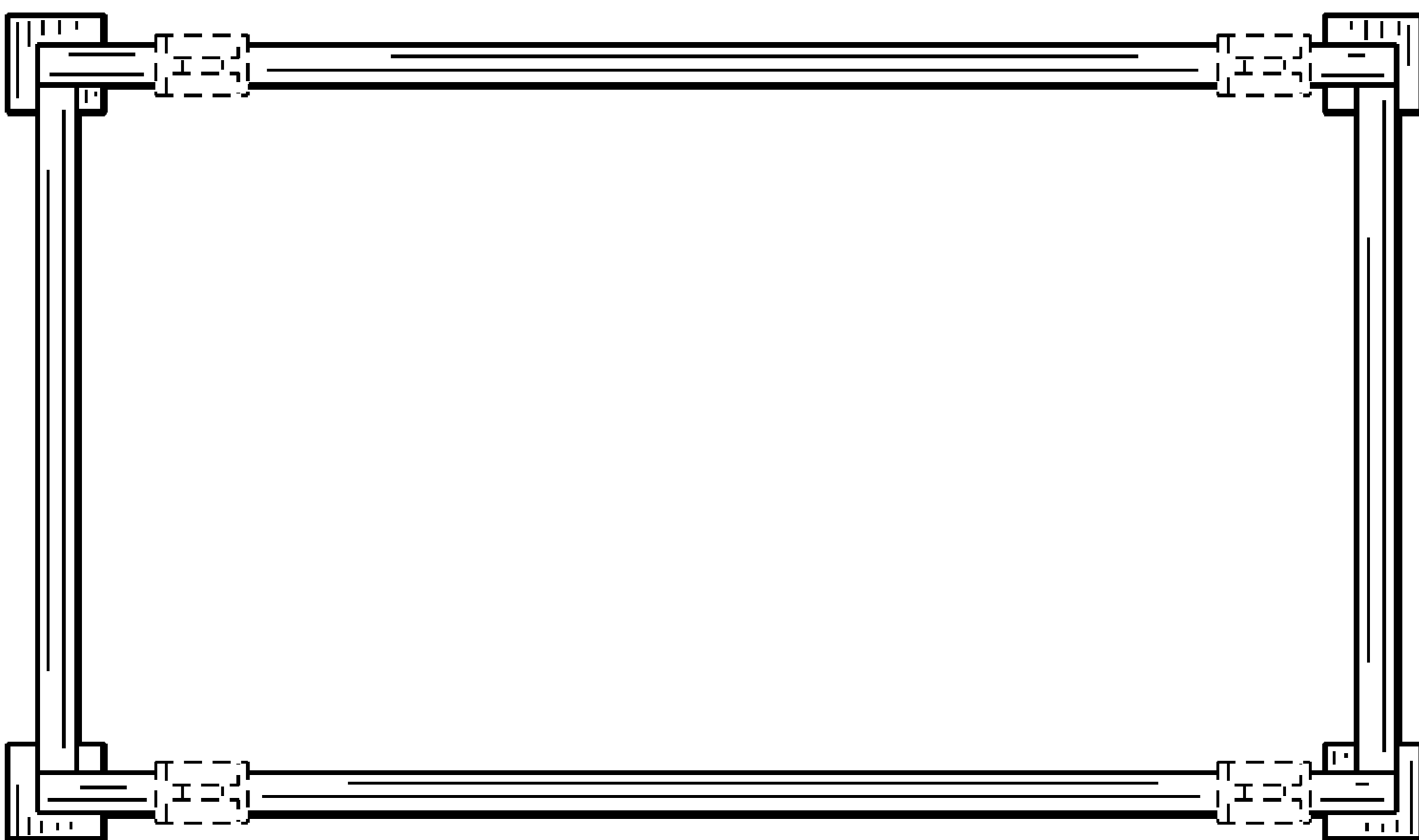


FIG. 5