

US00D571517S

(12) **United States Design Patent**  
**Zion**

(10) **Patent No.:** **US D571,517 S**  
(45) **Date of Patent:** **\*\* Jun. 17, 2008**

(54) **BARBEQUE GRILL CLEANER**

(76) Inventor: **Thomas E. Zion**, 683 Elk Dr.,  
Morristown, TN (US) 37814

(\*\*) Term: **14 Years**

(21) Appl. No.: **29/246,279**

(22) Filed: **Mar. 29, 2006**

**Related U.S. Application Data**

(63) Continuation of application No. 10/777,935, filed on  
Feb. 12, 2004, now abandoned.

(51) **LOC (8) Cl.** ..... **07-05**

(52) **U.S. Cl.** ..... **D32/49**

(58) **Field of Classification Search** ..... D32/46,  
D32/48-49, 43; D8/88, 14; D7/181-185;  
15/104.03, 104.04, 105, 236.03, 236.04;  
30/169

See application file for complete search history.

(56) **References Cited**

**U.S. PATENT DOCUMENTS**

|              |         |              |              |
|--------------|---------|--------------|--------------|
| D177,807 S   | 5/1956  | Harper       |              |
| 2,747,911 A  | 5/1956  | Kuever       |              |
| 2,824,323 A  | 2/1958  | Tos et al.   |              |
| D194,374 S   | 1/1963  | Wildgen      |              |
| 3,310,826 A  | 3/1967  | Ellis        |              |
| 3,800,354 A  | 4/1974  | Stephens     |              |
| 3,820,185 A  | 6/1974  | Phillips     |              |
| D234,743 S * | 4/1975  | Andersen     | ..... D32/49 |
| D242,687 S   | 12/1976 | Broberg, Jr. |              |
| D247,278 S   | 2/1978  | Dunn, Jr.    |              |
| 4,112,537 A  | 9/1978  | Heuck        |              |
| 4,214,342 A  | 7/1980  | Amundsen     |              |
| D264,543 S   | 5/1982  | Ashley       |              |
| D268,215 S   | 3/1983  | McBride      |              |

|                 |         |                    |              |
|-----------------|---------|--------------------|--------------|
| 4,771,541 A     | 9/1988  | Bouchakian         |              |
| D341,453 S      | 11/1993 | Roma et al.        |              |
| D341,455 S      | 11/1993 | Roma et al.        |              |
| 5,373,600 A     | 12/1994 | Stojanovski et al. |              |
| D377,251 S      | 1/1997  | Mitchell           |              |
| D386,859 S *    | 11/1997 | Rostron            | ..... D32/49 |
| D403,484 S *    | 12/1998 | Schrader           | ..... D32/35 |
| 6,000,739 A     | 12/1999 | Zemit et al.       |              |
| D422,766 S      | 4/2000  | Whitman            |              |
| 6,485,074 B1    | 11/2002 | Floyd              |              |
| 6,643,888 B2    | 11/2003 | Griffith           |              |
| D499,627 S *    | 12/2004 | Wilson             | ..... D8/89  |
| 6,871,377 B2    | 5/2005  | Veltrop et al.     |              |
| 2002/0093210 A1 | 7/2002  | Sassone et al.     |              |
| 2004/0019991 A1 | 2/2004  | Neal et al.        |              |
| 2005/0011029 A1 | 1/2005  | Yu                 |              |

\* cited by examiner

*Primary Examiner*—Pamela J. Burgess  
(74) *Attorney, Agent, or Firm*—Luedeka, Neely & Graham,  
P.C.

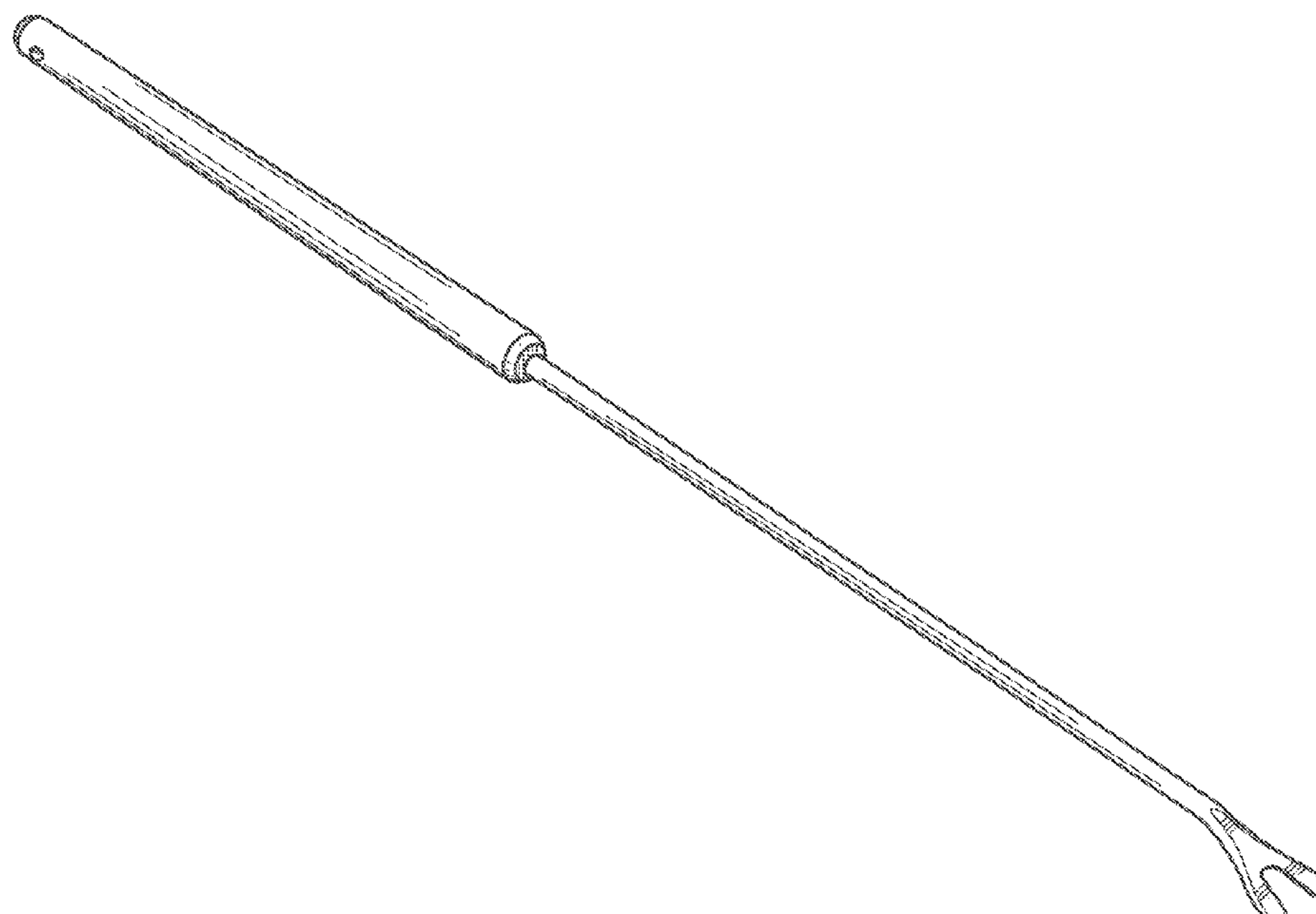
(57) **CLAIM**

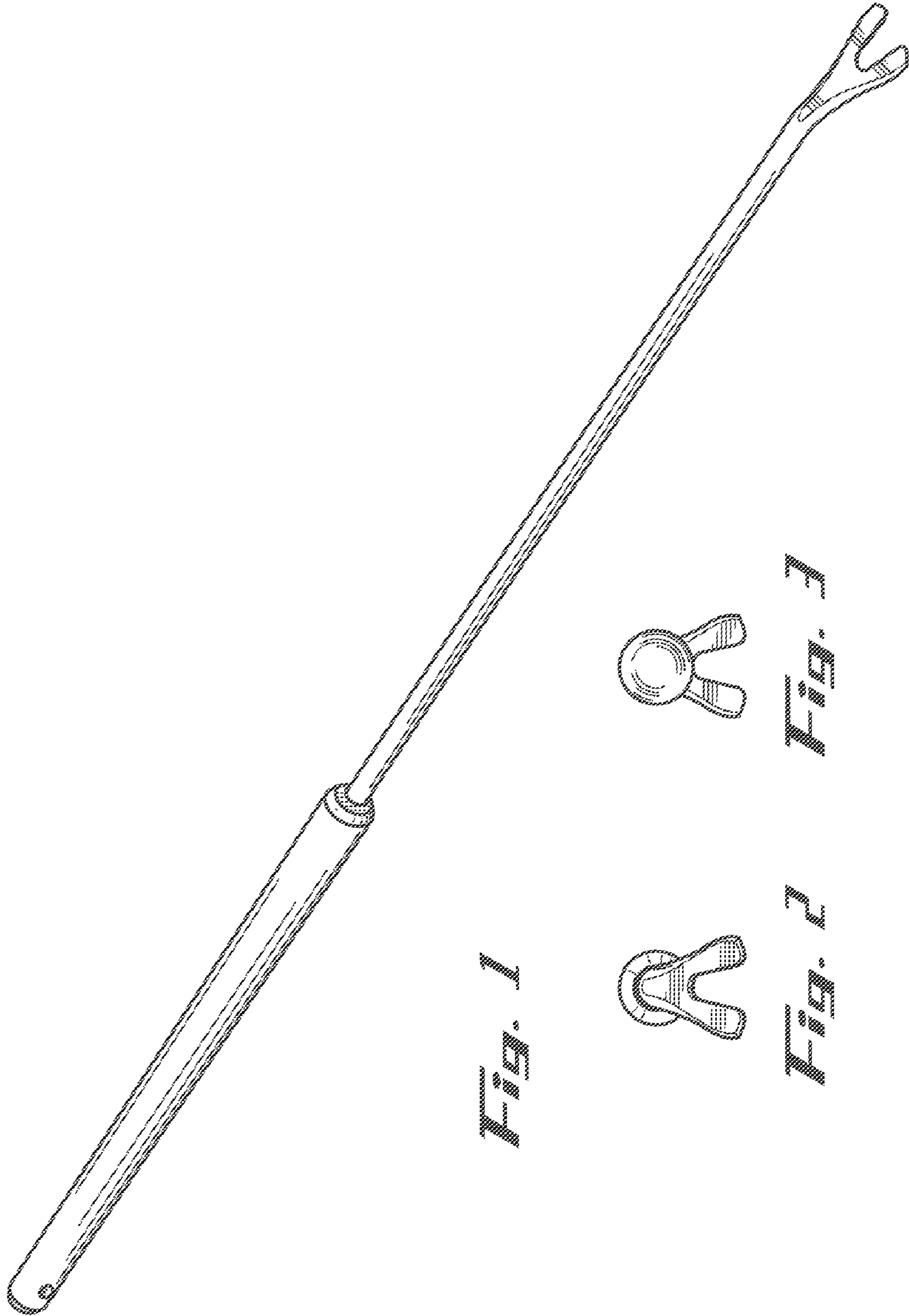
The ornamental design of a barbeque grill cleaner, as shown  
and described.

**DESCRIPTION**

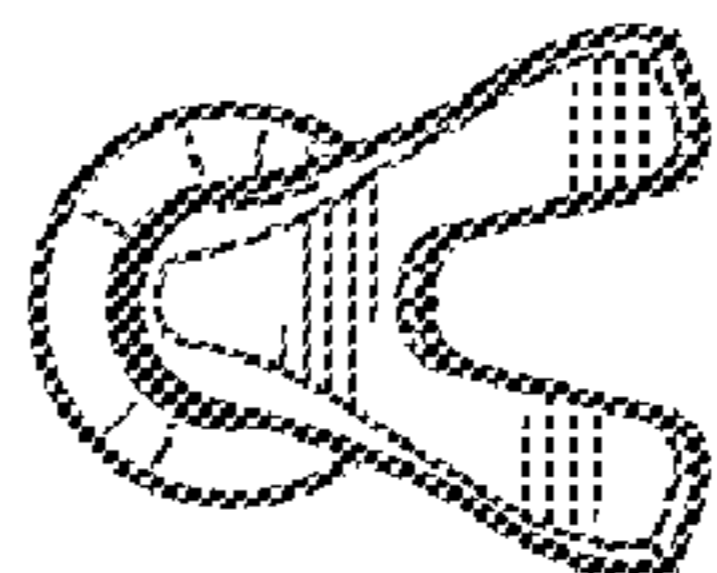
FIG. 1 is Top Perspective View;  
FIG. 2 is a Front End Elevation View;  
FIG. 3 is a Rear End Elevation View;  
FIG. 4 is a Side Elevation View, wherein the other side is  
symmetrical;  
FIG. 5 is a Top Plan View; and,  
FIG. 6 is Bottom Plan View.

**1 Claim, 2 Drawing Sheets**





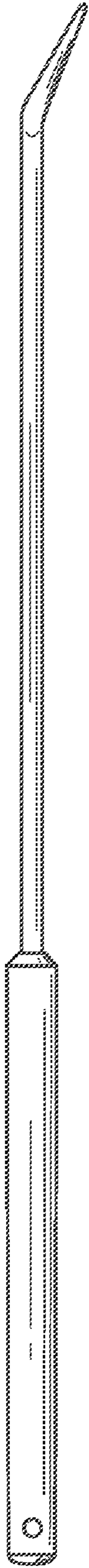
*Fig. 1*



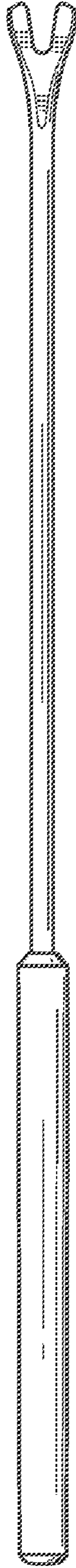
*Fig. 2*



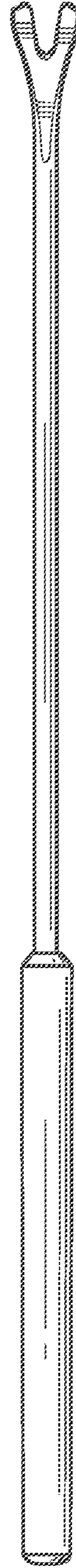
*Fig. 3*



*Fig. 4*



*Fig. 5*



*Fig. 6*