

US00D571512S

(12) **United States Design Patent** (10) **Patent No.:** **US D571,512 S**
Dammkoehler et al. (45) **Date of Patent:** **** Jun. 17, 2008**

(54) **HIGH PRESSURE CLEANER**

(75) Inventors: **Denis Dammkoehler**, Backnang (DE);
Tim Storti, Schwieberdingen (DE);
Christian Rummel, Benningen a.N.
(DE)

(73) Assignee: **Alfred Kaercher GmbH & Co. KG**,
Winnenden (DE)

(**) Term: **14 Years**

(21) Appl. No.: **29/288,521**

(22) Filed: **Jun. 12, 2007**

(30) **Foreign Application Priority Data**

Dec. 14, 2006 (EM) 000637889

(51) **LOC (8) Cl.** **15-05**

(52) **U.S. Cl.** **D32/15**

(58) **Field of Classification Search** D32/1,
D32/15-17, 19-23; 15/320-321, 323, 353,
15/49.1, 327.1-327.2, 327.6; 134/18
See application file for complete search history.

(56) **References Cited**

U.S. PATENT DOCUMENTS

4,759,094	A *	7/1988	Palmer et al.	15/320
D369,446	S *	4/1996	Smith	D32/19
5,890,258	A *	4/1999	Lee	15/320
D544,659	S *	6/2007	Auerswald et al.	D32/16
D549,405	S *	8/2007	Dammkoehler	D32/16
2003/0070252	A1 *	4/2003	Pedlar et al.	15/401
2006/0236494	A1 *	10/2006	Nelson et al.	15/320

OTHER PUBLICATIONS

http://www.karchercommercial.com/images/productseries/hw_com.jpg
Dec. 14, 2007.*
http://www.karchercommercial.com/images/productseries/hds_clasic_hw_1.jpg Dec. 14, 2007.*
http://www.karchercommercial.com/images/productseries/hds_full_size_sm.jpg Dec. 14, 2007.*

Extract from catalog of Alfred Kaercher GmbH & Co. KG, "Catalogue 2001/2002", cover, pp. 20, 21, 87 and last page (Jun. 2001).

Extract from catalog of Alfred Kaercher GmbH & Co. KG, "Programme 2002", cover, pp. 38, 48, 50, 52, 53, 58 and last page (Feb. 2002).

Extract from catalog of Alfred Kaercher GmbH & Co. KG, "Programme 2003", cover, pp. 12, 46, 52, 53, 56, 58, 60, 61, 66 and last page (Dec. 2002).

Extract from catalog of Alfred Kaercher GmbH & Co. KG, "Programme 2004", cover, pp. 16, 78, 79, 80, 81, 82, 83, 85, 92 and last page (Feb. 2004).

Extract from catalog of Alfred Kaercher GmbH & Co. KG, "Programme 2005", cover, pp. 14, 75, 78, 79, 80, 81, 82, 83, 85 and last page (Dec. 2004).

Extract from catalog of Alfred Kaercher GmbH & Co. KG, "Programme 2006", cover, pp. 86, 87, 88, 89, 90, 91, 93 and last page (Dec. 2005).

* cited by examiner

Primary Examiner—Louis S Zarfaz

Assistant Examiner—Kathleen M Sims

(74) *Attorney, Agent, or Firm*—Lipsitz & McAllister LLC

(57) **CLAIM**

The ornamental design for a high pressure cleaner, as shown and described.

DESCRIPTION

FIG. 1 is a front, top, right side perspective view of a high pressure cleaner showing our new design;

FIG. 2 is a top, front and left side perspective view thereof;

FIG. 3 is a front elevational view thereof;

FIG. 4 is a right side elevational view thereof;

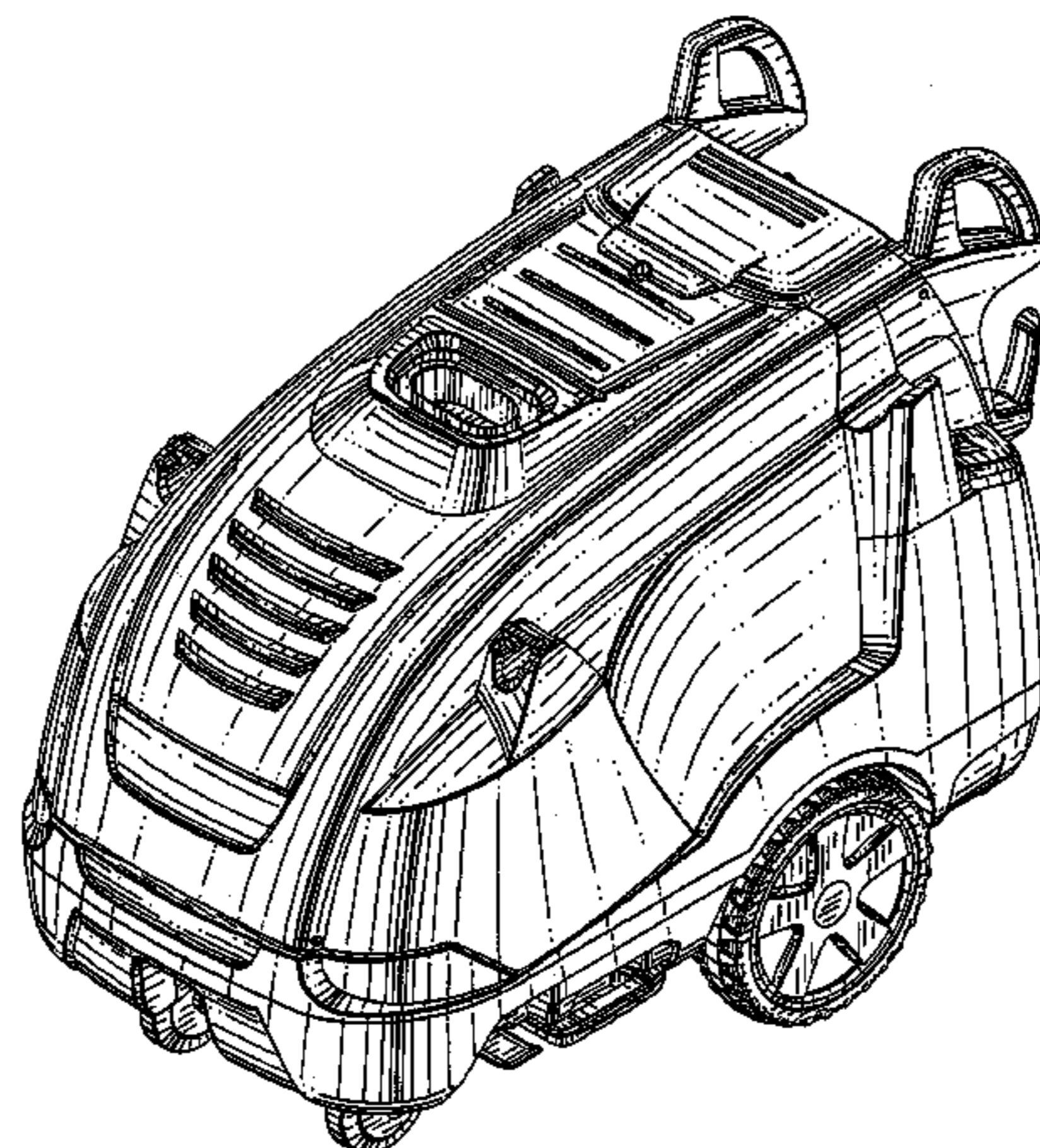
FIG. 5 is a rear elevational view thereof;

FIG. 6 is a left side elevational view thereof;

FIG. 7 is a top plan view thereof; and,

FIG. 8 is a bottom plan view thereof.

1 Claim, 8 Drawing Sheets



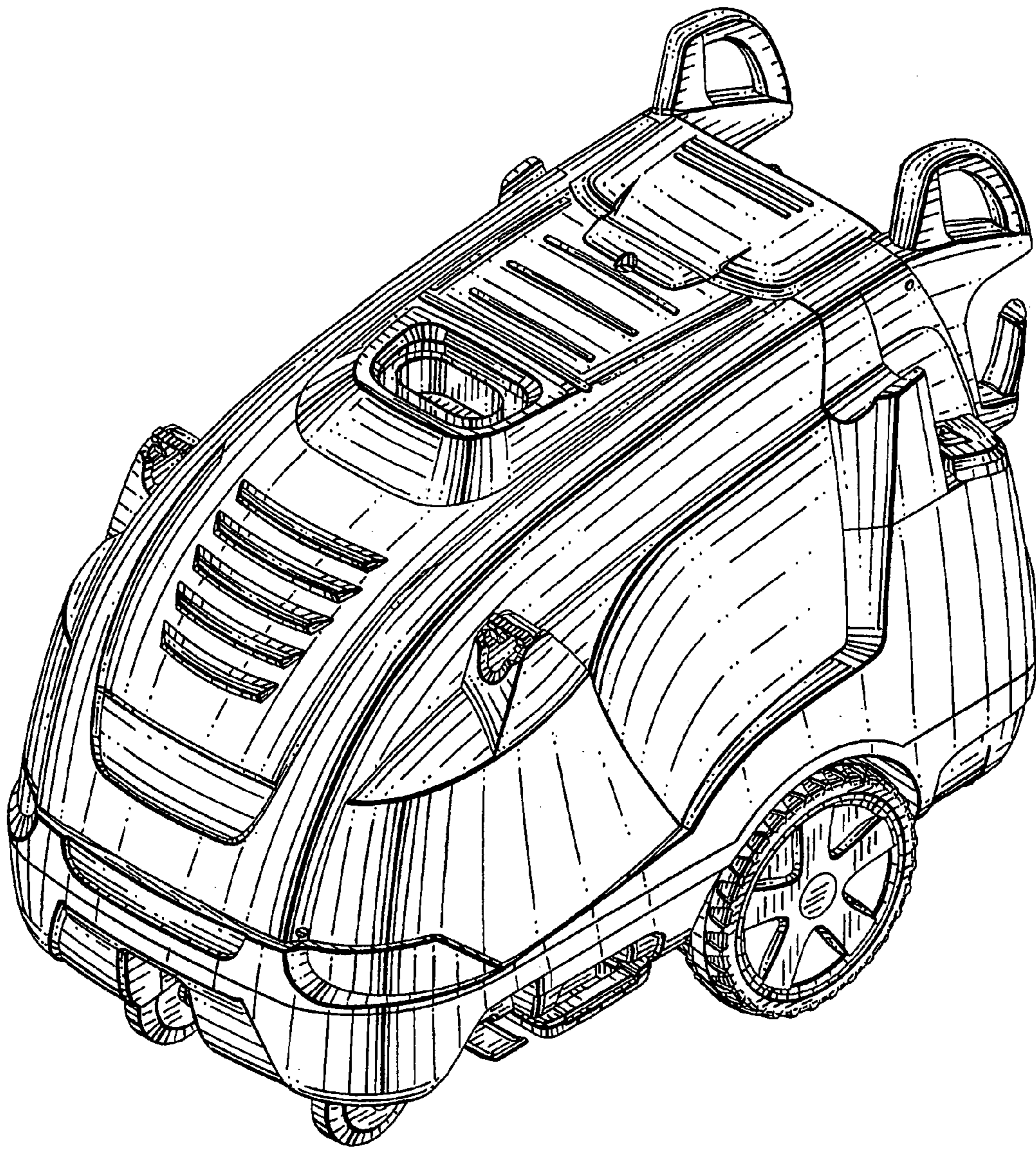


FIG. 1

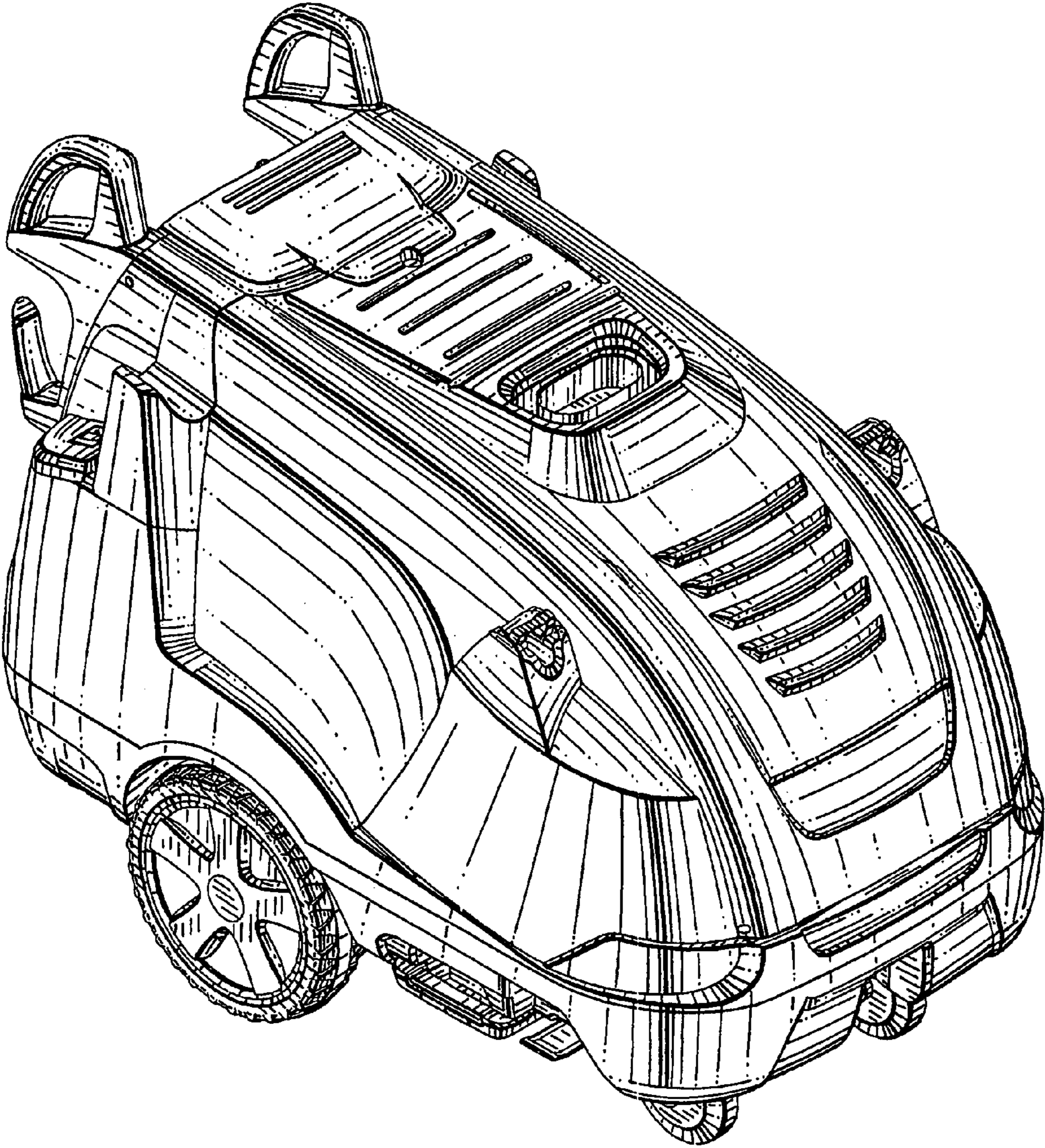


FIG.2

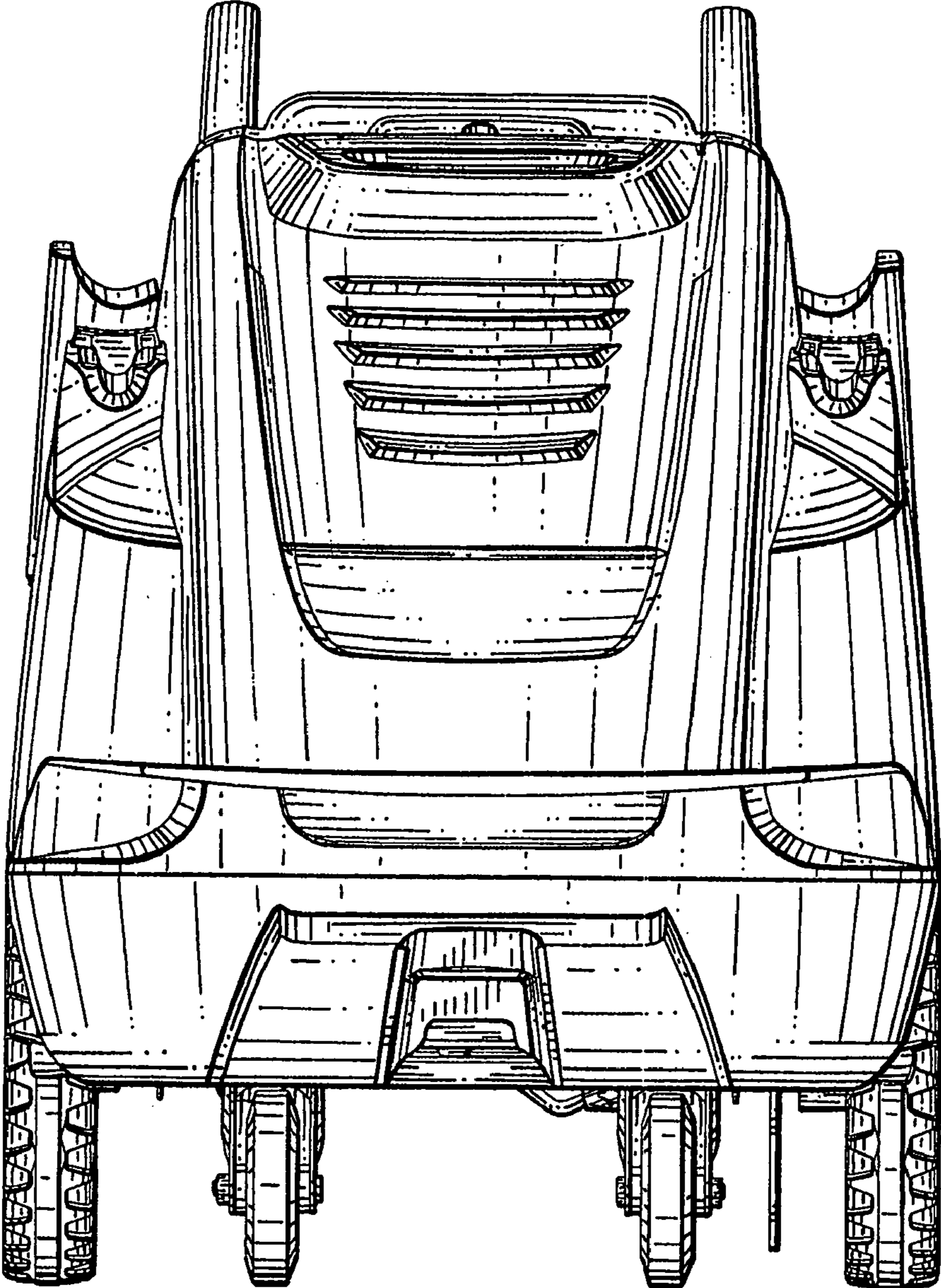


FIG.3

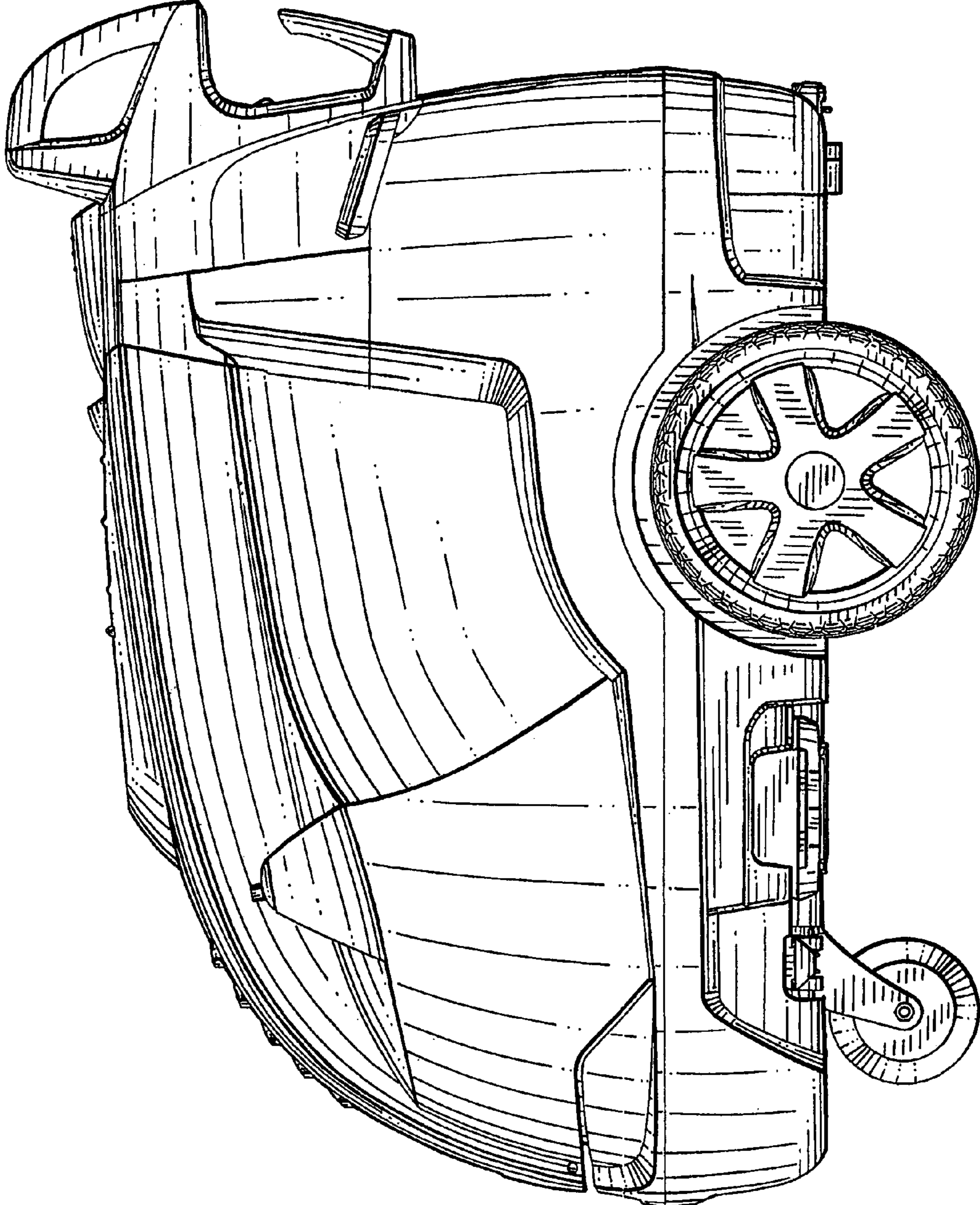


FIG.4

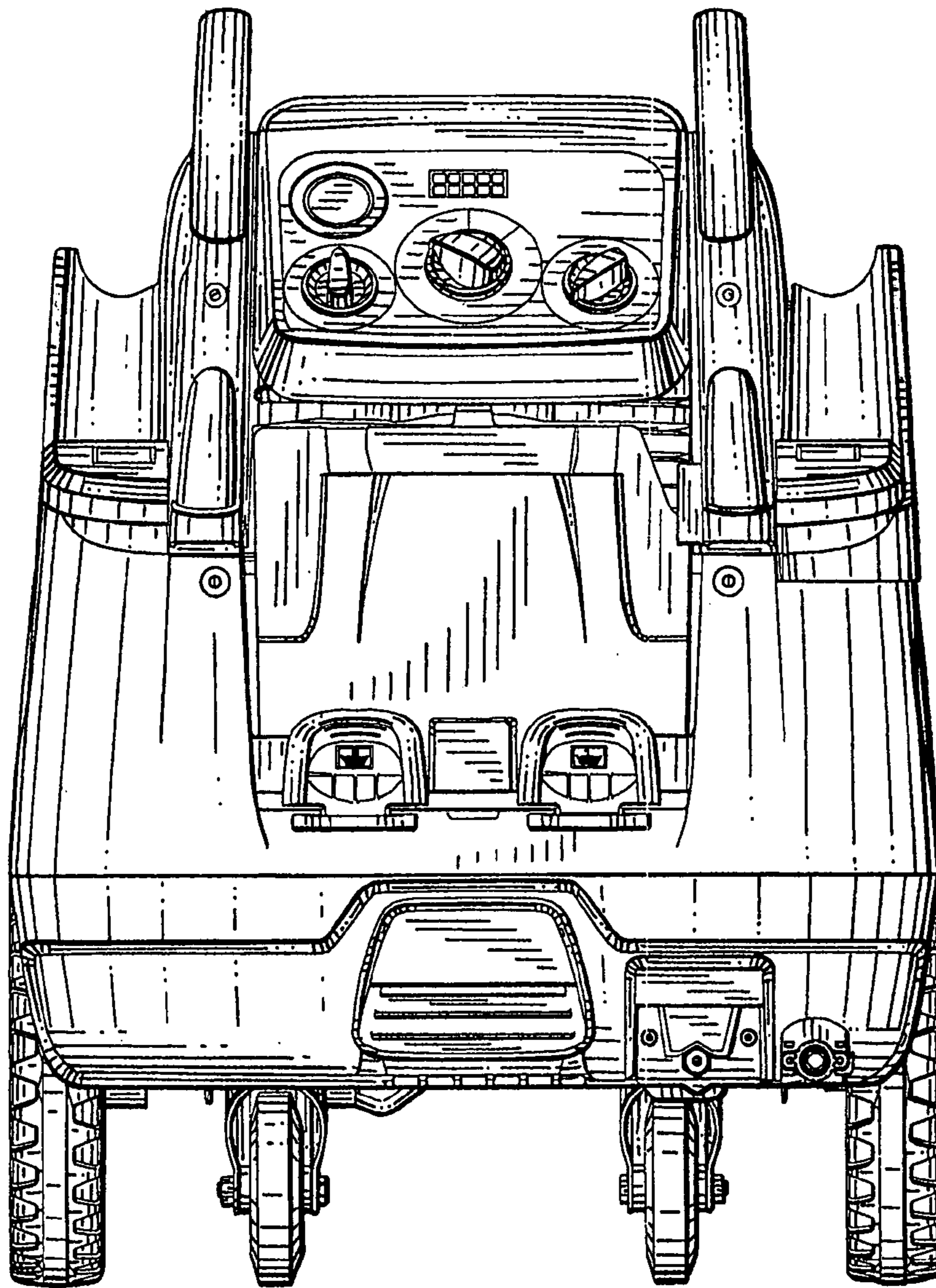


FIG.5

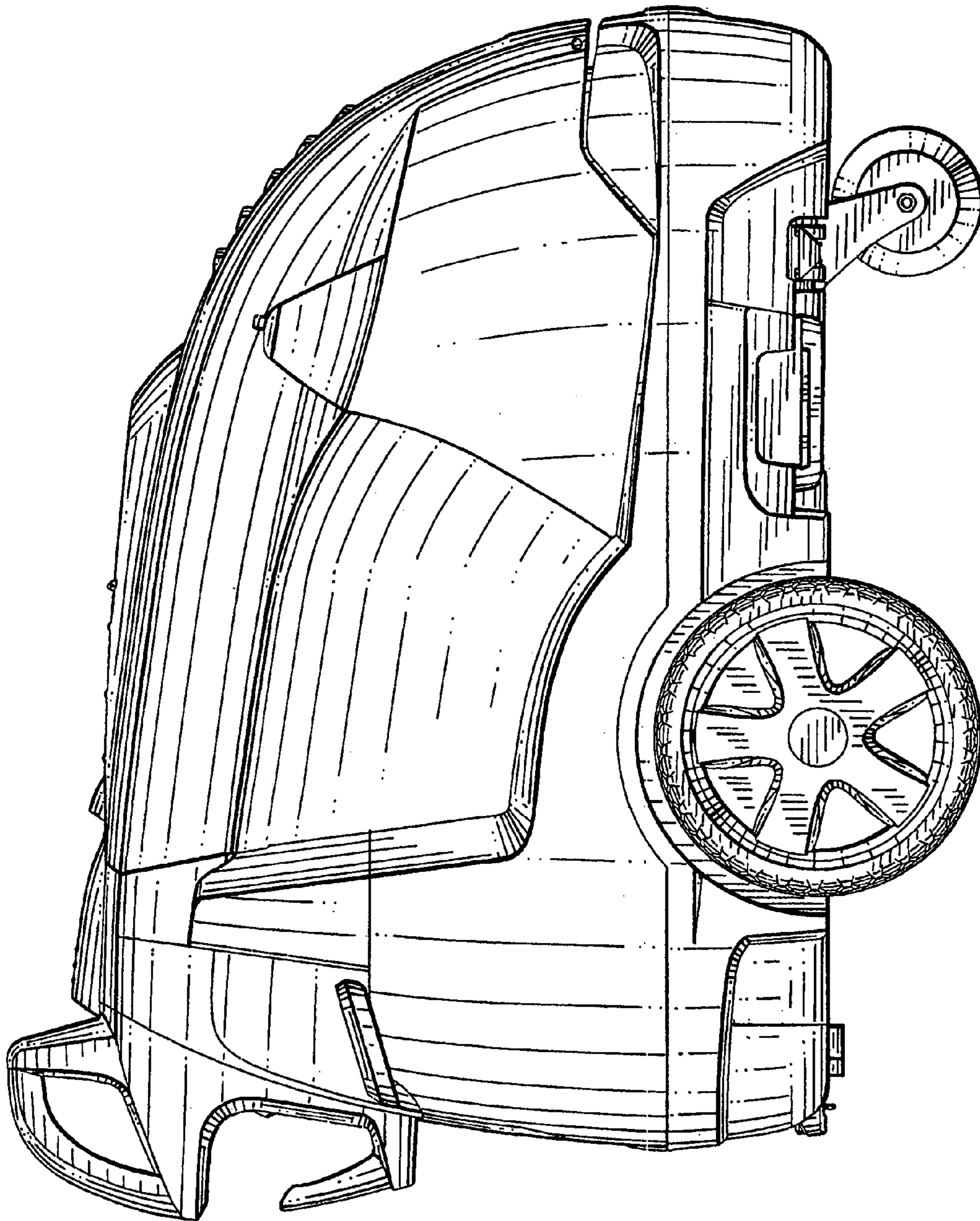


FIG. 6

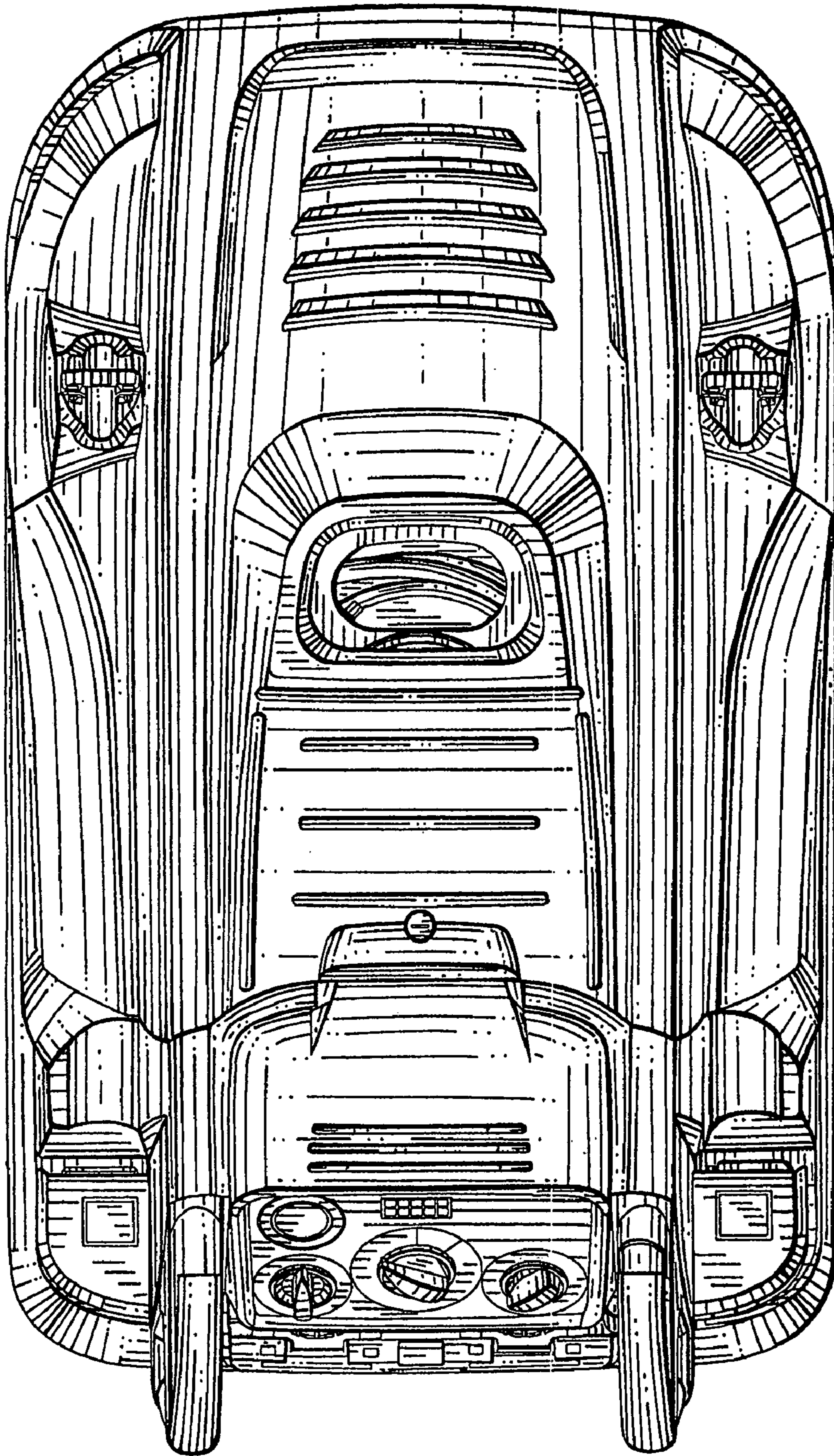


FIG. 7

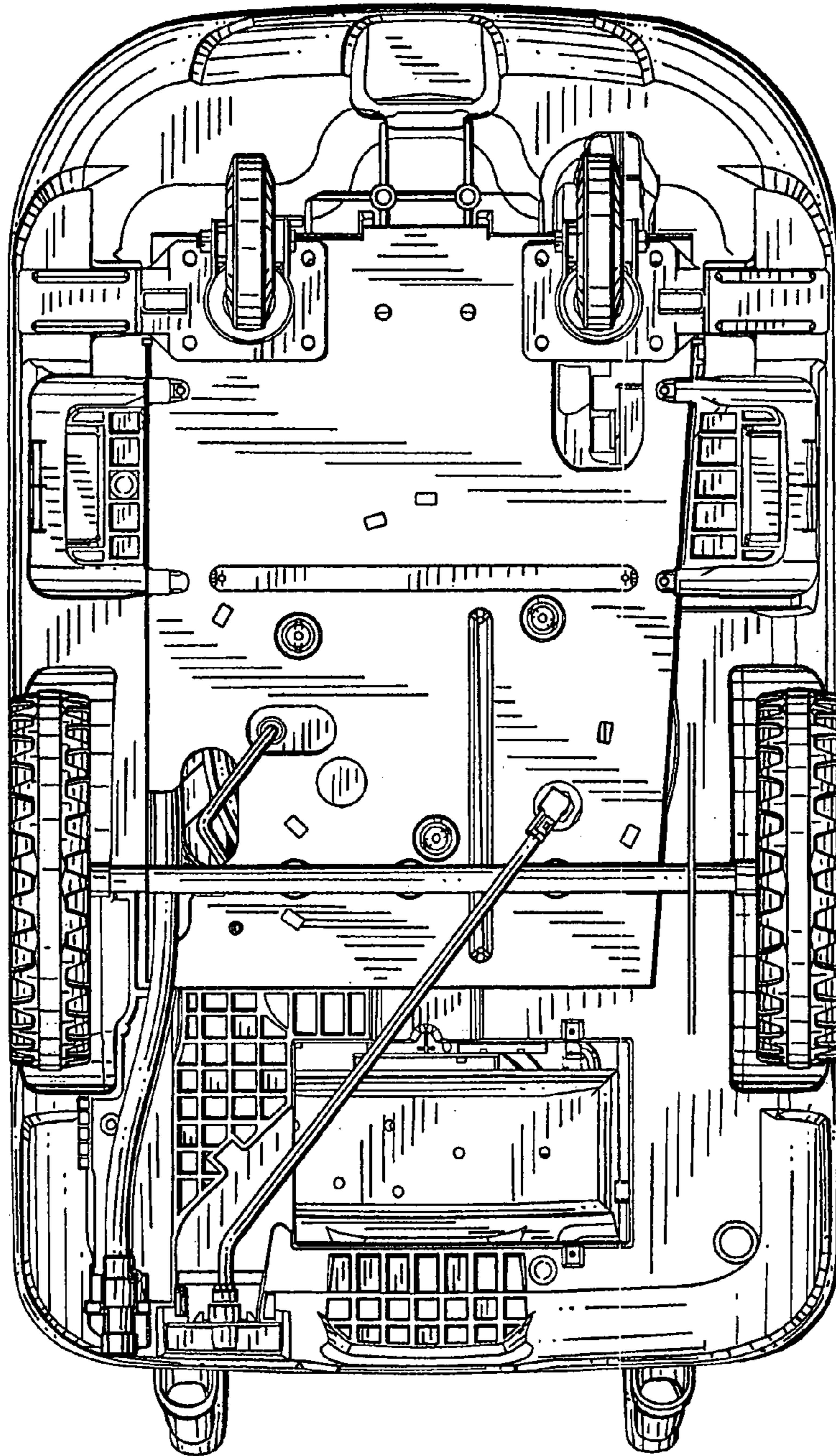


FIG. 8