



US00D571510S

(12) **United States Design Patent**  
**Cadamuro**

(10) **Patent No.:** **US D571,510 S**  
(45) **Date of Patent:** **\*\* Jun. 17, 2008**

(54) **LAUNDRY APPLIANCE**

(75) Inventor: **Michele Cadamuro**, Cimadolmo (IT)

(73) Assignee: **Electrolux Professional SpA**,  
Pordenone (IT)

(\*\*) Term: **14 Years**

(21) Appl. No.: **29/283,283**

(22) Filed: **Aug. 9, 2007**

(51) **LOC (8) Cl.** ..... **15-05**

(52) **U.S. Cl.** ..... **D32/6; D32/8**

(58) **Field of Classification Search** ..... D32/1,  
D32/5-6, 8, 25, 28; 38/1 A; 312/31; 34/58,  
34/87-88, 108-109, 130-132, 417, 499,  
34/523-524, 534, 595-597, 600, 603; 68/3 R,  
68/4, 5 R, 12.01, 12.08, 212, 139

See application file for complete search history.

(56) **References Cited**

**U.S. PATENT DOCUMENTS**

D236,152 S	*	7/1975	Yamamoto	.....	D32/8
D271,147 S	*	10/1983	Krebs	.....	D32/6
D271,148 S	*	10/1983	Krebs	.....	D32/6
D340,785 S	*	10/1993	Bover	.....	D32/6
D450,164 S	*	11/2001	Dyson et al.	.....	D32/6
D456,572 S	*	4/2002	Resuello et al.	.....	D32/6
D553,309 S	*	10/2007	Revoldini et al.	.....	D32/6

**OTHER PUBLICATIONS**

<http://www.laundrysystems.electrolux.it/node129.asp?ProdID=2948> Feb. 12, 2008.\*

<http://www.laundrysystems.electrolux.it/node129.asp?ProdID=2945> Feb. 12, 2008.\*

\* cited by examiner

*Primary Examiner*—Louis S Zarfaz

*Assistant Examiner*—Kathleen M Sims

(74) *Attorney, Agent, or Firm*—Pearne & Gordon LLP

(57) **CLAIM**

The ornamental design for a laundry appliance, as shown and described.

**DESCRIPTION**

FIG. 1 is a perspective view of a laundry appliance showing my new design;

FIG. 2 is a front view thereof;

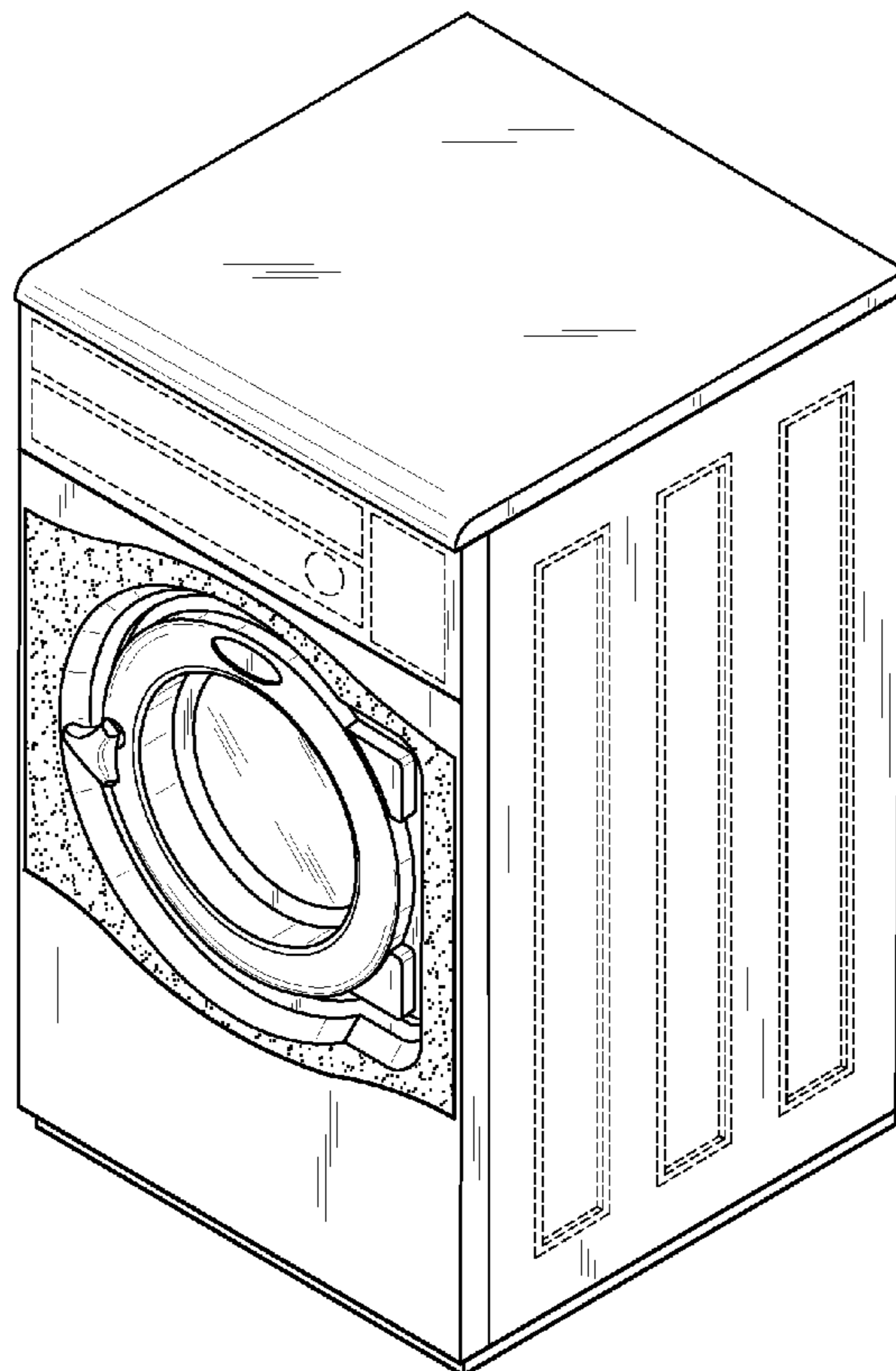
FIG. 3 is a top view thereof; and

FIG. 4 is a right side view thereof; and,

FIG. 5 is a left side view thereof.

The broken line showing of the various surface details in FIGS. 1-5 are for the purpose of illustration only and form no part of the claimed design. The stippling shown in FIGS. 1 and 2 is provided to illustrate contrasting surfaces, and does not represent any particular color, pattern or surface texture.

**1 Claim, 3 Drawing Sheets**



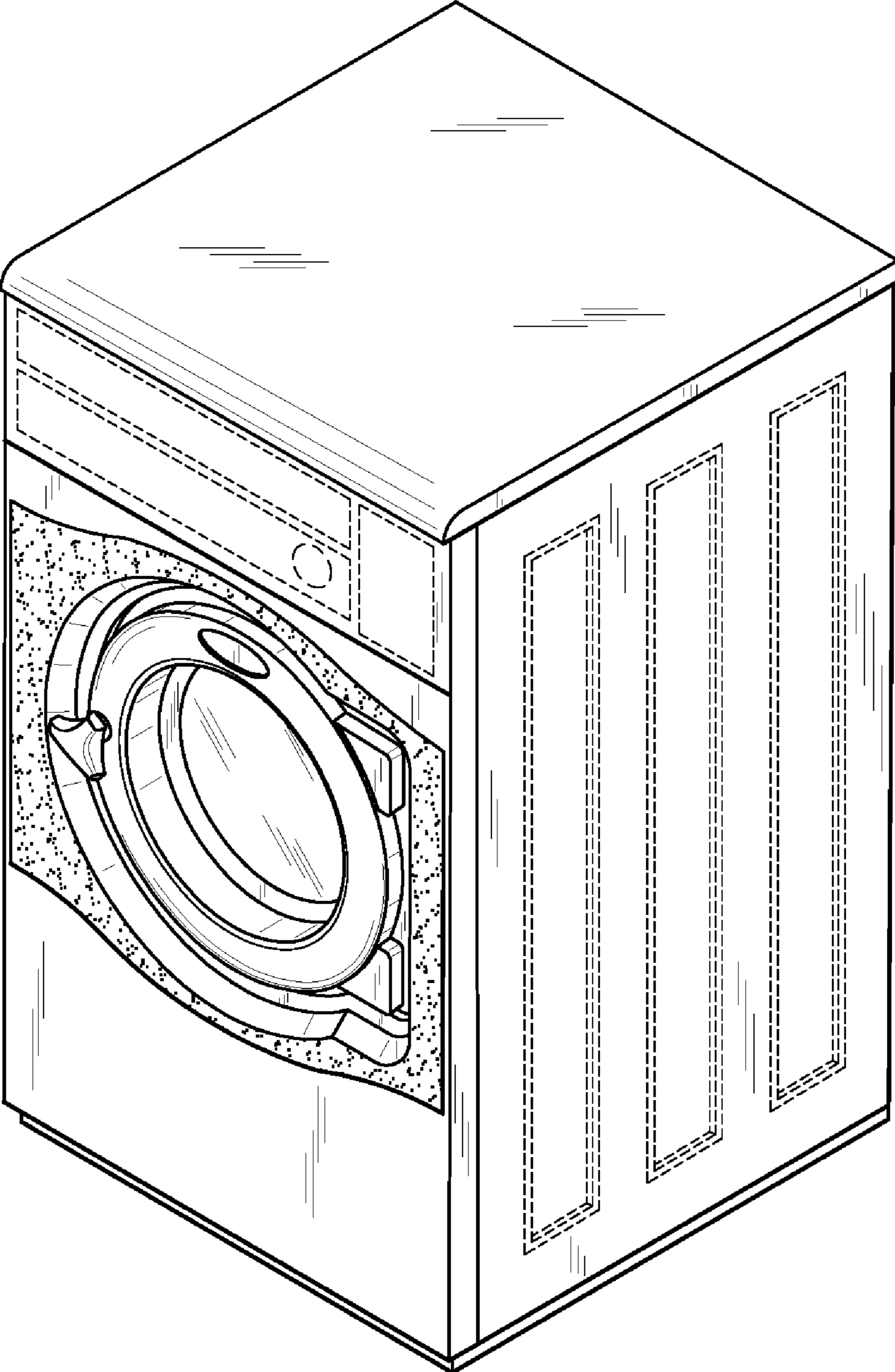


FIG. 1

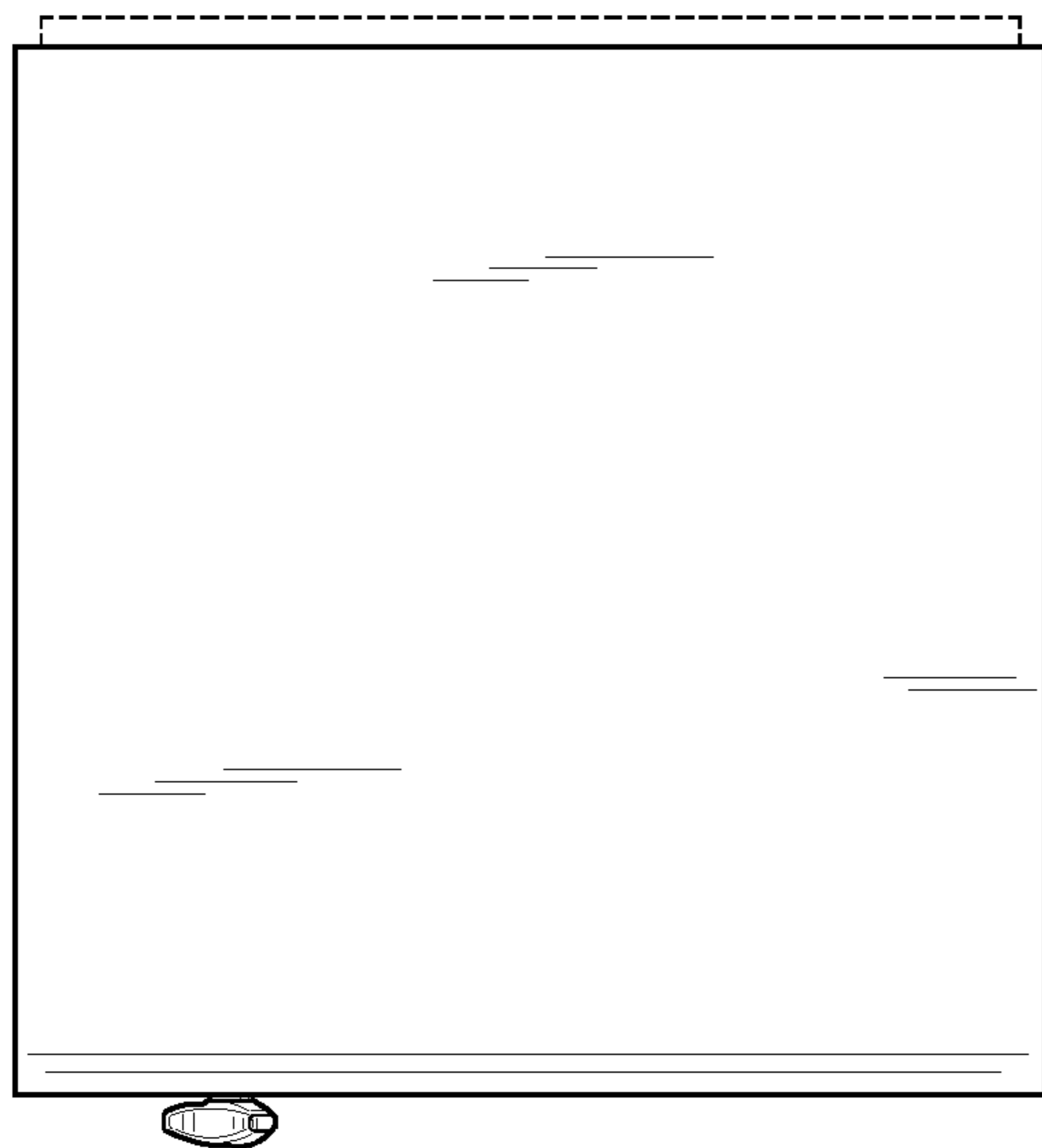


FIG. 3

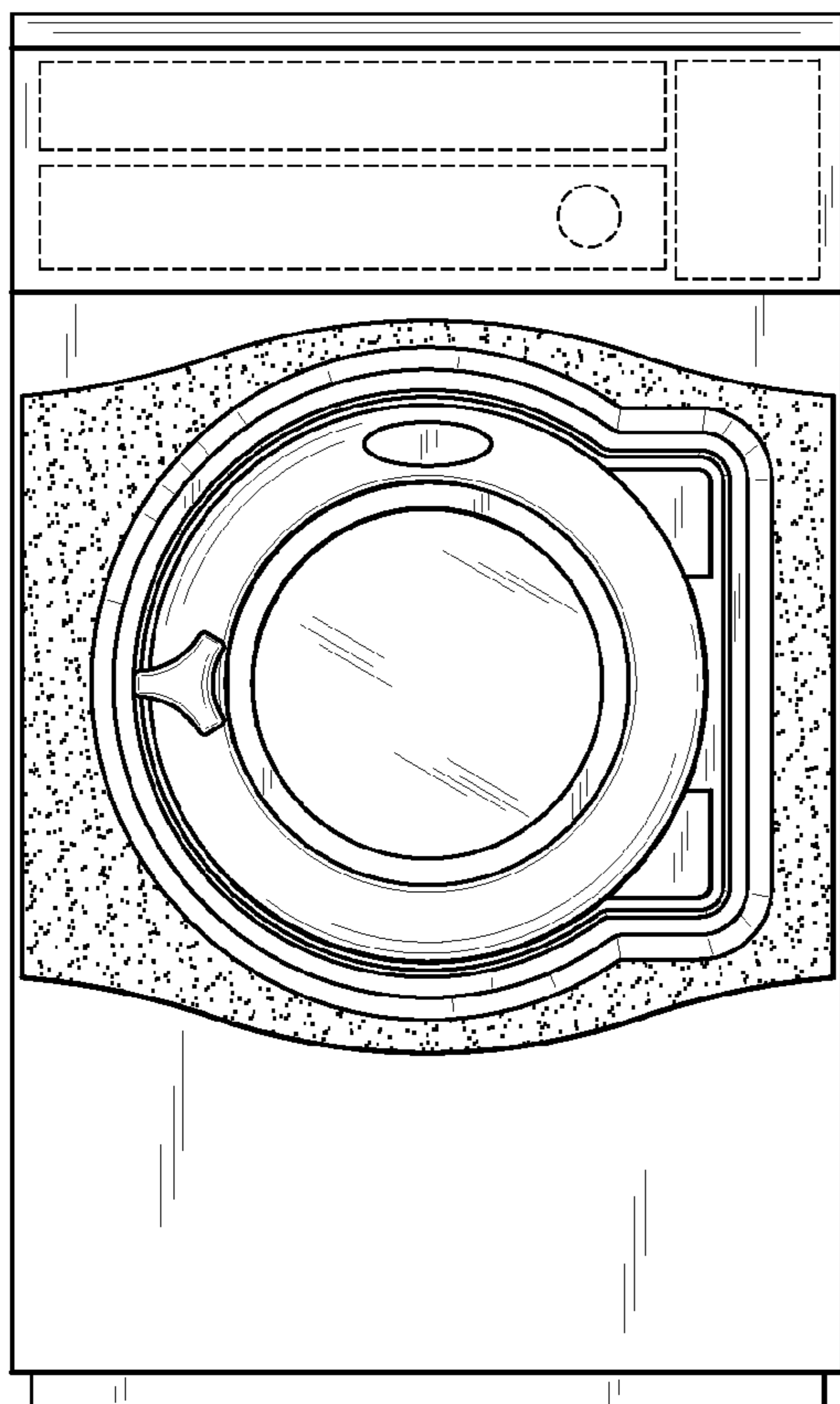


FIG. 2

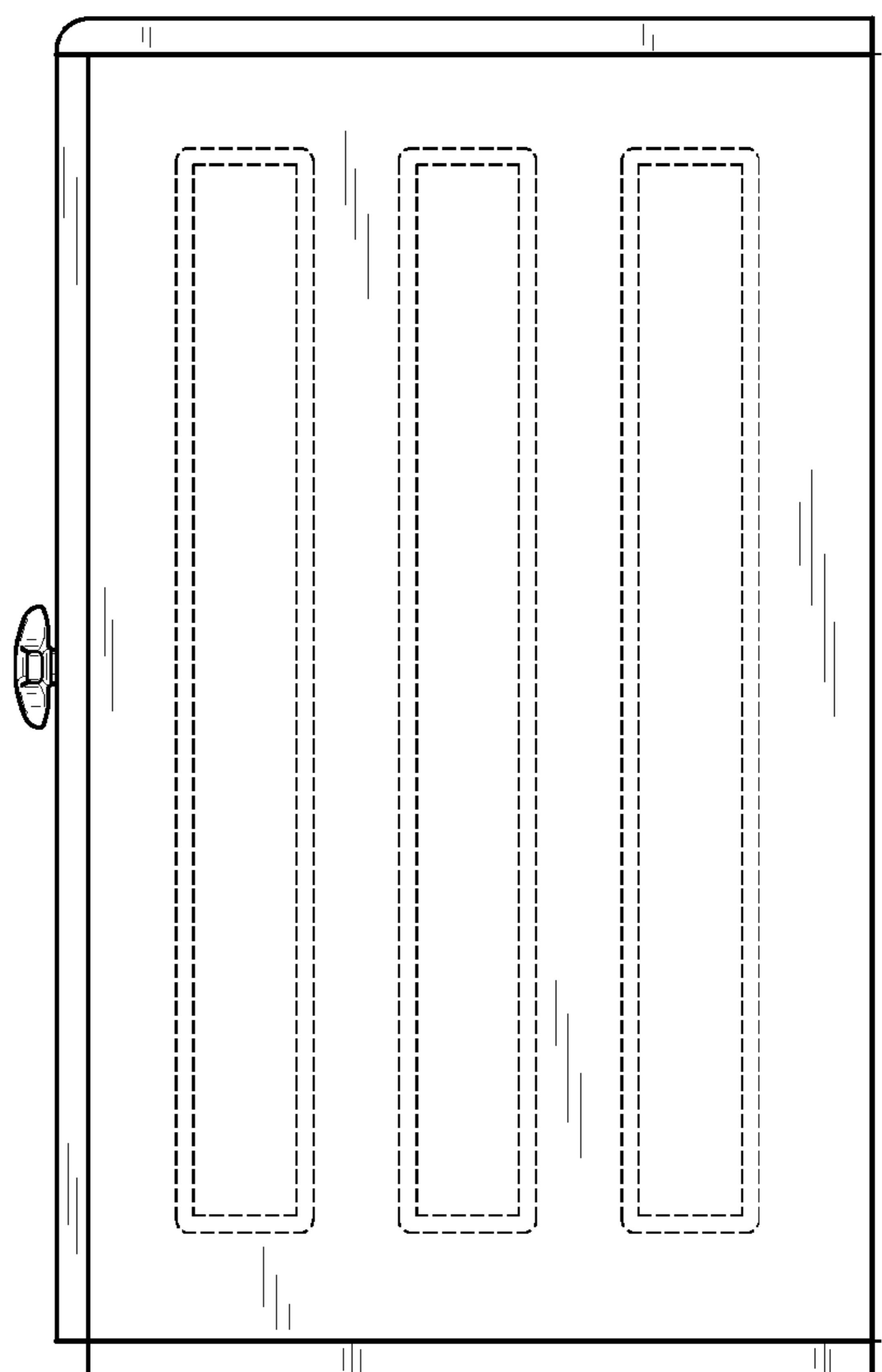
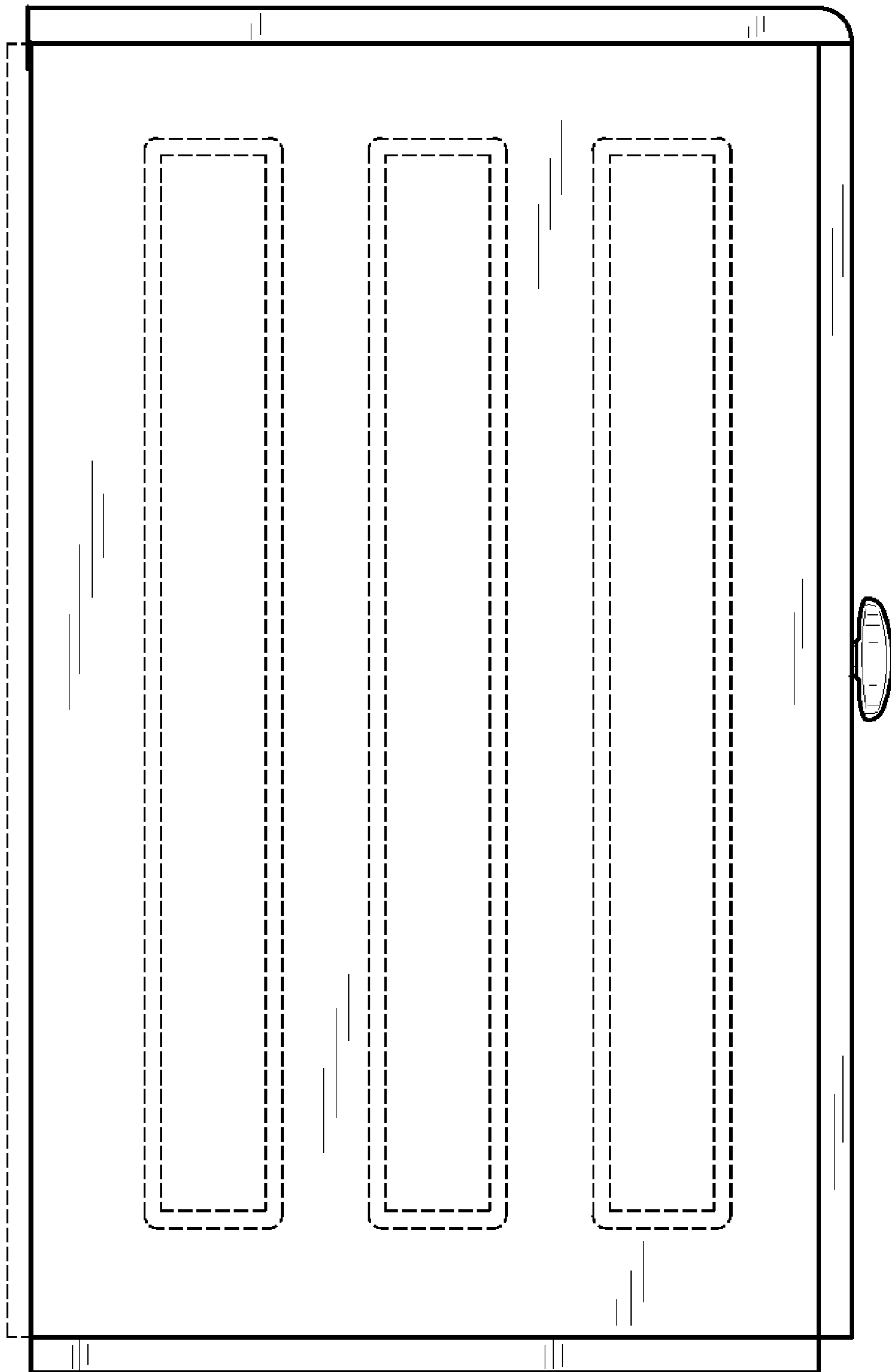


FIG. 4



**FIG. 5**

UNITED STATES PATENT AND TRADEMARK OFFICE  
**CERTIFICATE OF CORRECTION**

PATENT NO. : Des. 571,510 S  
APPLICATION NO. : 29/283283  
DATED : June 17, 2008  
INVENTOR(S) : Michele Cadamuro

Page 1 of 1

It is certified that error appears in the above-identified patent and that said Letters Patent is hereby corrected as shown below:

Title Page: Insert

Item --30: Foreign Application Data

Feb. 12, 2007 (EM) 00669056--

Signed and Sealed this

Twenty-second Day of June, 2010

A handwritten signature in black ink that reads "David J. Kappos". The signature is written in a cursive, flowing style.

David J. Kappos  
*Director of the United States Patent and Trademark Office*