

US00D571505S

(12) **United States Design Patent**  
**Mettler et al.**

(10) **Patent No.:** **US D571,505 S**  
(45) **Date of Patent:** **\*\* Jun. 17, 2008**

(54) **TRAY FOR A PERSONAL CARE PRODUCT CONTAINER**

D371,958 S \* 7/1996 Keaton ..... D7/501  
D386,792 S \* 11/1997 Miller ..... D7/501  
2006/0060743 A1\* 3/2006 Kelley et al. .... 248/346.11

(75) Inventors: **Mark F. Mettler**, Spring Lake, MI (US); **Olivier J. P. van Doorne**, New York, NY (US); **Joe D. Doucet**, New York, NY (US)

\* cited by examiner

*Primary Examiner*—Jennifer Rivard  
(74) *Attorney, Agent, or Firm*—Warner Norcross & Judd LLP

(73) Assignee: **Access Business Group International LLC**, Ada, MI (US)

(57) **CLAIM**

(\*\*) Term: **14 Years**

The ornamental design for a tray for a personal care product container, as shown and described.

(21) Appl. No.: **29/250,703**

(22) Filed: **Nov. 28, 2006**

**DESCRIPTION**

(51) **LOC (8) Cl.** ..... **28-03**

FIG. 1 is a perspective view of a tray for a personal care product container in accordance with one embodiment of the present invention;

(52) **U.S. Cl.** ..... **D28/73**

FIG. 2 is a side view of the tray for a personal care product container thereof;

(58) **Field of Classification Search** ..... D28/61, D28/73; D7/501, 554.2; D6/526; 206/564; 248/346.11

FIG. 3 is a top view of the tray for a personal care product container thereof; and,

See application file for complete search history.

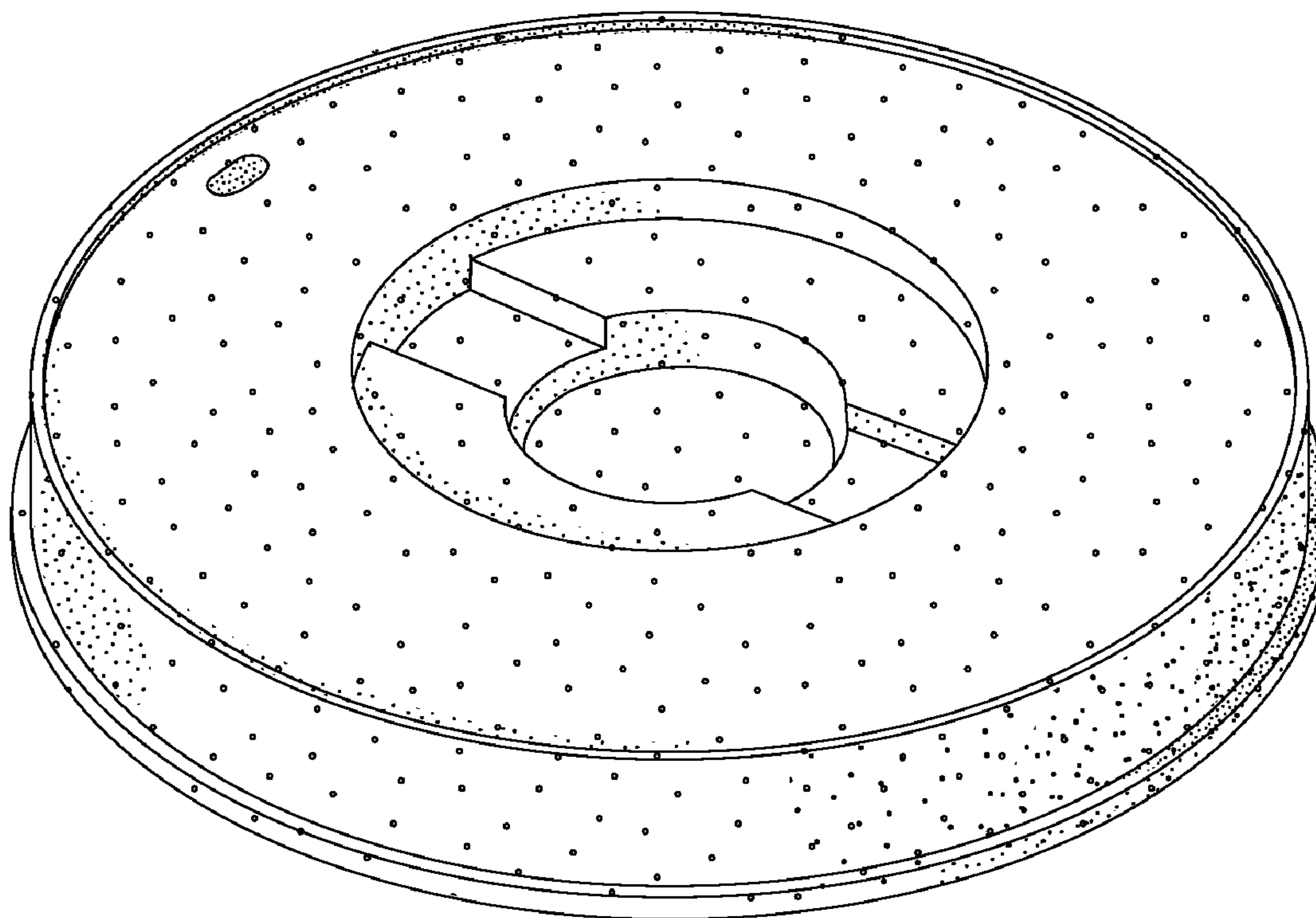
FIG. 4 is a bottom view of the tray for a personal care product container thereof.

(56) **References Cited**

**U.S. PATENT DOCUMENTS**

1,861,095 A \* 5/1932 Schacht ..... 248/346.11

**1 Claim, 3 Drawing Sheets**



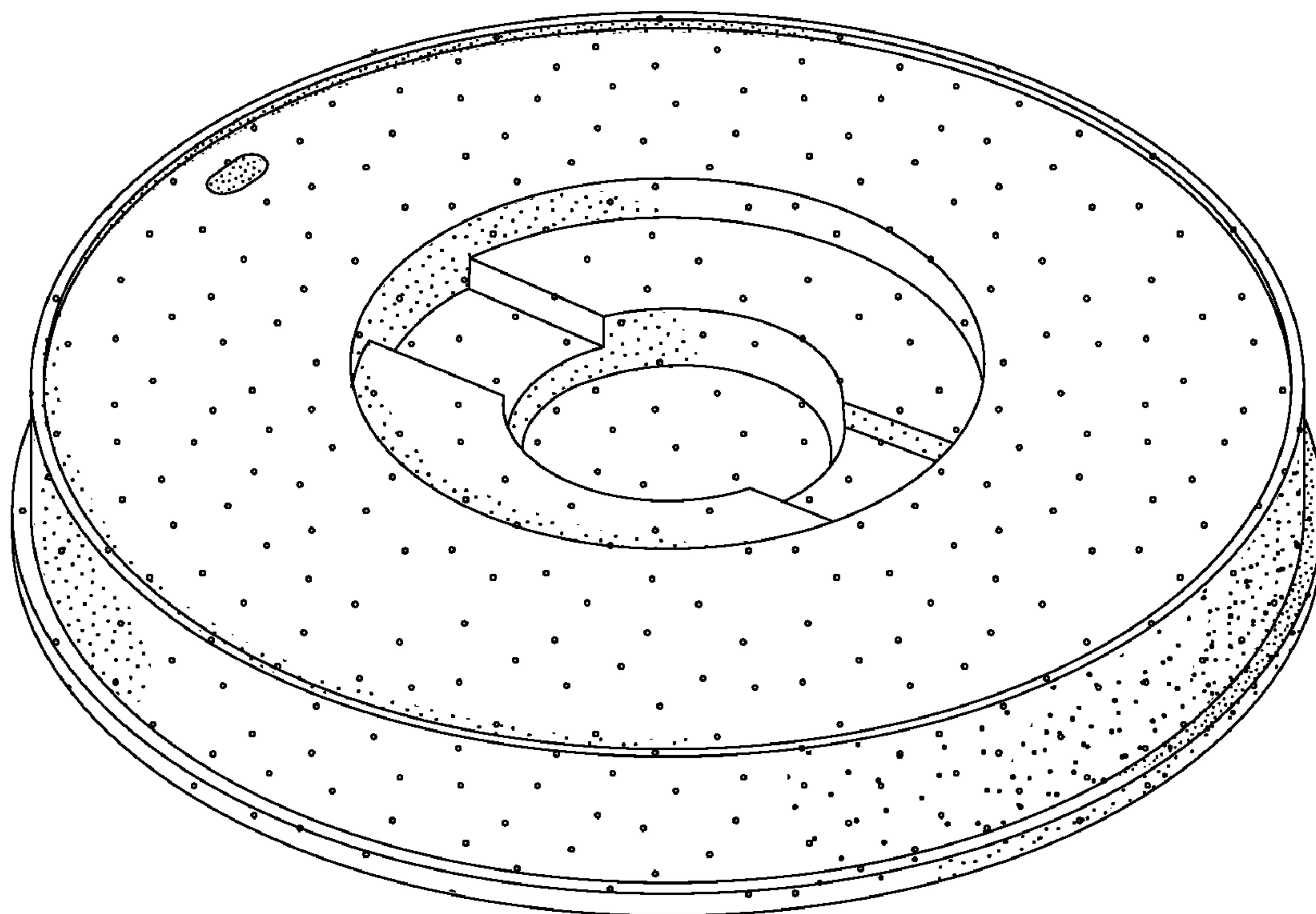


Fig. 1

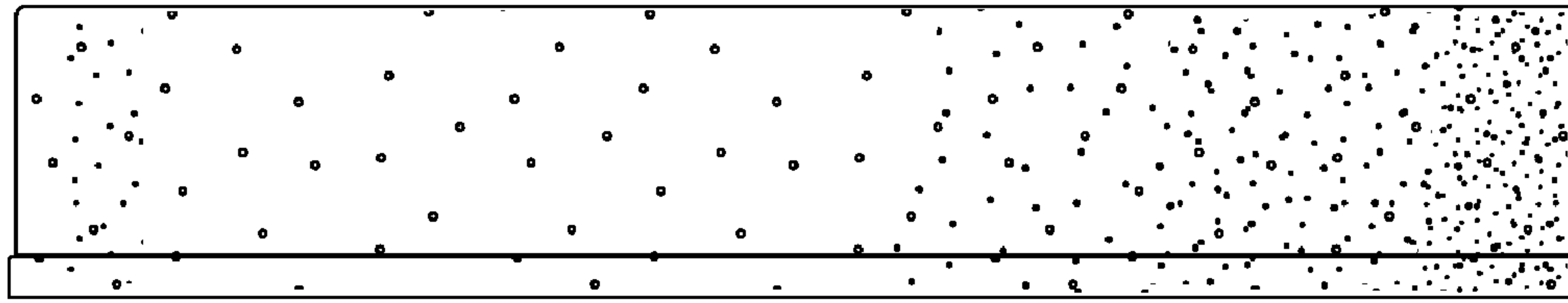


Fig. 2

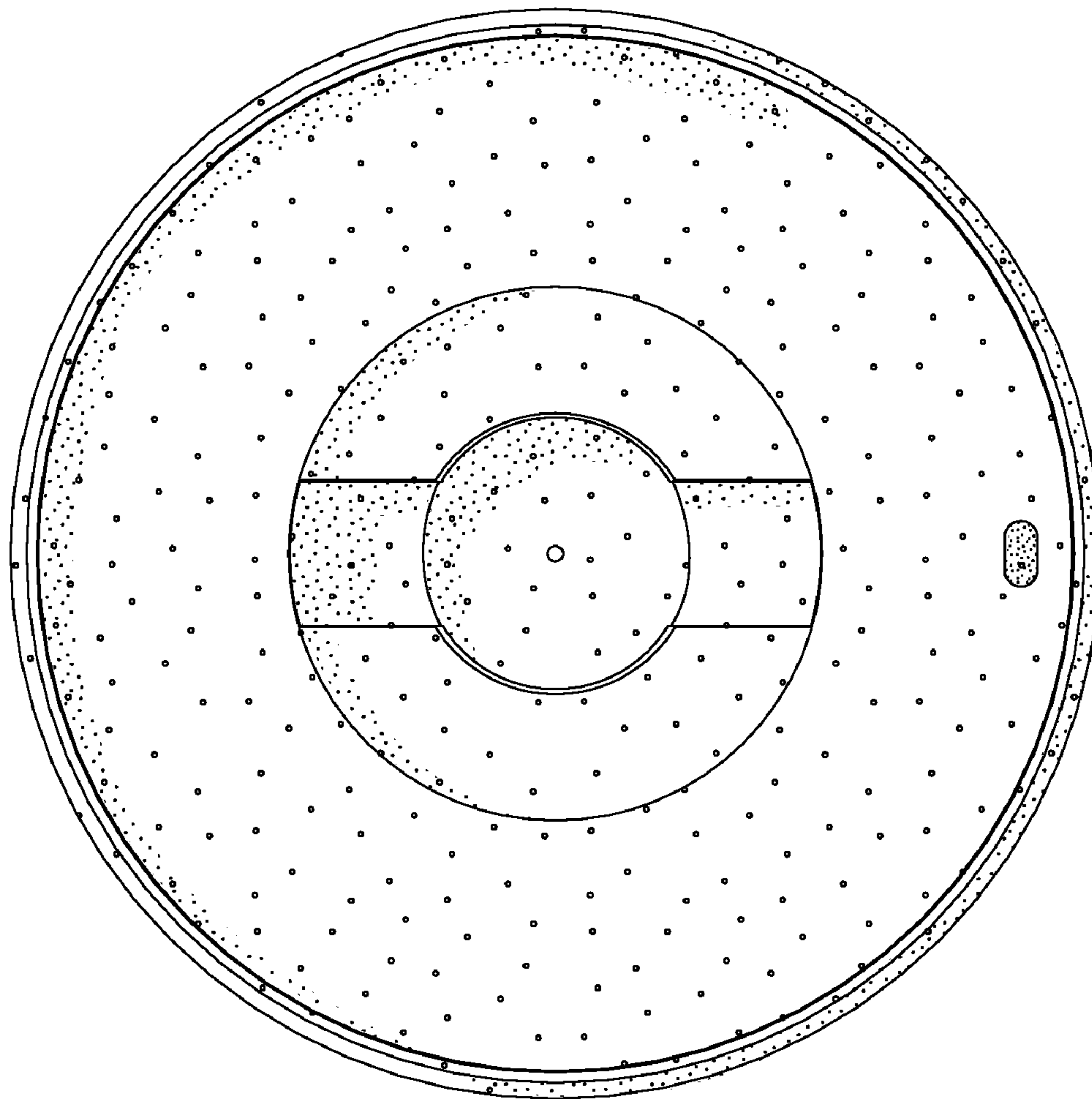


Fig. 3

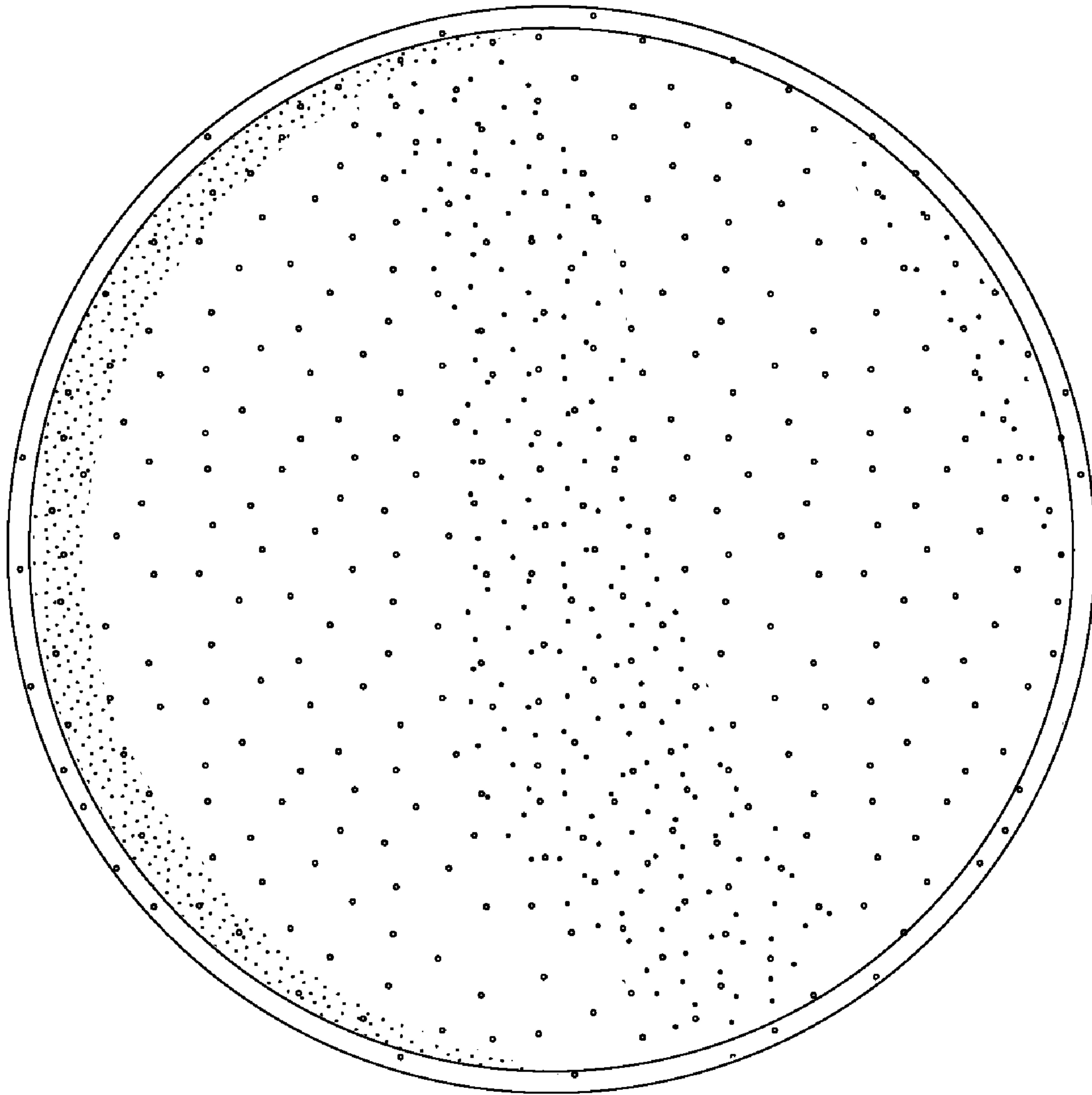


Fig. 4