

US00D571502S

(12) **United States Design Patent**
Kwok

(10) **Patent No.:** **US D571,502 S**

(45) **Date of Patent:** **** Jun. 17, 2008**

(54) **LIGHTER**

(75) Inventor: **Yuen Tung Kwok**, Kowloon Bay (HK)

(73) Assignee: **Kwong Chak Fat Manufactory Ltd.**,
Kowloon Bay (HK)

(**) Term: **14 Years**

(21) Appl. No.: **29/283,726**

(22) Filed: **Aug. 22, 2007**

(51) **LOC (8) Cl.** **27-05**

(52) **U.S. Cl.** **D27/148; D7/681**

(58) **Field of Classification Search** D27/139-161;
431/129, 143, 153, 253-256, 273-277; D7/681;
425/279

See application file for complete search history.

(56) **References Cited**

U.S. PATENT DOCUMENTS

2,210,623 A * 8/1940 Kelly D7/681

D162,435 S * 3/1951 Nugent D7/681
3,476,059 A * 11/1969 Anderson 425/279
5,000,672 A * 3/1991 Halimi 425/279
D490,666 S * 6/2004 Gordon D7/681

* cited by examiner

Primary Examiner—Jennifer Rivard

(57) **CLAIM**

The ornamental design for a lighter, as shown.

DESCRIPTION

FIG. 1 is a front elevational view of a lighter showing my new design;

FIG. 2 is a rear elevational view thereof;

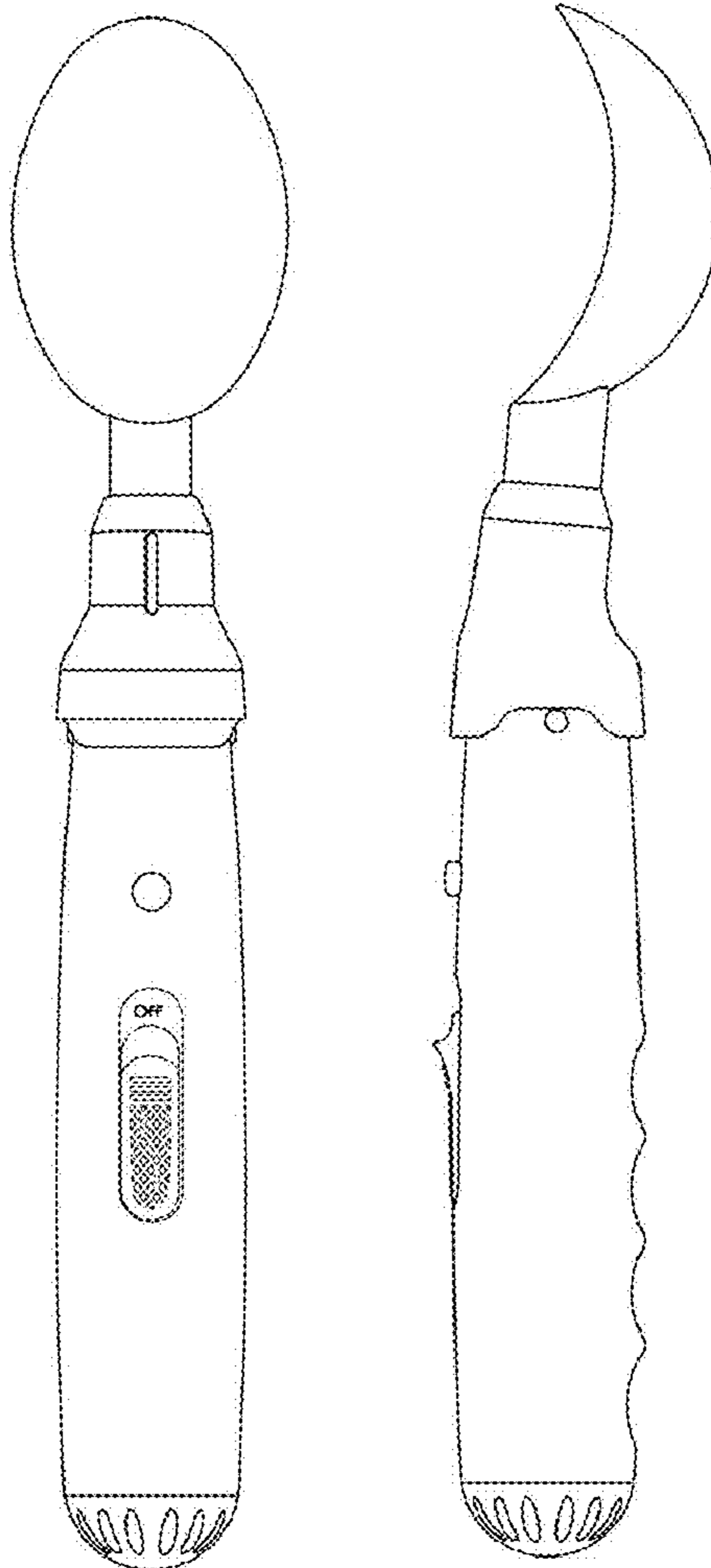
FIG. 3 is a left side view thereof;

FIG. 4 is a right side view thereof;

FIG. 5 is a top plan view thereof; and,

FIG. 6 is a bottom plan view thereof.

1 Claim, 2 Drawing Sheets



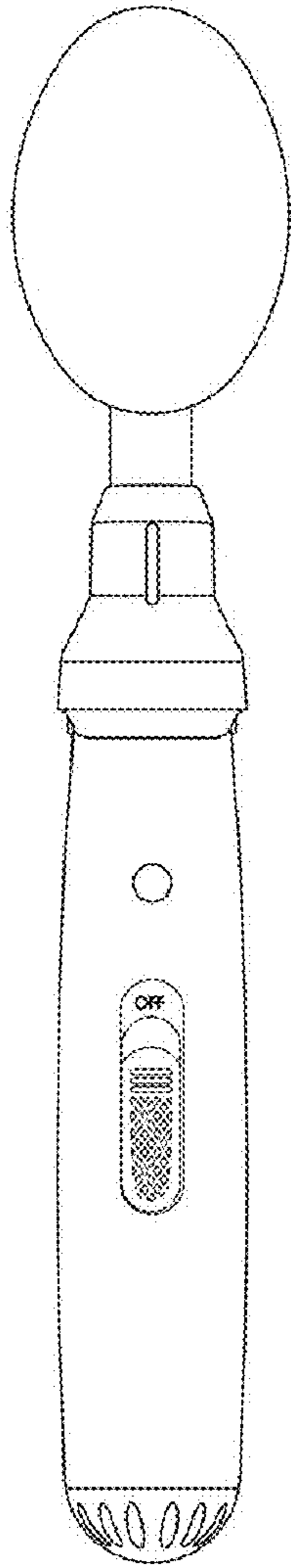


FIG. 1

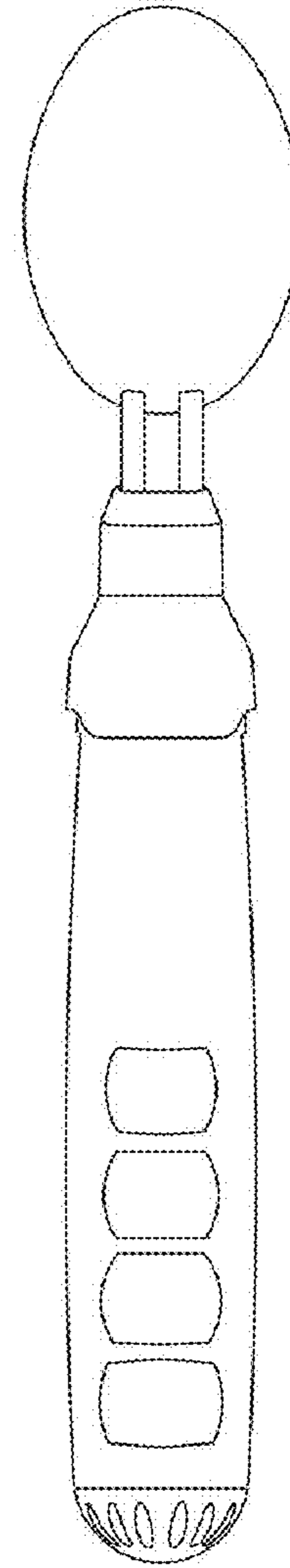


FIG. 2

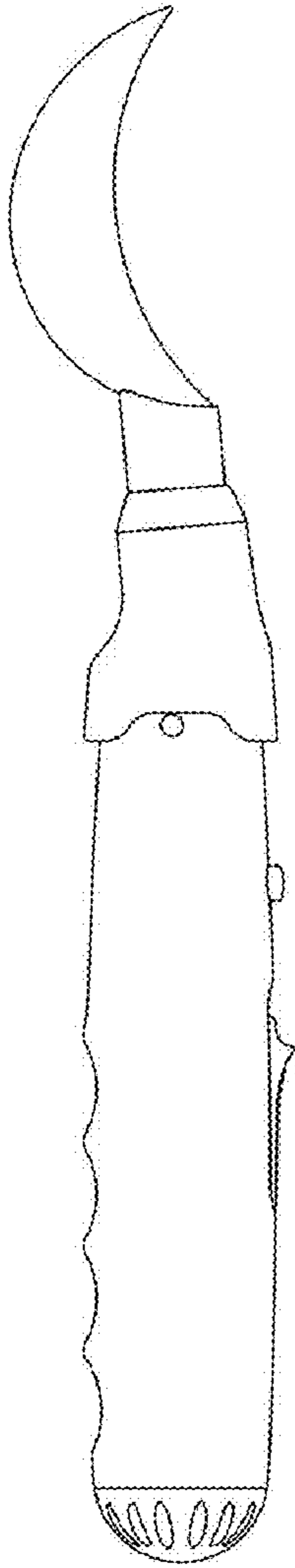


FIG. 3

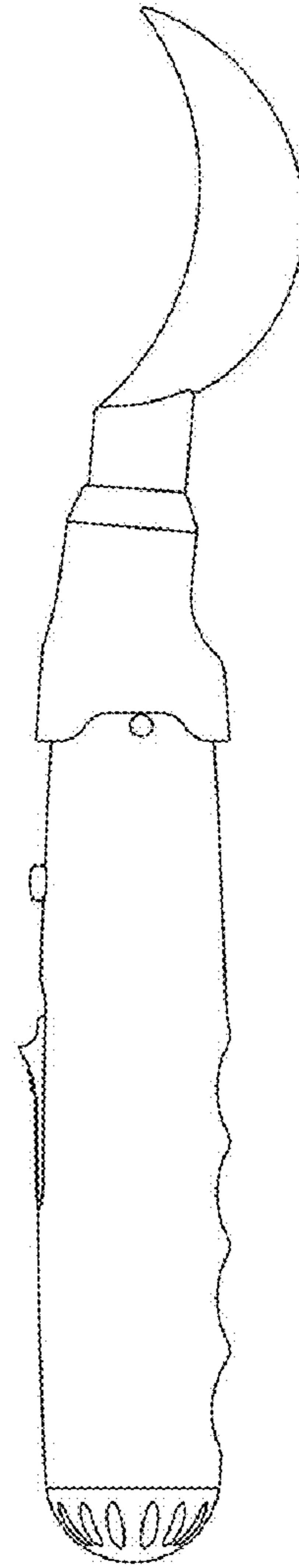


FIG. 4

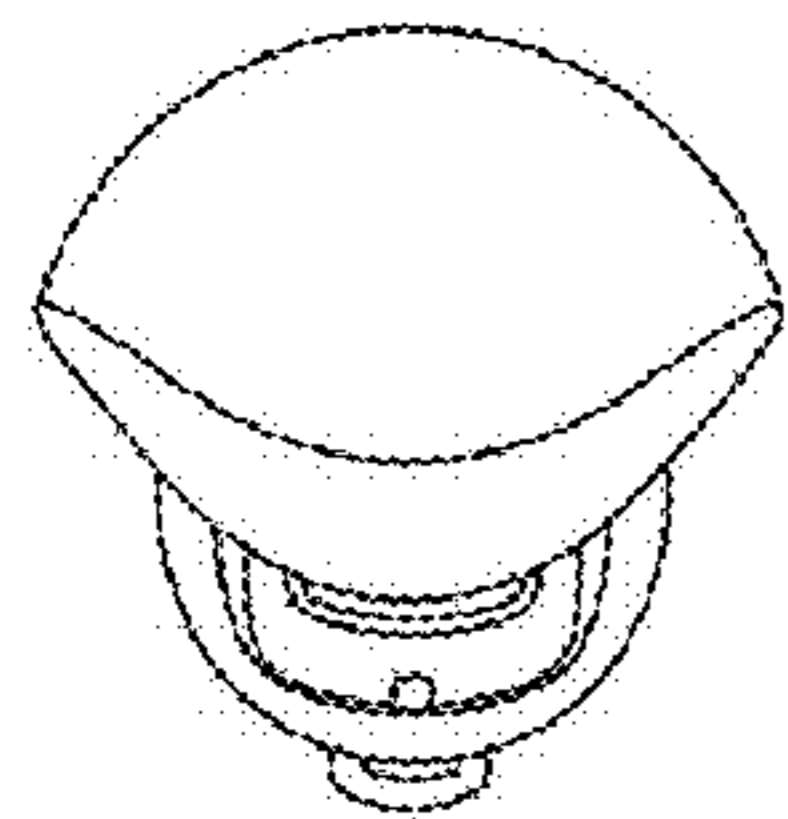


FIG. 5

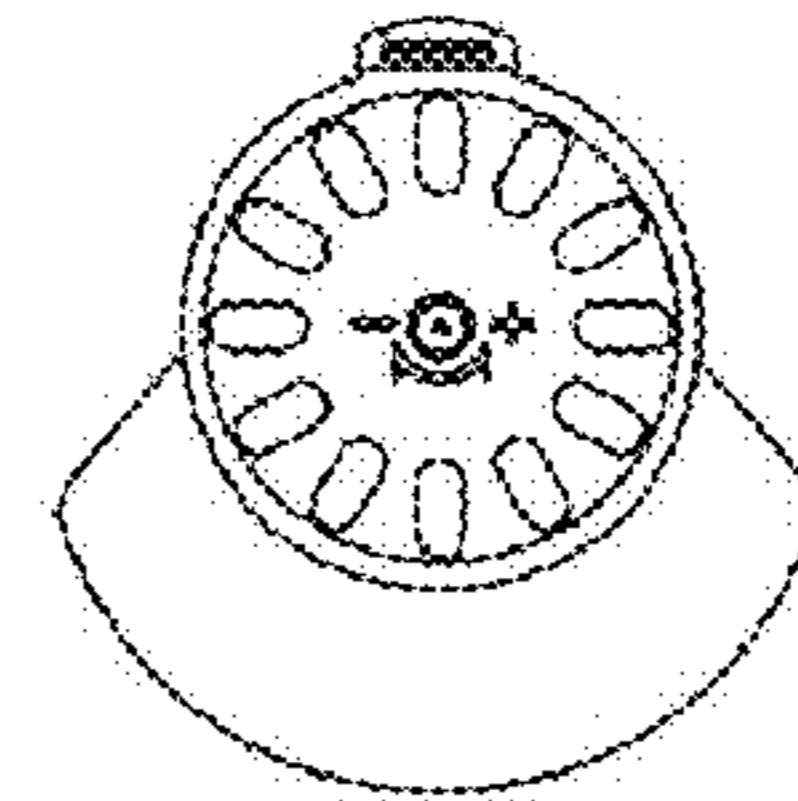


FIG. 6