

US00D571500S

(12) **United States Design Patent**  
**Lin**

(10) **Patent No.:** **US D571,500 S**

(45) **Date of Patent:** **\*\* Jun. 17, 2008**

(54) **TRUCK DUAL HEADLIGHT BEZEL WITH INTEGRATED LED STRIP LIGHT**

(76) Inventor: **Jack Po-Shou Lin**, 1751 E. Del Amo Blvd., Carson, CA (US) 90746

(\*\*) Term: **14 Years**

(21) Appl. No.: **29/295,932**

(22) Filed: **Oct. 10, 2007**

(51) **LOC (8) Cl.** ..... **26-99**

(52) **U.S. Cl.** ..... **D26/139**

(58) **Field of Classification Search** ..... D26/28-36, D26/139; 362/61, 80, 81, 82, 83, 325, 376  
See application file for complete search history.

(56) **References Cited**

**U.S. PATENT DOCUMENTS**

D288,008 S *	1/1987	McMahon	.....	D26/139
D440,694 S *	4/2001	Jeffries	.....	D26/139
D509,923 S *	9/2005	Arthur et al.	.....	D26/139

\* cited by examiner

*Primary Examiner*—Marcus A. Jackson

(74) *Attorney, Agent, or Firm*—Chan Law Group LLP

(57) **CLAIM**

The ornamental design for a truck dual headlight bezel with integrated LED strip light, as shown and described.

**DESCRIPTION**

FIG. 1 is a perspective view of the truck dual headlight bezel with integrated LED strip light according to the present design.

FIG. 2 is a front plan view thereof.

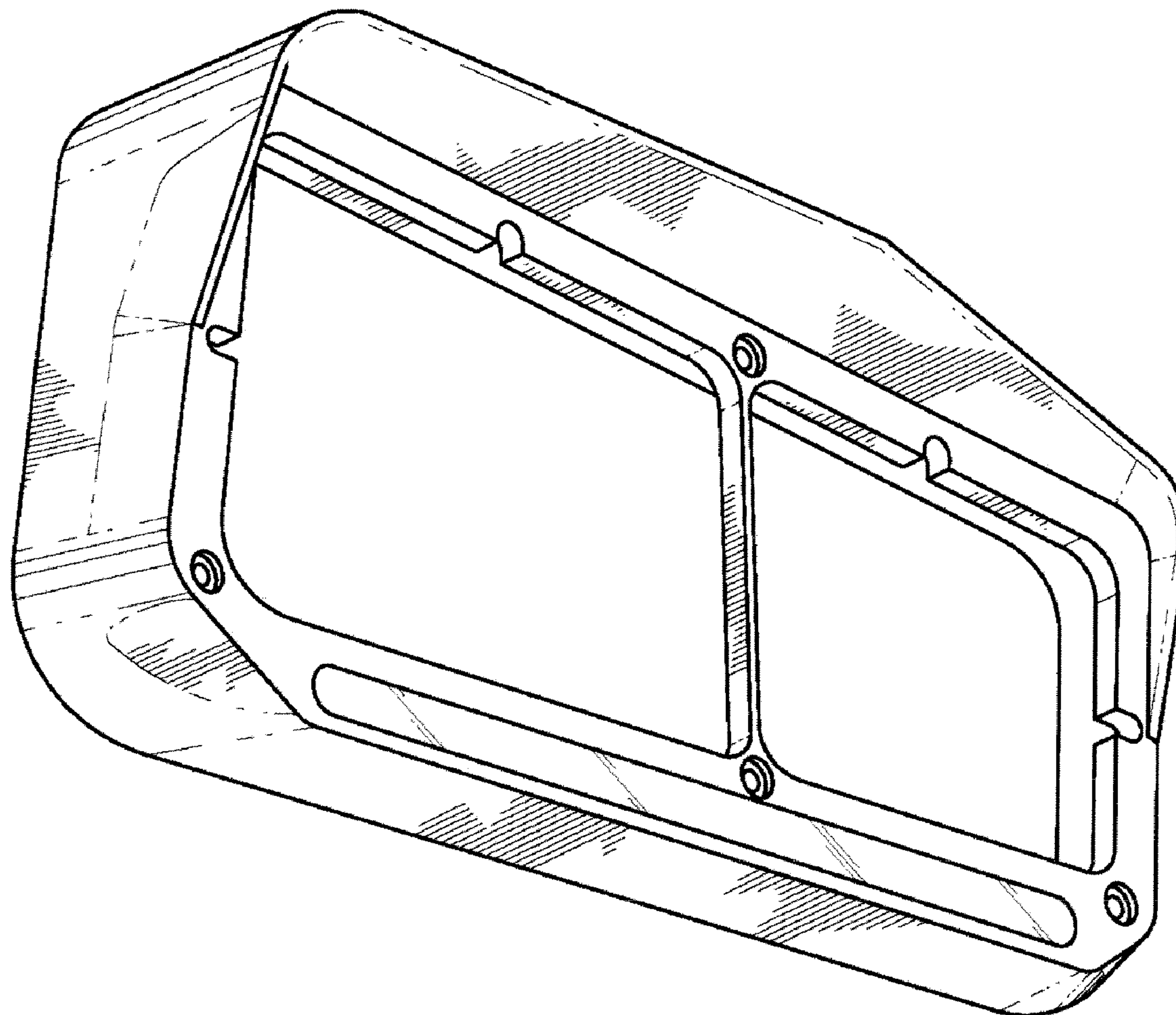
FIG. 3 is a bottom elevation view thereof.

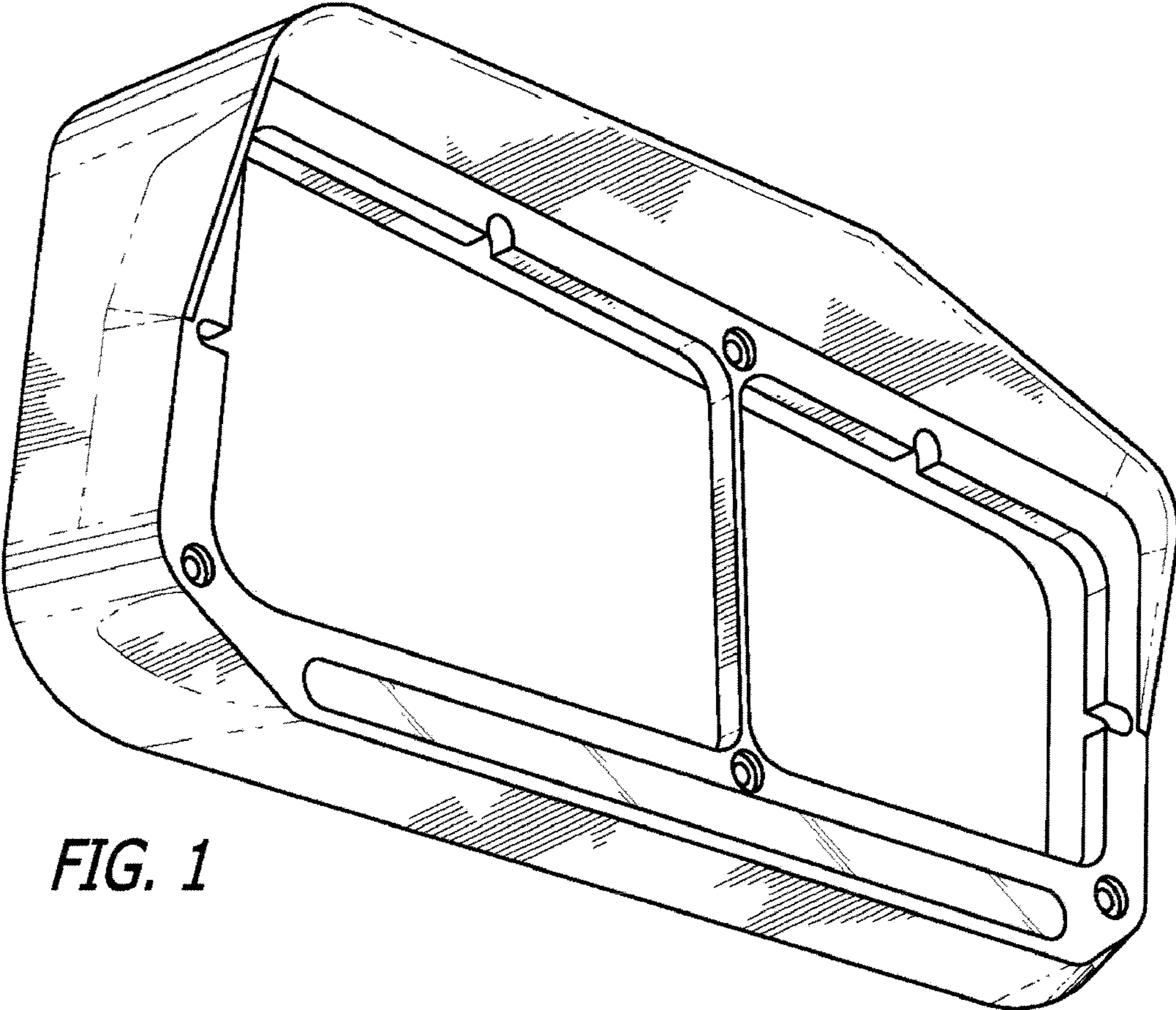
FIG. 4 is a top elevation view thereof.

FIG. 5 is a left side elevation view thereof; and,

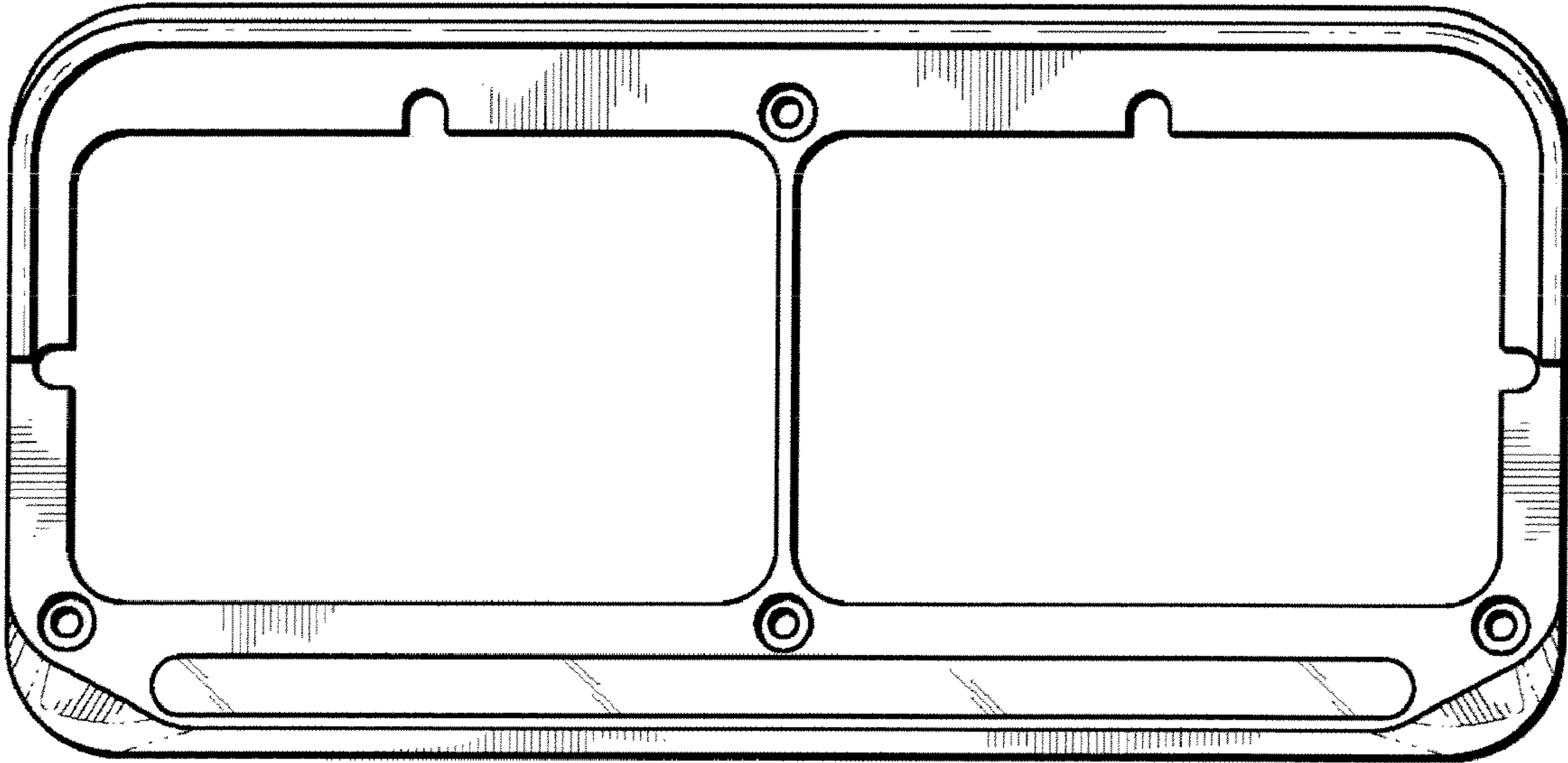
FIG. 6 is a right side elevation view thereof.

**1 Claim, 2 Drawing Sheets**

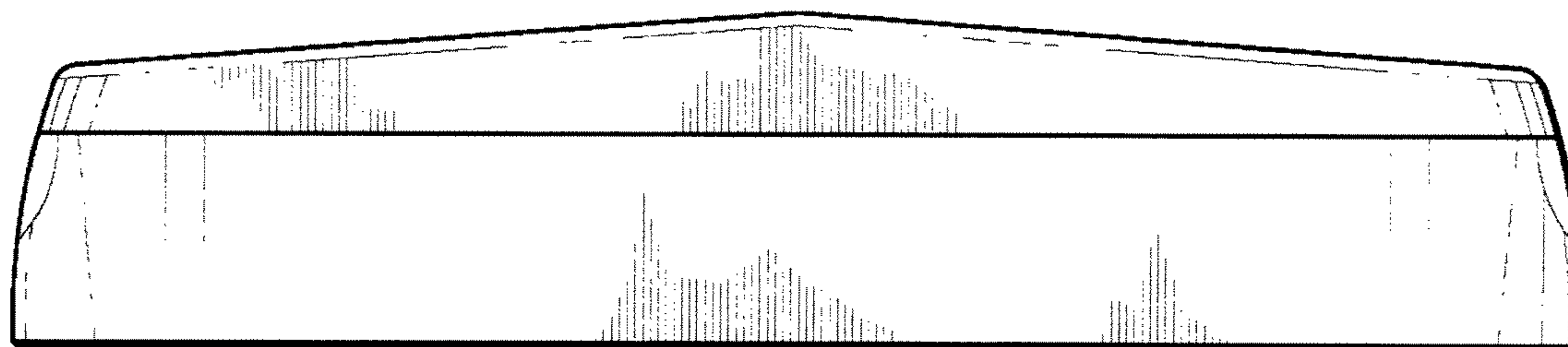




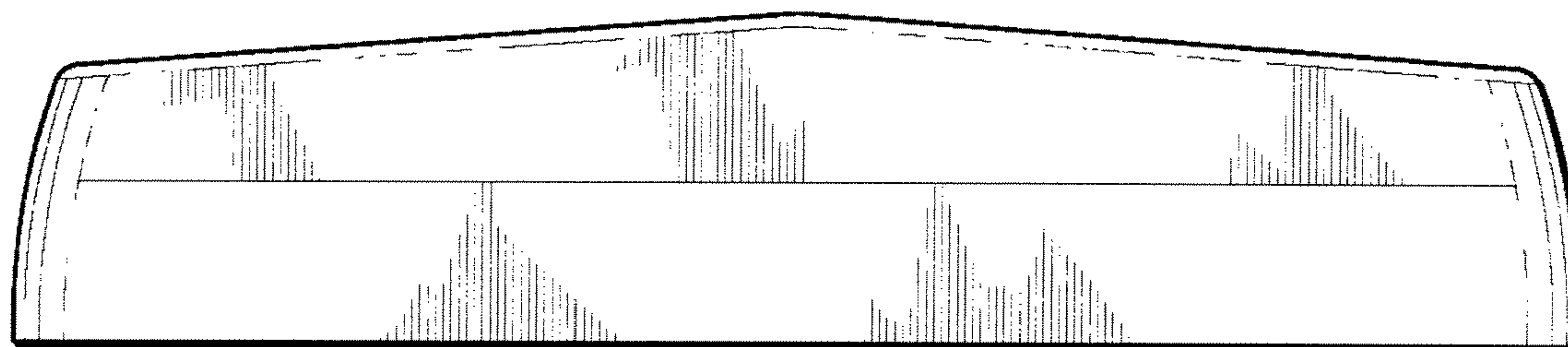
*FIG. 1*



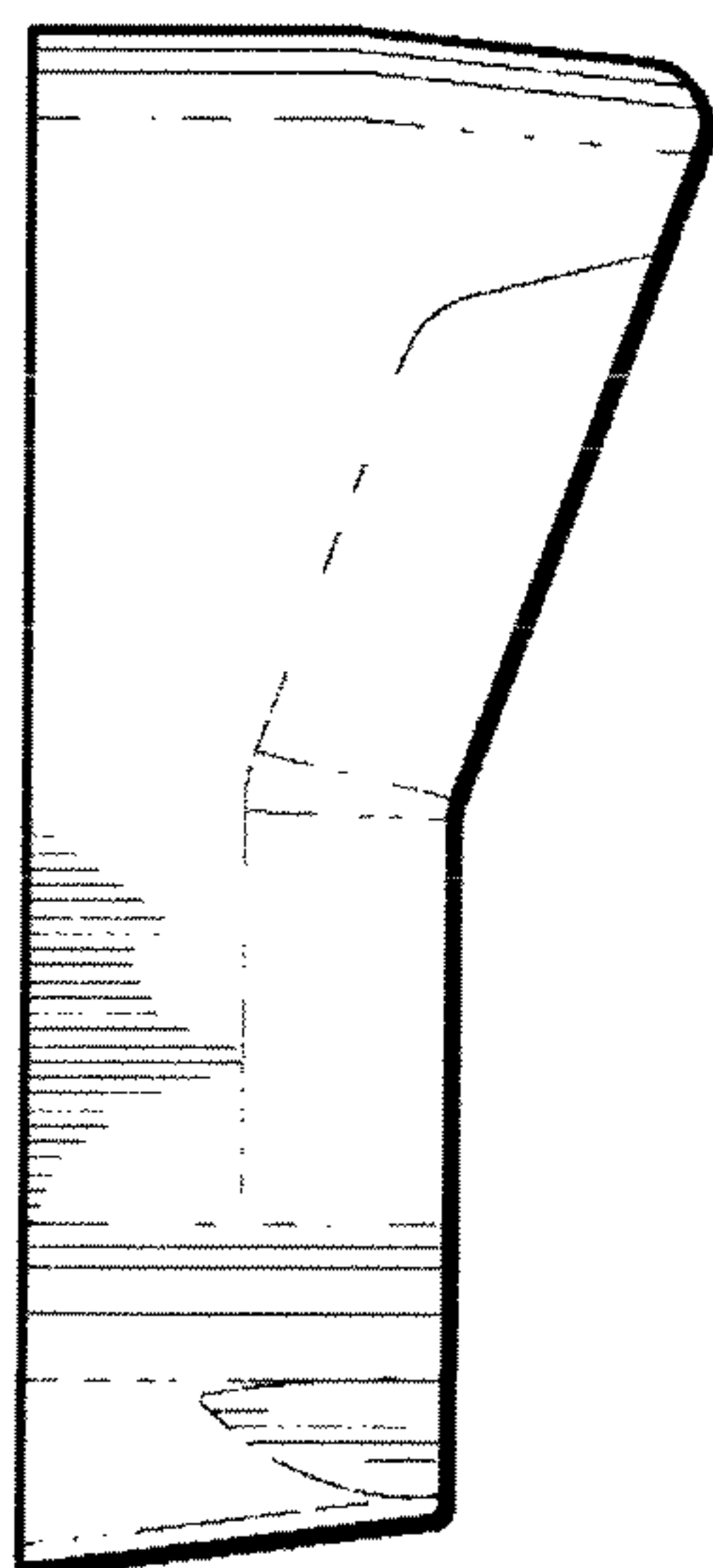
*FIG. 2*



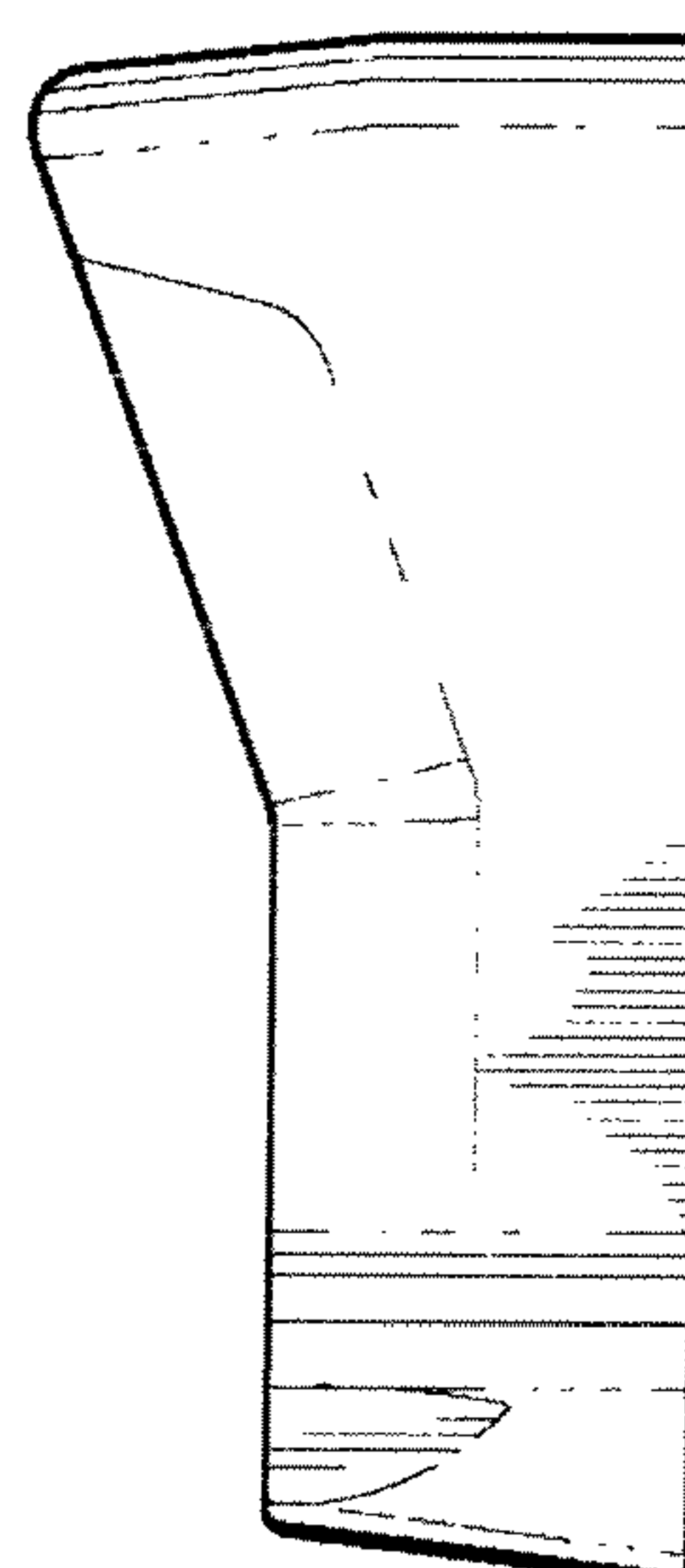
*FIG. 3*



*FIG. 4*



*FIG. 5*



*FIG. 6*