



US00D571498S

(12) **United States Design Patent**
Dyson

(10) **Patent No.:** **US D571,498 S**
(45) **Date of Patent:** **** Jun. 17, 2008**

(54) **LIGHT**

(76) Inventor: **Jacob Dyson**, 23 Myddleton Square,
London, GB (GB) EC1R 1YE

(**) Term: **14 Years**

(21) Appl. No.: **29/277,171**

(22) Filed: **Feb. 16, 2007**

(30) **Foreign Application Priority Data**

Aug. 21, 2006 (EM) 000580758

(51) **LOC (8) Cl.** **26-03**

(52) **U.S. Cl.** **D26/93**

(58) **Field of Classification Search** D26/93-112,
D26/61, 67, 68; 362/410-414, 806, 153,
362/153.1, 154, 277, 278, 280, 281, 283,
362/285, 319, 431

See application file for complete search history.

(56) **References Cited**

U.S. PATENT DOCUMENTS

D234,805 S * 4/1975 Stentz D26/67
D244,050 S * 4/1977 Lauth D26/106
5,105,347 A 4/1992 Ruud et al.

5,951,139 A 9/1999 Smith et al.
6,464,373 B1 10/2002 Petrick
2006/0092638 A1 5/2006 Harwood

FOREIGN PATENT DOCUMENTS

DE 20320124 U1 6/2005
WO WO 2006/087126 A1 8/2006

* cited by examiner

Primary Examiner—Cathron Brooks
Assistant Examiner—Linda Brooks
(74) *Attorney, Agent, or Firm*—Harter Secrest & Emery
LLP; Stephen B. Salai, Esq.; Jodi A. Reynolds, Esq.

(57) **CLAIM**

I claim the ornamental design for a light, as shown and described.

DESCRIPTION

FIG. 1 is a front perspective view from above and one side of a light showing my new design;

FIG. 2 is a front elevation view thereof;

FIG. 3 is a top plan view thereof; and,

FIG. 4 is a bottom plan view thereof.

1 Claim, 1 Drawing Sheet

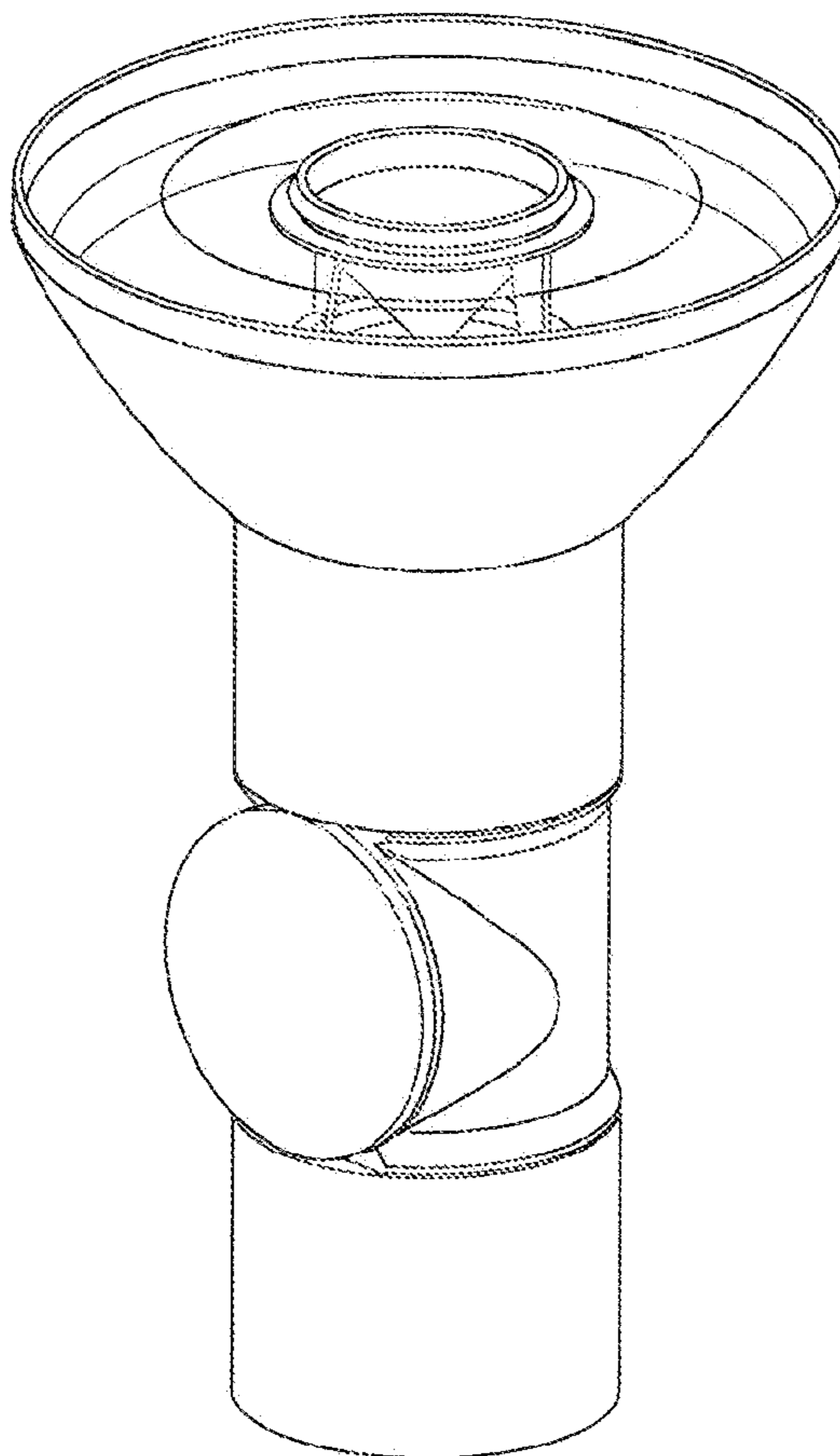


FIG 1

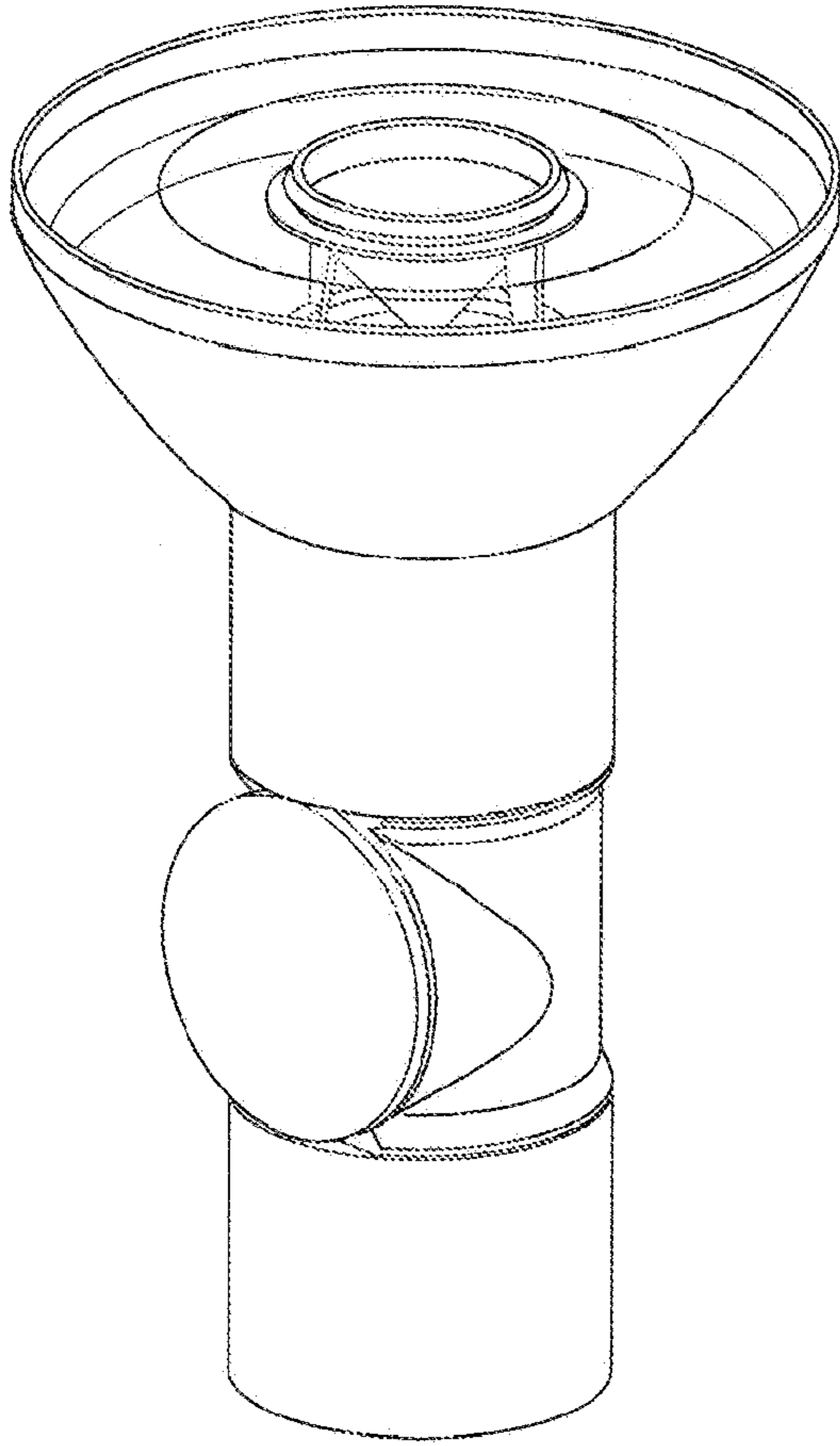


FIG 2

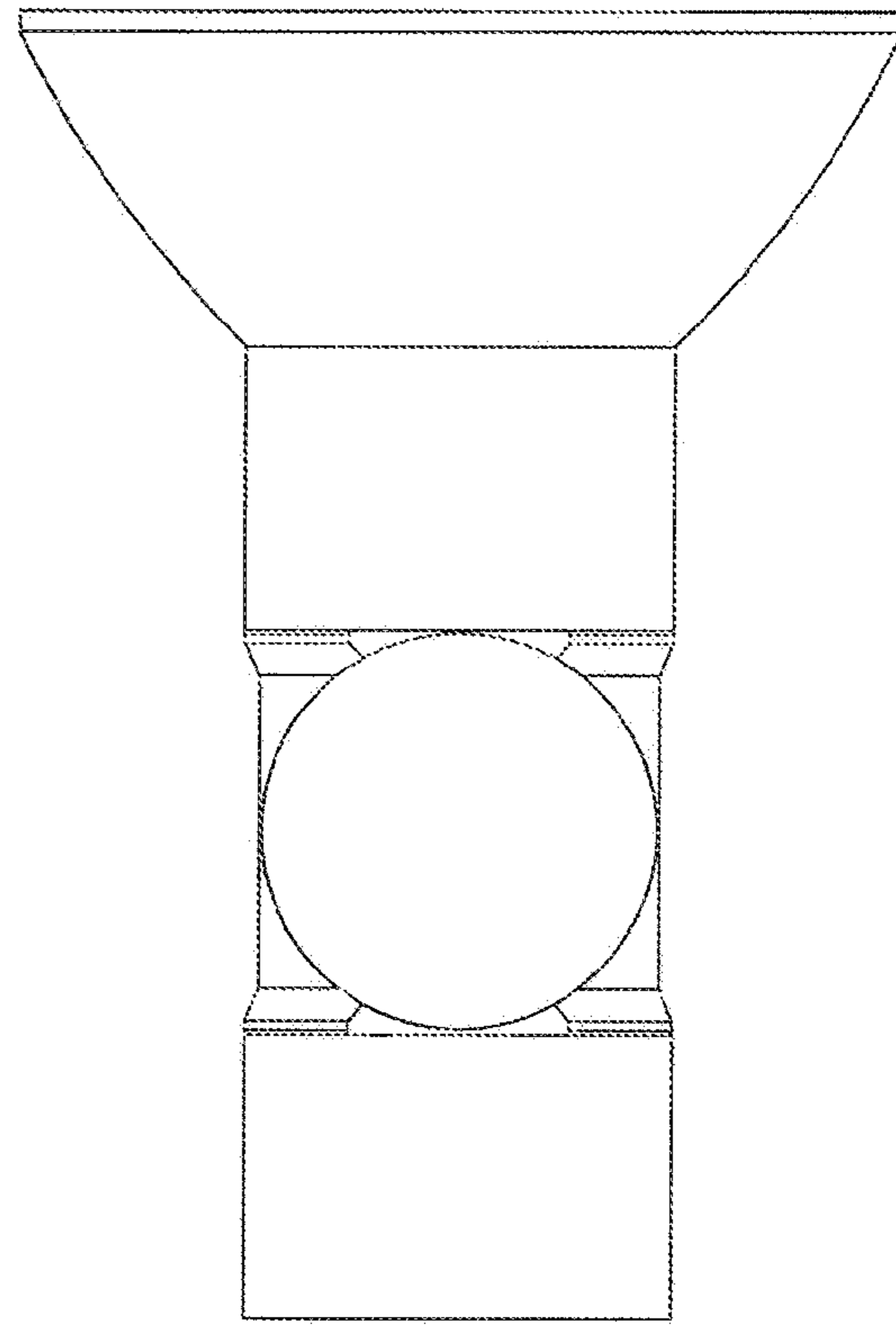


FIG 3

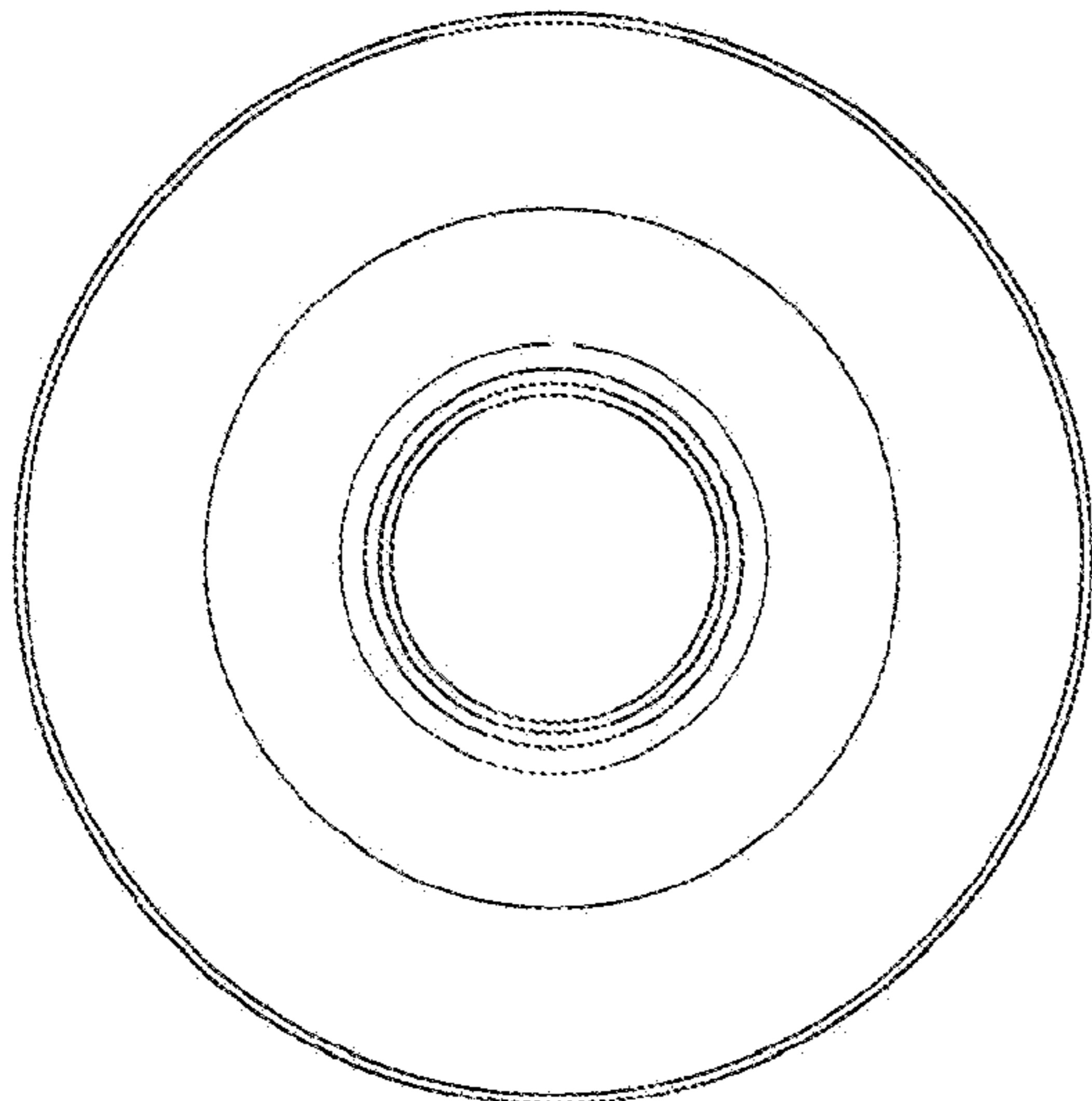


FIG 4

