

US00D571494S

(12) **United States Design Patent**
Friedman et al.

(10) **Patent No.:** **US D571,494 S**
(45) **Date of Patent:** **** Jun. 17, 2008**

(54) **AREA LIGHT**

(75) Inventors: **Frank A. Friedman**, Mill Valley, CA (US); **Doyle Scott Butler**, Dunwoody, GA (US)

(73) Assignee: **Acuity Brands, Inc.**, Atlanta, GA (US)

(**) Term: **14 Years**

(21) Appl. No.: **29/281,271**

(22) Filed: **Jun. 20, 2007**

(51) **LOC (8) Cl.** **26-05**

(52) **U.S. Cl.** **D26/67**

(58) **Field of Classification Search** D26/67-71;
362/145, 431

See application file for complete search history.

(56) **References Cited**

U.S. PATENT DOCUMENTS

D42,054 S	12/1911	Lovell	
D69,107 S	12/1925	Blackwell	
D77,406 S	1/1929	Greene	
1,721,540 A	7/1929	Zuleger	
D106,836 S	11/1937	Stewart	
2,521,448 A	9/1950	Corcoran	
D170,188 S	8/1953	Flood, Jr.	
2,963,574 A	12/1960	Pfaff, Jr.	
D191,128 S *	8/1961	Curtin et al.	D26/67
D192,381 S	3/1962	Curtin et al.	
D199,266 S *	9/1964	Izzi	D26/67
D200,001 S *	1/1965	Simon	D26/67
3,218,446 A	11/1965	Langer	
3,227,868 A	1/1966	Morgan	
D205,081 S	6/1966	Cousins et al.	
3,366,785 A	1/1968	Huber, Jr.	
3,463,917 A	8/1969	Stockwell et al.	
3,562,509 A	2/1971	Kahl, Jr.	
3,562,510 A	2/1971	Baldwin	
3,725,696 A	4/1973	Morton	
3,757,110 A	9/1973	Soboleski	
D230,071 S *	1/1974	Anderson, Jr.	D26/67
D237,533 S	11/1975	Gandini et al.	
D238,961 S *	2/1976	Friedberg	D26/67

D243,473 S	2/1977	Freeman
4,141,061 A	2/1979	Ford et al.
4,219,869 A	8/1980	Bowman et al.
4,541,038 A	9/1985	Van Noord
4,547,839 A	10/1985	Ripley et al.
4,639,843 A	1/1987	Compton
D292,525 S	10/1987	Van Deelen
D297,173 S	8/1988	Andersen

(Continued)

FOREIGN PATENT DOCUMENTS

GB 2353351 2/2001

(Continued)

Primary Examiner—Clare E Heflin

(74) *Attorney, Agent, or Firm*—Kilpatrick Stockton, LLP

(57) **CLAIM**

The ornamental design for an area light, as shown and described.

DESCRIPTION

FIG. 1 is a top perspective view of an area light showing a first embodiment of the new design;

FIG. 2 is a top plan view thereof;

FIG. 3 is a front view thereof, with the rear view, right side view, and left side view being mirror images of the front view;

FIG. 4 is a top perspective view of an area light showing a second embodiment of the new design;

FIG. 5 is a bottom perspective view thereof;

FIG. 6 is a top plan view thereof;

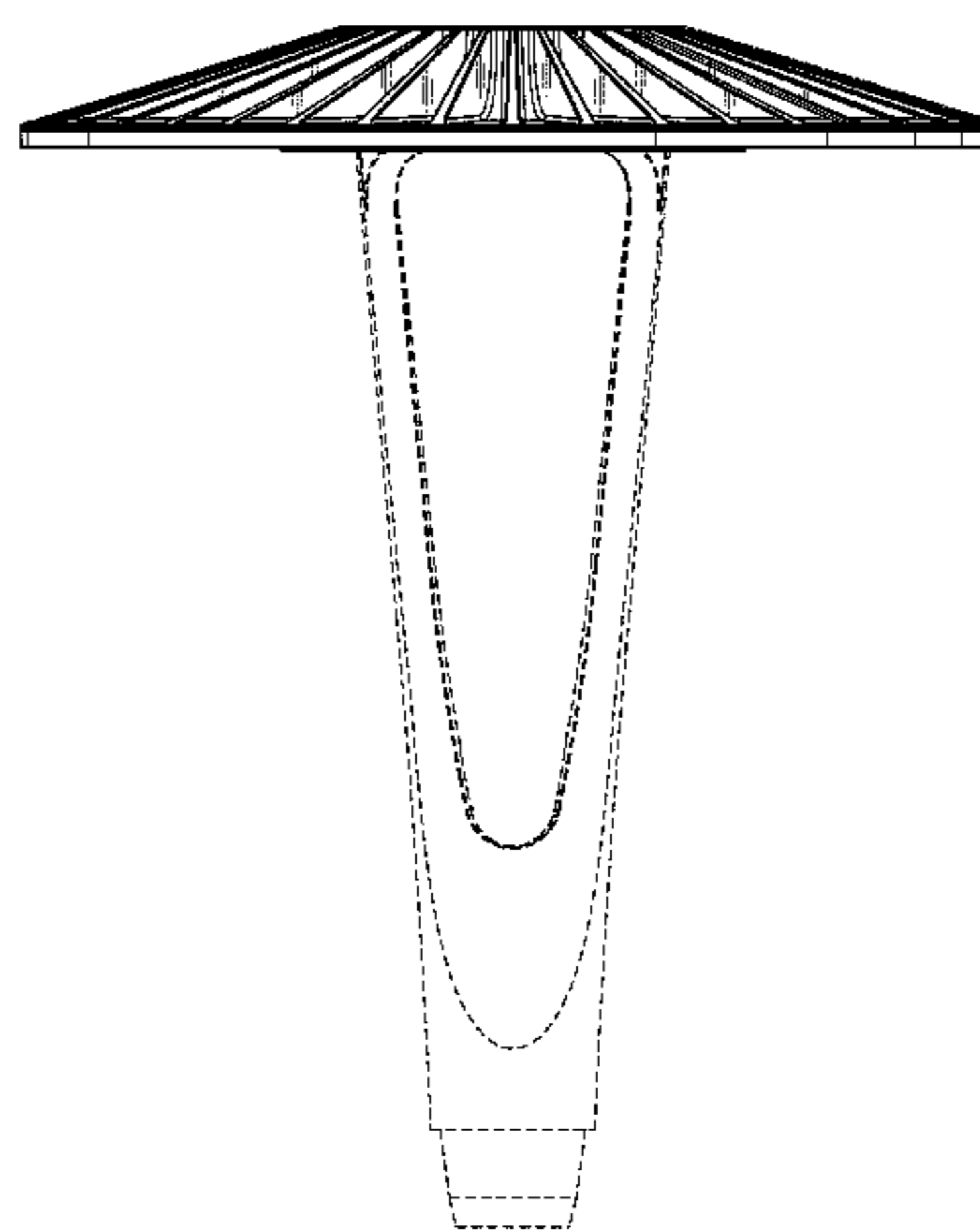
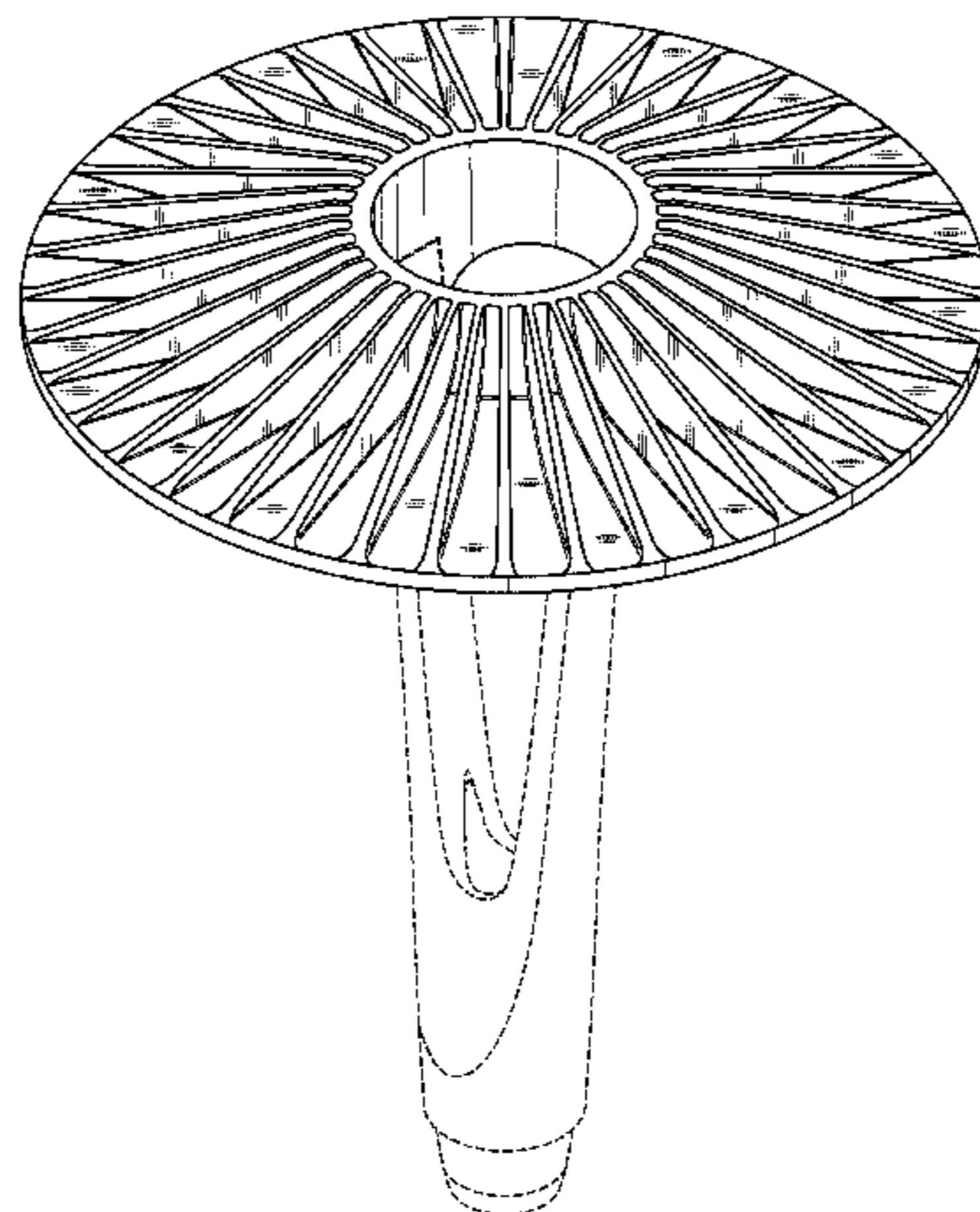
FIG. 7 is a bottom plan view thereof;

FIG. 8 is a front view thereof, with the back view being a mirror image of the front view; and,

FIG. 9 is a right side view thereof, with the left side view being a mirror image of the right side view.

Portions or features of the area light shown in broken lines in the drawings form no part of the claimed design.

1 Claim, 9 Drawing Sheets



US D571,494 S

Page 2

U.S. PATENT DOCUMENTS

4,763,233 A 8/1988 Poyer
 4,775,922 A 10/1988 Engel
 4,855,884 A 8/1989 Richardson
 D304,694 S 11/1989 Goss
 D309,795 S 8/1990 Sahlen
 4,998,193 A 3/1991 Chuing-Hui
 D319,319 S 8/1991 Von Kluck
 D320,668 S 10/1991 Von Kluck
 D326,734 S 6/1992 Rizzi et al.
 5,122,942 A 6/1992 Lee
 5,134,550 A 7/1992 Young
 D332,840 S 1/1993 Cohon
 D337,846 S 7/1993 Fiorato
 5,278,738 A 1/1994 Illes
 D345,436 S 3/1994 Evans
 D347,487 S 5/1994 Johnson et al.
 D349,173 S 7/1994 Fellingner
 5,379,199 A 1/1995 Hirshenhorn et al.
 5,402,328 A 3/1995 Pardo
 D361,639 S 8/1995 Christopoulos
 D368,547 S 4/1996 Chen
 D370,071 S 5/1996 Sonneman
 D371,857 S 7/1996 Gismondi
 D373,215 S 8/1996 Lewis
 D374,304 S 10/1996 Sung
 D380,853 S 7/1997 Johnson
 D385,649 S 10/1997 Yeh
 D388,726 S 1/1998 Wu
 D394,326 S 5/1998 Littman et al.
 D400,293 S * 10/1998 Edwards D26/142
 5,826,975 A 10/1998 Hsieh et al.
 D407,842 S * 4/1999 Landefeld D26/68
 5,938,316 A 8/1999 Yan
 D417,520 S * 12/1999 Landefeld D26/68
 D417,743 S 12/1999 Littman et al.
 D420,165 S 2/2000 Chiu
 6,039,463 A 3/2000 Lin
 6,048,081 A 4/2000 Richardson
 D434,173 S 11/2000 Rochon
 D434,174 S 11/2000 Hsu
 D434,872 S 12/2000 Chen
 D436,215 S 1/2001 Yeh
 6,250,781 B1 6/2001 Straus et al.
 D465,868 S 11/2002 Gaskins et al.
 D468,051 S * 12/2002 Gaskins et al. D26/123
 D479,356 S 9/2003 Baarman et al.

6,686,847 B1 2/2004 Mittler
 6,752,509 B1 6/2004 Lin et al.
 D504,536 S * 4/2005 Emory et al. D26/67
 D505,222 S 5/2005 Logan
 6,913,369 B2 7/2005 Chadwick
 D516,229 S 2/2006 Tang
 6,994,461 B2 2/2006 Lodhie
 7,021,805 B2 4/2006 Amano et al.
 7,025,482 B2 4/2006 Yamashita et al.
 7,029,143 B2 4/2006 Kiechle et al.
 7,036,960 B1 5/2006 Gretz
 D525,374 S 7/2006 Maxik et al.
 D526,082 S 8/2006 McCarthy, III
 7,083,315 B2 8/2006 Hansler et al.
 7,090,382 B2 8/2006 Haddad et al.
 7,097,330 B1 8/2006 Straus et al.
 7,111,954 B1 9/2006 Lai
 7,111,961 B2 9/2006 Trenchard et al.
 D530,836 S 10/2006 Johnson
 7,121,691 B2 10/2006 Coushaine et al.
 7,134,762 B2 11/2006 Ma
 D534,680 S 1/2007 Miranda
 D535,039 S 1/2007 Sorokin
 7,178,952 B2 2/2007 Bucher et al.
 D538,951 S 3/2007 Maxik et al.
 D538,952 S 3/2007 Maxik et al.
 7,188,986 B1 3/2007 Harwood
 2003/0072156 A1 4/2003 Pohlert
 2004/0080938 A1 4/2004 Holman et al.
 2004/0156213 A1 8/2004 Lodhie
 2005/0243576 A1 11/2005 Park et al.
 2006/0002110 A1 1/2006 Dowling et al.
 2006/0039159 A1 2/2006 Grote, III et al.
 2006/0070642 A1 4/2006 Lo
 2006/0082994 A1 4/2006 Wang et al.
 2006/0092638 A1 5/2006 Harwood
 2006/0114682 A1 6/2006 Schuster
 2006/0209548 A1 9/2006 Cowan
 2006/0256568 A1 11/2006 Ellis
 2007/0041190 A1 2/2007 Chou
 2007/0053192 A1 3/2007 Copeland
 2007/0076416 A1 4/2007 Leonhardt et al.

FOREIGN PATENT DOCUMENTS

WO WO 01/84042 A1 11/2001

* cited by examiner

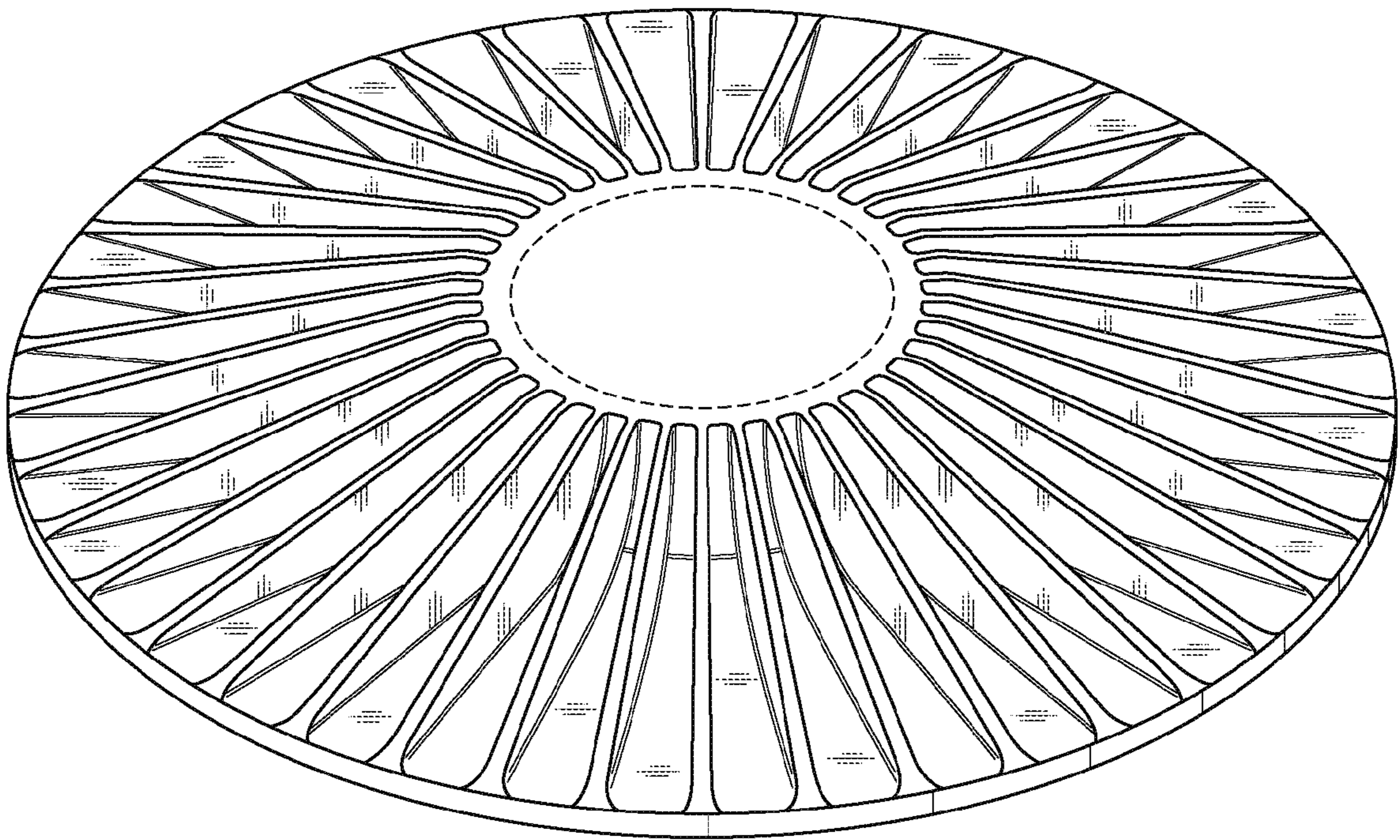


FIG. 1

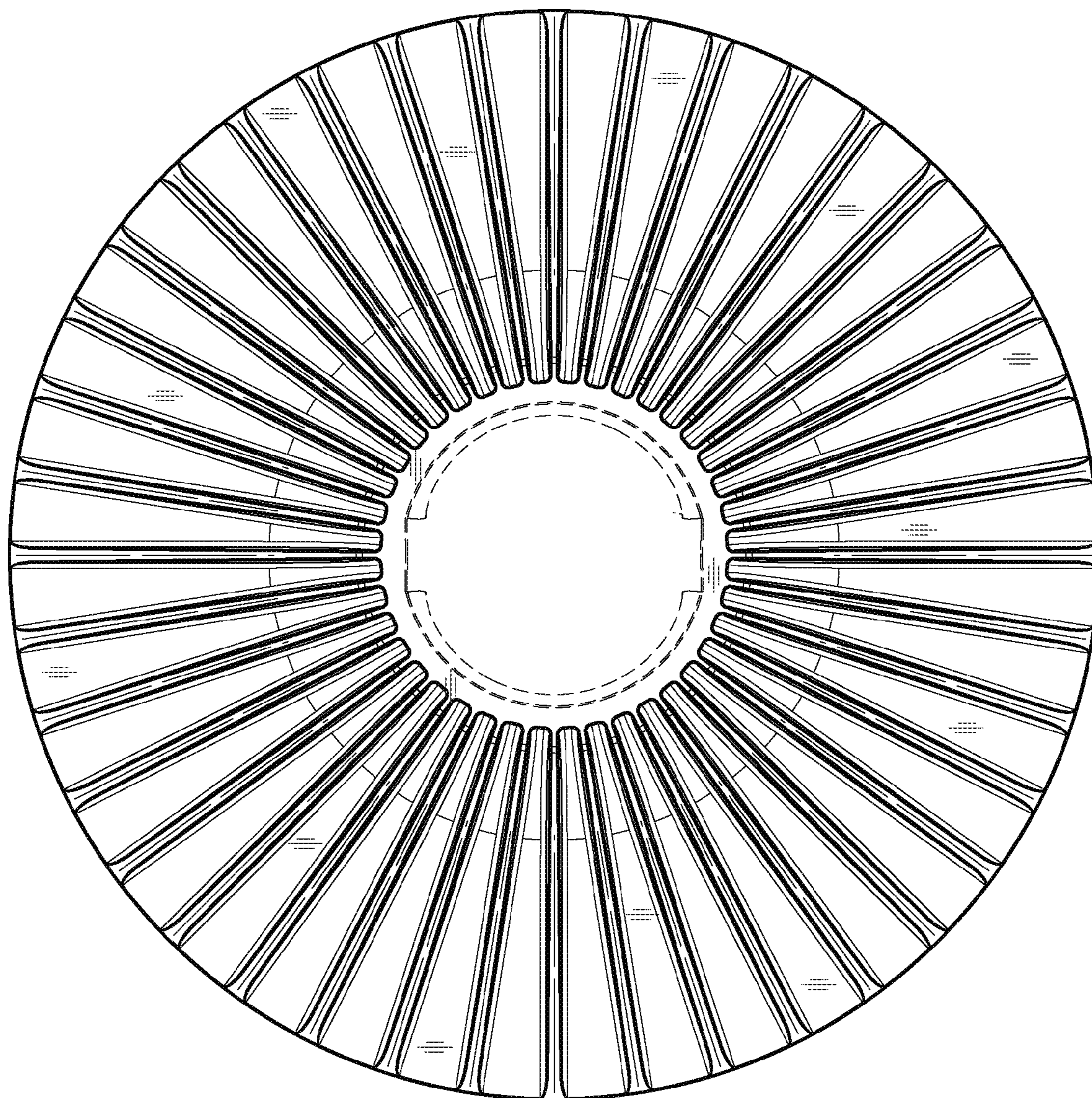


FIG. 2

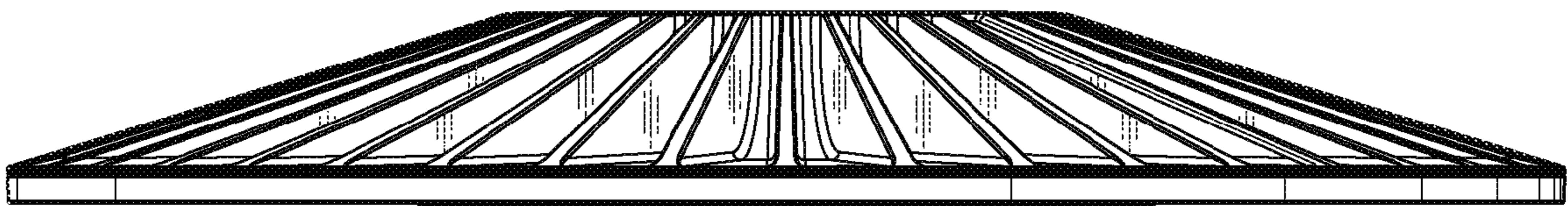


FIG. 3

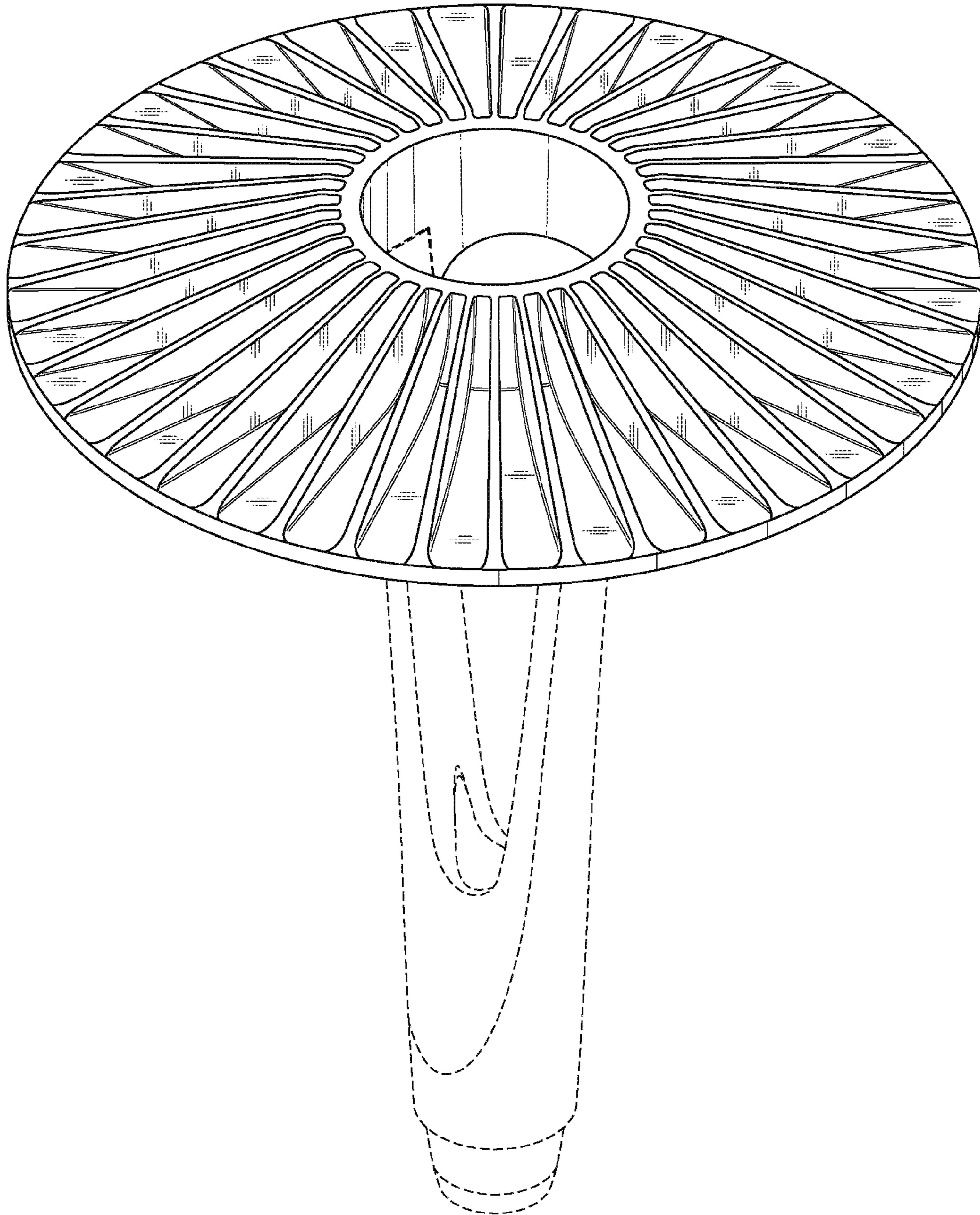


FIG. 4

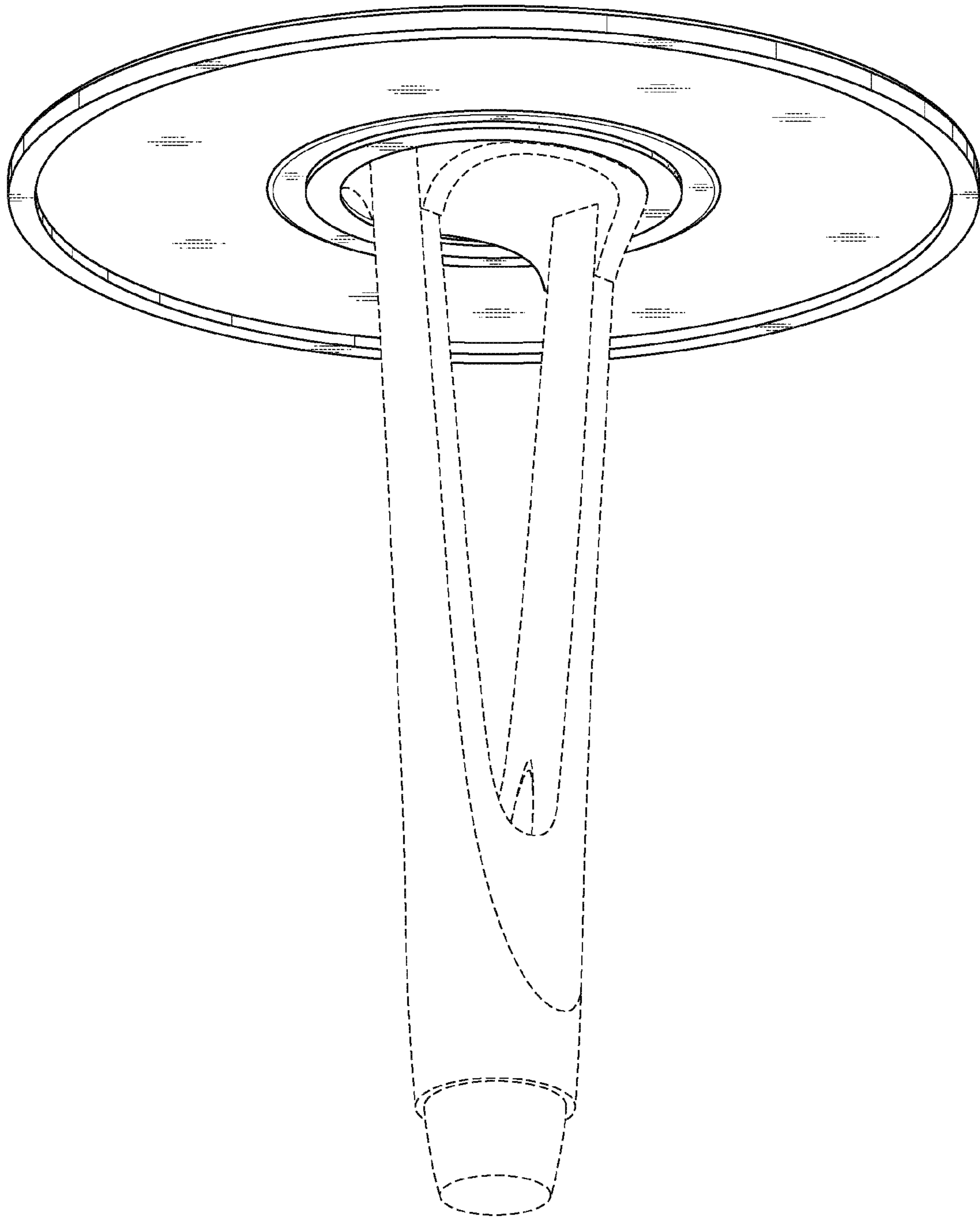


FIG. 5

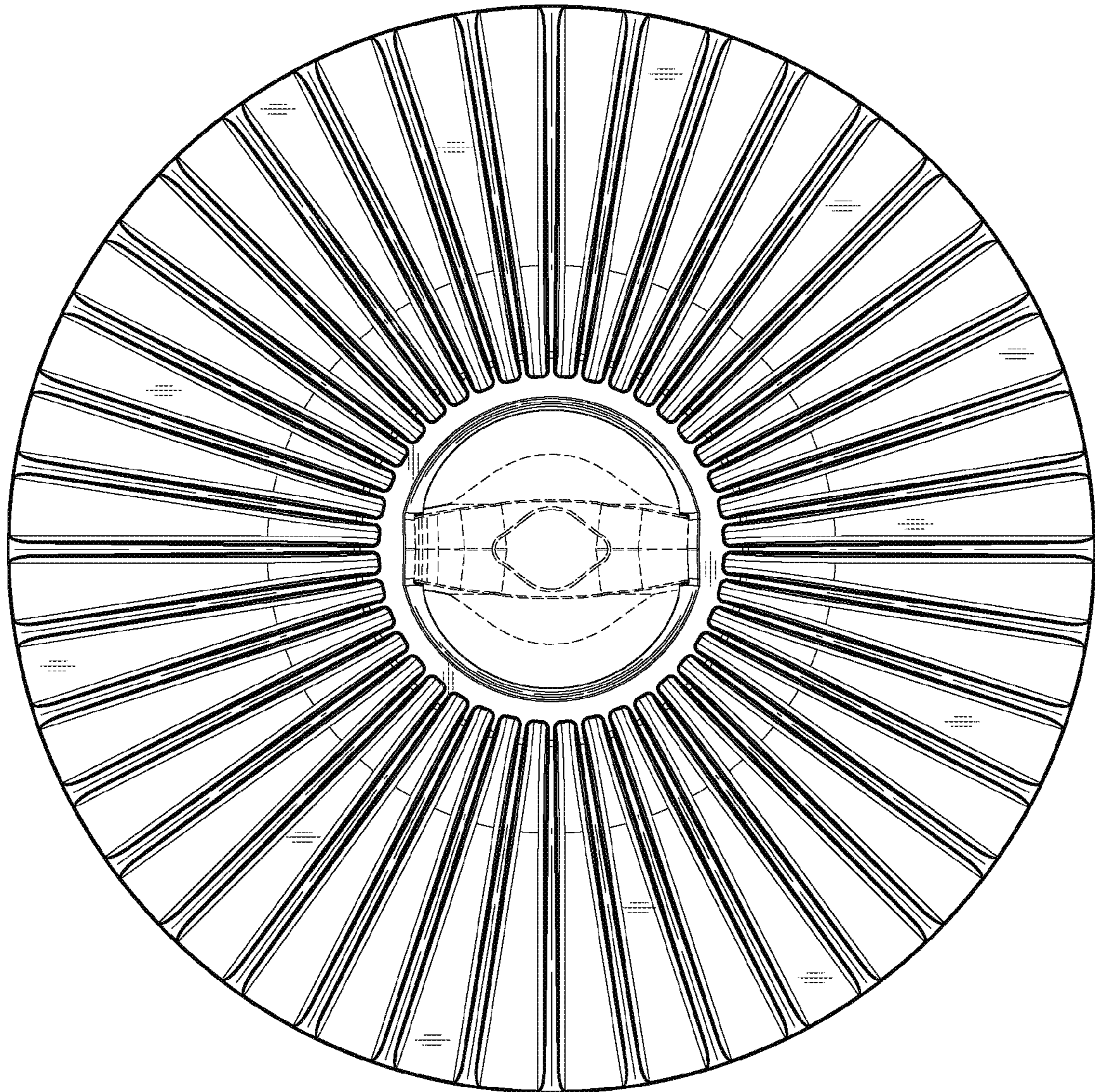


FIG. 6

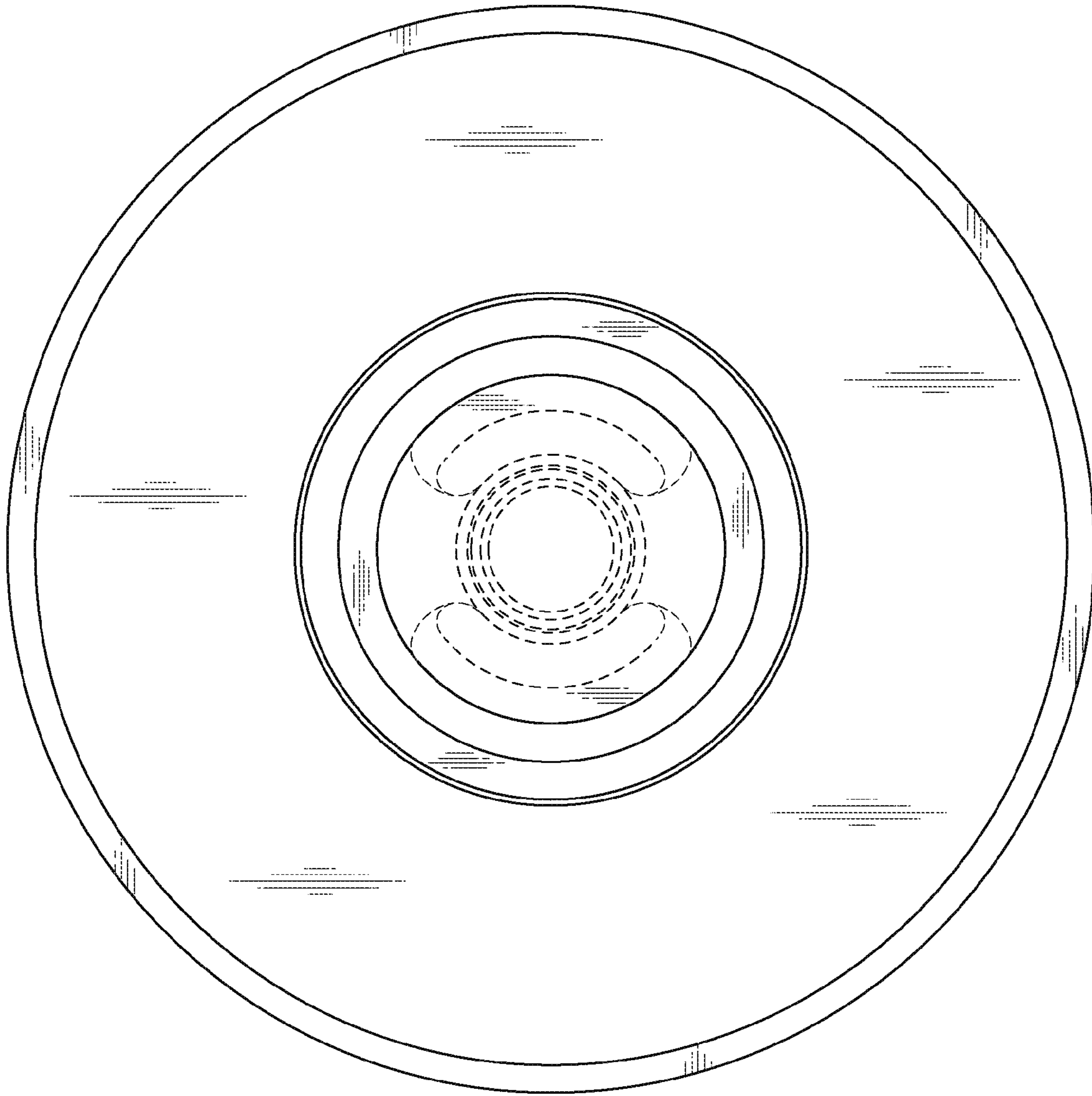


FIG. 7

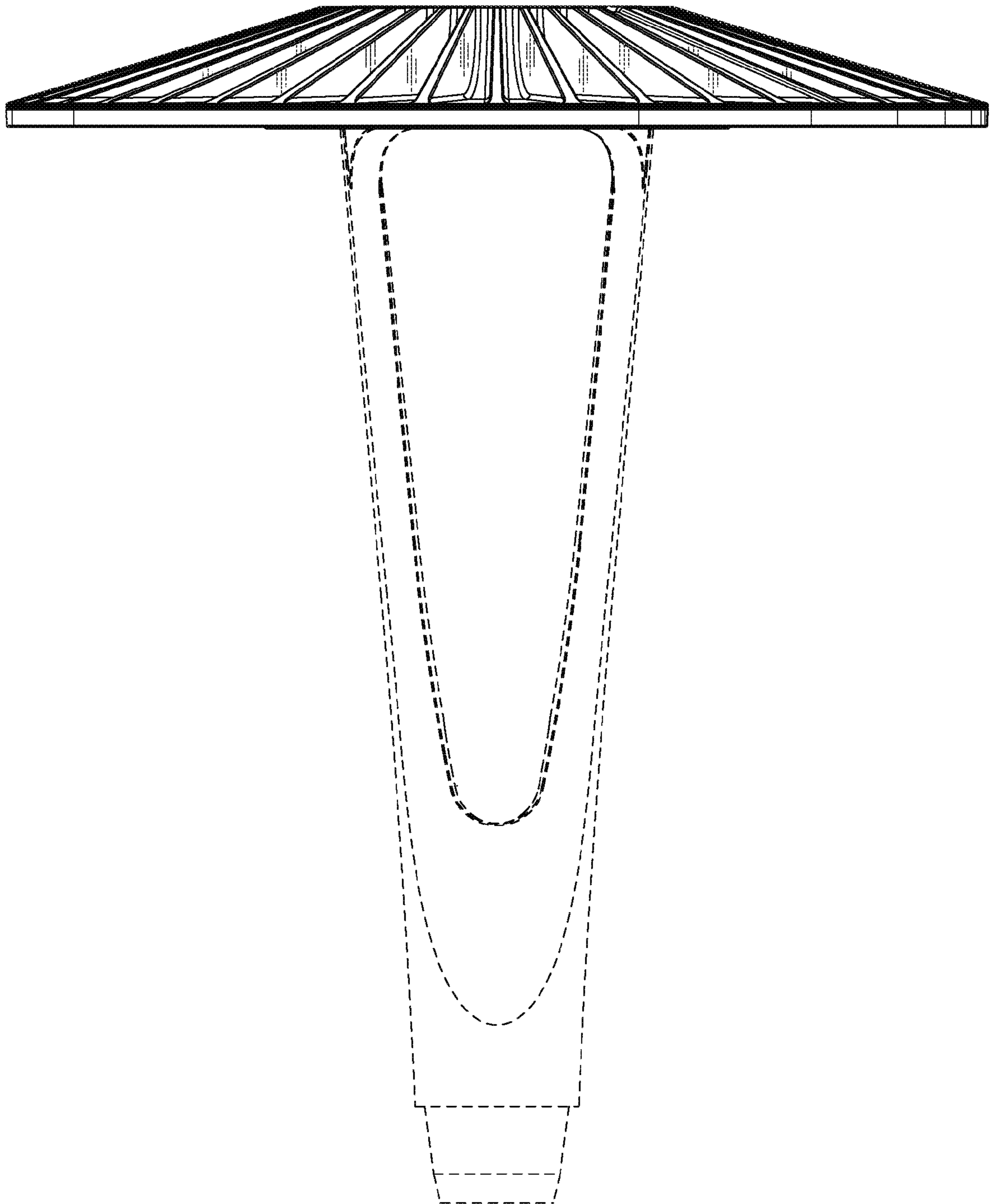


FIG. 8

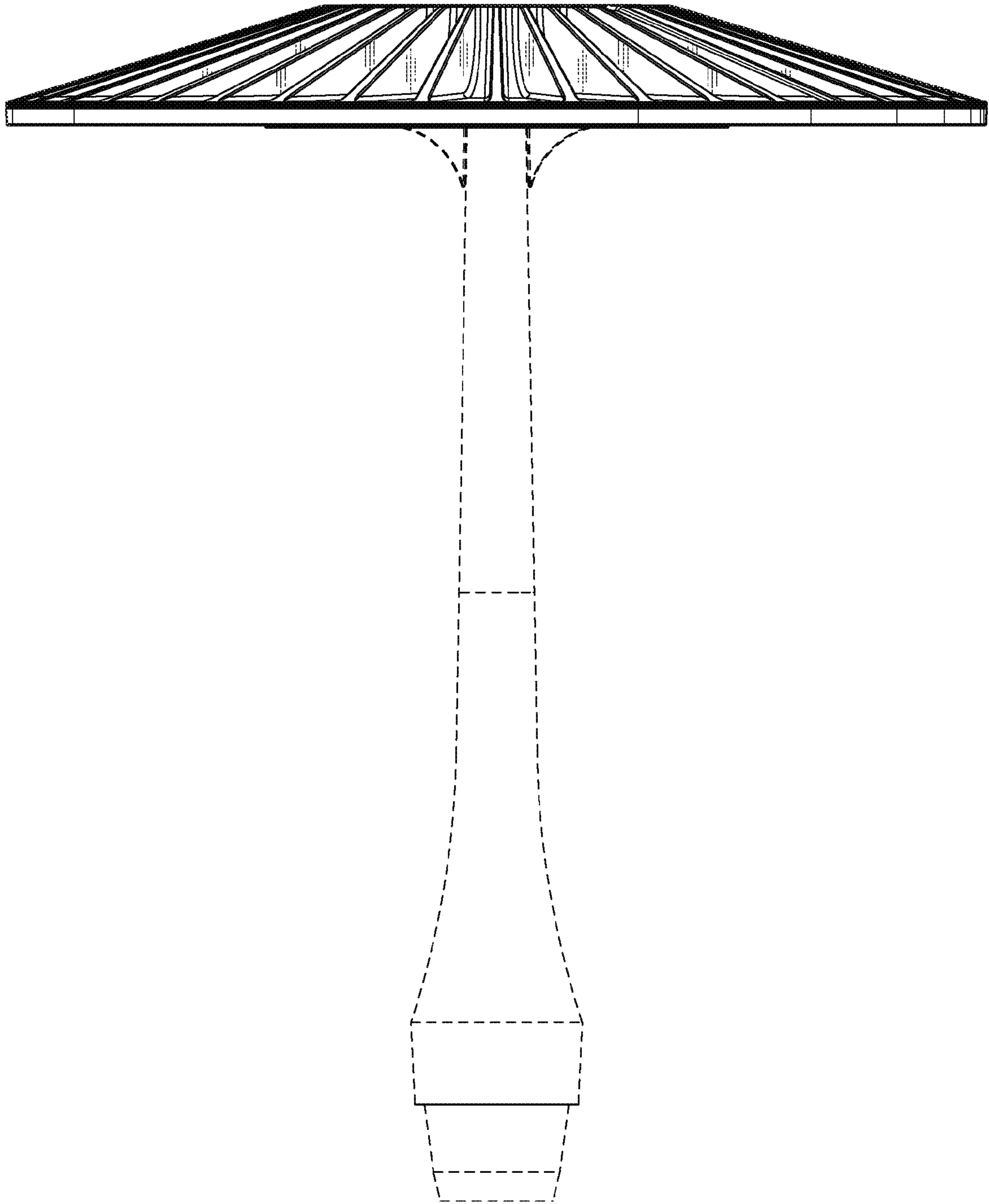


FIG. 9