



US00D571493S

(12) **United States Design Patent**  
**Li**

(10) **Patent No.:** **US D571,493 S**

(45) **Date of Patent:** **\*\* Jun. 17, 2008**

(54) **CAMPING LANTERN**

(76) Inventor: **Shen Jian Li**, Industrial Park, Simen,  
Yuyao City, Zhejiang Province (CN)

(\*\*) Term: **14 Years**

(21) Appl. No.: **29/250,181**

(22) Filed: **Nov. 6, 2006**

(51) **LOC (8) Cl.** ..... **26-02**

(52) **U.S. Cl.** ..... **D26/40; D26/37**

(58) **Field of Classification Search** ..... D26/37,  
D26/40, 41, 42, 49; 362/157, 158, 171-174,  
362/192-194, 198, 201, 205, 183, 184, 186,  
362/188, 191

See application file for complete search history.

(56) **References Cited**

**U.S. PATENT DOCUMENTS**

1,904,248	A	*	4/1933	Bender et al.	.....	362/186
D312,317	S	*	11/1990	Tang	.....	D26/42
D374,098	S	*	9/1996	Lo	.....	D26/37
D374,296	S	*	10/1996	Lo	.....	D26/37
D389,930	S	*	1/1998	Lo	.....	D26/37
D409,319	S	*	5/1999	Lo	.....	D26/41
D429,354	S	*	8/2000	Petterson	.....	D26/40
D433,762	S	*	11/2000	Yuen	.....	D26/40
D442,306	S	*	5/2001	Shing	.....	D26/40
D443,088	S	*	5/2001	Skidmore et al.	.....	D26/40
D464,451	S	*	10/2002	Poon	.....	D26/37

D468,039	S	*	12/2002	Poon	.....	D26/40
D474,553	S	*	5/2003	Poon	.....	D26/40
D509,921	S	*	9/2005	Lam	.....	D26/40
D524,968	S	*	7/2006	Poon	.....	D26/40
D542,953	S	*	5/2007	Lee	.....	D26/40
D544,617	S	*	6/2007	Johnson	.....	D26/37
D544,619	S	*	6/2007	Lee	.....	D26/37

\* cited by examiner

*Primary Examiner*—Ian Simmons

*Assistant Examiner*—Carissa C Fitts

(74) *Attorney, Agent, or Firm*—Global IP Services; Tianhua Gu

(57) **CLAIM**

The ornamental design for a camping lantern, as shown and described.

**DESCRIPTION**

FIG. 1 is a perspective view of a camping lantern showing my new design;

FIG. 2 is a front view thereof;

FIG. 3 is a back view thereof;

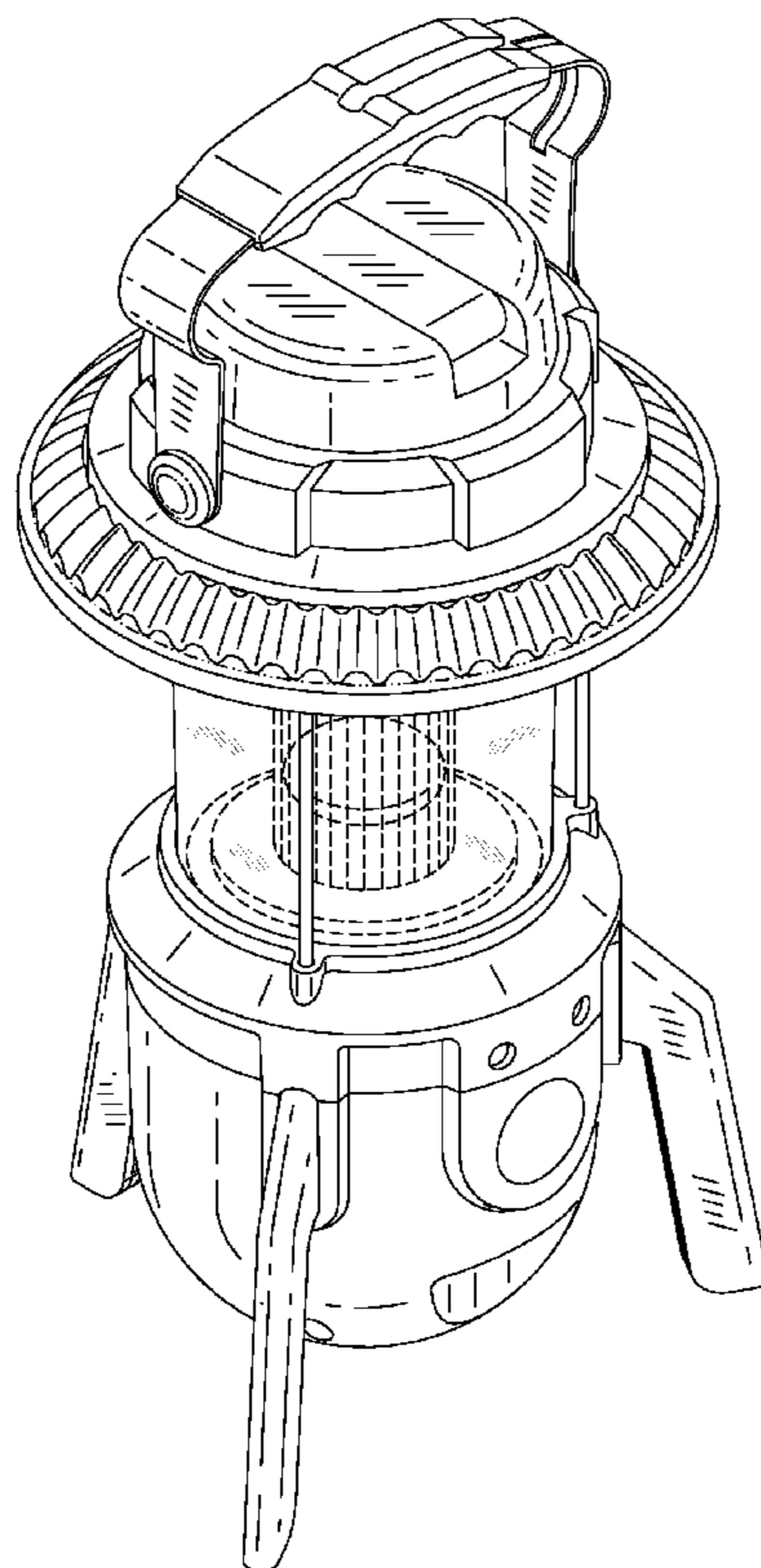
FIG. 4 is a left side view thereof;

FIG. 5 is a right side view thereof;

FIG. 6 is a top view thereof; and,

FIG. 7 is a bottom view thereof.

**1 Claim, 6 Drawing Sheets**



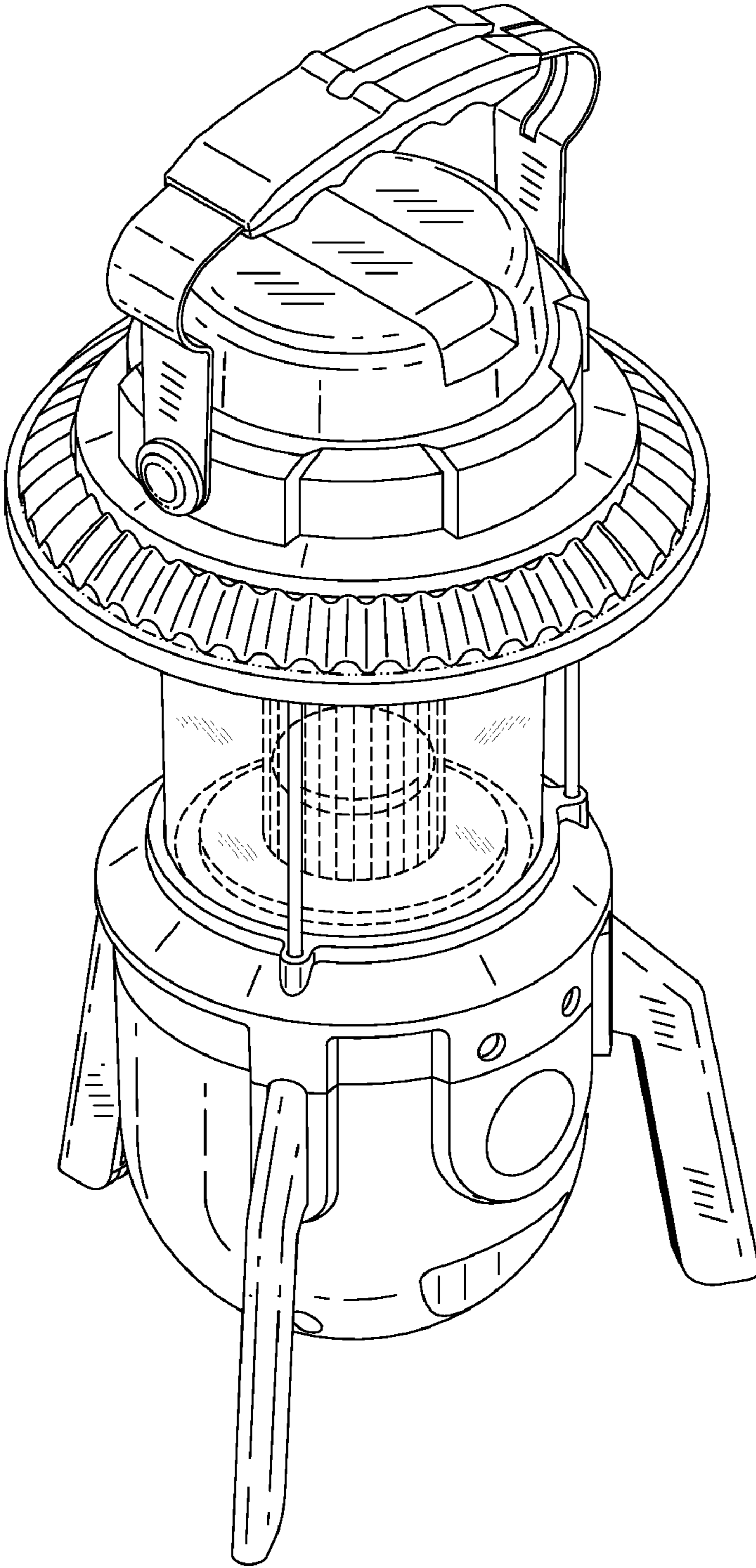


Fig. 1

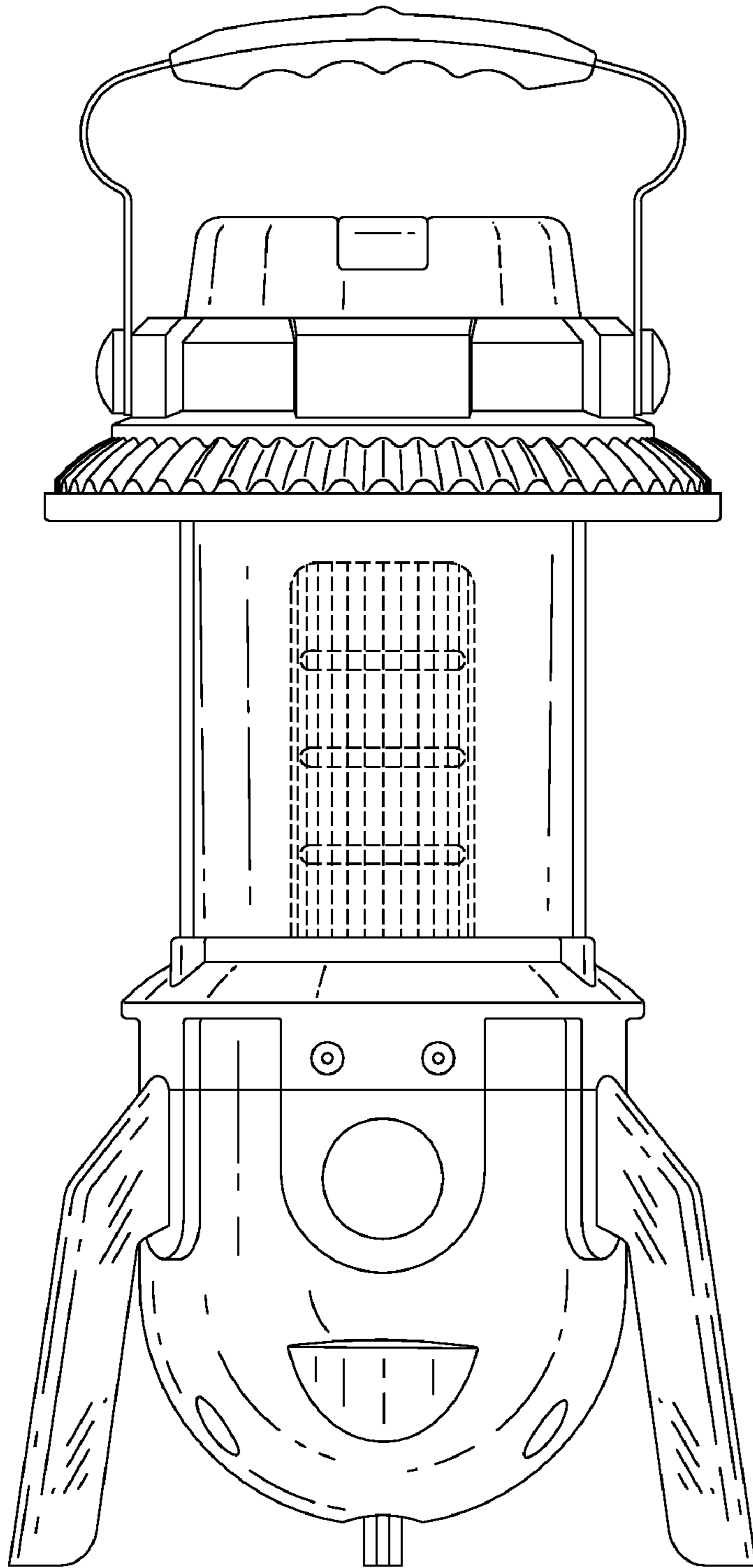


Fig. 2

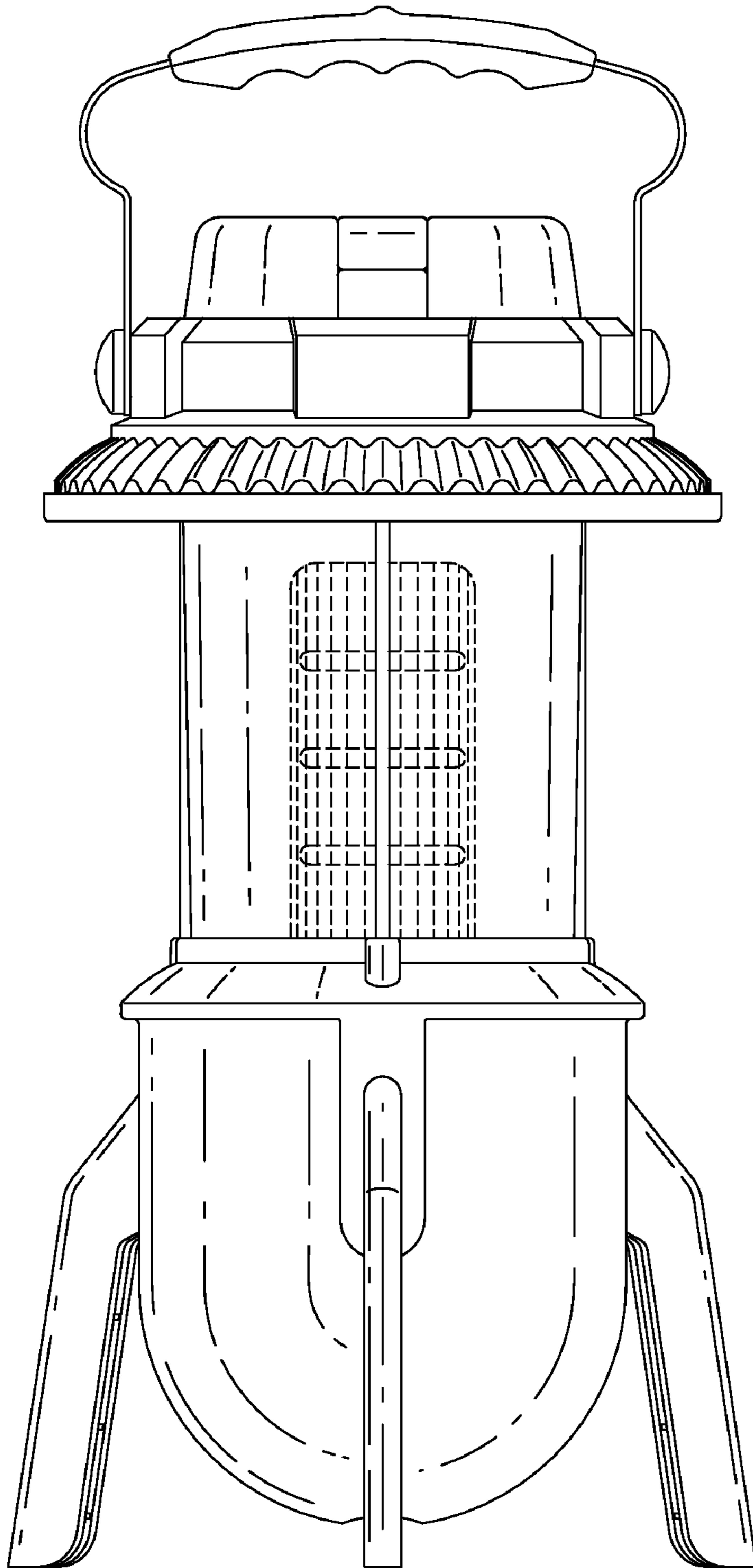


Fig. 3

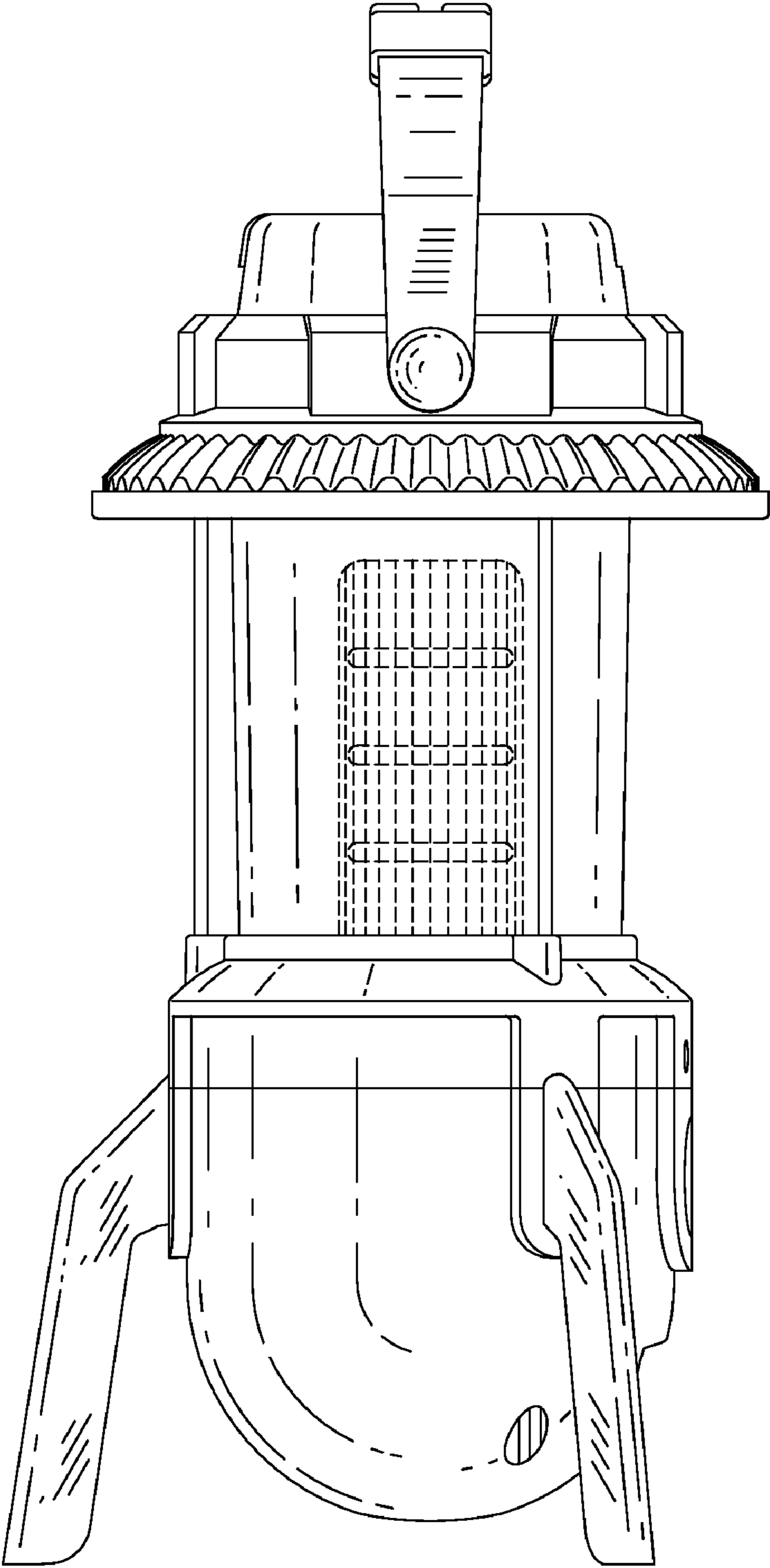


Fig. 4

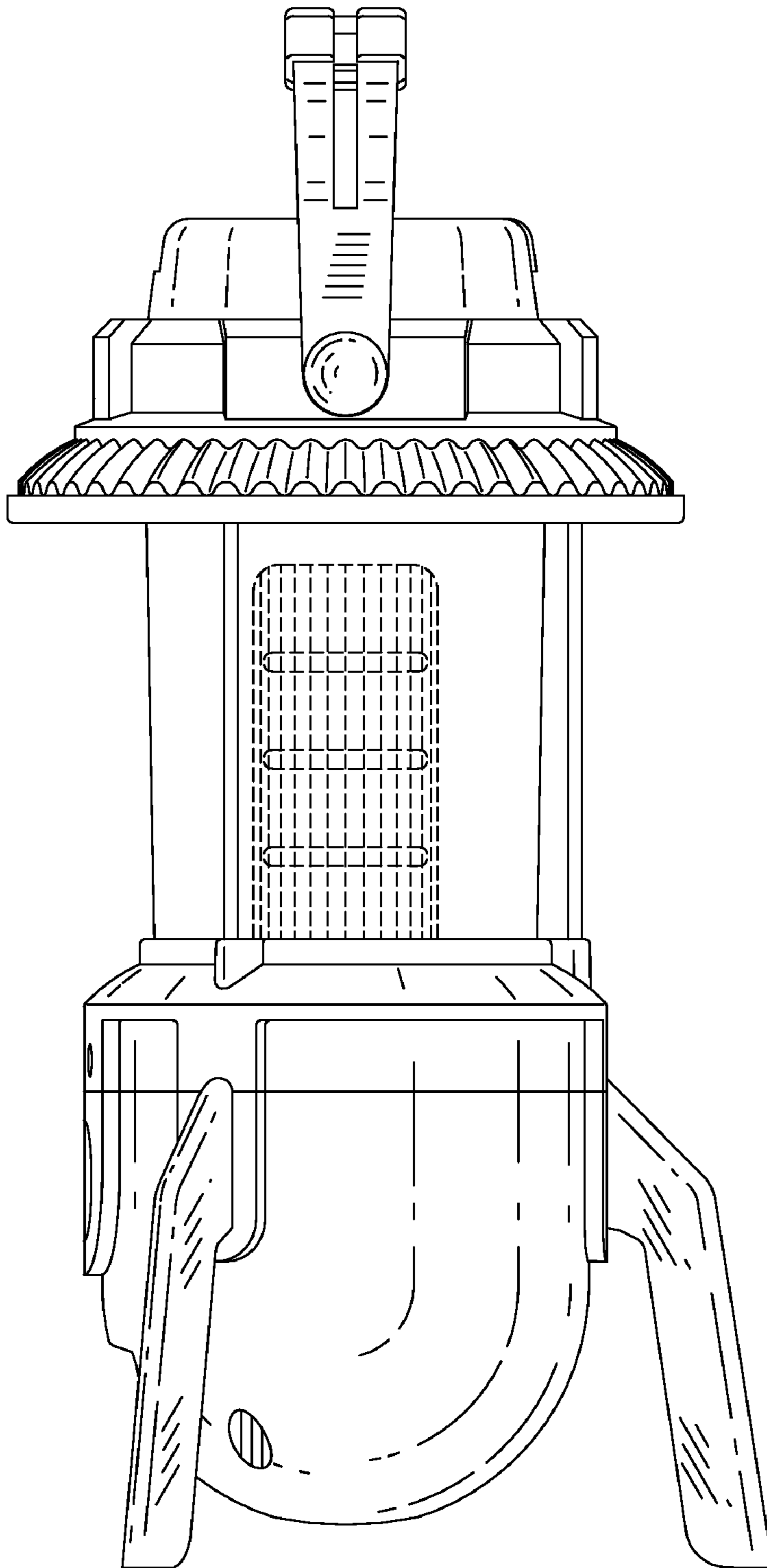


Fig. 5

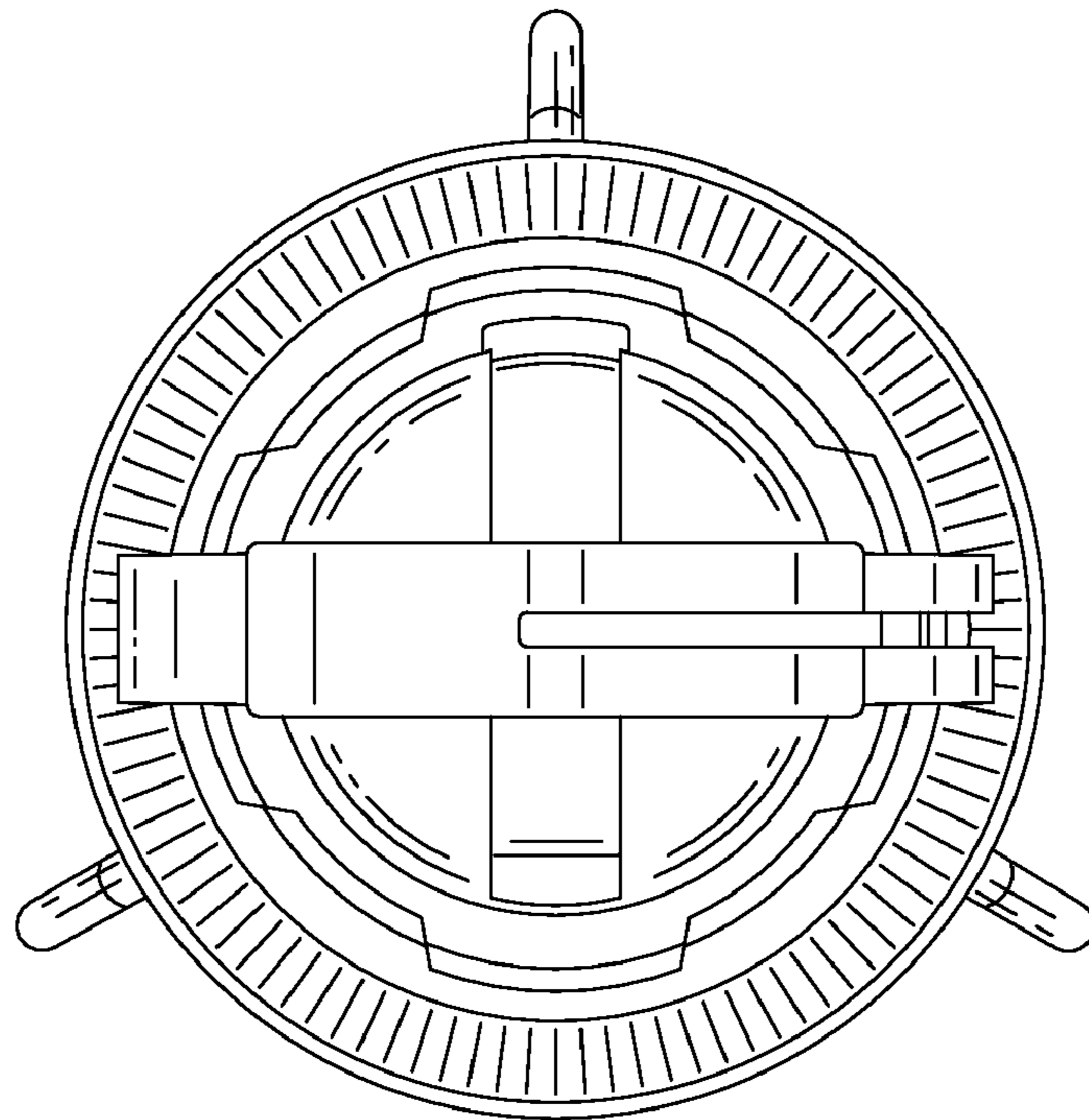


Fig. 6

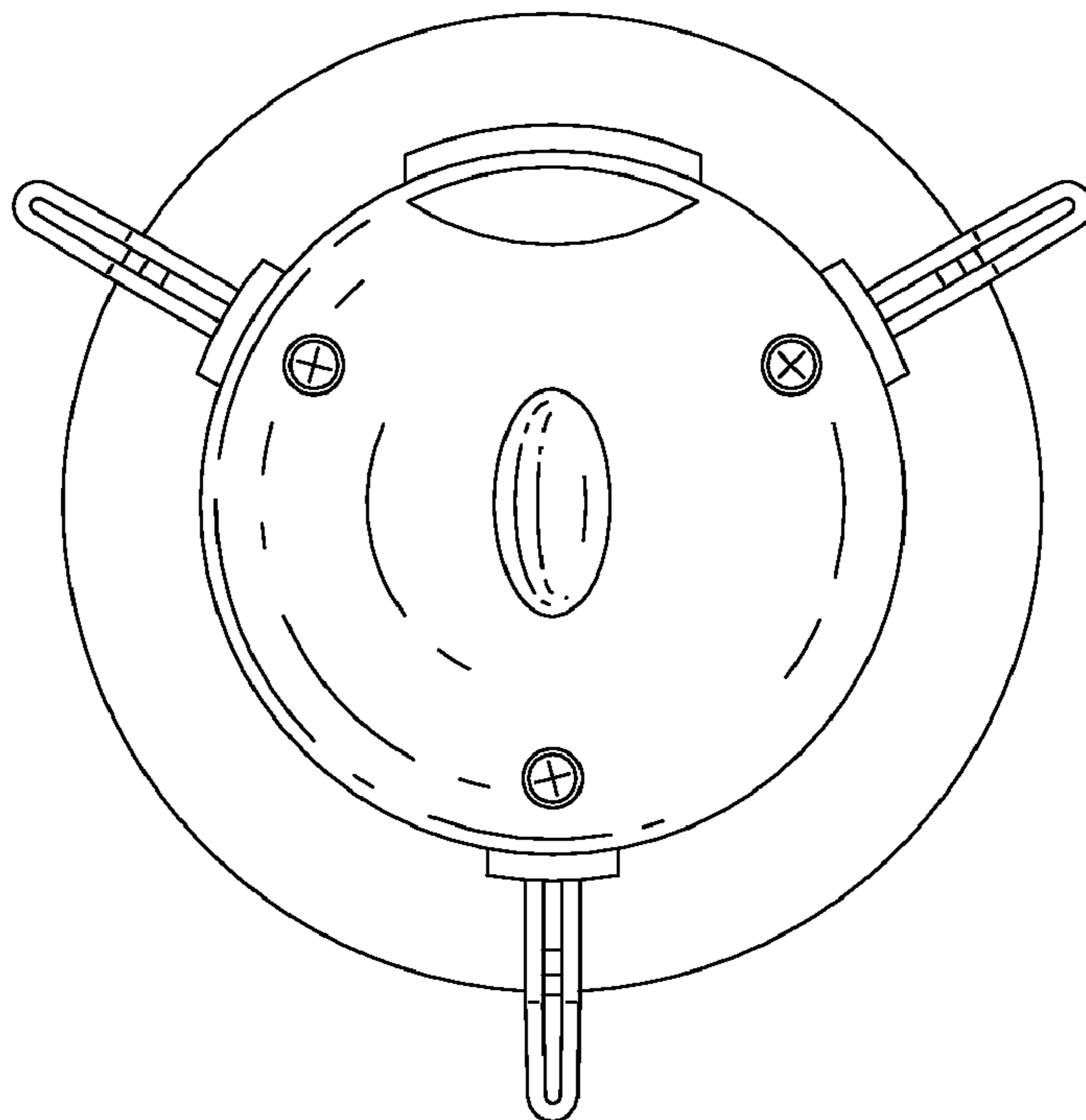


Fig. 7