



US00D571492S

(12) **United States Design Patent**
Lee

(10) **Patent No.:** **US D571,492 S**
(45) **Date of Patent:** **** Jun. 17, 2008**

(54) **FLASHLIGHT**

(76) Inventor: **Wen-Sung Lee**, 8F-2, No. 60-2, 1st
Road, Taichung Industrial Park,
Taichung 407 (TW)

(**) Term: **14 Years**

(21) Appl. No.: **29/281,843**

(22) Filed: **Jul. 3, 2007**

(51) **LOC (8) Cl.** **26-02**

(52) **U.S. Cl.** **D26/37**

(58) **Field of Classification Search** D26/37-50;
362/157, 158, 171-174, 183-208
See application file for complete search history.

(56) **References Cited**

U.S. PATENT DOCUMENTS

D544,973 S *	6/2007	Lee	D26/37
D544,975 S *	6/2007	Lee	D26/37
D547,890 S *	7/2007	Lee	D26/37
D560,296 S *	1/2008	Lee	D26/37

* cited by examiner

Primary Examiner—Marcus A. Jackson
(74) *Attorney, Agent, or Firm*—Banger Shia

(57) **CLAIM**

I claim the ornamental design for a flashlight, as shown and described.

DESCRIPTION

FIG. 1 is a perspective view of a flashlight, showing my new design;

FIG. 2 is a front elevational view thereof;

FIG. 3 is a rear elevational view thereof;

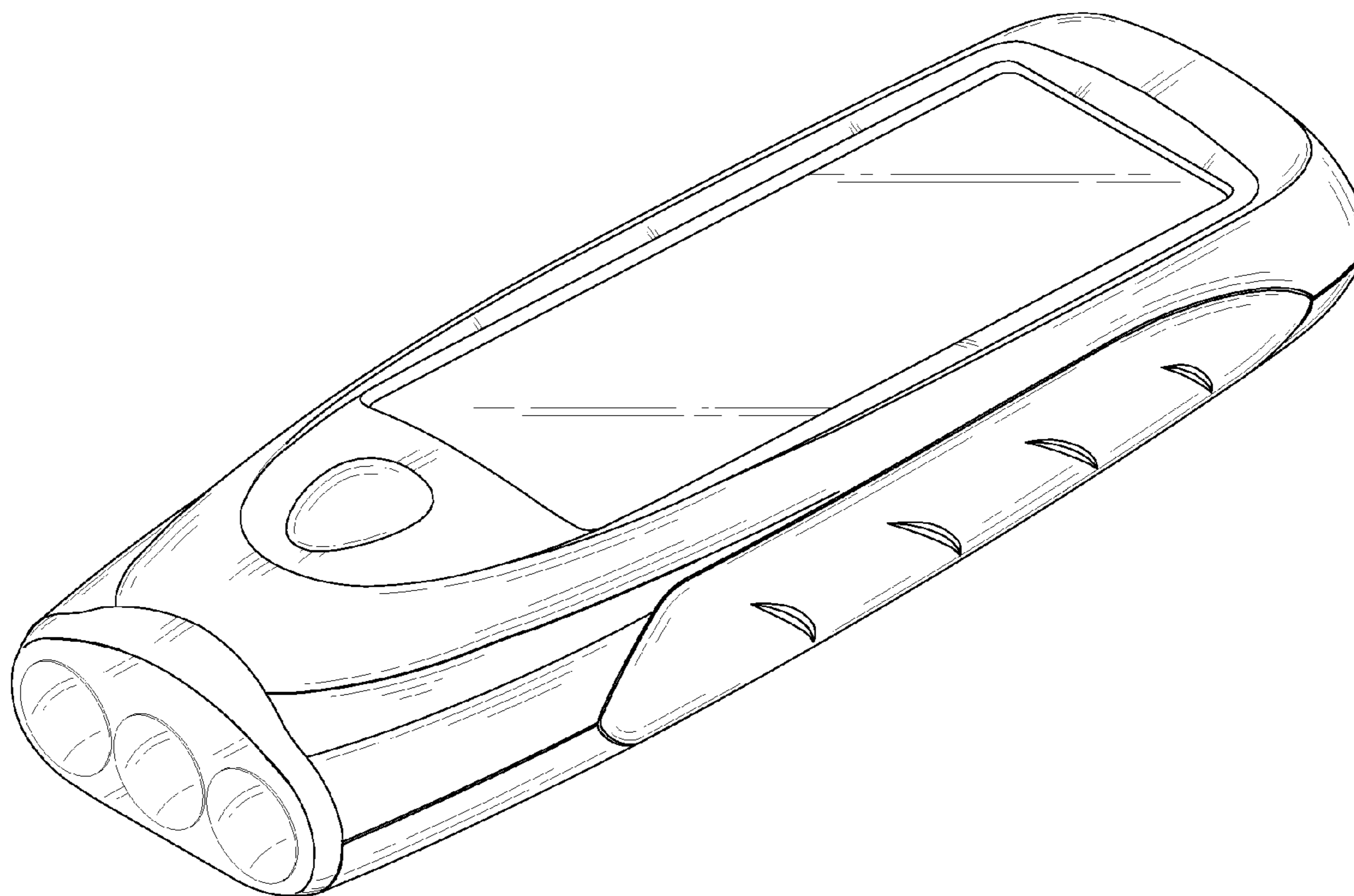
FIG. 4 is a left side elevational view thereof;

FIG. 5 is a right side elevational view thereof;

FIG. 6 is a top plan view thereof; and,

FIG. 7 is a bottom plan view thereof.

1 Claim, 7 Drawing Sheets



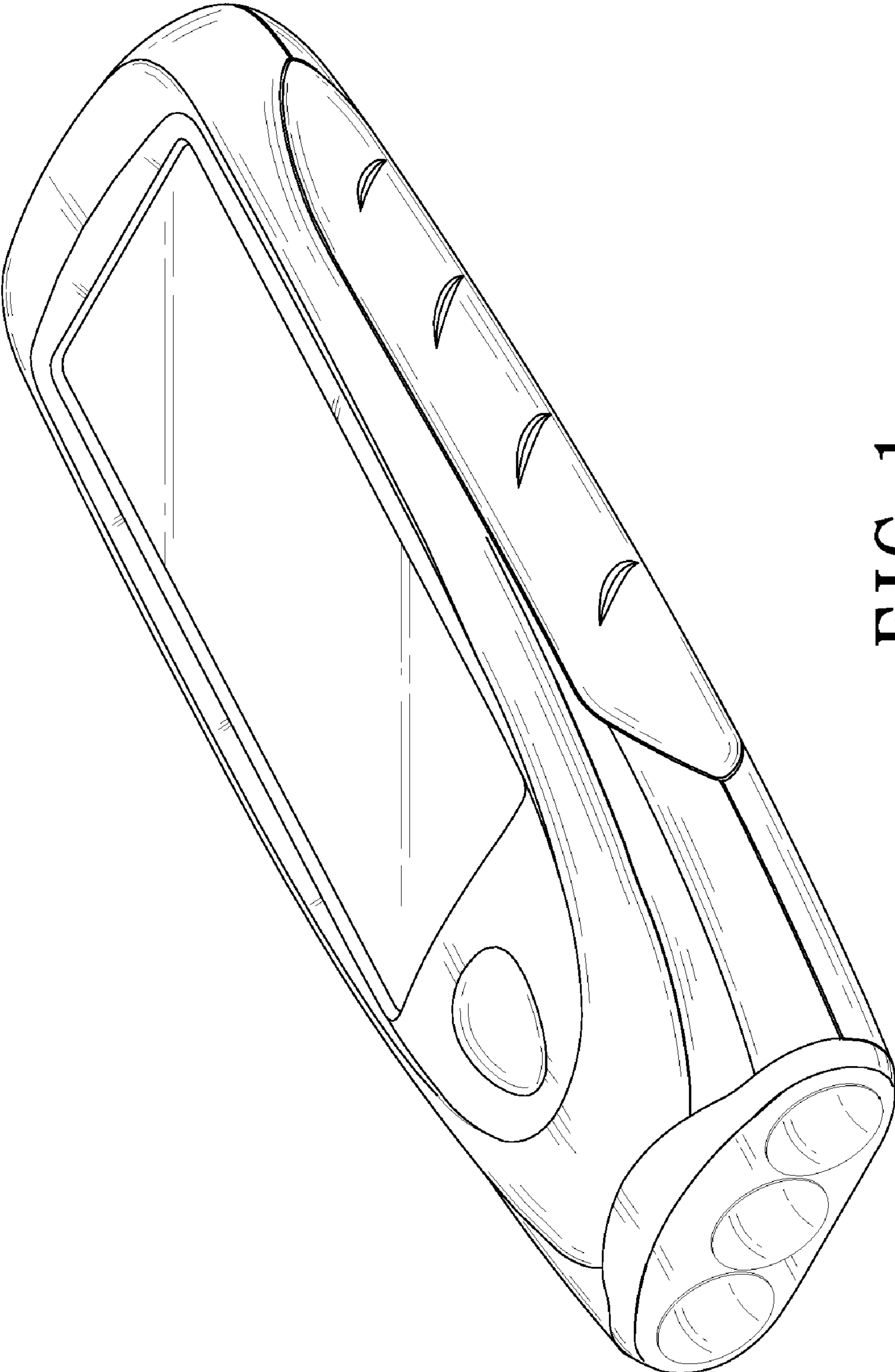


FIG. 1

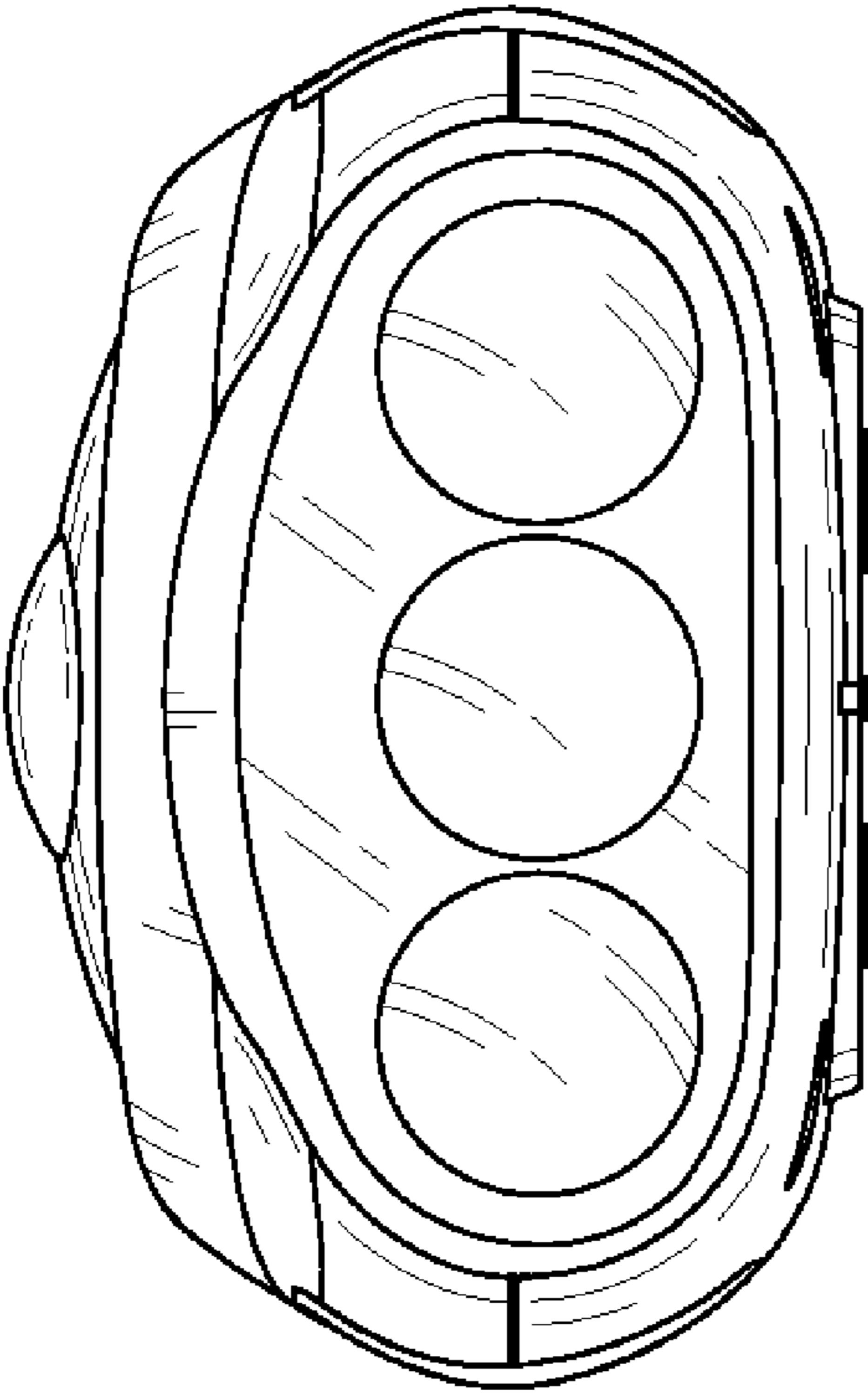


FIG. 2

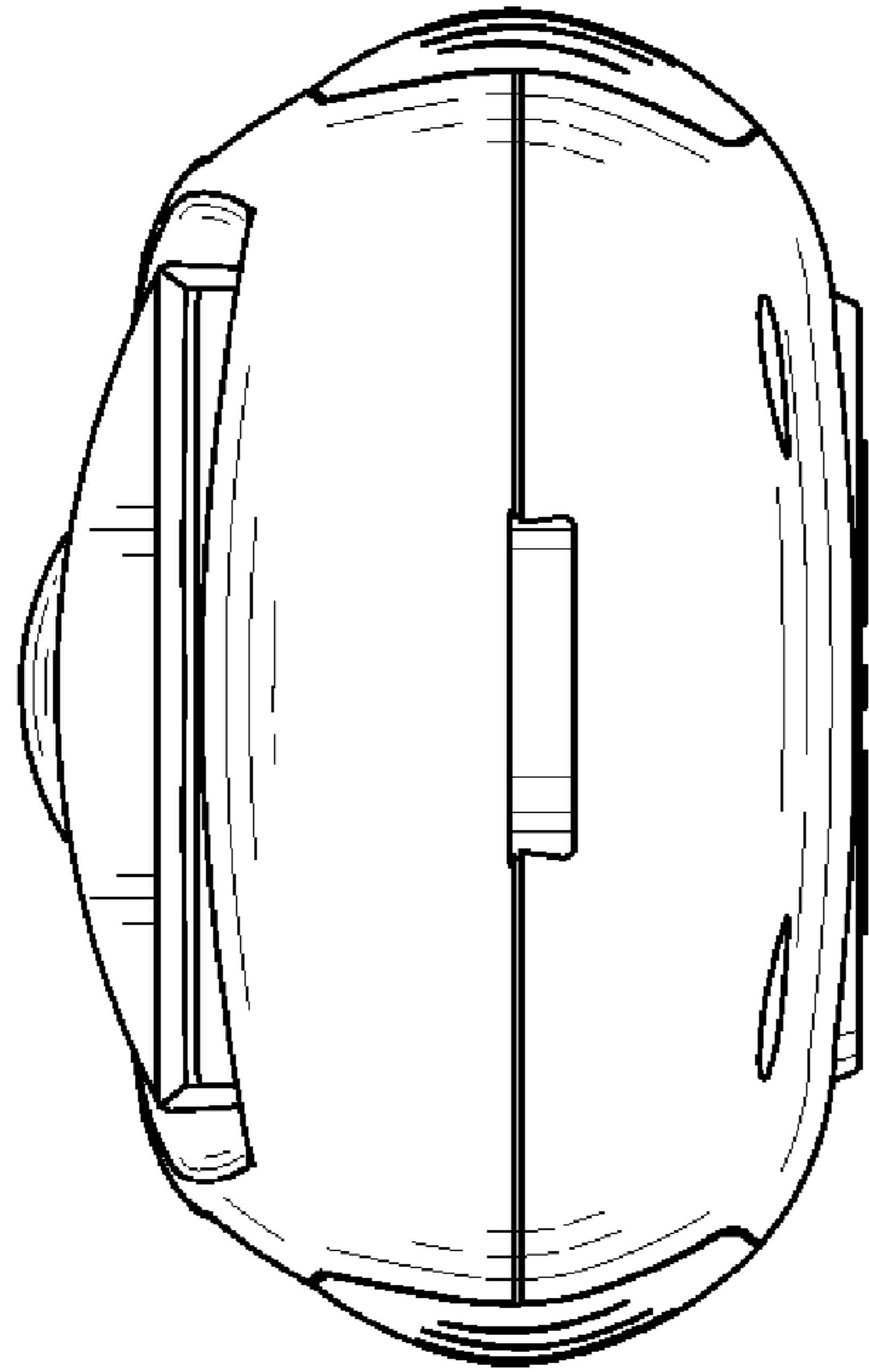


FIG. 3



FIG. 4



FIG. 5

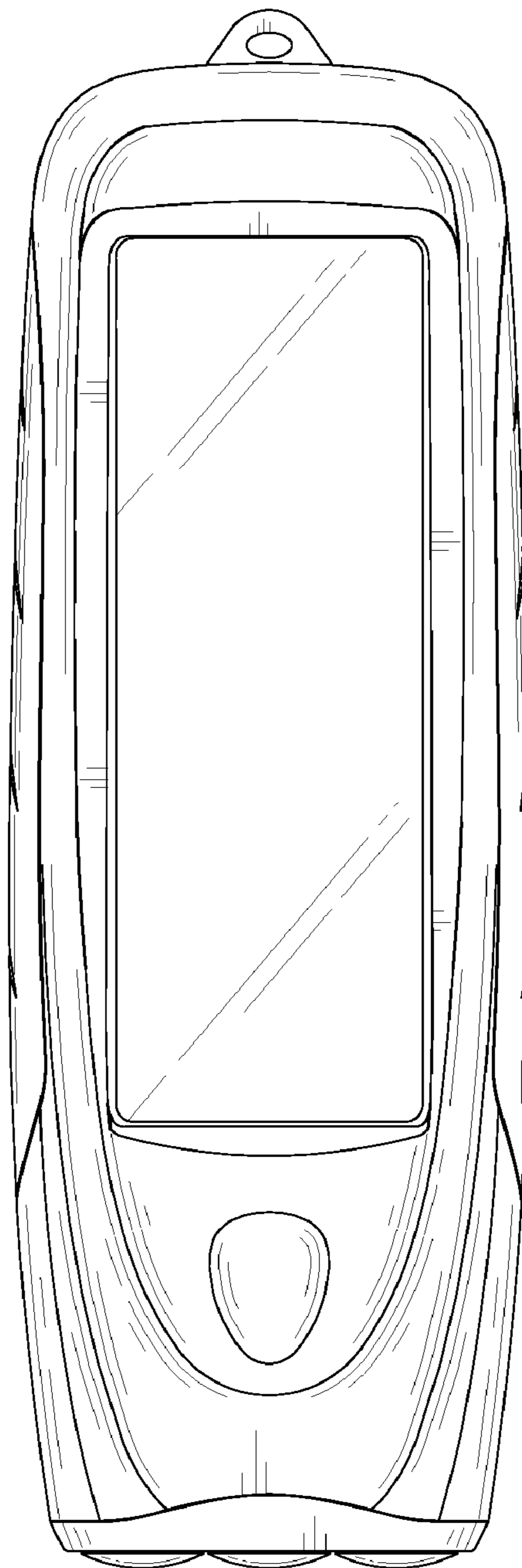


FIG. 6

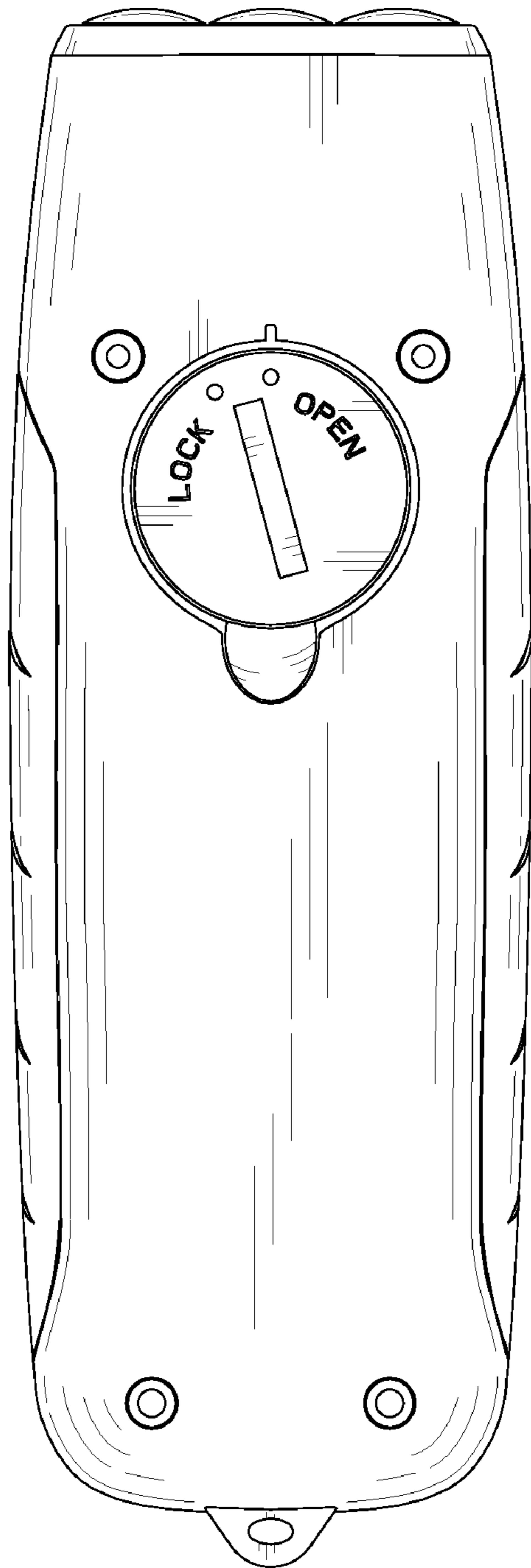


FIG. 7