

US00D571489S

(12) **United States Design Patent**
Opolka

(10) **Patent No.:** **US D571,489 S**
(45) **Date of Patent:** **** Jun. 17, 2008**

(54) **SPOTLIGHT**

D551,784 S * 9/2007 Krieglmeier et al. D26/2
D556,348 S * 11/2007 Foo D26/2

(75) Inventor: **Rainer Opolka**, Solingen (DE)

(73) Assignee: **Zweibruder Optoelectronics GmbH**,
Solingen (DE)

(**) Term: **14 Years**

* cited by examiner

Primary Examiner—Marcus A. Jackson

(74) *Attorney, Agent, or Firm*—Andrew Wilford

(21) Appl. No.: **29/227,107**

(22) Filed: **Mar. 28, 2005**

(57) **CLAIM**

The ornamental design for a spotlight, as shown and described.

(30) **Foreign Application Priority Data**

Sep. 30, 2004 (EP) 000237805

(51) **LOC (8) Cl.** **26-04**

(52) **U.S. Cl.** **D26/2**

(58) **Field of Classification Search** D26/1-4;
313/313, 315, 317, 318, 493; 315/52, 53,
315/56, 57, 58

See application file for complete search history.

DESCRIPTION

FIG. 1 is a perspective view of a spotlight showing my new design;

FIG. 2 is a front elevational view thereof;

FIG. 3 is a bottom plan view thereof; and,

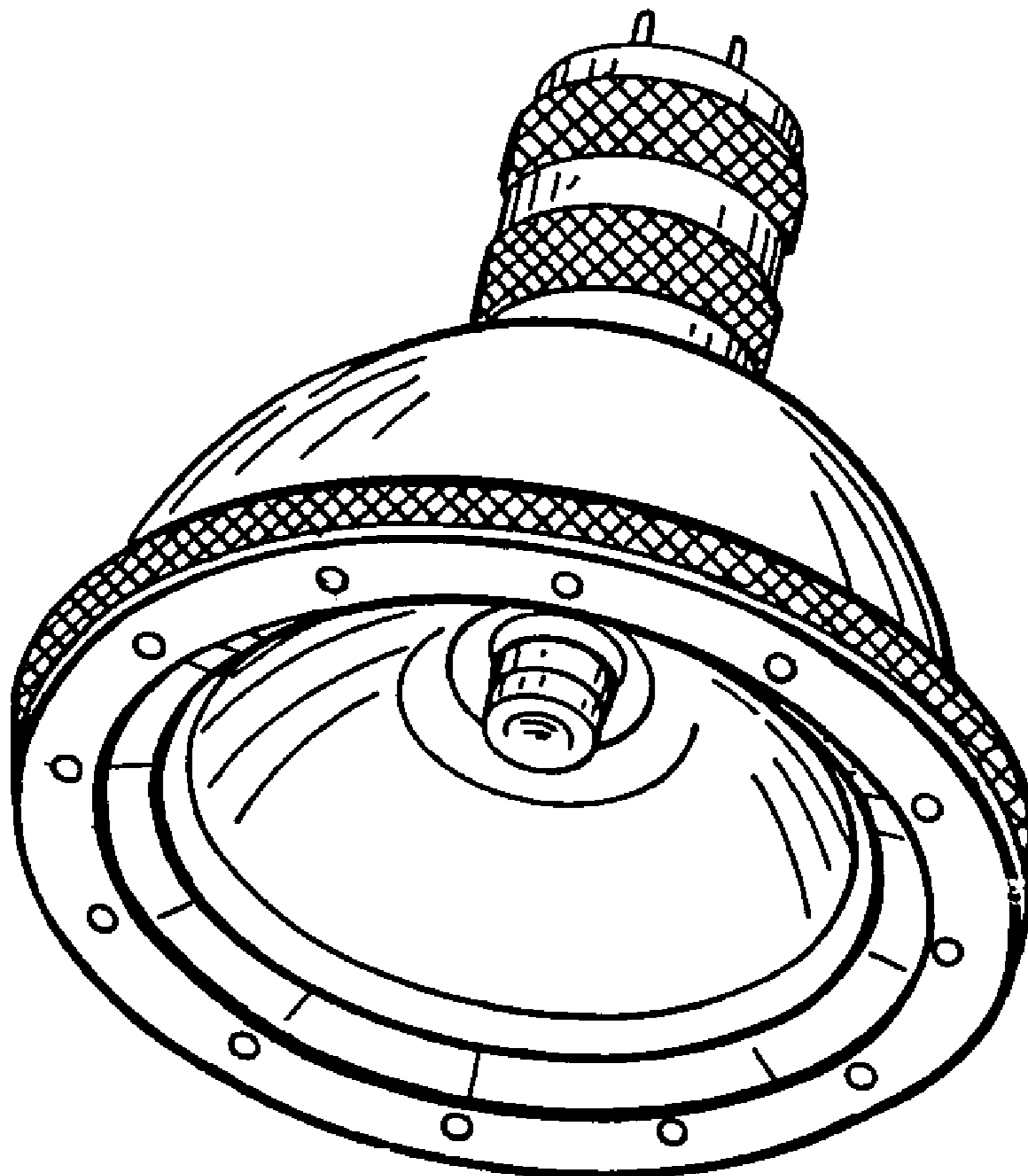
FIG. 4 is a top plan view thereof.

(56) **References Cited**

U.S. PATENT DOCUMENTS

D497,439 S * 10/2004 Shaw et al. D26/2

1 Claim, 2 Drawing Sheets



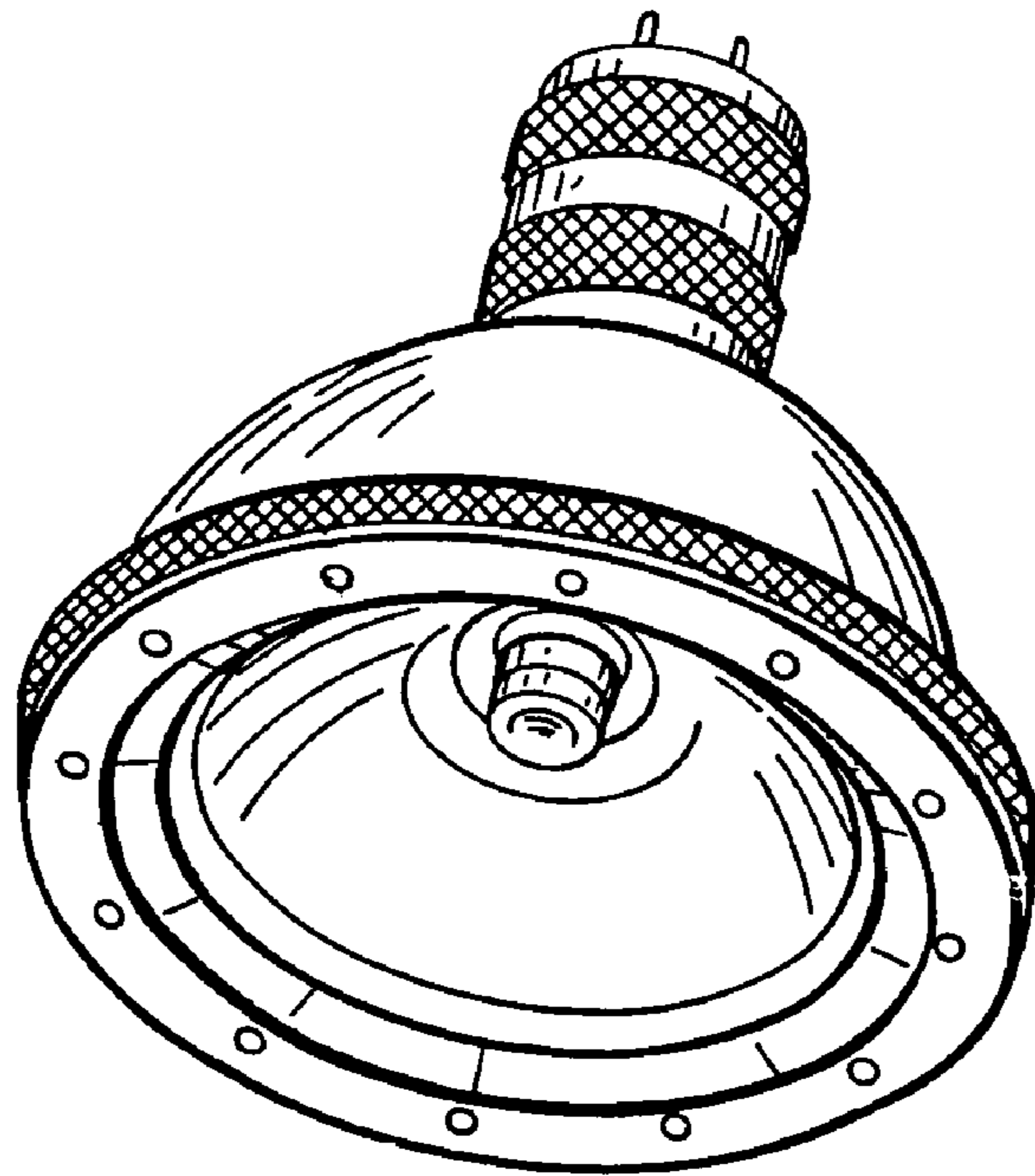


FIG.1

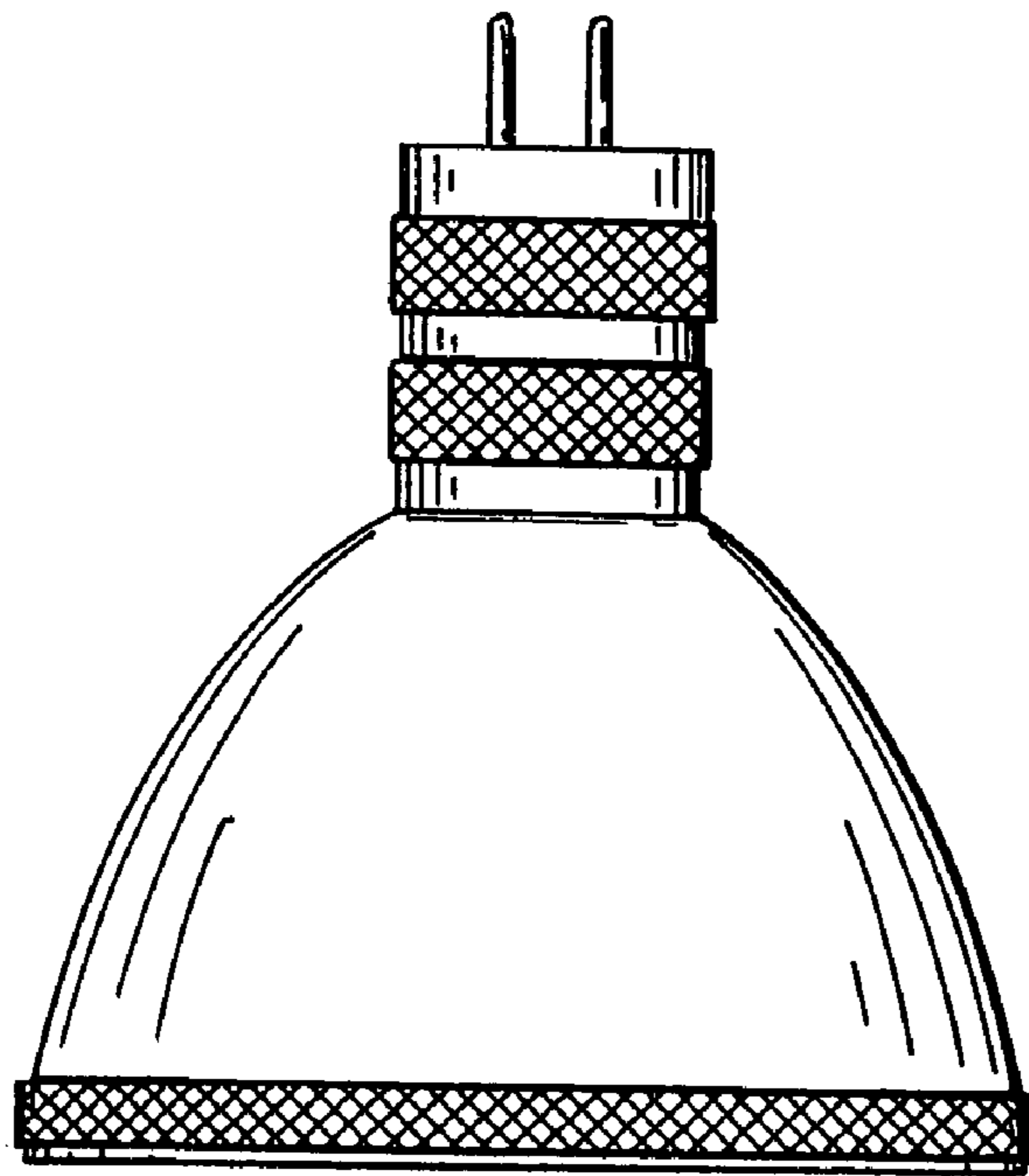


FIG.2

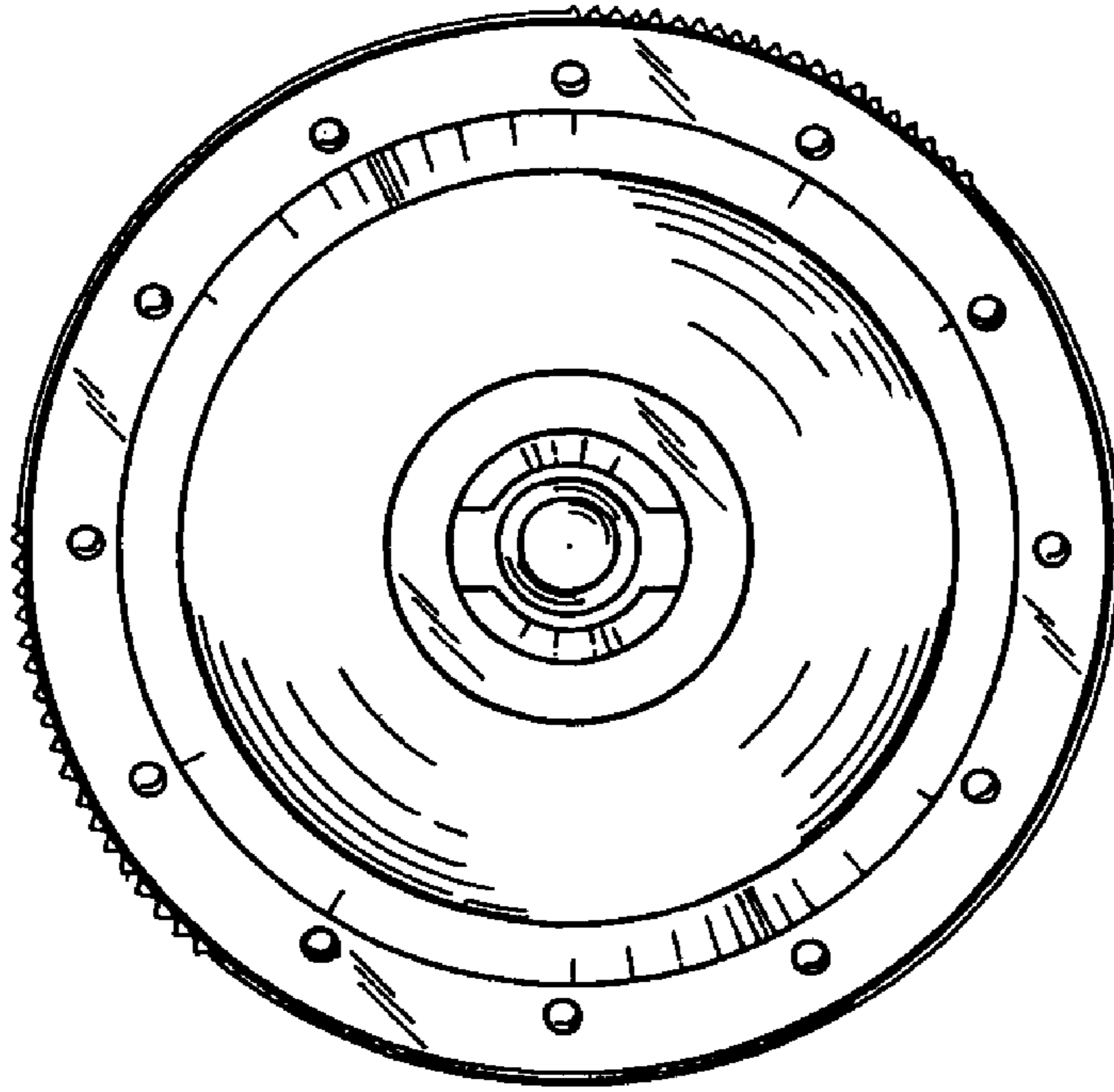


FIG.3

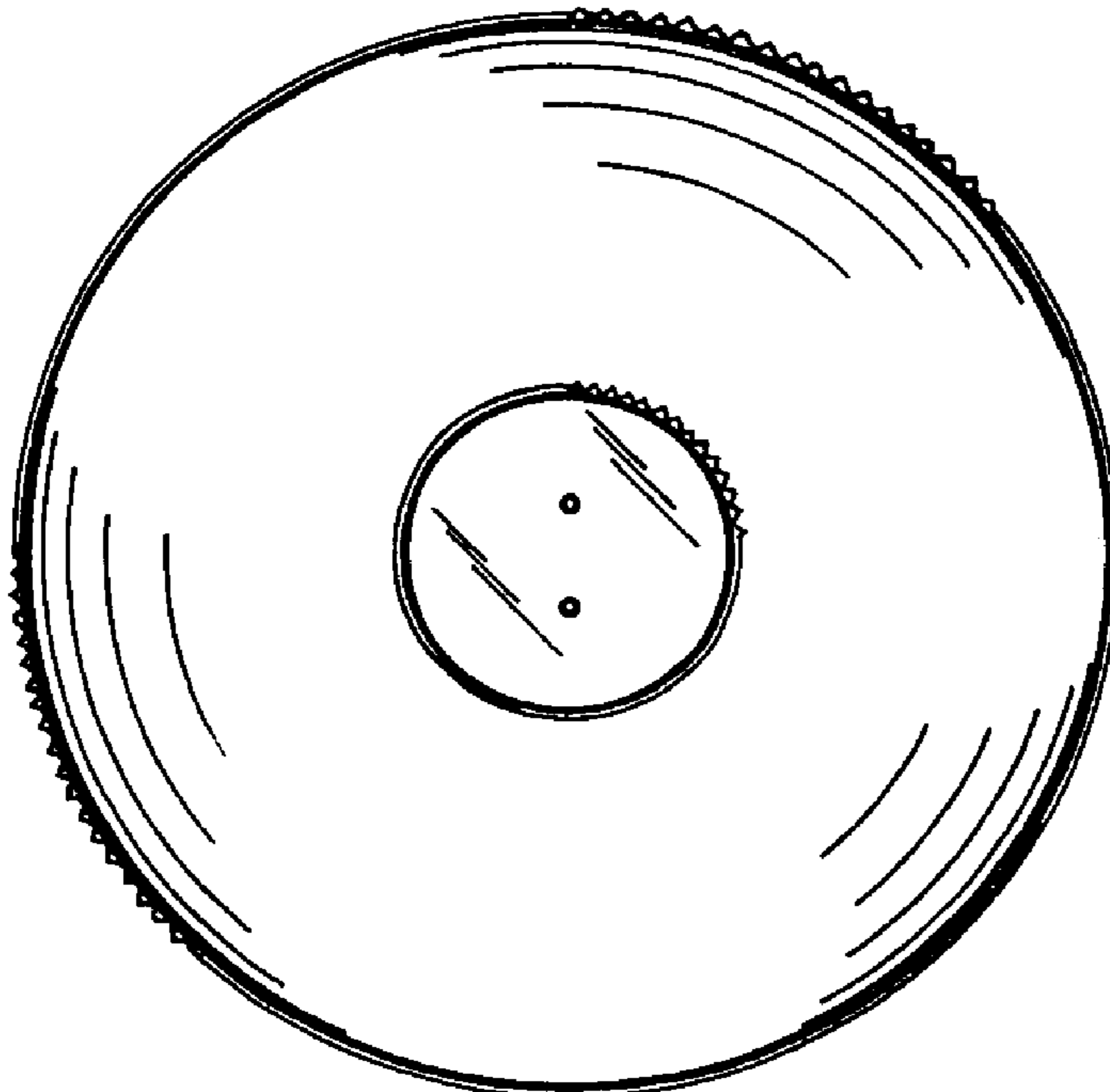


FIG.4