



US00D571488S

(12) **United States Design Patent**
Mann

(10) **Patent No.:** **US D571,488 S**

(45) **Date of Patent:** **** Jun. 17, 2008**

(54) **SMOKE SEAL**

(76) Inventor: **Robert McGowan Mann**, "Lakeham Lodge" Higher Ashton, Exeter, Devon (GB) EX6 7RB

(**) Term: **14 Years**

(21) Appl. No.: **29/286,648**

(22) Filed: **May 14, 2007**

(51) **LOC (8) Cl.** **25-01**

(52) **U.S. Cl.** **D25/164**

(58) **Field of Classification Search** D25/199,
D25/55, 164; 52/406.1, 407.3, 407.5, 404.1,
52/396.01; 277/931

See application file for complete search history.

(56) **References Cited**

U.S. PATENT DOCUMENTS

D299,171 S * 12/1988 Allen, Jr. D25/164

D418,234 S * 12/1999 Smith, Jr. D25/164

6,115,976 A * 9/2000 Gomez 52/232

6,125,601 A * 10/2000 Barnes et al. 52/396.01

D463,581 S * 9/2002 Mann D25/164

* cited by examiner

Primary Examiner—Doris Clark

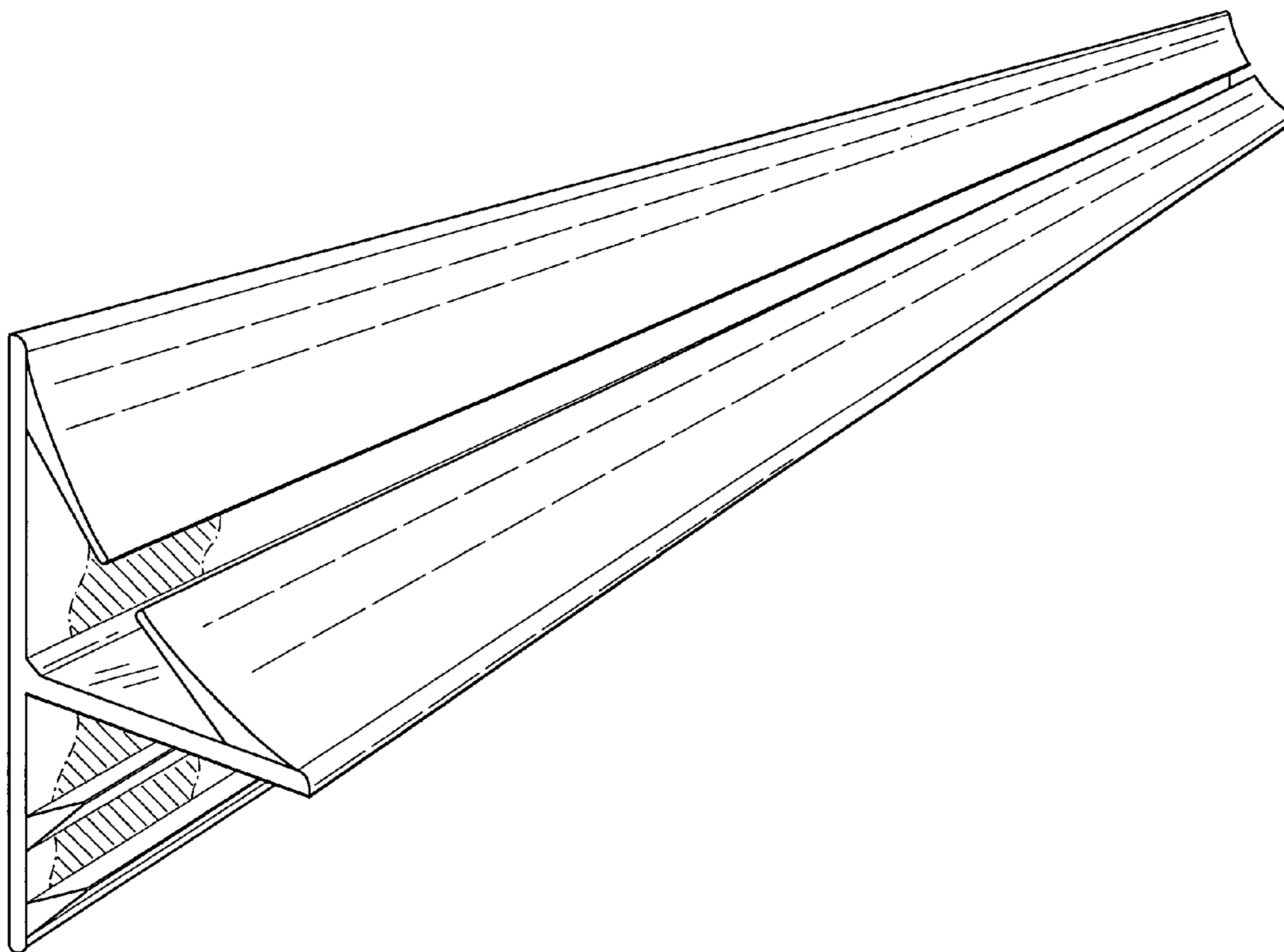
(57) **CLAIM**

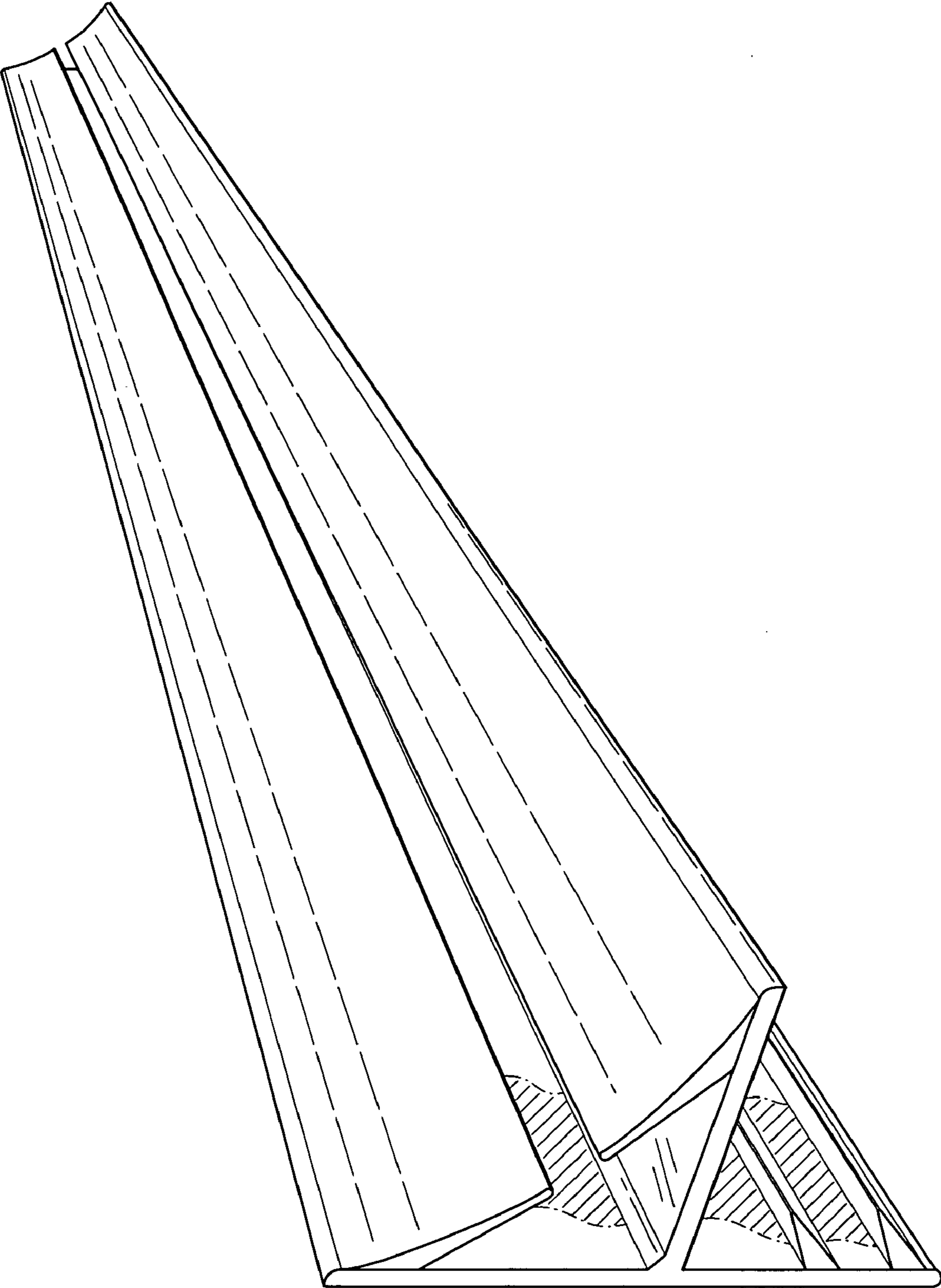
The ornamental design for a smoke seal, as shown and described.

DESCRIPTION

The FIGURE is a perspective view of a smoke seal incorporating the new design.

1 Claim, 1 Drawing Sheet





The Figure