



US00D571487S

(12) **United States Design Patent**  
**Jarrett**

(10) **Patent No.:** **US D571,487 S**  
(45) **Date of Patent:** **\*\* Jun. 17, 2008**

(54) **INTER-CONNECTED LAWN EDGING SYSTEM**

(76) **Inventor:** **Timothy B. Jarrett**, 9091 Footmill Rd.,  
Erie, PA (US) 16509

(\*\*) **Term:** **14 Years**

(21) **Appl. No.:** **29/282,246**

(22) **Filed:** **Jul. 16, 2007**

(51) **LOC (8) Cl.** ..... **25-01**

(52) **U.S. Cl.** ..... **D25/164**

(58) **Field of Classification Search** ..... D25/164;  
47/47, 32.4; 52/102

See application file for complete search history.

(56) **References Cited**

**U.S. PATENT DOCUMENTS**

- D229,209 S \* 11/1973 Tabone ..... D25/164
- 5,134,817 A \* 8/1992 Richardt ..... 52/102
- D385,635 S \* 10/1997 Nebelsieck ..... D25/164

\* cited by examiner

*Primary Examiner*—Doris Clark

(57) **CLAIM**

I claim, the ornamental design for the inter-connected lawn edging system, as shown and described.

**DESCRIPTION**

FIG. 1 is a front elevational view of the inter-connected lawn edging system showing my new design;

FIG. 2 is a rear elevational view of the inter-connected lawn edging system thereof;

FIG. 3 is a left-side elevational view of the inter-connected lawn edging system thereof;

FIG. 4 is right side elevational view of the inter-connected lawn edging system thereof;

FIG. 5 is a top plan view of the inter-connected lawn edging system thereof;

FIG. 6 is a bottom plan view of the inter-connected lawn edging system thereof; and,

FIG. 7 is a perspective view of the inter-connected lawn edging system thereof in an assembled state.

**1 Claim, 7 Drawing Sheets**

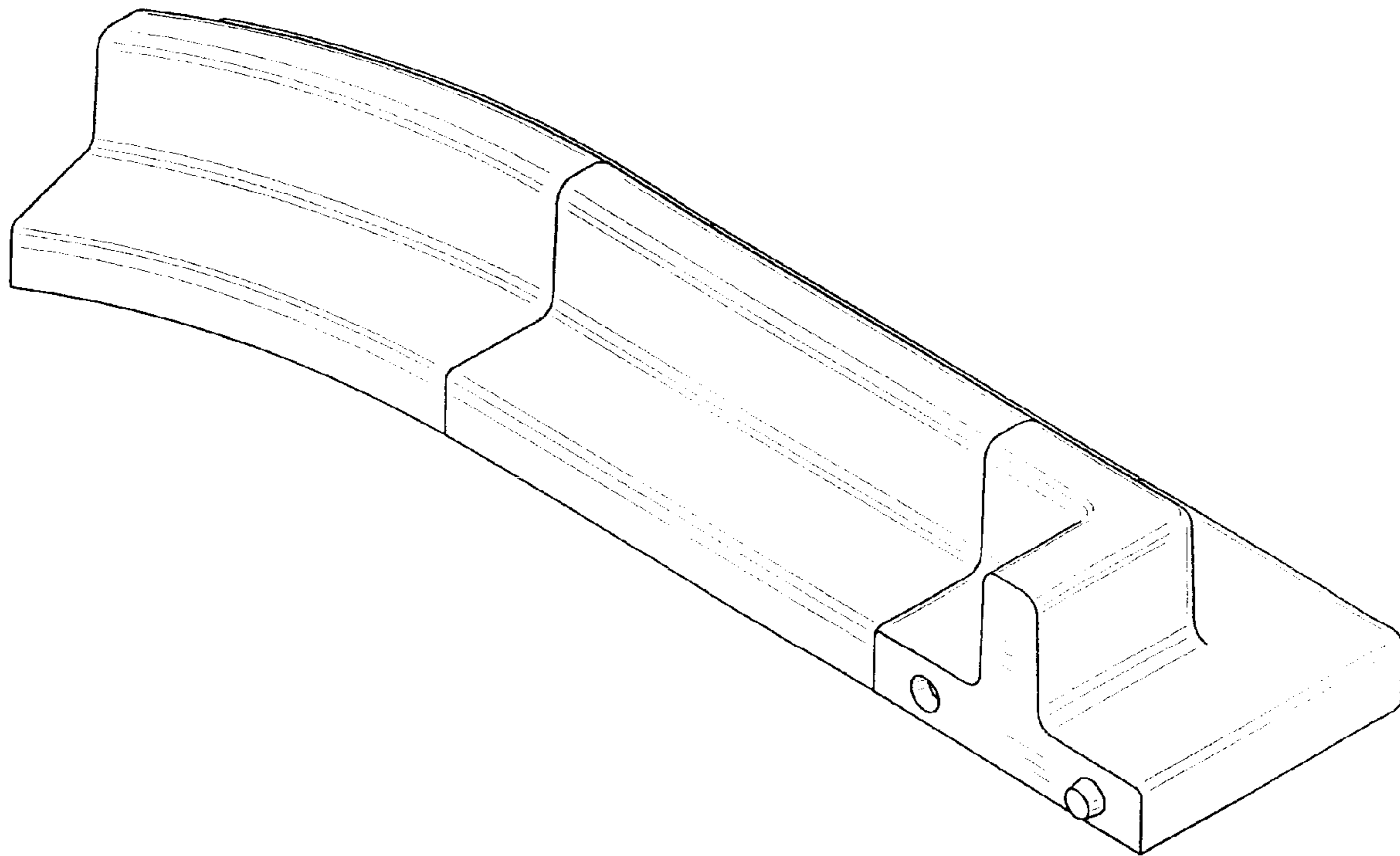


FIG. 1

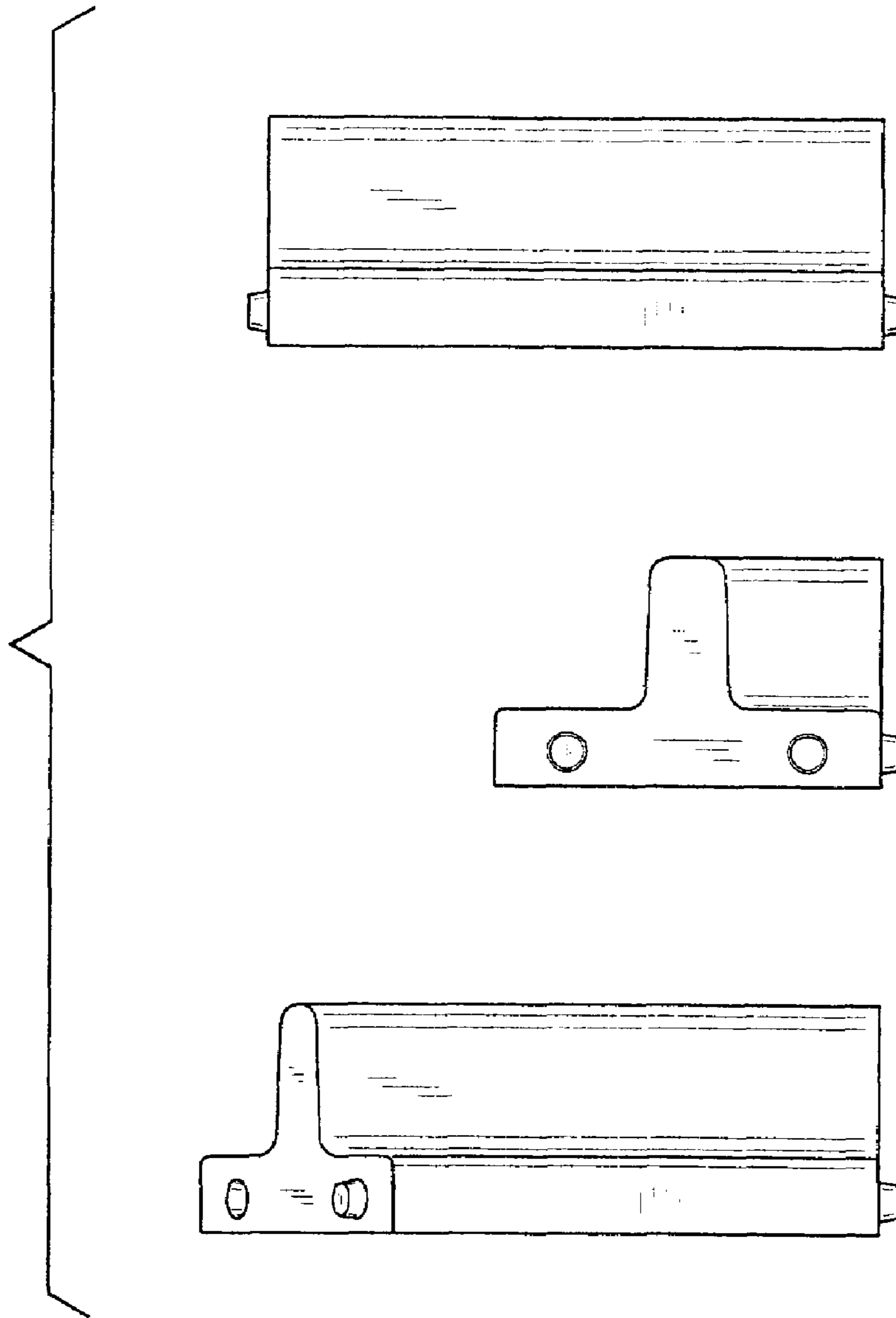
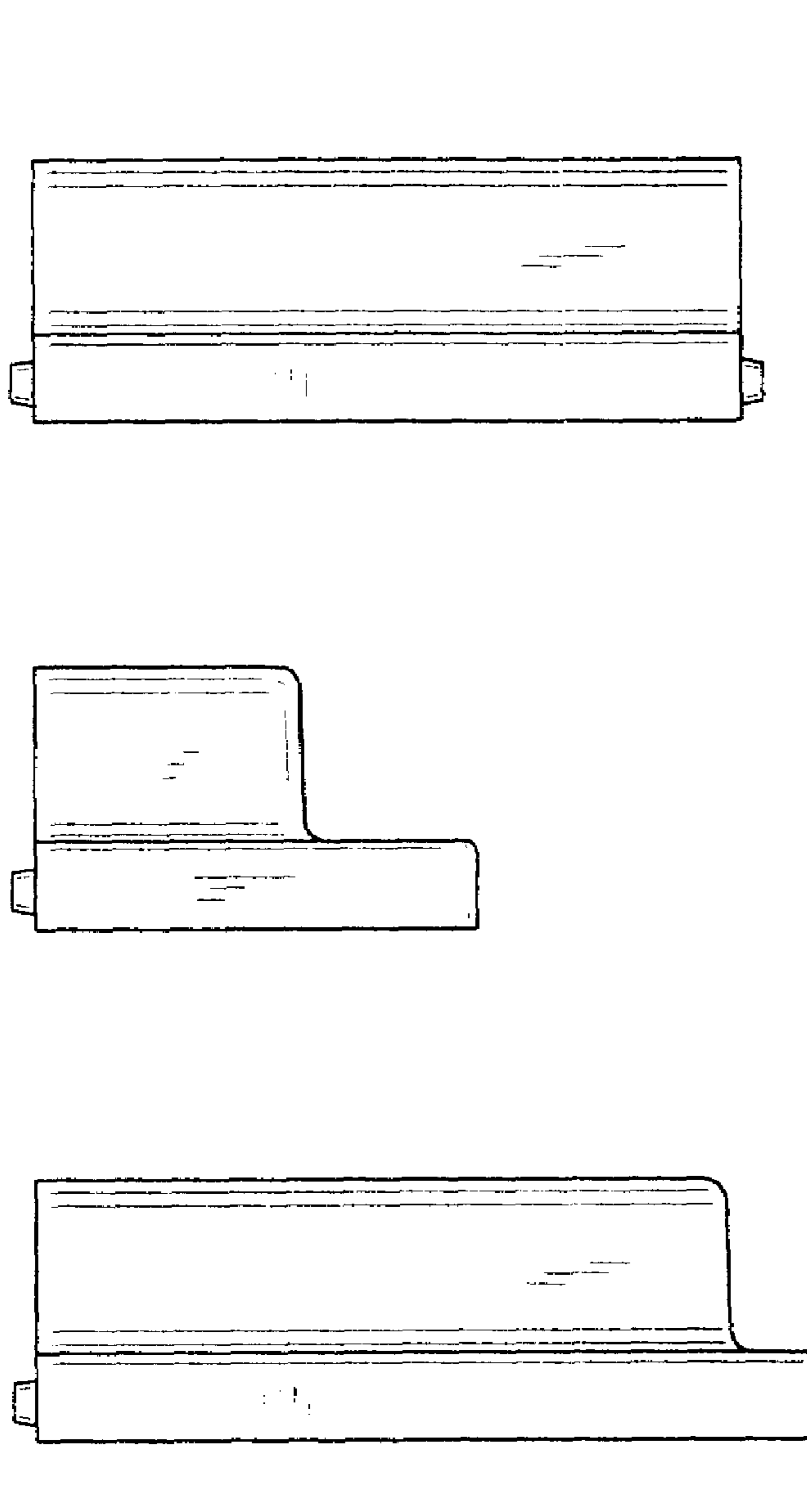


FIG. 2



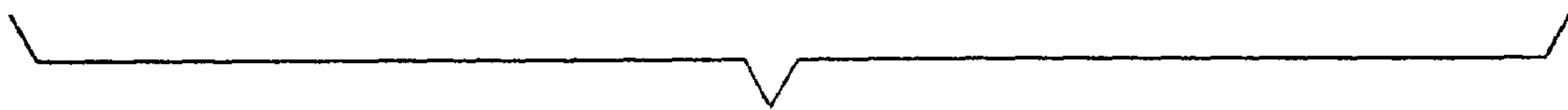
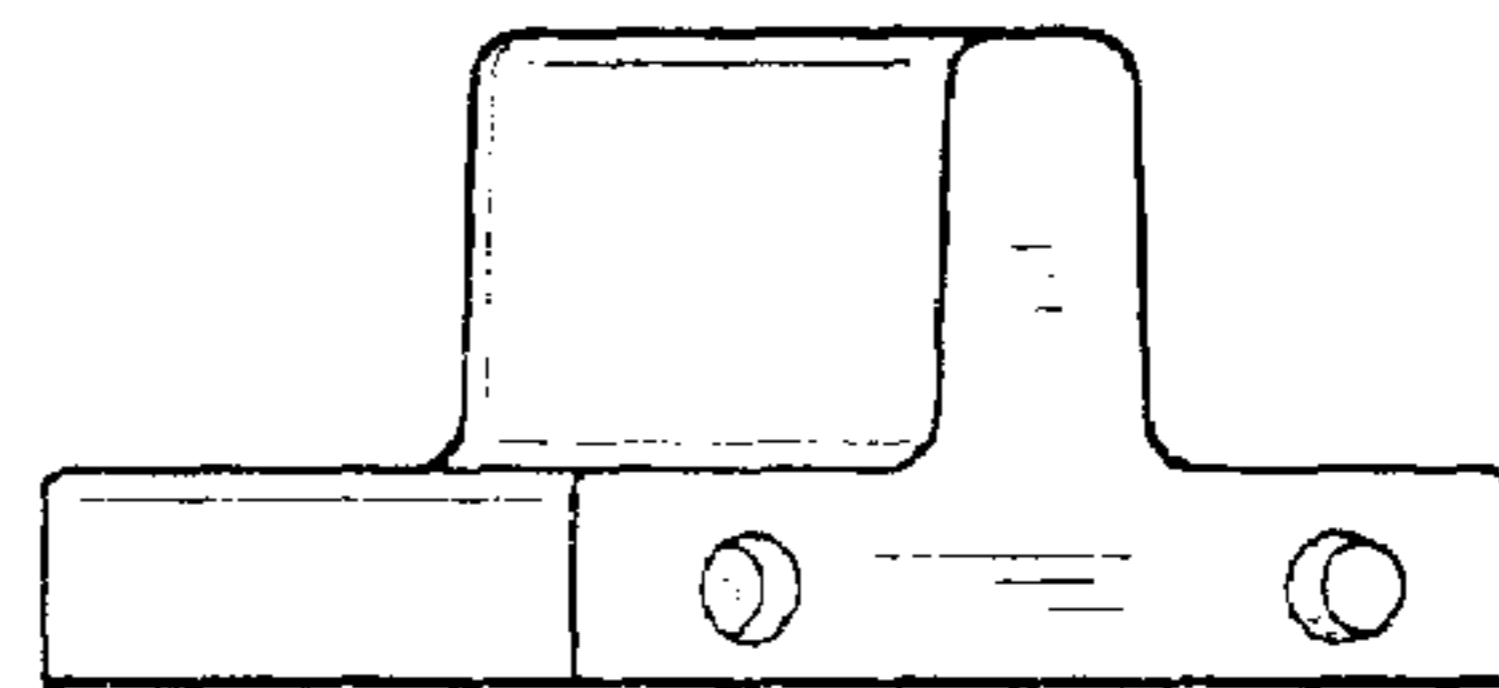
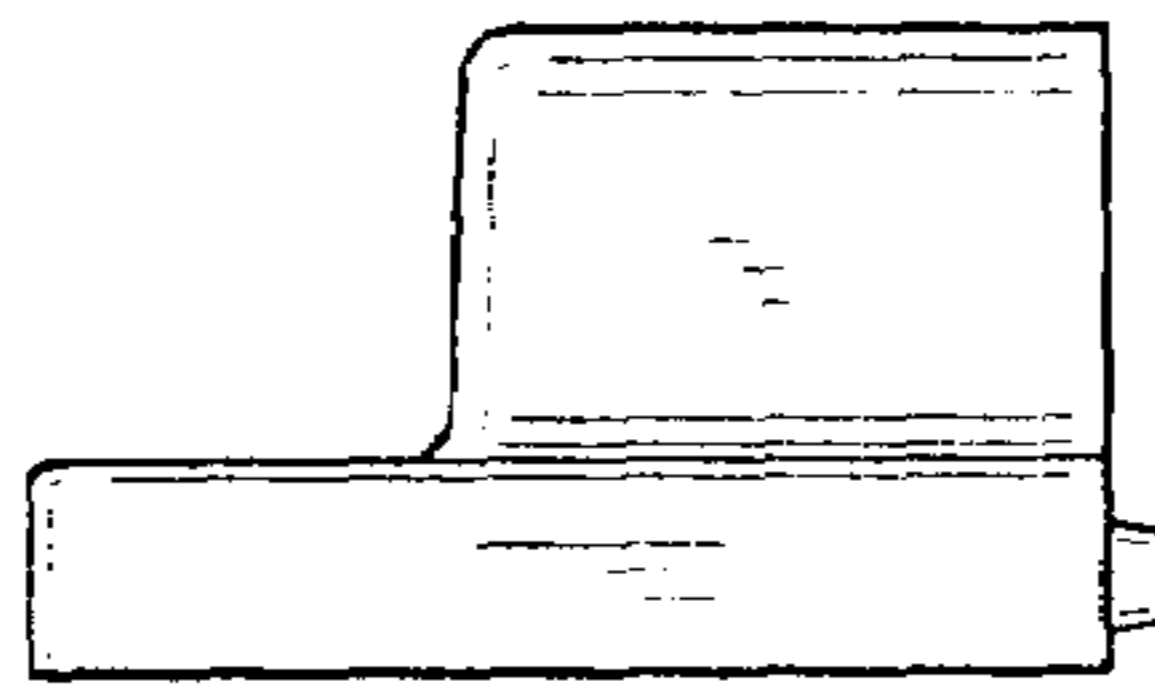
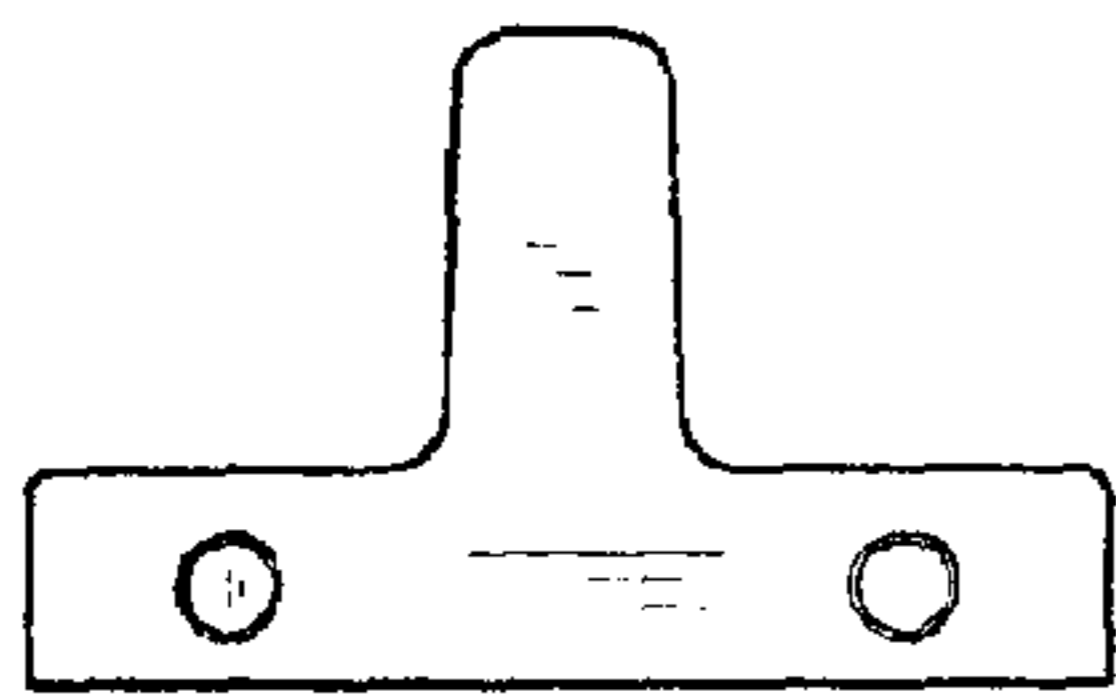


FIG. 3

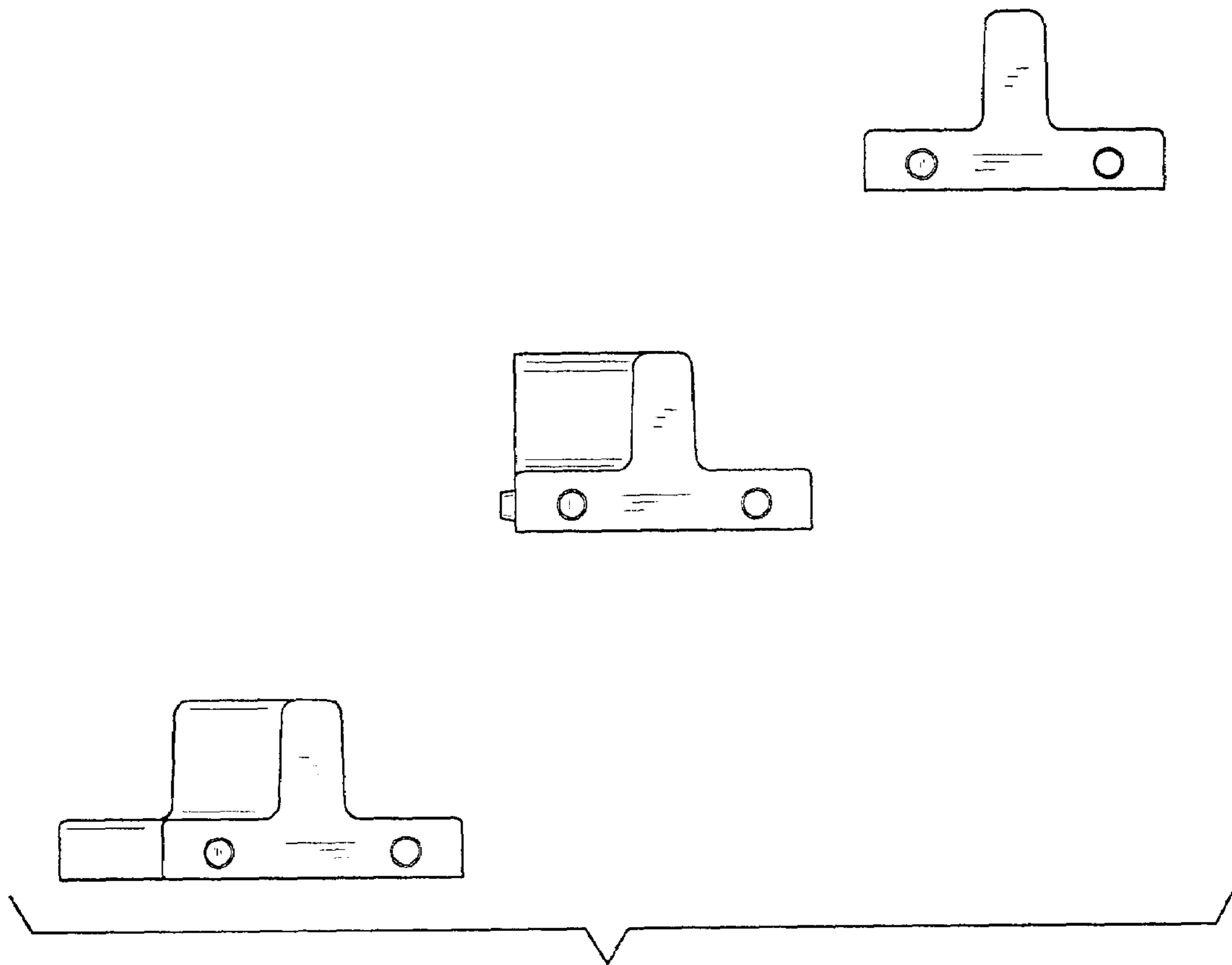


FIG. 4

FIG. 5

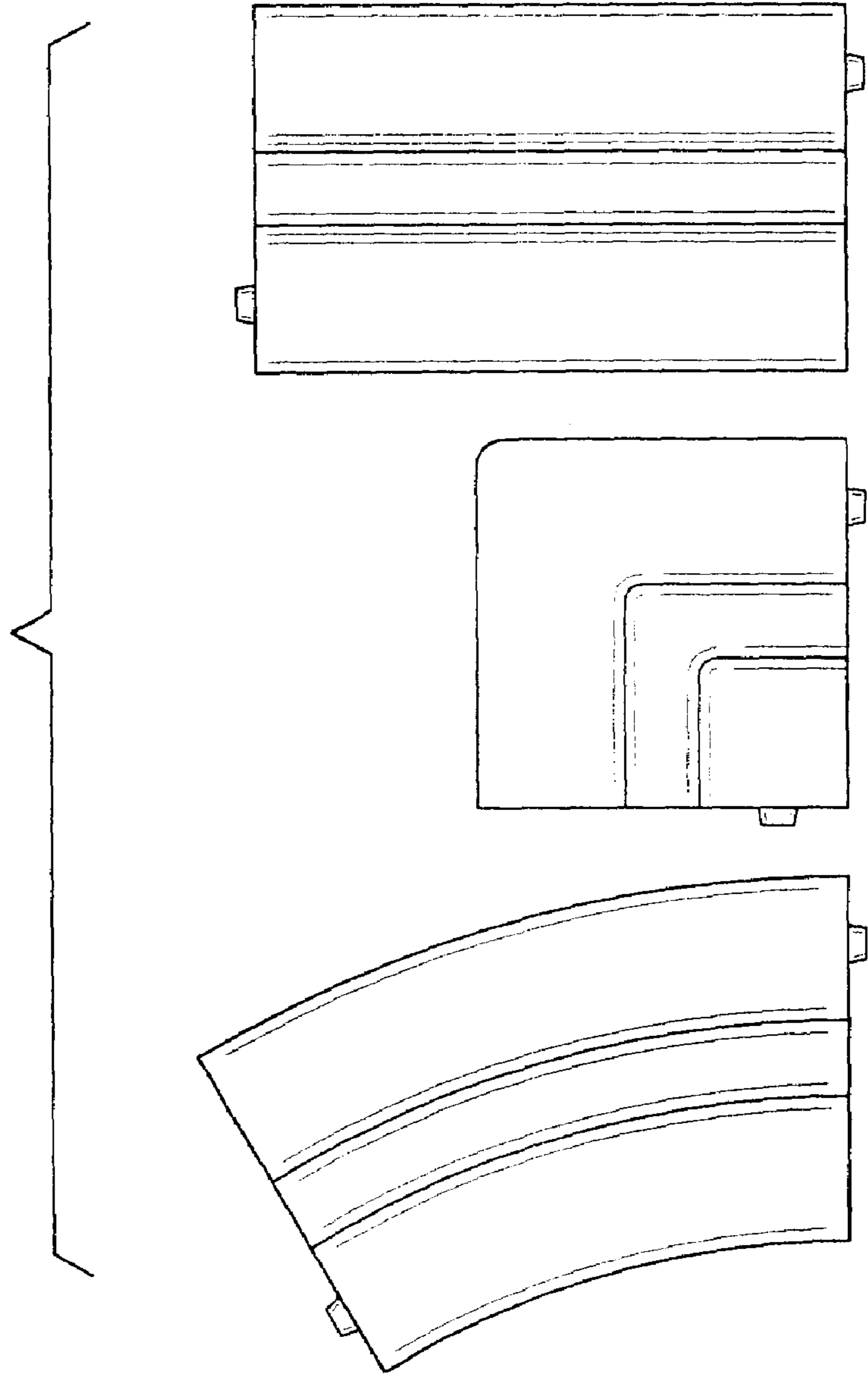
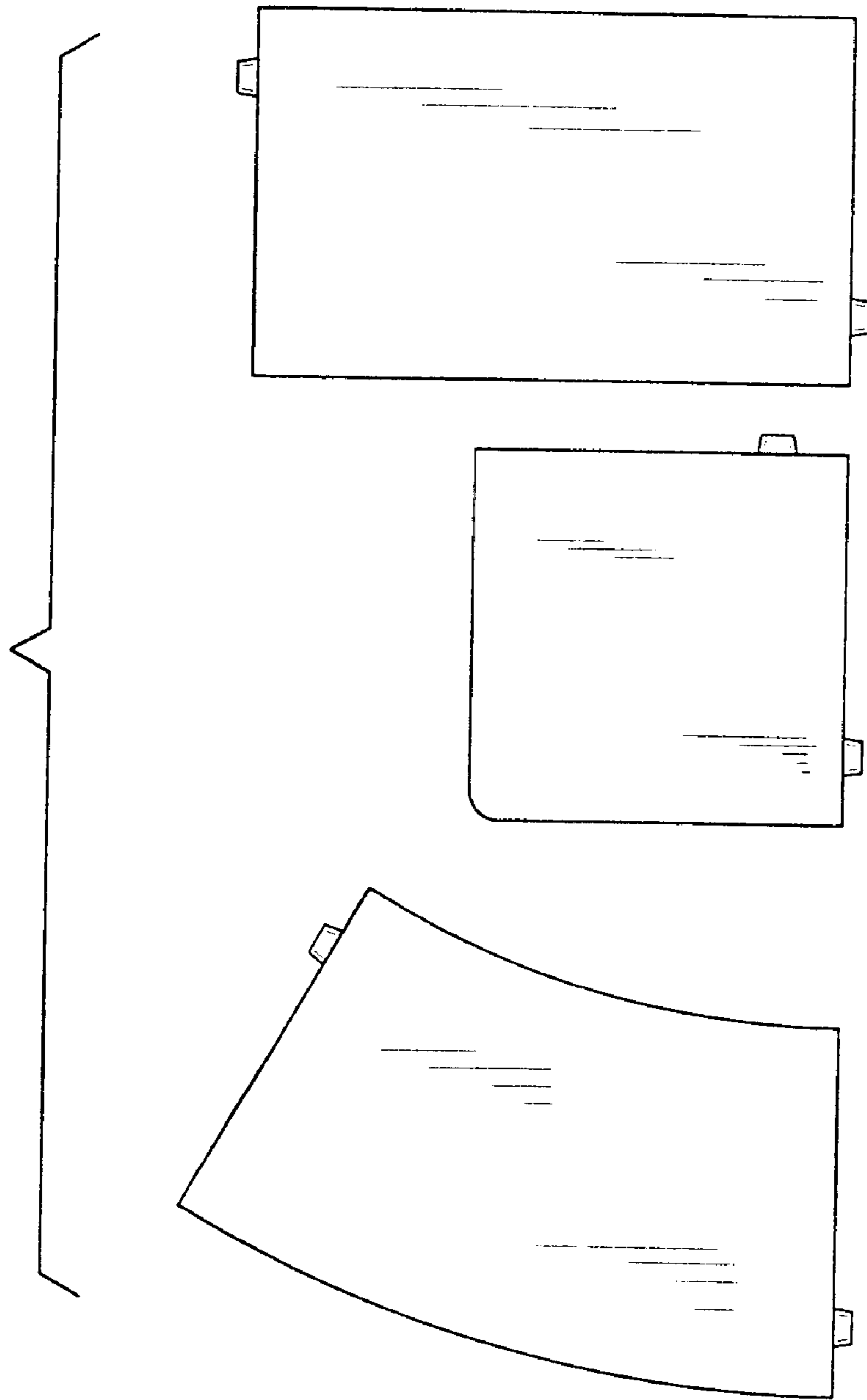


FIG. 6



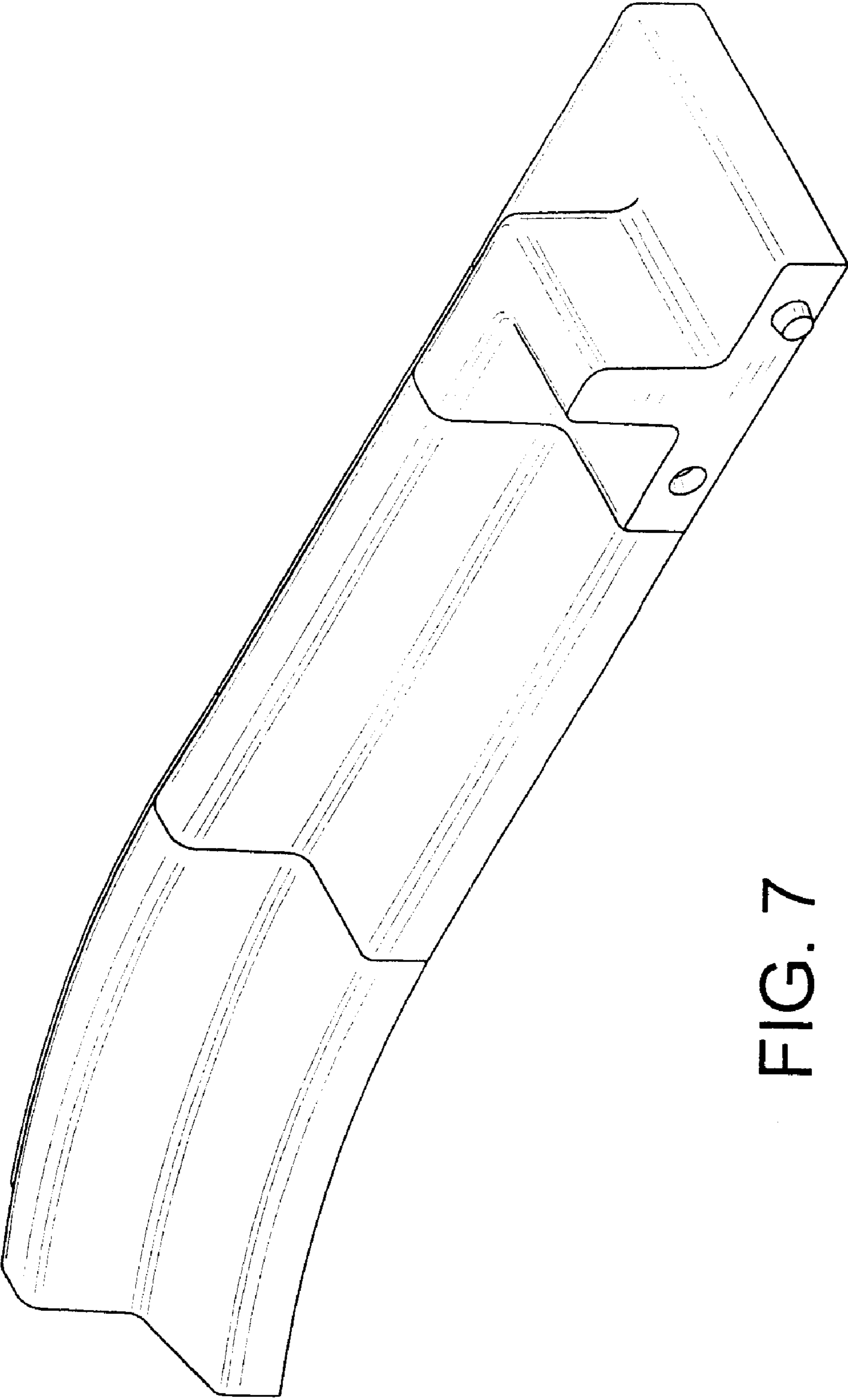


FIG. 7