

US00D571486S

(12) **United States Design Patent**
Miller et al.

(10) **Patent No.:** **US D571,486 S**
(45) **Date of Patent:** **** Jun. 17, 2008**

(54) **MOUNTING BRACKET FOR A COLUMN**

2006/0032184 A1 2/2006 Almeter

(75) Inventors: **Les Miller**, Ligoneir, IN (US); **Dave Miller**, Middlebury, IN (US); **Carl Almeter**, East Amherst, NY (US)

(73) Assignee: **Architectural Composite Technologies, LLC**, Elkhart, IN (US)

(**) Term: **14 Years**

(21) Appl. No.: **29/272,059**

(22) Filed: **Jan. 31, 2007**

(51) **LOC (8) Cl.** **25-01**

(52) **U.S. Cl.** **D25/133**

(58) **Field of Classification Search** D25/133;
52/721.5, 723.2, 146

See application file for complete search history.

(56) **References Cited**

U.S. PATENT DOCUMENTS

D276,556 S	*	11/1984	Haggard	D25/133
D388,193 S	*	12/1997	Villaescusa	D25/133
D392,753 S	*	3/1998	Kohlberger et al.	D25/133
6,098,353 A	*	8/2000	Stanfield	52/170
D513,536 S	*	1/2006	Walker	D25/133

OTHER PUBLICATIONS

Foam Geometrix, Inc., "Innovative Products-Open Minds," <http://foamgeometrix.virtuo.biz/en/> (2007).

AFS, Inc., "Architectural Foam Supply," <http://www.foamsupply.com/products.cfm> (2002).

* cited by examiner

Primary Examiner—Doris Clark

(74) *Attorney, Agent, or Firm*—Barnes & Thornburg LLP

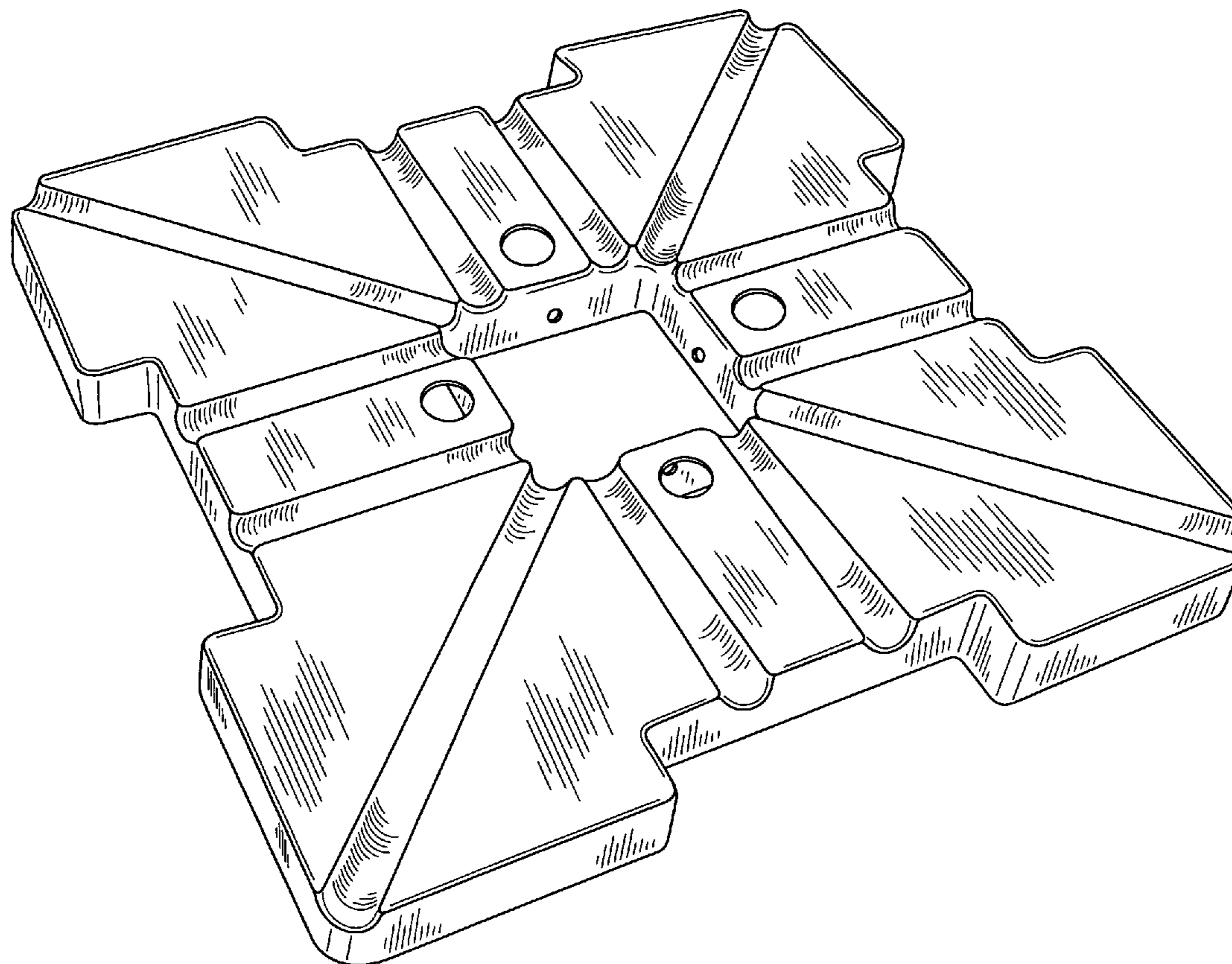
(57) **CLAIM**

The ornamental design for a mounting bracket for a column, as shown and described.

DESCRIPTION

FIG. 1 is a perspective view of the mounting bracket; FIG. 2 is a bottom view of the mounting bracket of FIG. 1; FIG. 3 is a top view of the mounting bracket of FIG. 1; FIG. 4 is a right side view of the mounting bracket of FIG. 1; FIG. 5 is a left side view of the mounting bracket of FIG. 1; FIG. 6 is a front view of the mounting bracket of FIG. 1; and, FIG. 7 is a rear view of the mounting bracket of FIG. 1.

1 Claim, 4 Drawing Sheets



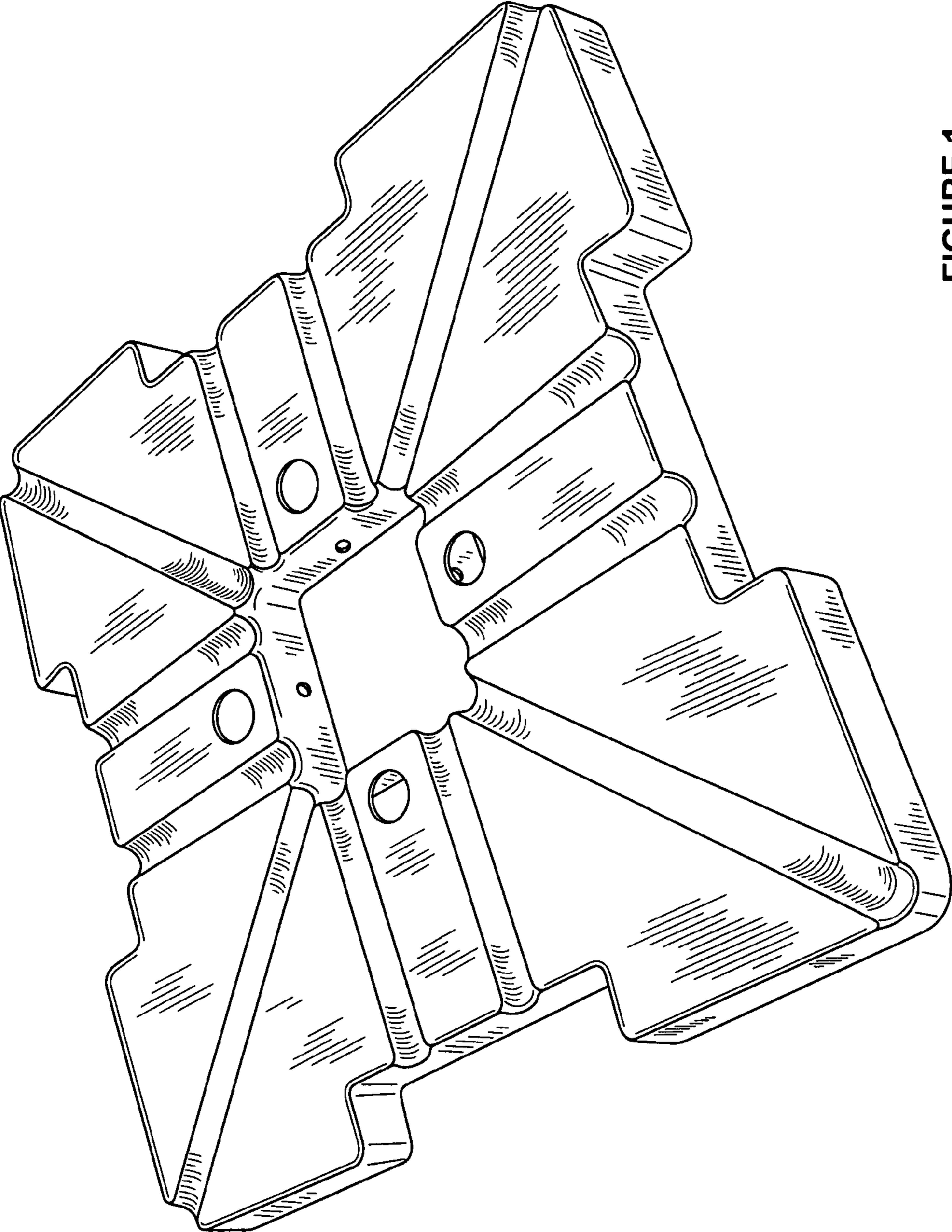


FIGURE 1

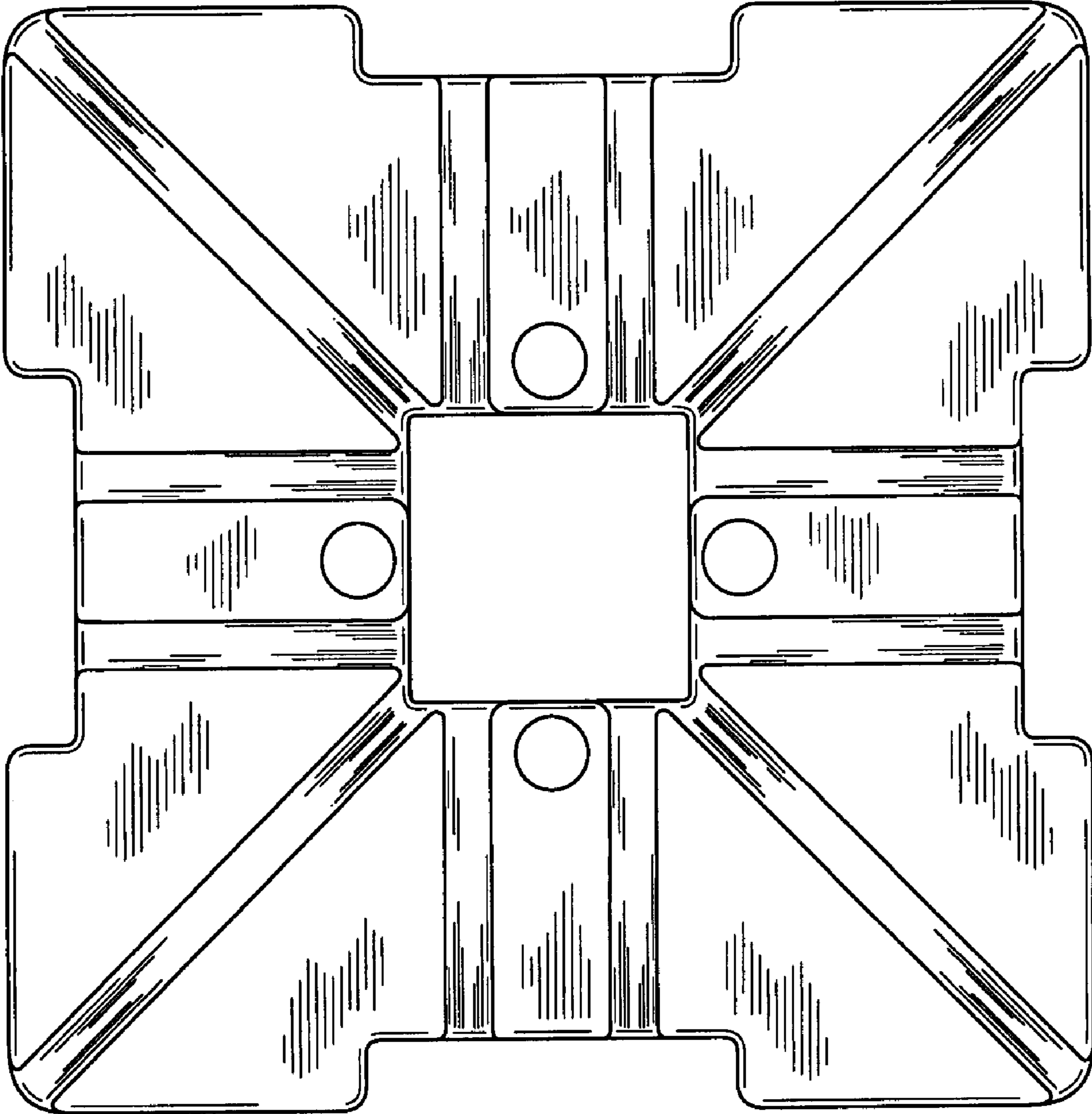


FIGURE 2

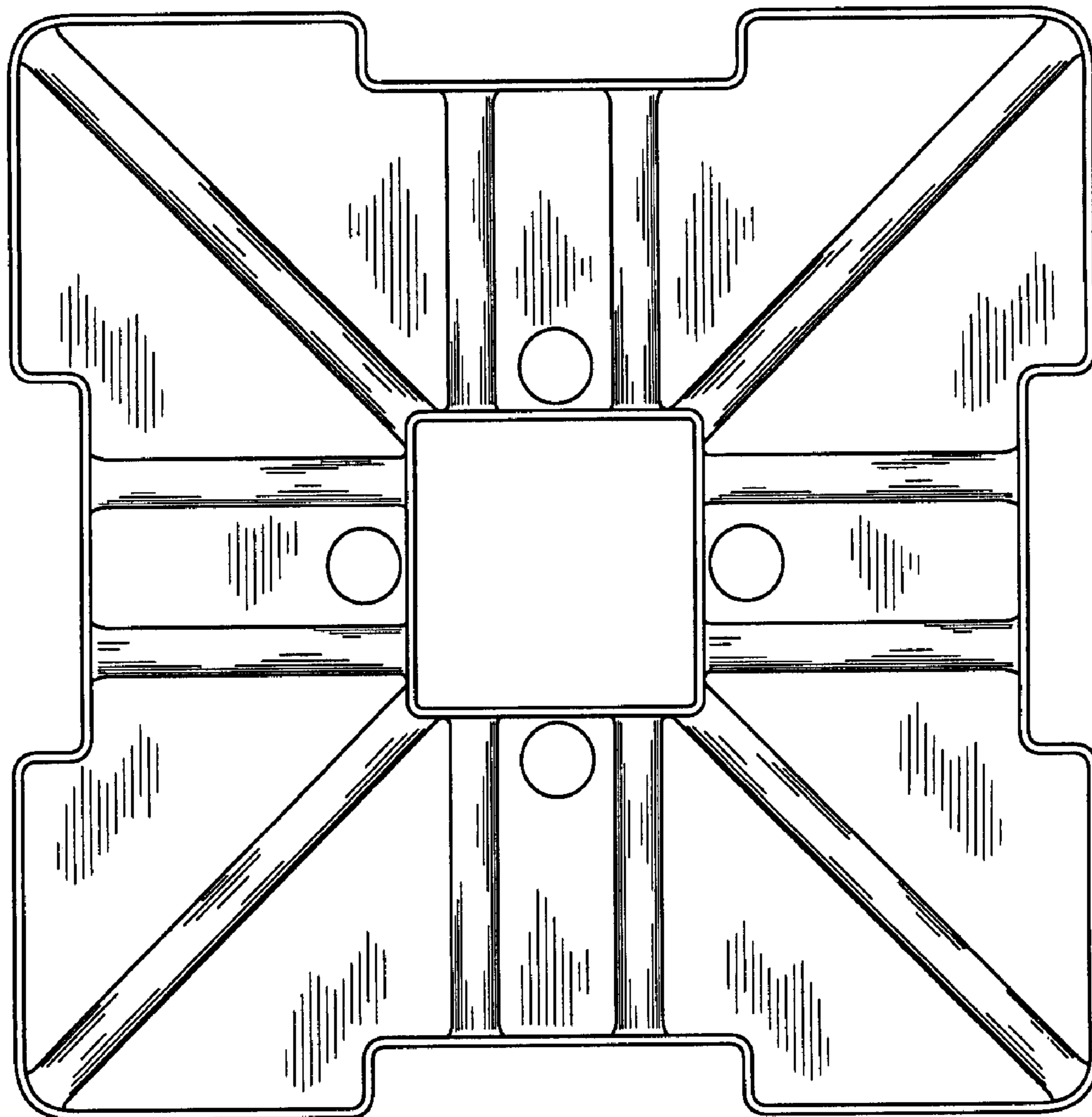


FIGURE 3

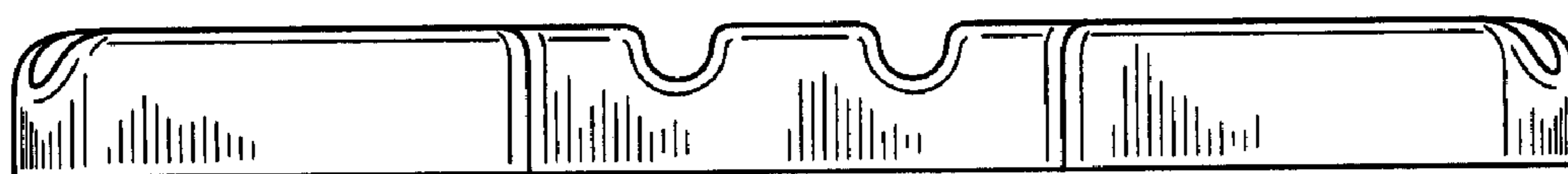


FIGURE 4

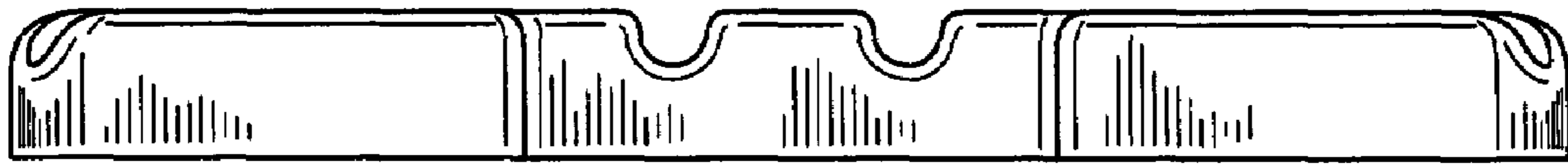


FIGURE 5



FIGURE 6



FIGURE 7