



US00D571481S

(12) **United States Design Patent**  
**Gray**

(10) **Patent No.:** **US D571,481 S**  
(45) **Date of Patent:** **\*\* Jun. 17, 2008**

(54) **POOL/SPA COVER**

(76) Inventor: **Patrick Gray**, 36 Kristen Ct.,  
Adairsville, GA (US) 30103

(\*\*) Term: **14 Years**

(21) Appl. No.: **29/280,159**

(22) Filed: **May 18, 2007**

**Related U.S. Application Data**

(63) Continuation-in-part of application No. 11/749,911,  
filed on May 17, 2007.

(51) **LOC (8) Cl.** ..... **25-03**

(52) **U.S. Cl.** ..... **D25/2**

(58) **Field of Classification Search** ..... D25/2;  
4/506, 498-499, 503; 52/3, 63

See application file for complete search history.

(56) **References Cited**

**U.S. PATENT DOCUMENTS**

2,953,145	A	9/1960	Moss et al.	
2,964,759	A	12/1960	Riggs	
3,118,186	A	1/1964	Moss	
3,423,767	A	1/1969	Crook	
3,448,748	A	6/1969	Walrave	
3,475,768	A	11/1969	Burton	
3,534,412	A	10/1970	Crook	
3,608,099	A	9/1971	Wall	
3,683,427	A *	8/1972	Burkholz et al.	4/499
3,747,131	A	7/1973	Koliomichalis	
3,769,639	A *	11/1973	Bishop	4/498
4,122,562	A *	10/1978	Sorrentino	4/498
4,135,257	A	1/1979	Lof	
RE30,774	E	10/1981	Dahlbeck et al.	
4,685,254	A *	8/1987	Terreri	52/2.26
4,951,327	A	8/1990	Del Gorio, Sr.	
5,371,907	A	12/1994	Horvath	
5,381,634	A	1/1995	Pietrogrande et al.	
5,398,350	A	3/1995	Watkins et al.	
5,450,635	A	9/1995	Coffey	
5,687,432	A	11/1997	Genzel	
5,706,531	A	1/1998	Aubertine	
5,901,503	A *	5/1999	Dalene et al.	52/2.11
6,199,569	B1	3/2001	Gibson	
6,381,767	B1	5/2002	Brashears	

6,408,453	B1	6/2002	Song et al.	
6,442,773	B1 *	9/2002	Kopyar et al.	4/498
6,487,734	B1 *	12/2002	First	4/498
6,807,688	B1	10/2004	Popowski et al.	
D512,514	S *	12/2005	Calvaruso et al.	D25/2
2004/0226591	A1 *	11/2004	You	135/25.1
2005/0072055	A1 *	4/2005	Martin	52/3

**FOREIGN PATENT DOCUMENTS**

CA	2460752	A1	9/2005
DE	202006008152	U	9/2006
WO	WO2002/042579		5/2002

**OTHER PUBLICATIONS**

U.S. Appl. No. 11/749,911, filed May 17, 2007, Gray, Patrick.

\* cited by examiner

*Primary Examiner*—Louis S Zarfaz

*Assistant Examiner*—Kathleen M Sims

(74) *Attorney, Agent, or Firm*—Williamson Intellectual  
Property Law LLC; Thomas R. Williamson, III

(57) **CLAIM**

The ornamental design for a pool/spa cover, as shown and  
described.

**DESCRIPTION**

The present invention relates generally to pool/spa covers,  
and more specifically, to a pool/spa cover having a generally  
domed shape when used as a cover.

FIG. 1 is a front view of a pool/spa cover showing my new  
design;

FIG. 2 is a rear view thereof;

FIG. 3 is a left side view thereof;

FIG. 4 is a right side view thereof;

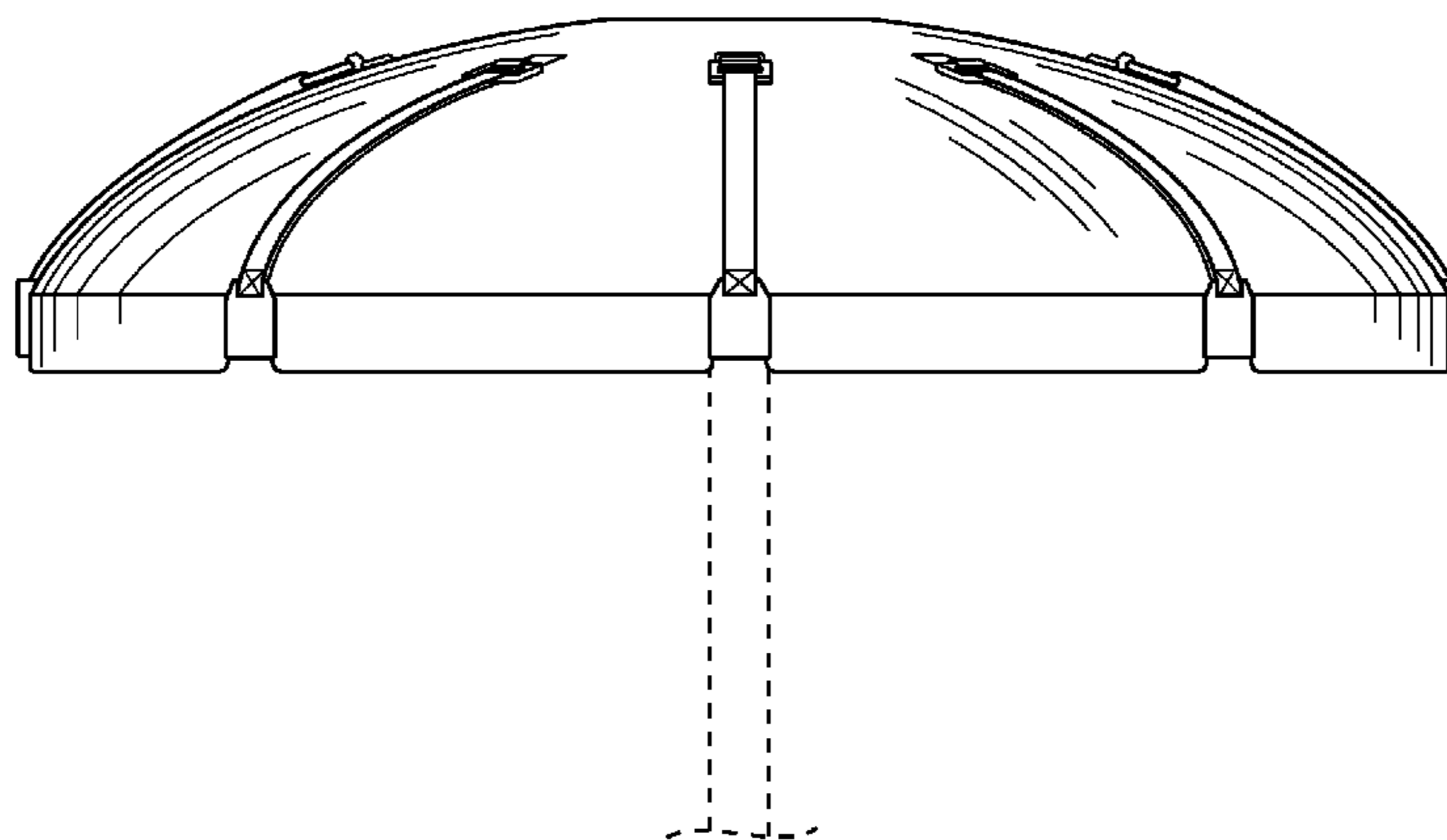
FIG. 5 is a bottom view thereof;

FIG. 6 is a top view thereof; and,

FIG. 7 is a perspective view thereof, shown as an umbrella.

The broken line showing of the central pole in FIGS. 1-4 and  
7 is included for the purpose of illustrating portions of the  
pool/spa cover and forms no part of the claimed design.

**1 Claim, 7 Drawing Sheets**



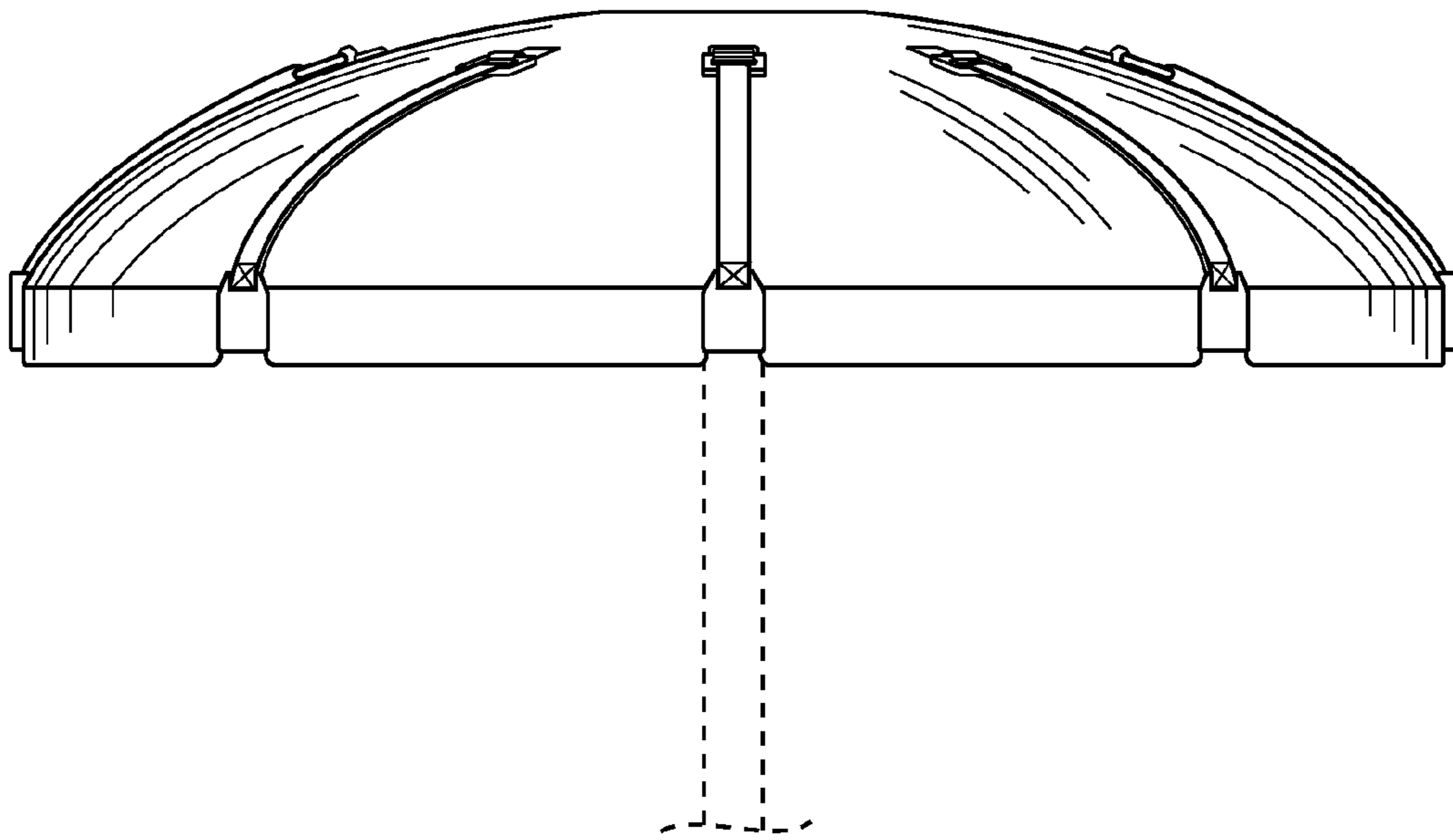


FIG. 1

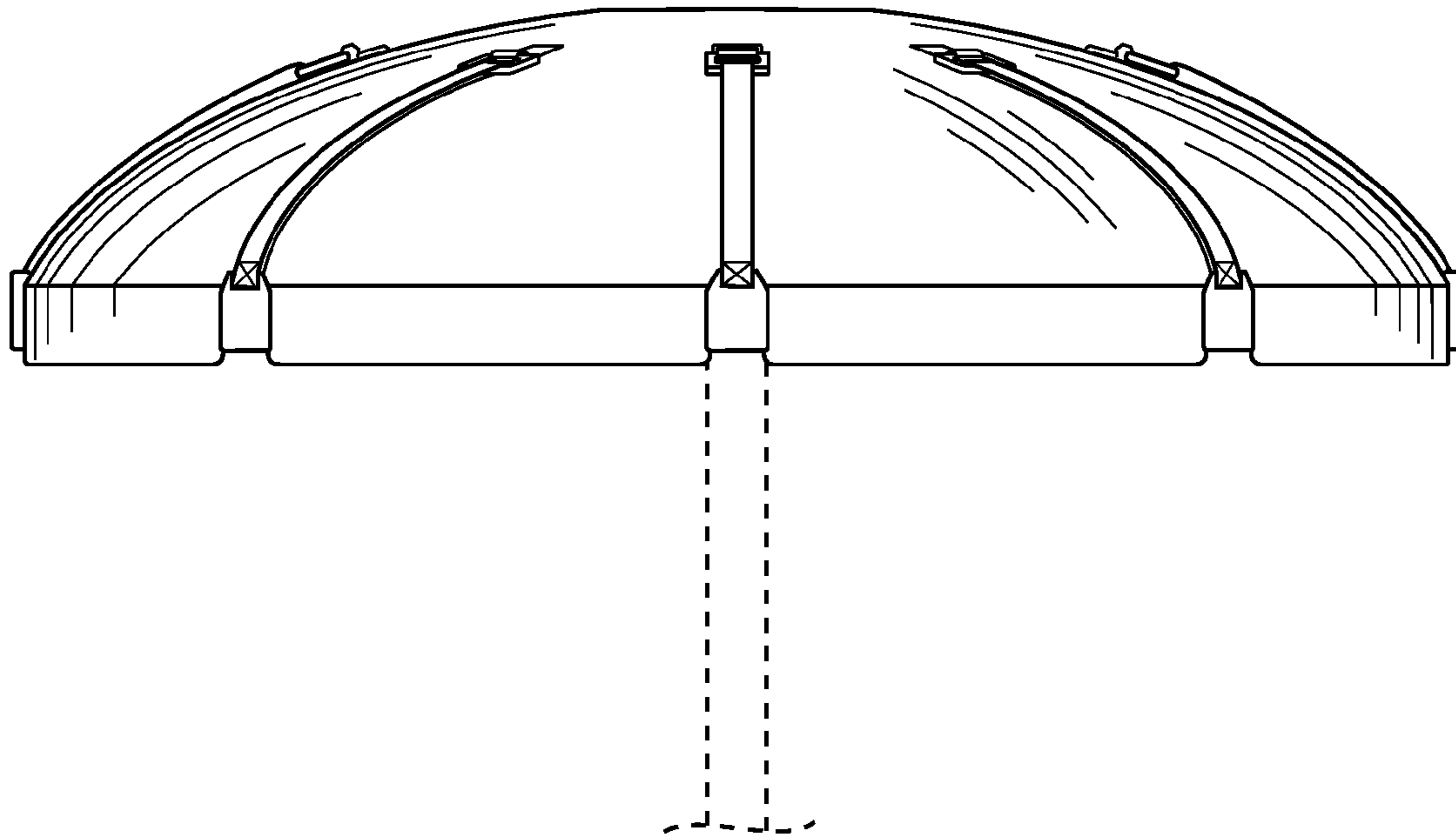


FIG. 2

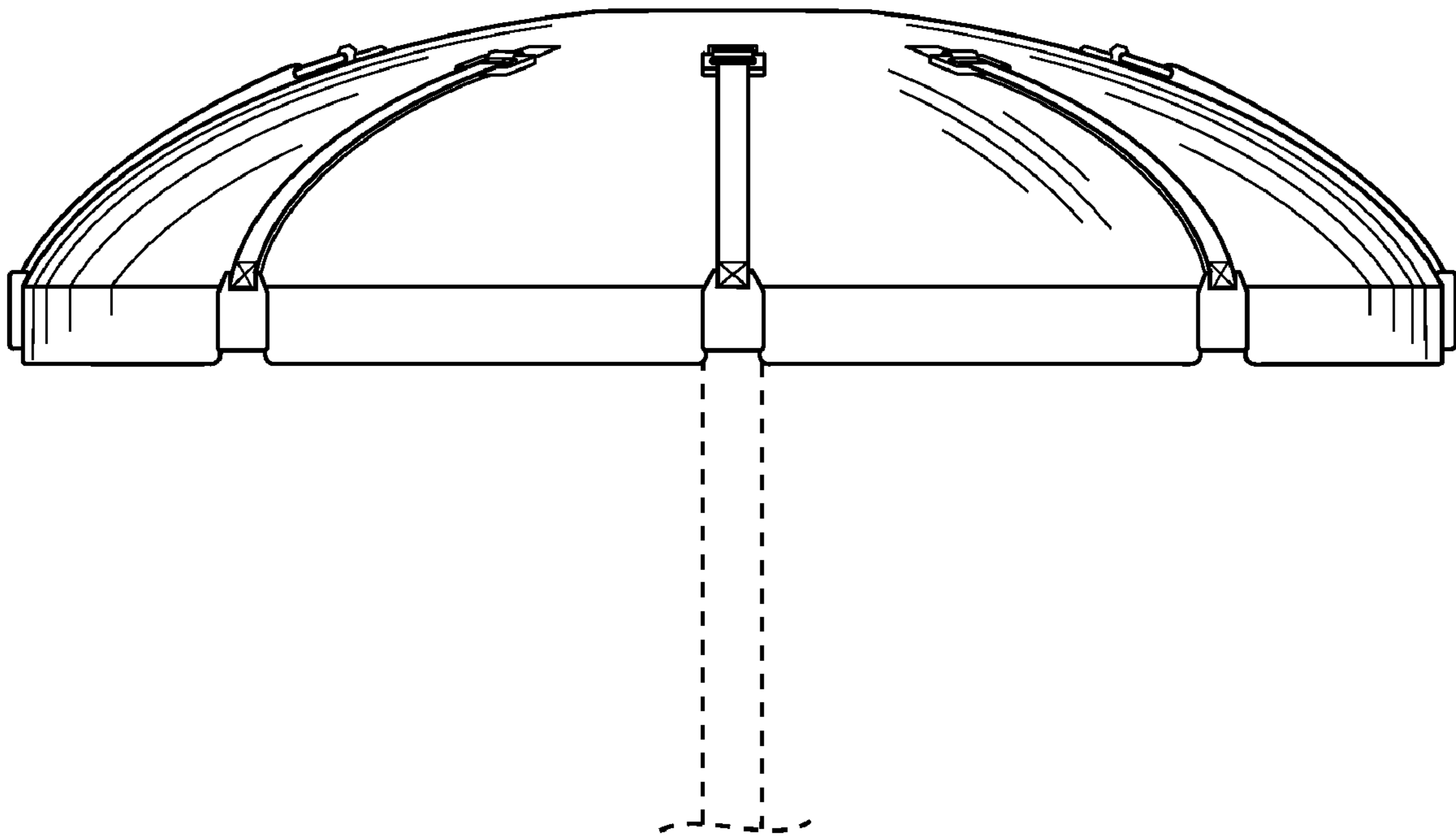


FIG. 3

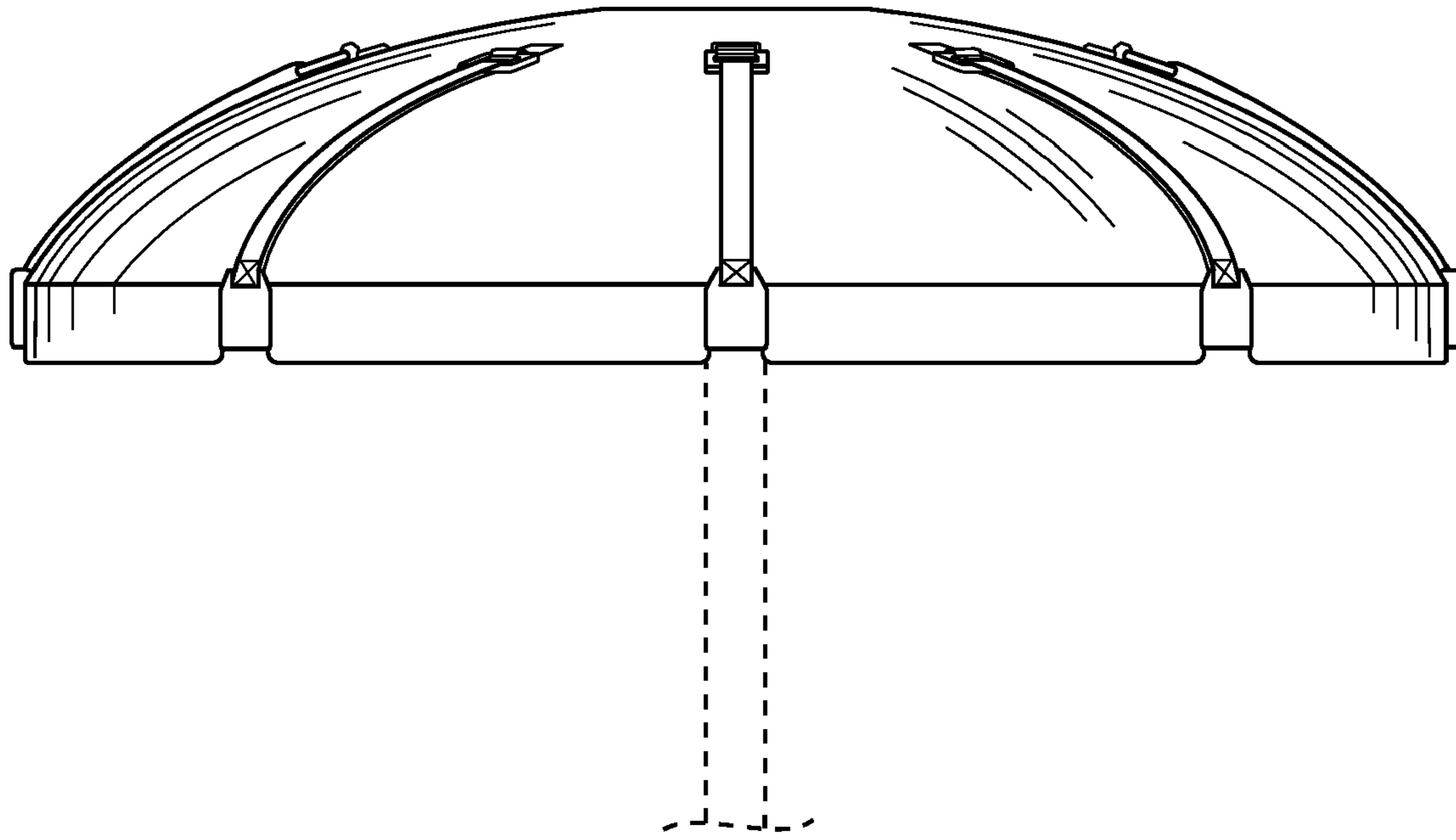


FIG. 4

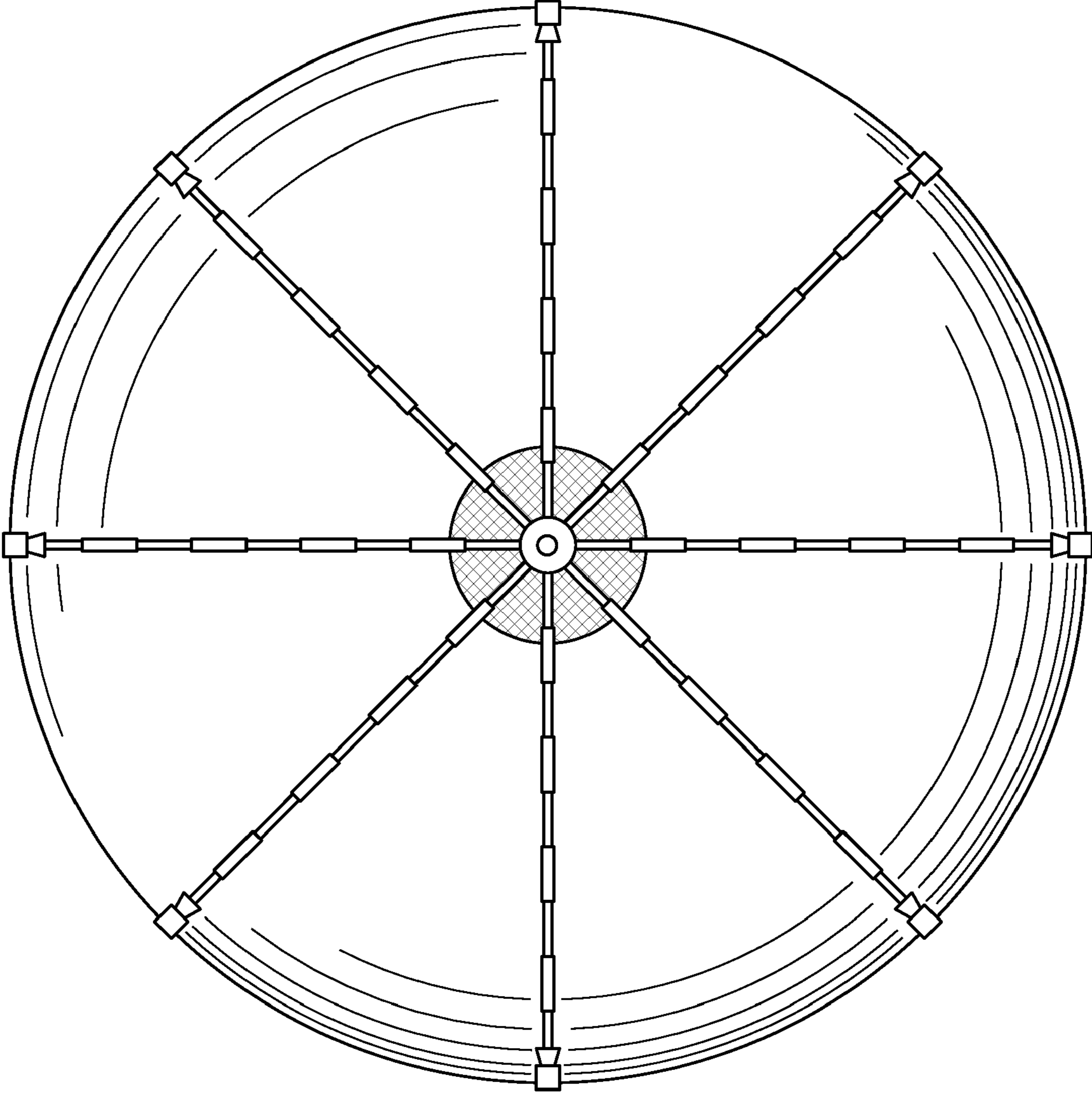


FIG. 5

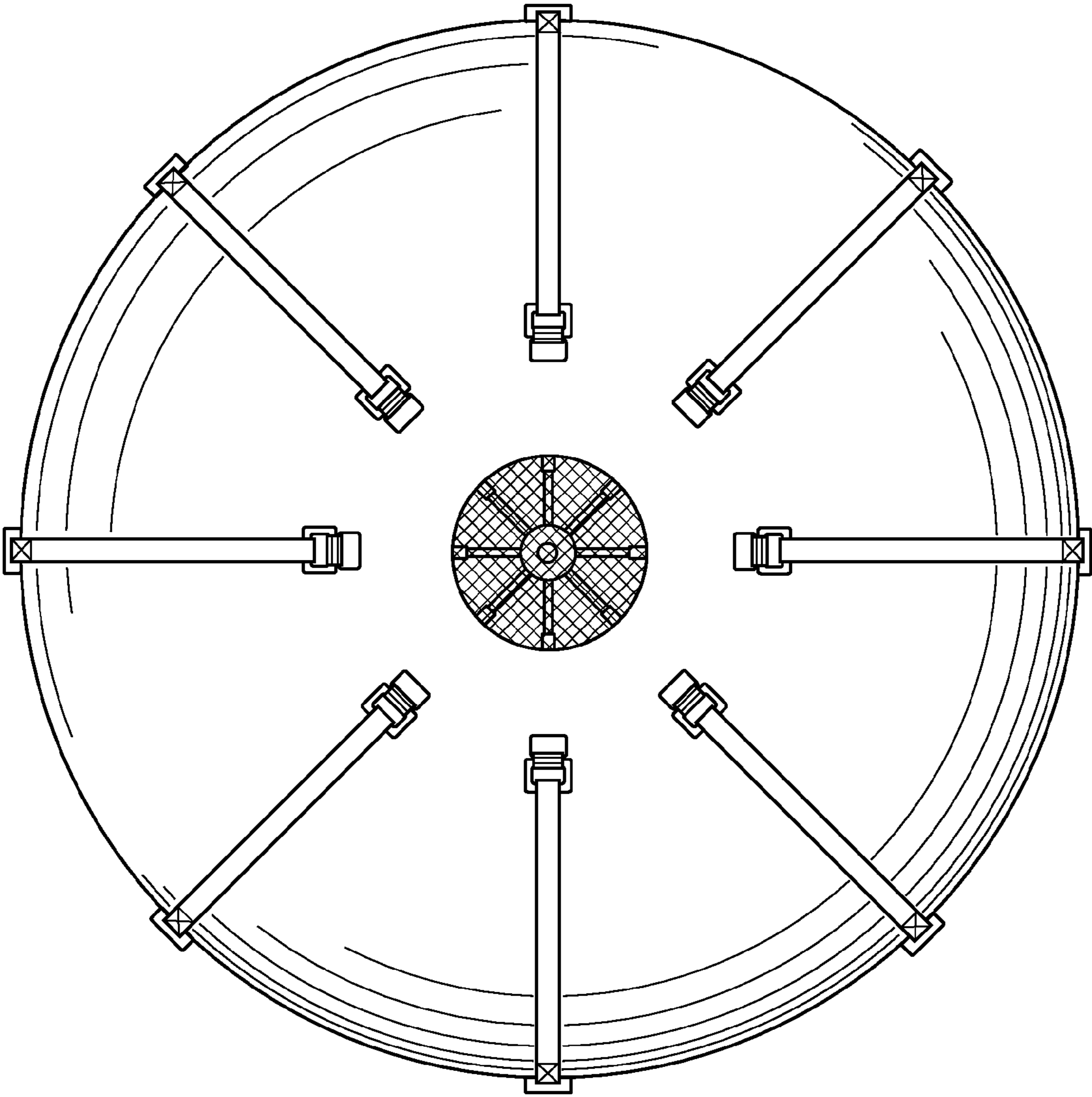


FIG. 6

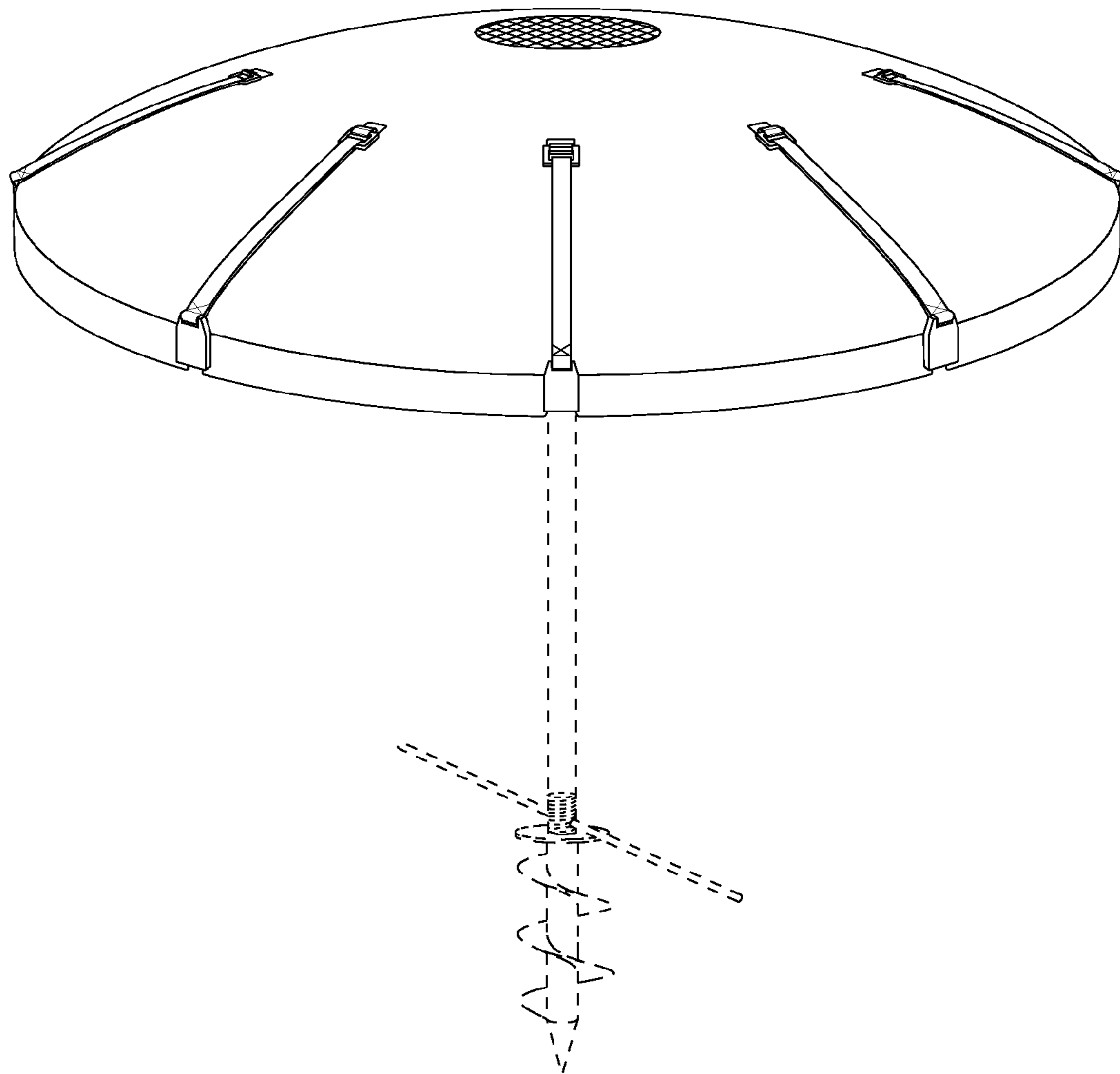


FIG. 7