

US00D571480S

(12) **United States Design Patent**
Beck et al.

(10) **Patent No.:** **US D571,480 S**
(45) **Date of Patent:** **** Jun. 17, 2008**

(54) **INSTRUMENT HOUSING**

D560,131 S * 1/2008 Hu D24/186

(75) Inventors: **David P. Beck**, Crystal Lake, IL (US);
Jesse C. Darley, Madison, WI (US)

* cited by examiner

Primary Examiner—Robert A. Delehanty
Assistant Examiner—Mark Cavanna

(73) Assignee: **Abbott Laboratories**, Abbott Park, IL (US)

(57) **CLAIM**

(**) Term: **14 Years**

The ornamental design for instrument housing, as shown and described.

(21) Appl. No.: **29/292,000**

(22) Filed: **Sep. 25, 2007**

DESCRIPTION

(51) **LOC (8) Cl.** **24-02**

FIG. 1 is a perspective view of an instrument housing showing our new design:

(52) **U.S. Cl.** **D24/232**

FIG. 2 is a front view thereof;

(58) **Field of Classification Search** D24/169,
D24/186, 231–233; D10/81; D13/162; 422/99–100,
422/62–63, 67, 68.1, 69.1, 89

FIG. 3 is a top view thereof;

FIG. 4 is a side view thereof;

See application file for complete search history.

FIG. 5 is a perspective view of the hood piece of the instrument housing of FIG. 1 shown separately for clarity of illustration;

(56) **References Cited**

FIG. 6 is a front view thereof;

U.S. PATENT DOCUMENTS

FIG. 7 is a right side view thereof;

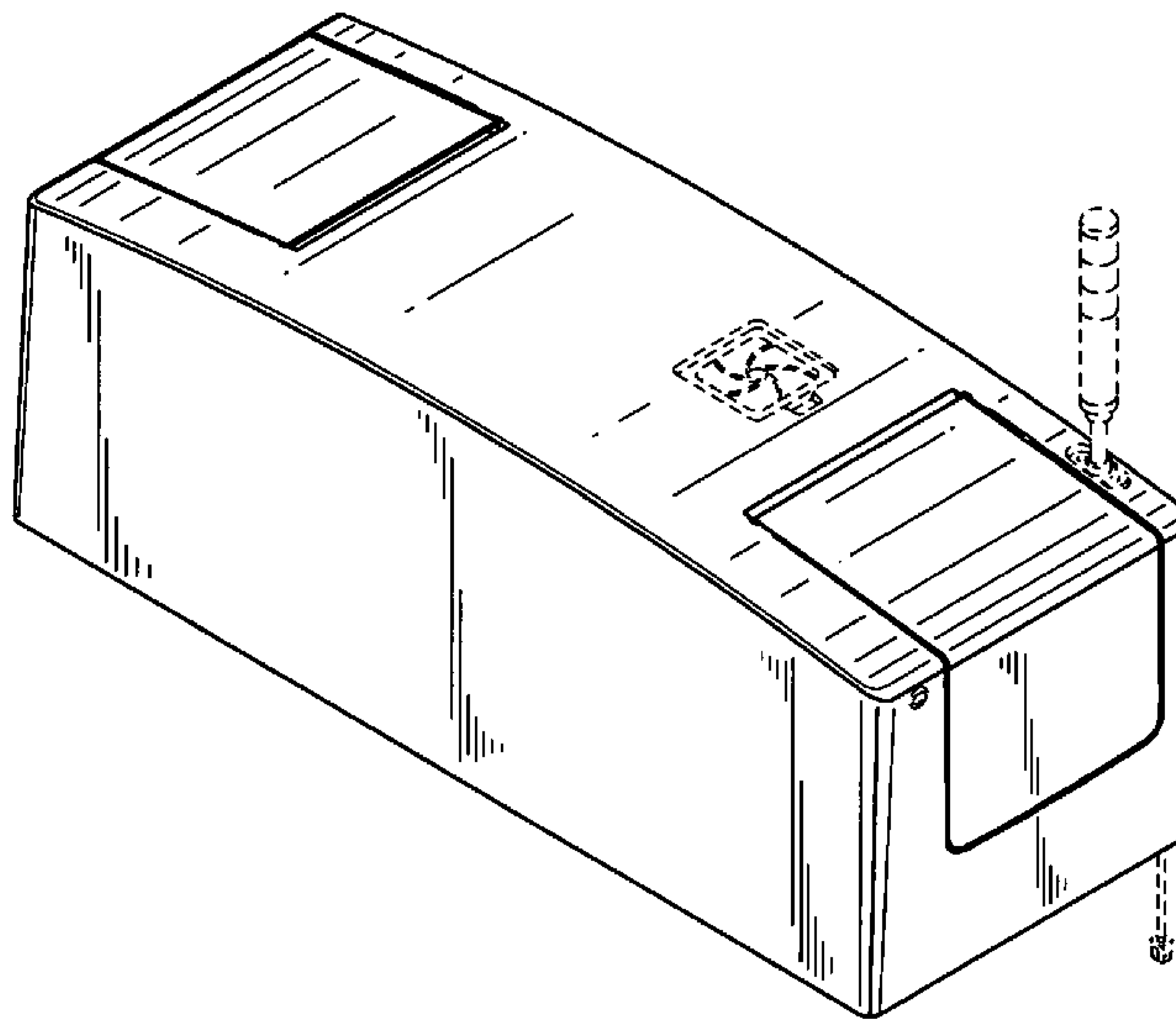
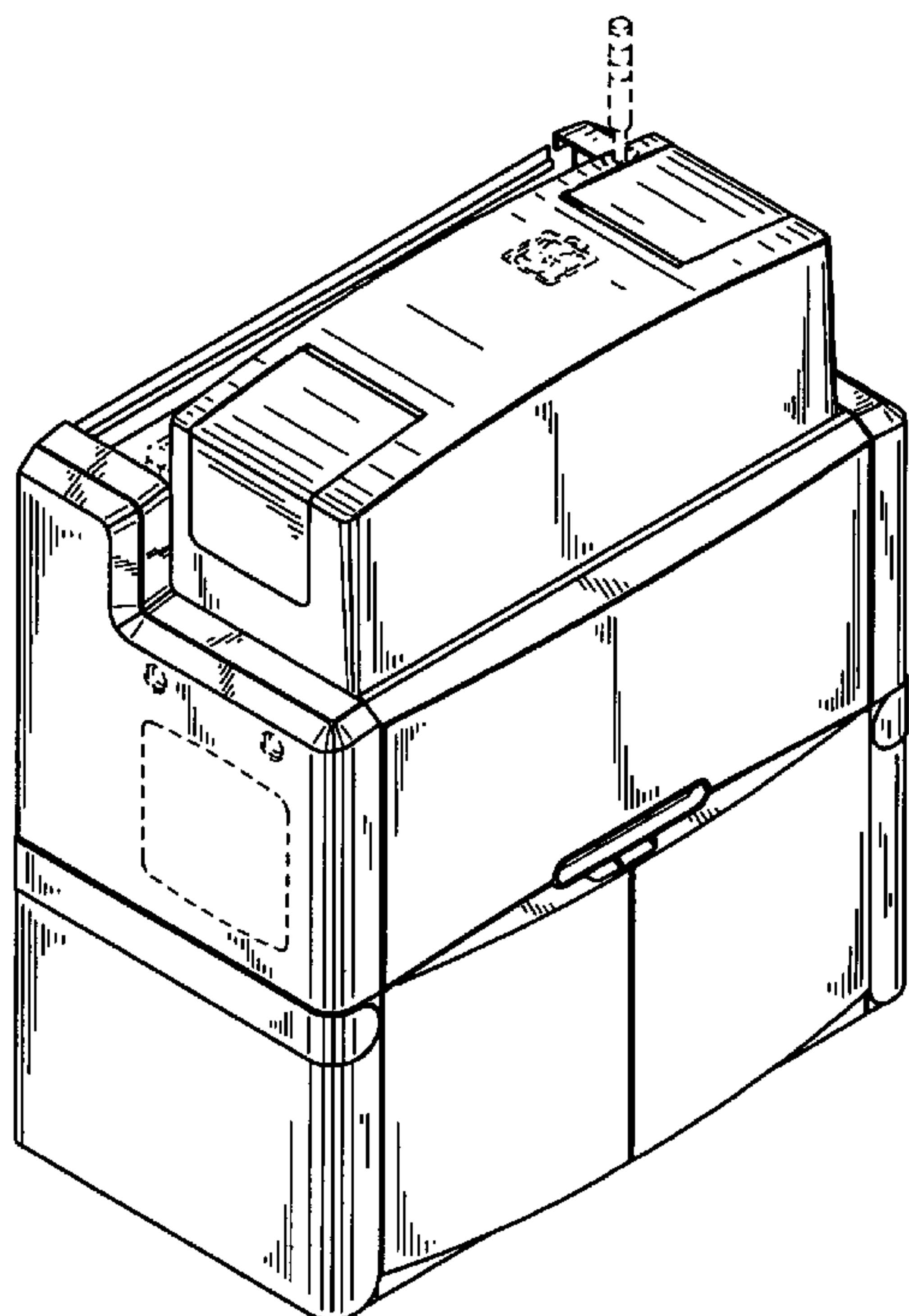
D338,419 S *	8/1993	Frenkel et al.	D10/81
D467,349 S *	12/2002	Niedbala et al.	D24/231
D471,642 S *	3/2003	Alden et al.	D24/232
D474,279 S *	5/2003	Mayer et al.	D24/231
D508,999 S *	8/2005	Fanning et al.	D24/216
D523,153 S *	6/2006	Akashi et al.	D24/232
D527,464 S *	8/2006	Ina et al.	D24/216
D535,403 S *	1/2007	Isozaki et al.	D24/232
D549,827 S *	8/2007	Maeno et al.	D24/169
D554,070 S *	10/2007	Bolotin et al.	D13/162
D556,914 S *	12/2007	Okamoto et al.	D24/233

FIG. 8 is a left side view thereof; and,

FIG. 9 is a top view thereof.

The broken line showing of a signal tower, an intake filter and a side window in FIG. 1; a fan in FIG. 3; and a cord and light switch in FIG. 5 are included for the purpose of illustration only and form no part of the claimed design.

1 Claim, 6 Drawing Sheets



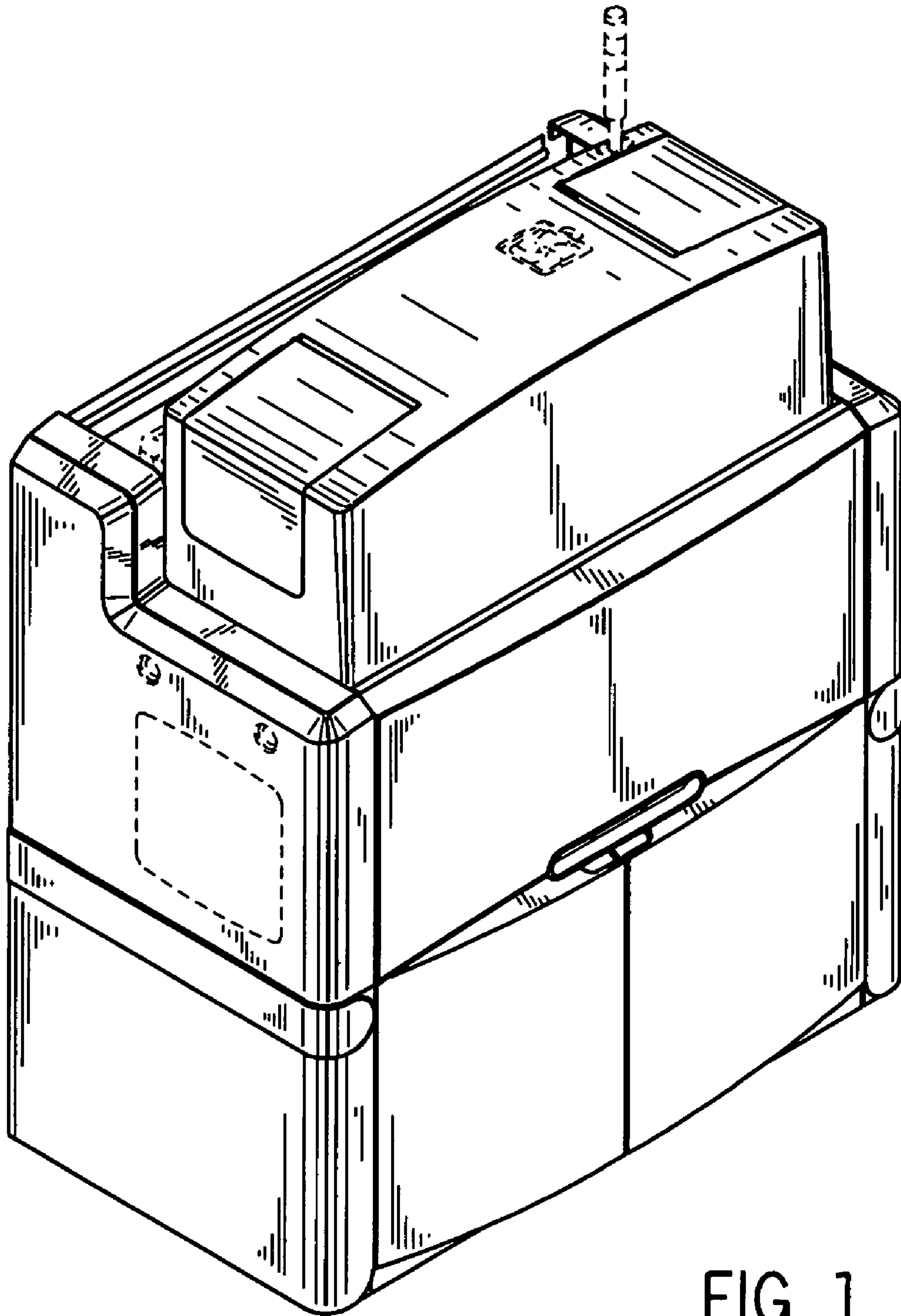


FIG. 1

FIG. 2

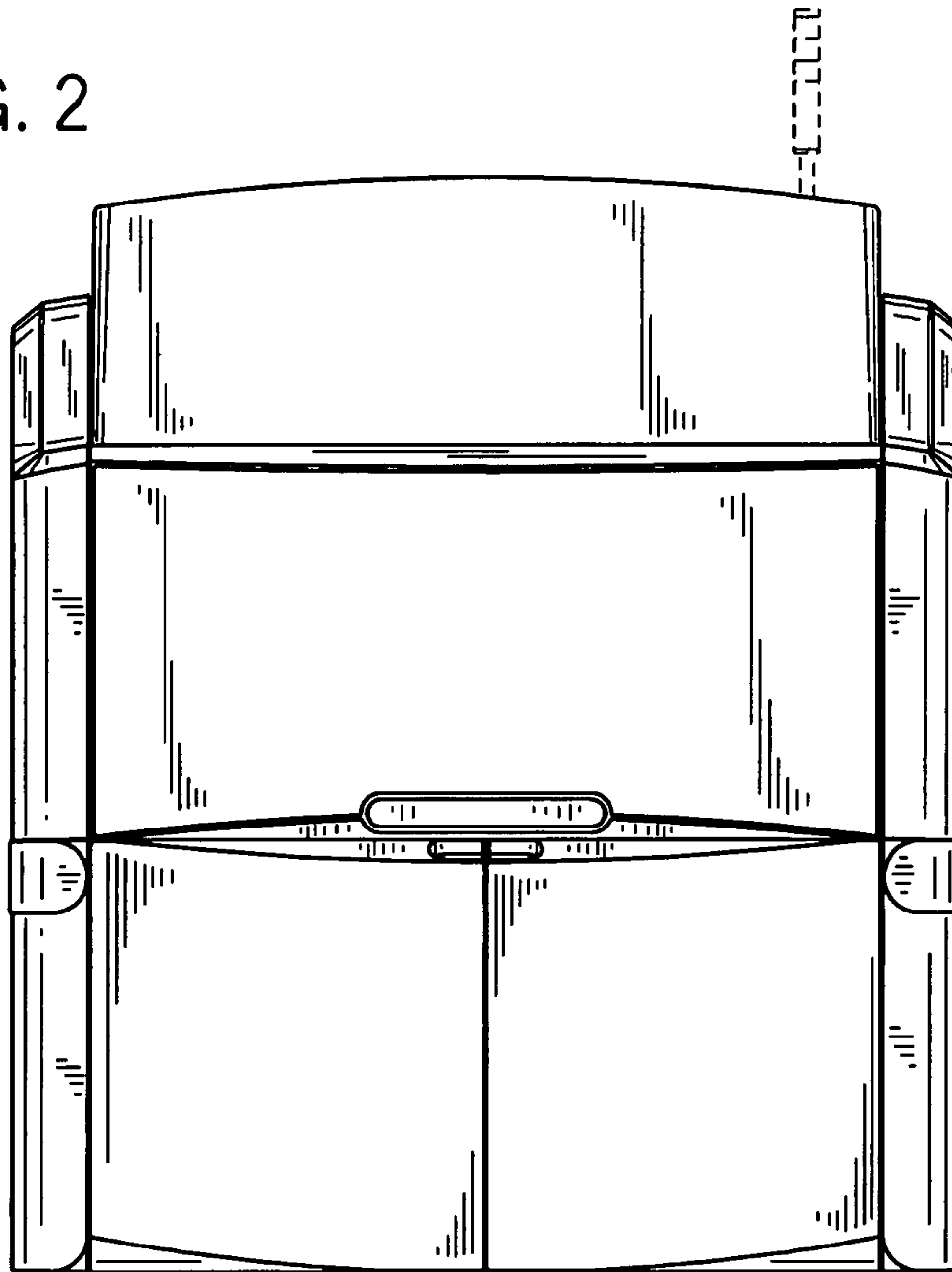


FIG. 3

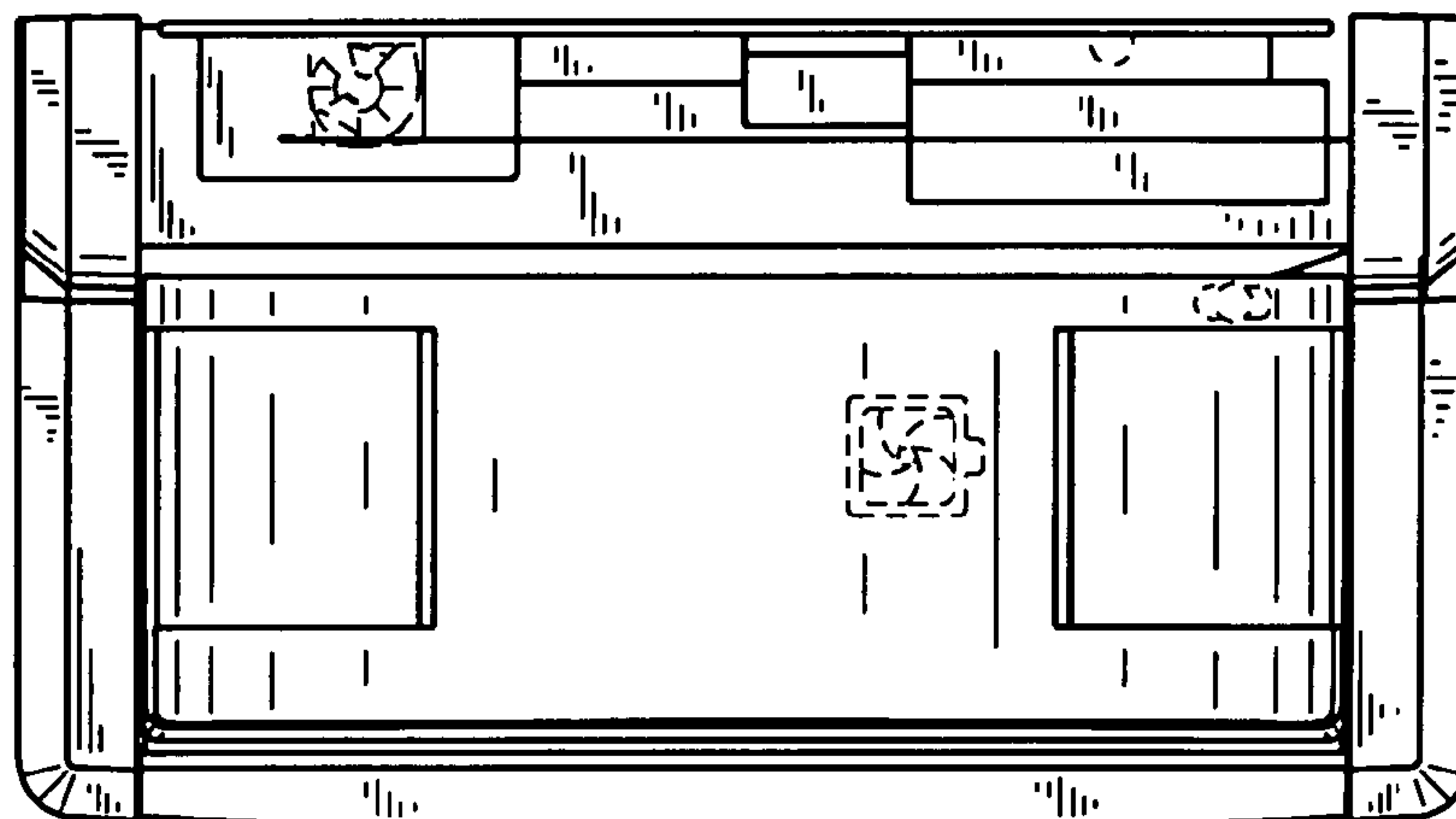
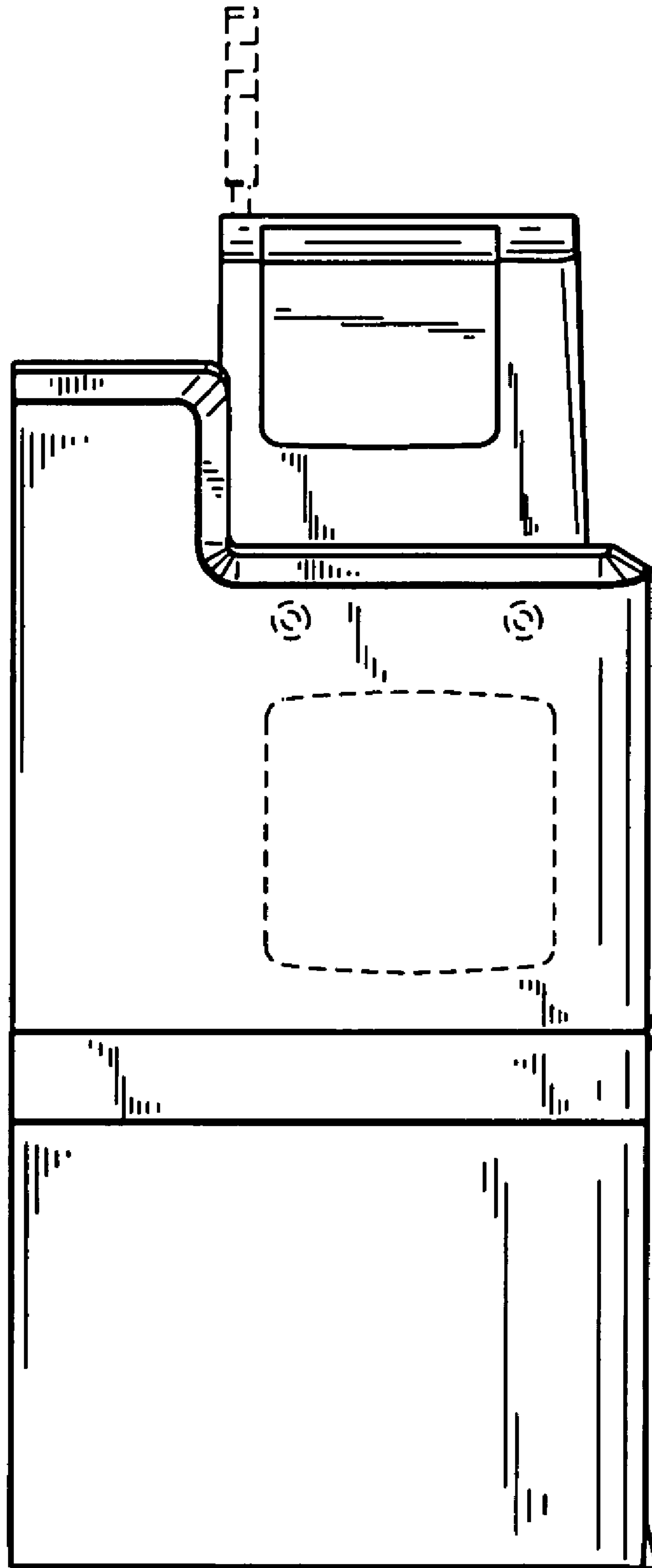


FIG. 4



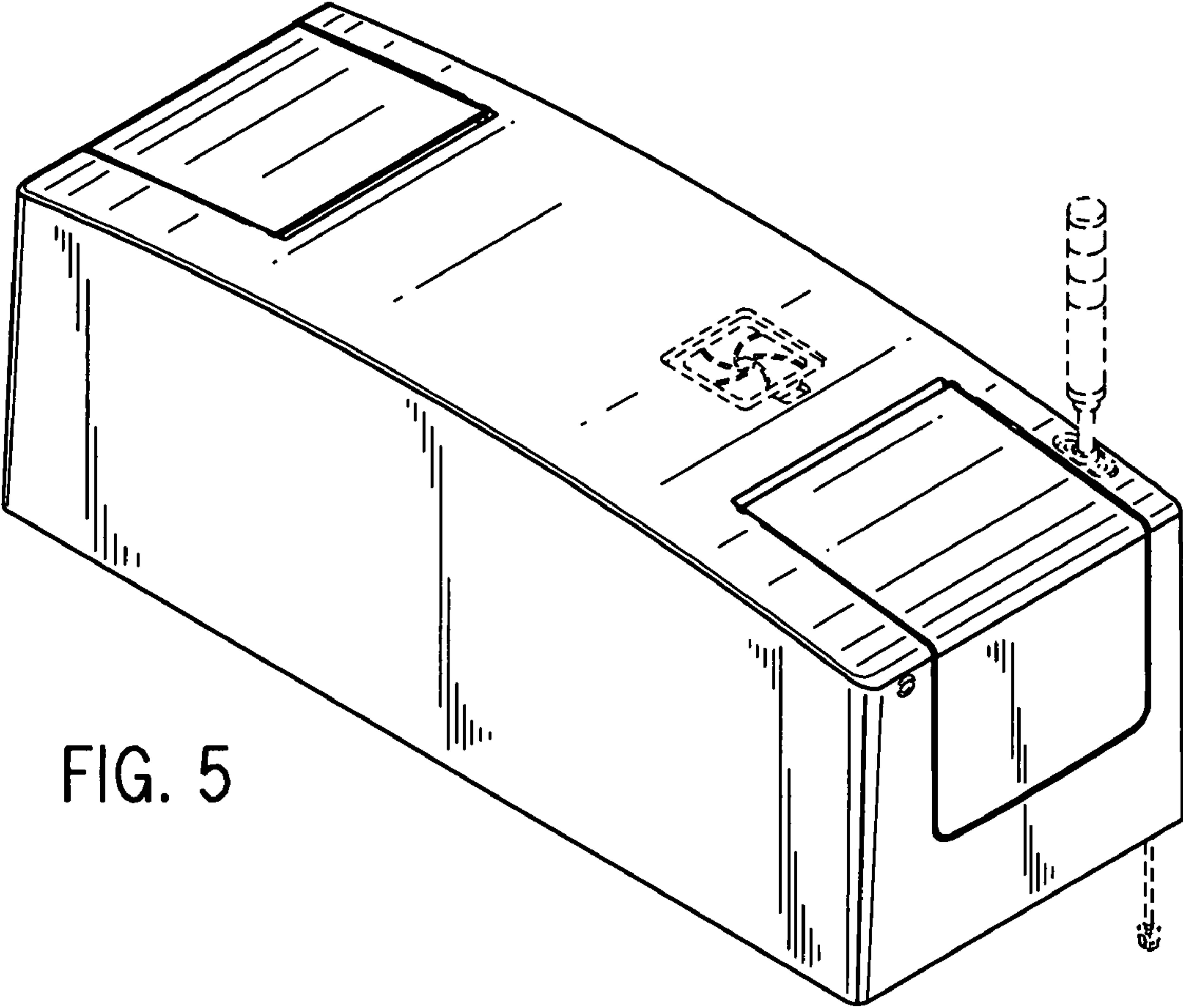


FIG. 5

FIG. 6

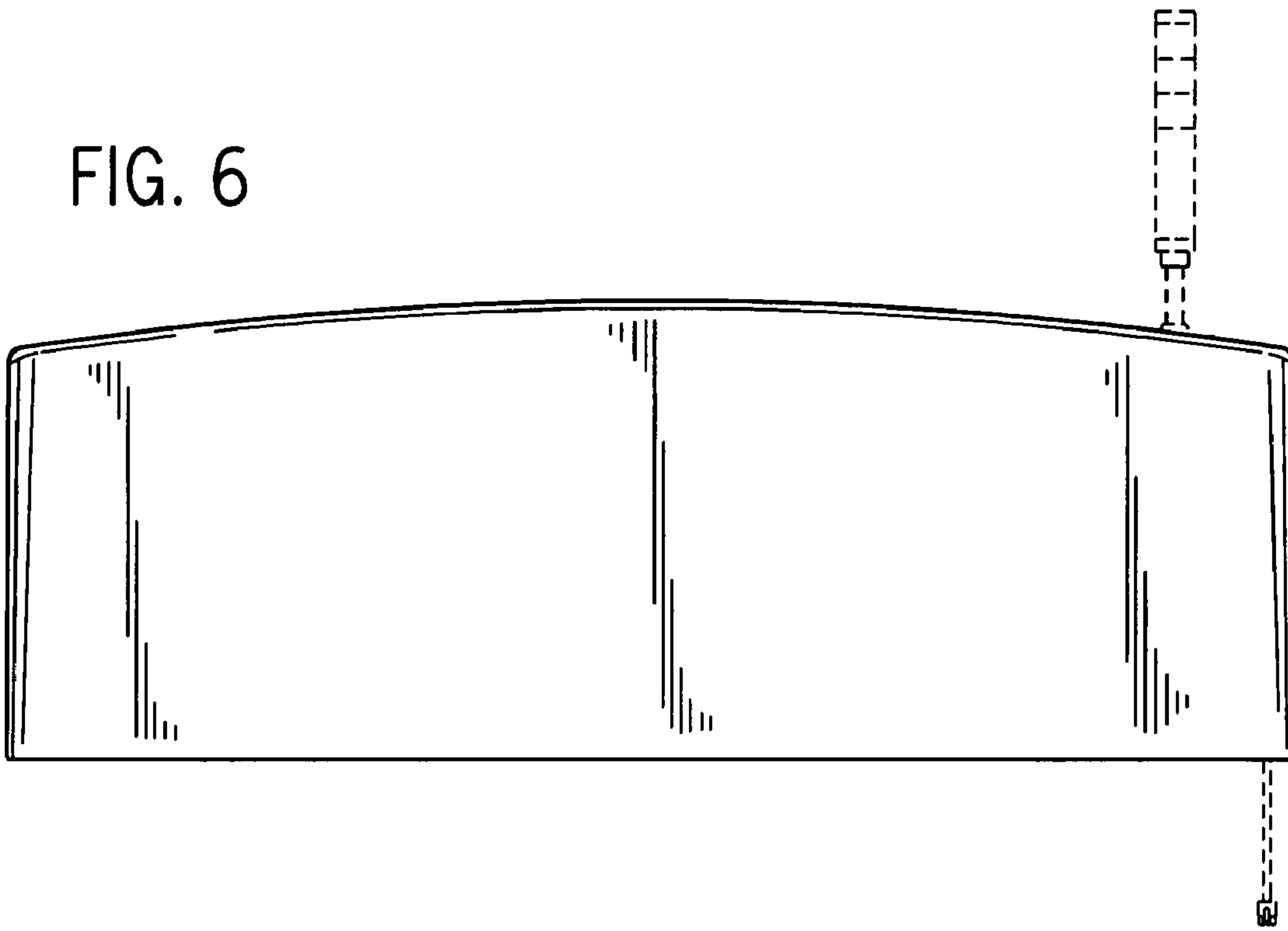
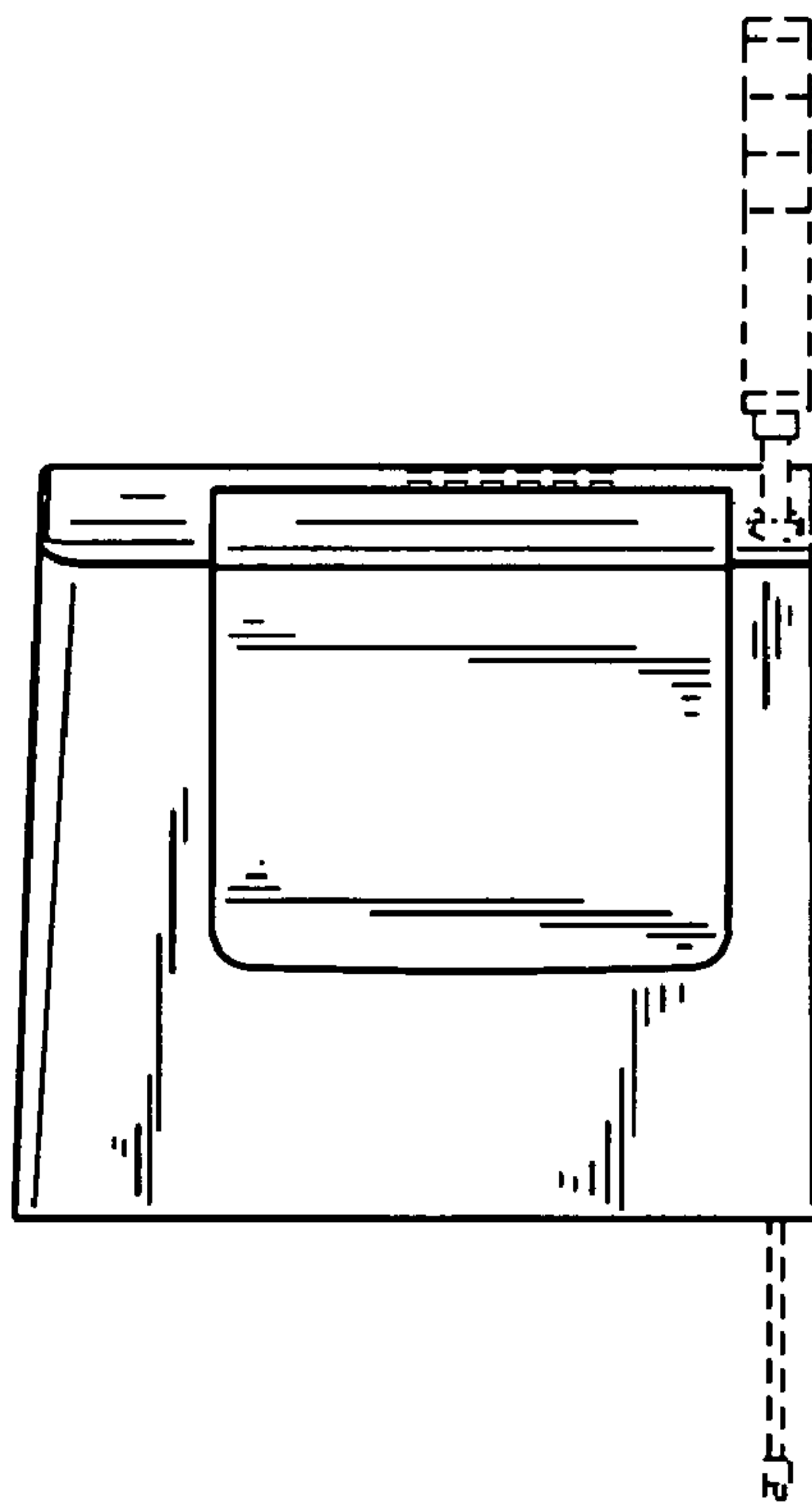


FIG. 7



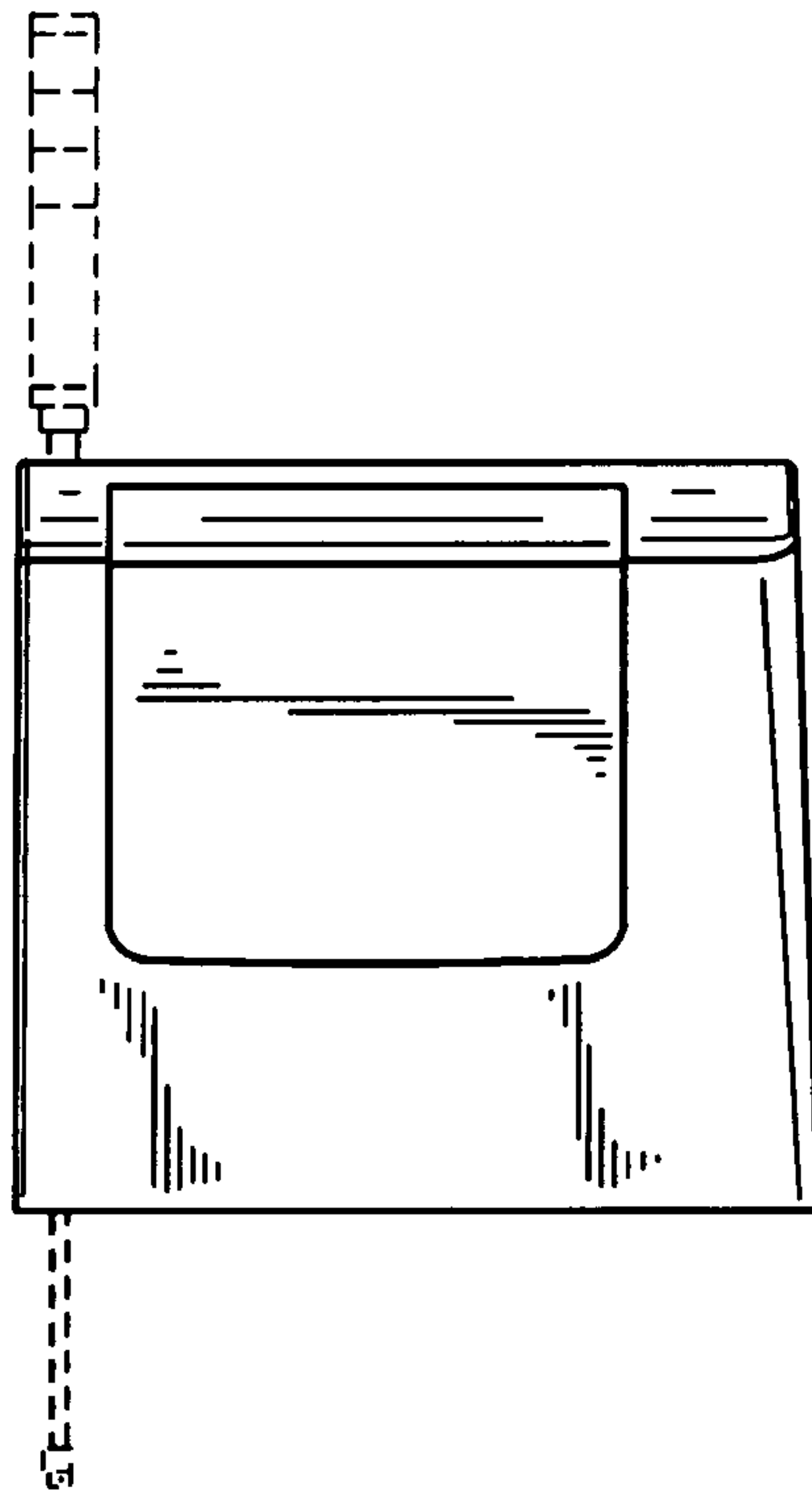


FIG. 8

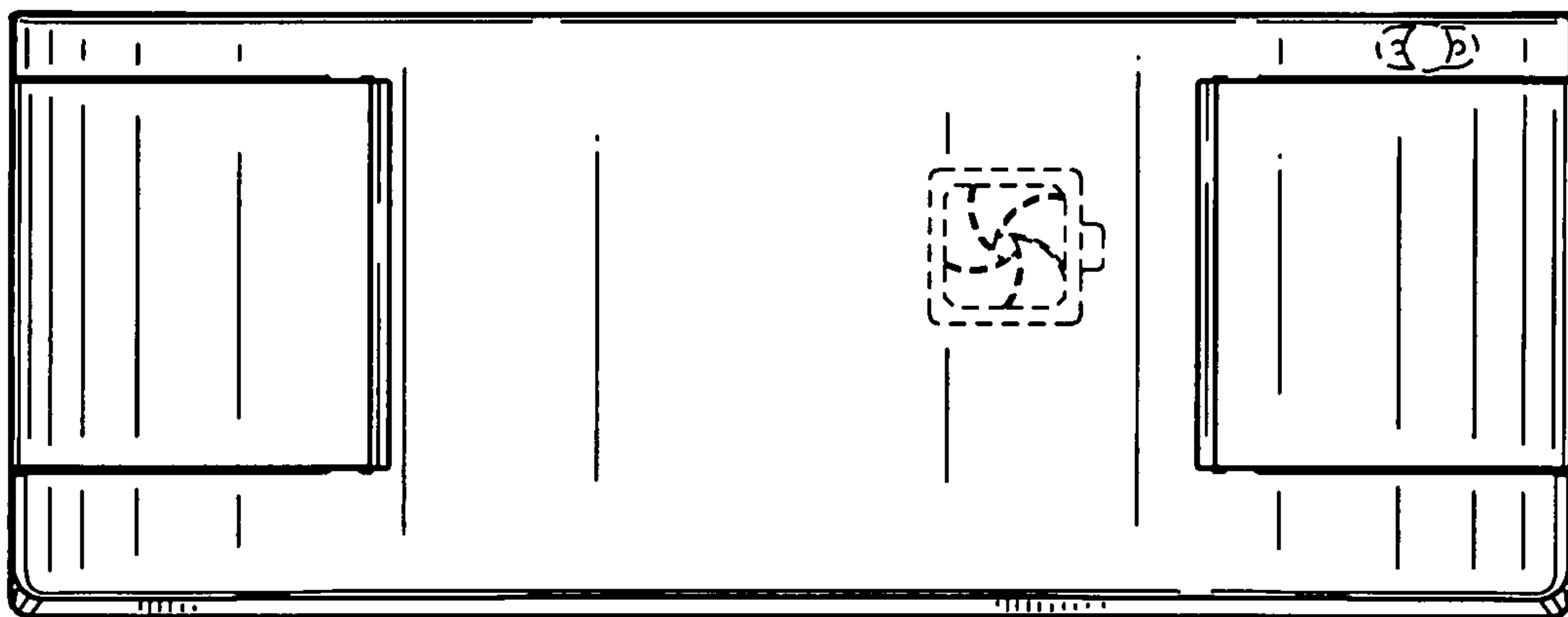


FIG. 9