



US00D571476S

(12) **United States Design Patent**
Chuang

(10) **Patent No.:** **US D571,476 S**
(45) **Date of Patent:** **** Jun. 17, 2008**

(54) **ELECTRICAL MUSCLE STIMULATION
MASSAGING APPARATUS**

(75) Inventor: **Sain Keat Ken Chuang**, Singapore (SG)

(73) Assignee: **OSIM International Ltd.**, Singapore
(SG)

(**) Term: **14 Years**

(21) Appl. No.: **29/238,365**

(22) Filed: **Sep. 14, 2005**

(51) **LOC (8) Cl.** **24-04**

(52) **U.S. Cl.** **D24/200**

(58) **Field of Classification Search** D24/200,
D24/215; 607/39-46, 48, 49, 54, 66, 72;
600/546

See application file for complete search history.

(56) **References Cited**

U.S. PATENT DOCUMENTS

D254,268	S	*	2/1980	D'Haenens et al.	D24/200
5,048,523	A	*	9/1991	Yamasawa et al.	607/66
D323,561	S	*	1/1992	Bartelt et al.	D24/200
D350,206	S	*	8/1994	Mochida	D24/200
D465,575	S	*	11/2002	Piel	D24/200

* cited by examiner

Primary Examiner—Ian Simmons
Assistant Examiner—Melanie Levy
(74) *Attorney, Agent, or Firm*—Baker & McKenzie LLP

(57) **CLAIM**

The ornamental design for an electrical muscle stimulation massaging apparatus, as shown and described.

DESCRIPTION

FIG. 1 is a front view of an electrical muscle stimulation massaging apparatus;

FIG. 2 is a rear view thereof;

FIG. 3 is a top plan view thereof;

FIG. 4 is a bottom plan view thereof;

FIG. 5 is a left side view thereof;

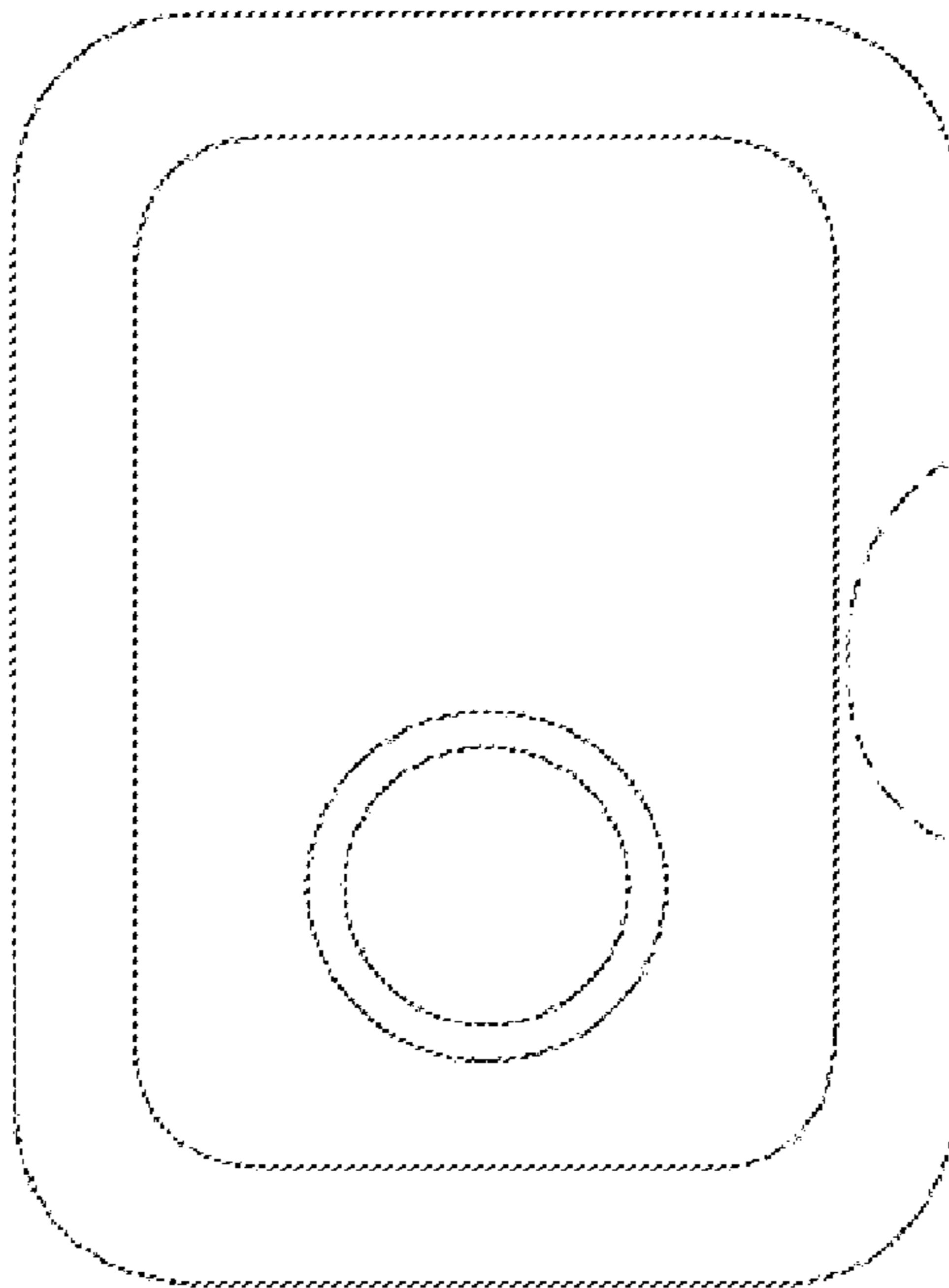
FIG. 6 is a right side view thereof;

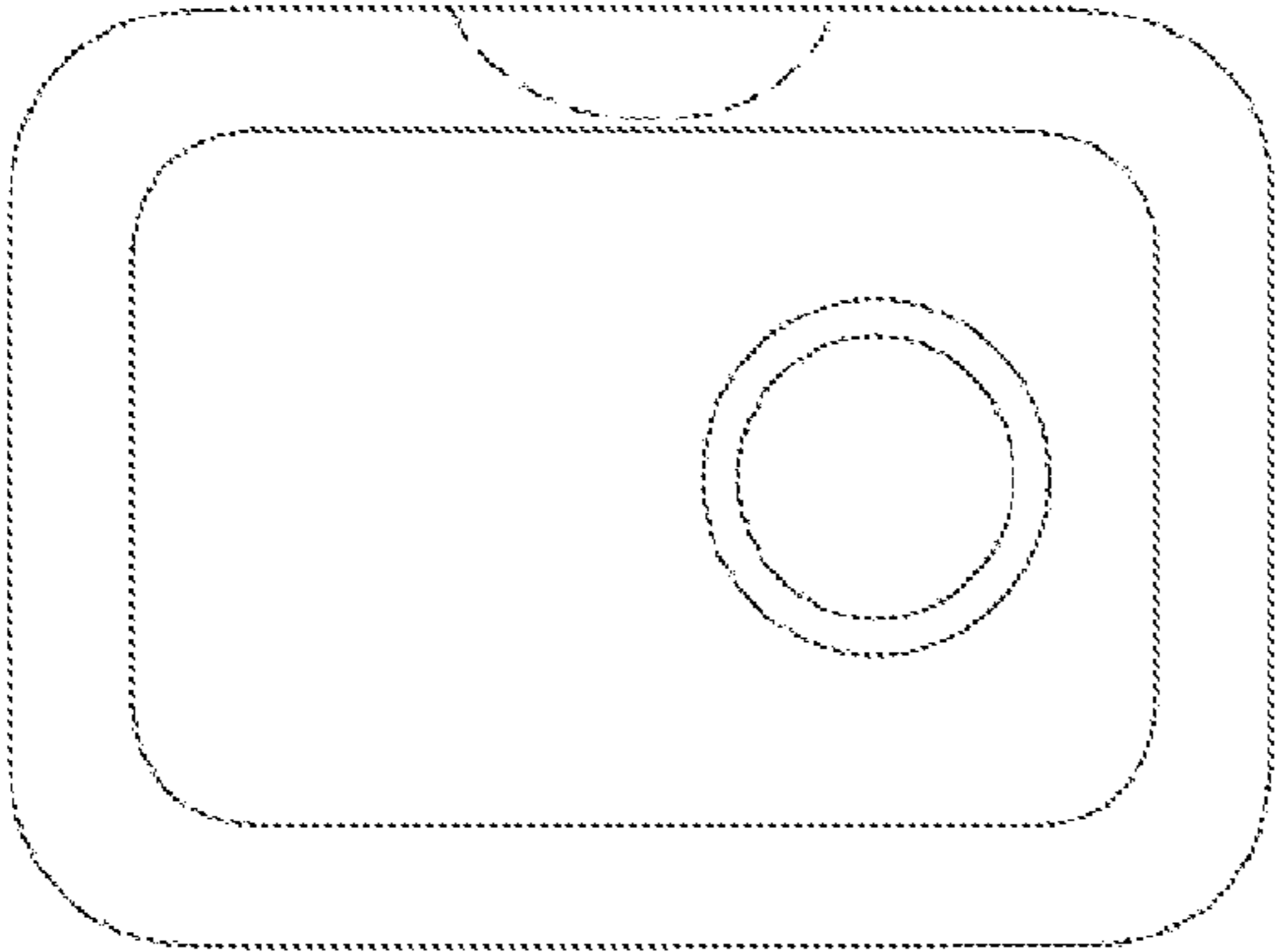
FIG. 7 is an isometric top view thereof; and,

FIG. 8 is an isometric bottom view thereof.

The broken line showing of visible environmental structures is for illustrative purposes only and forms no part of the claimed design.

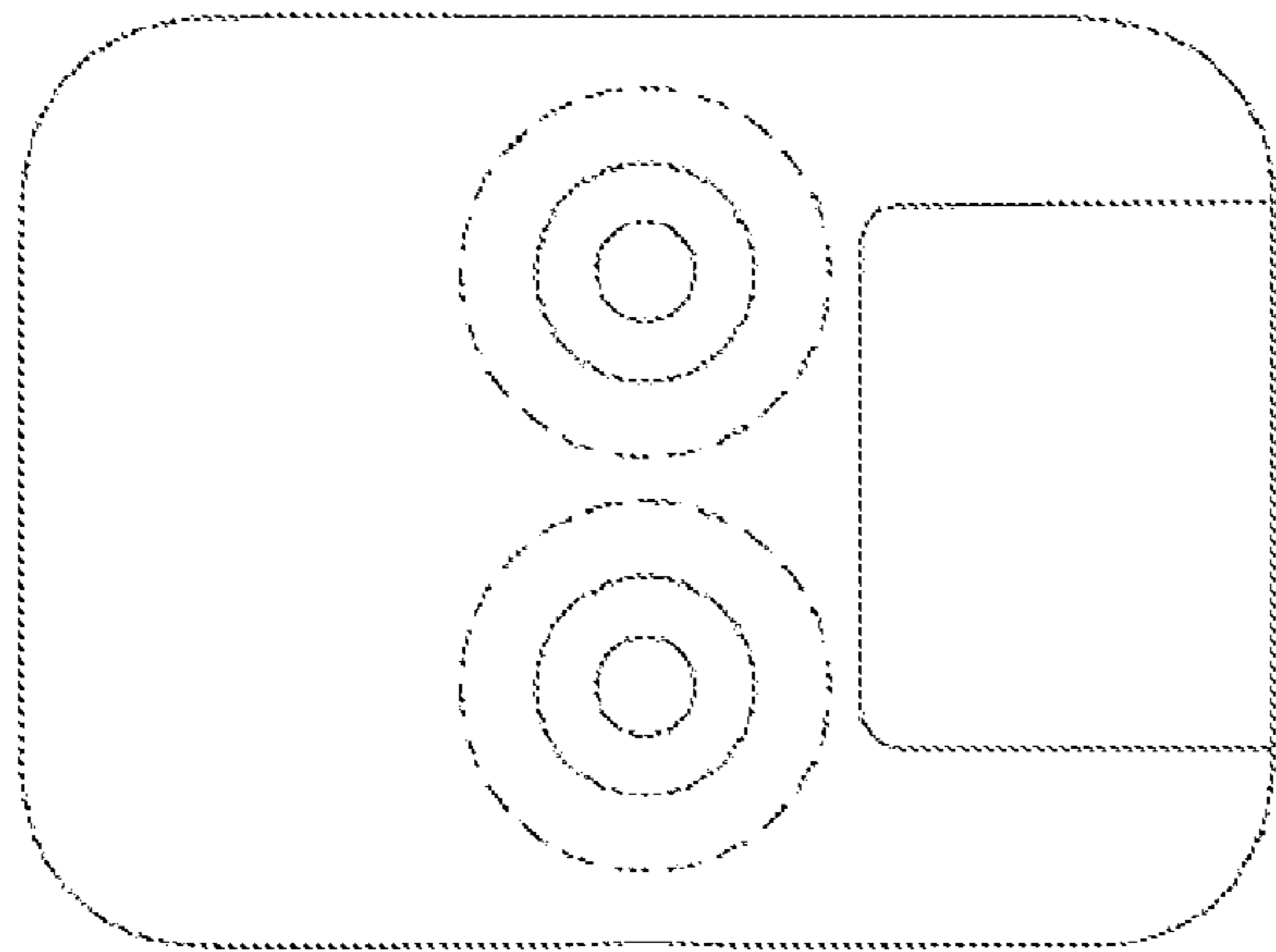
1 Claim, 7 Drawing Sheets





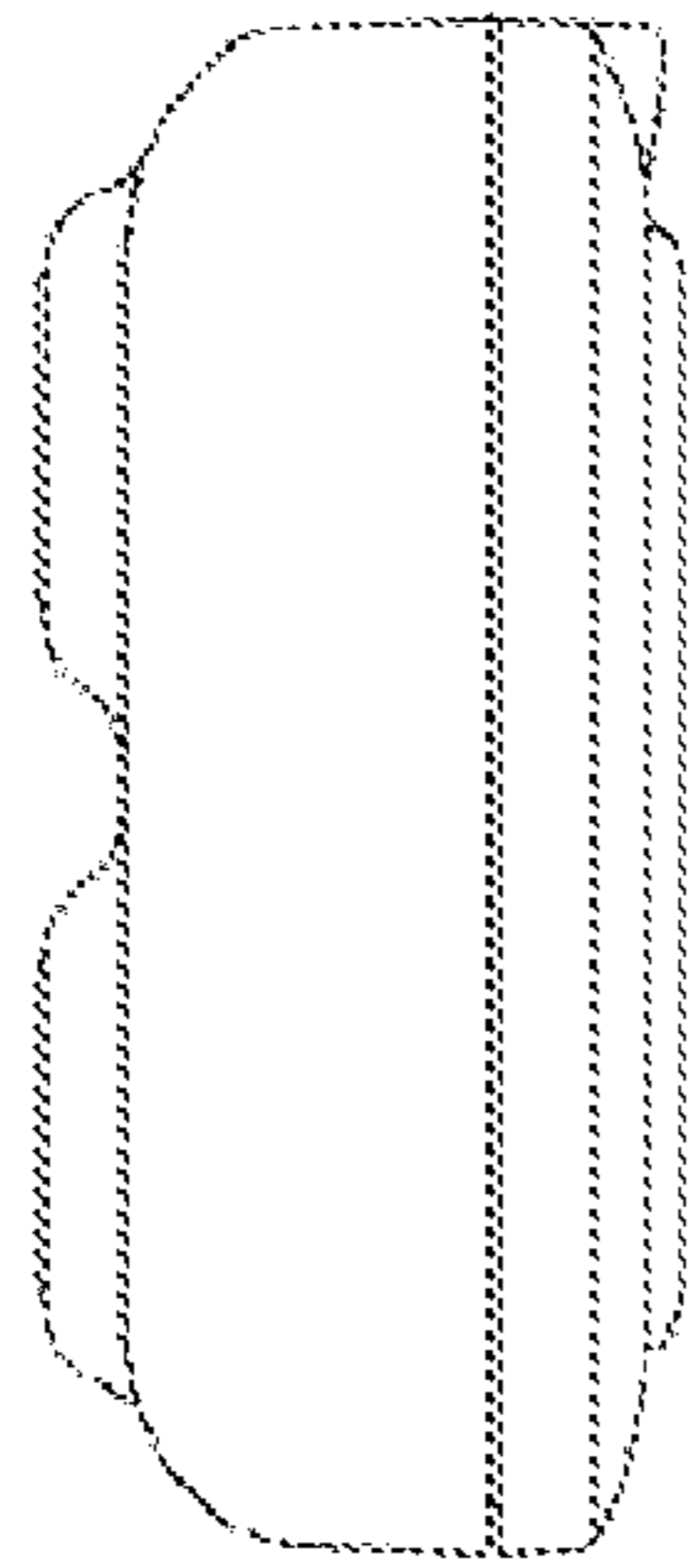
Front view

Fig. 1



Rear View

Fig. 2



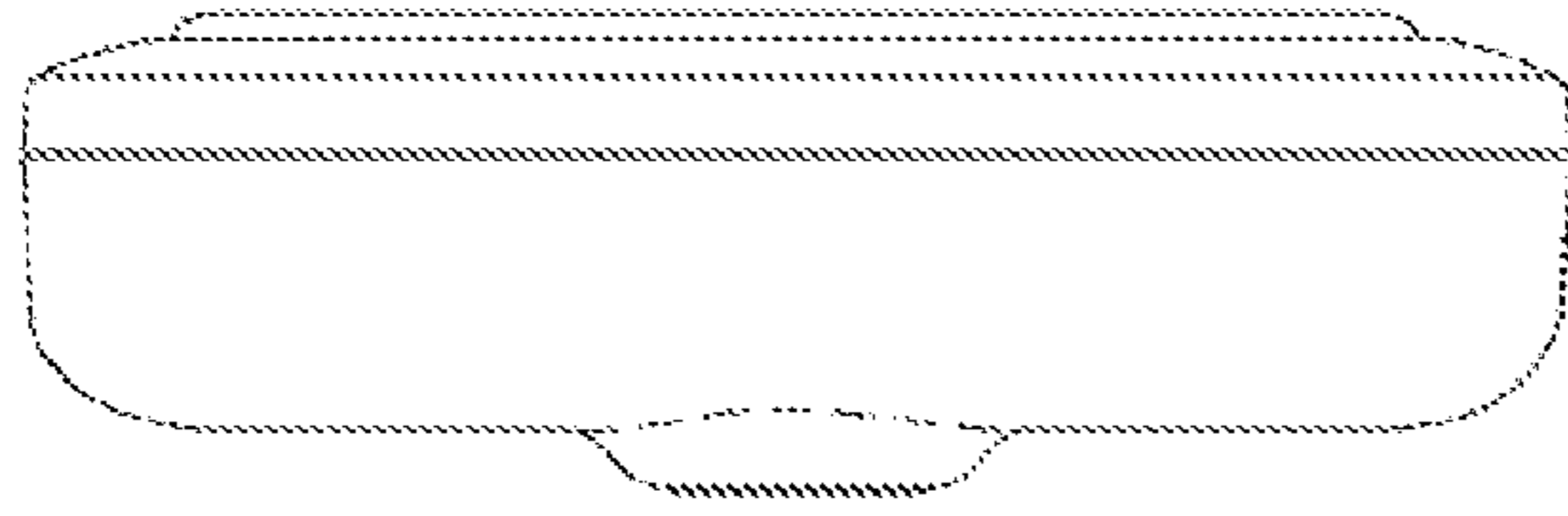
Top Plan View

Fig. 3



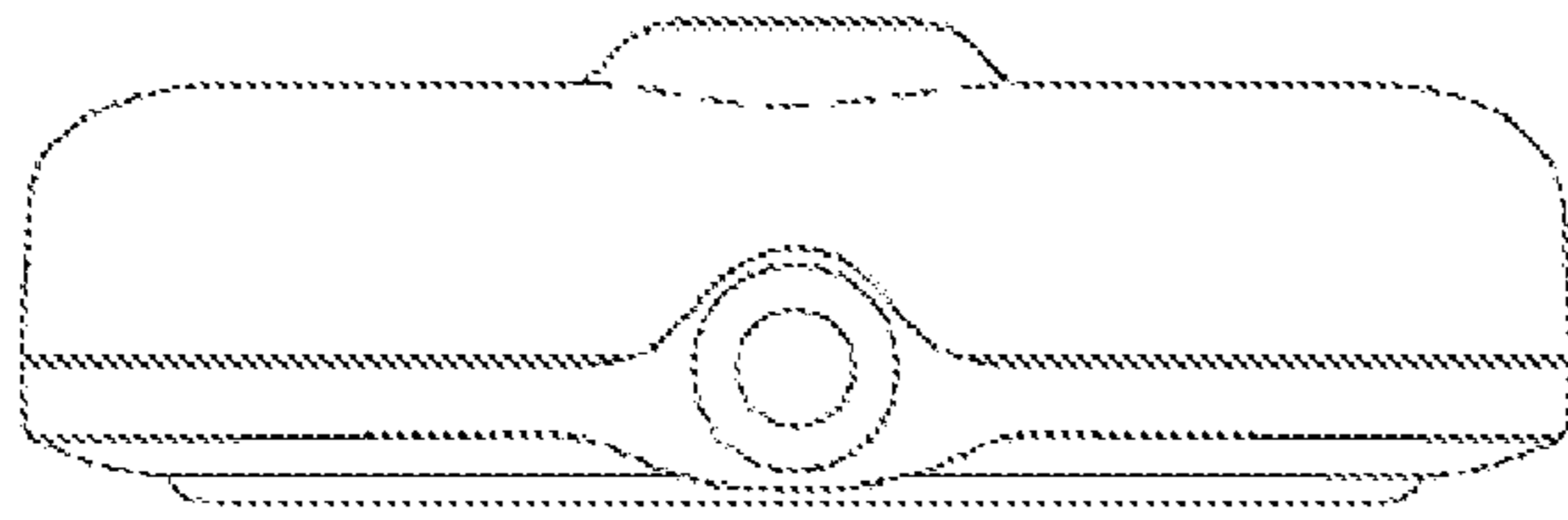
Bottom Plan View

Fig. 4



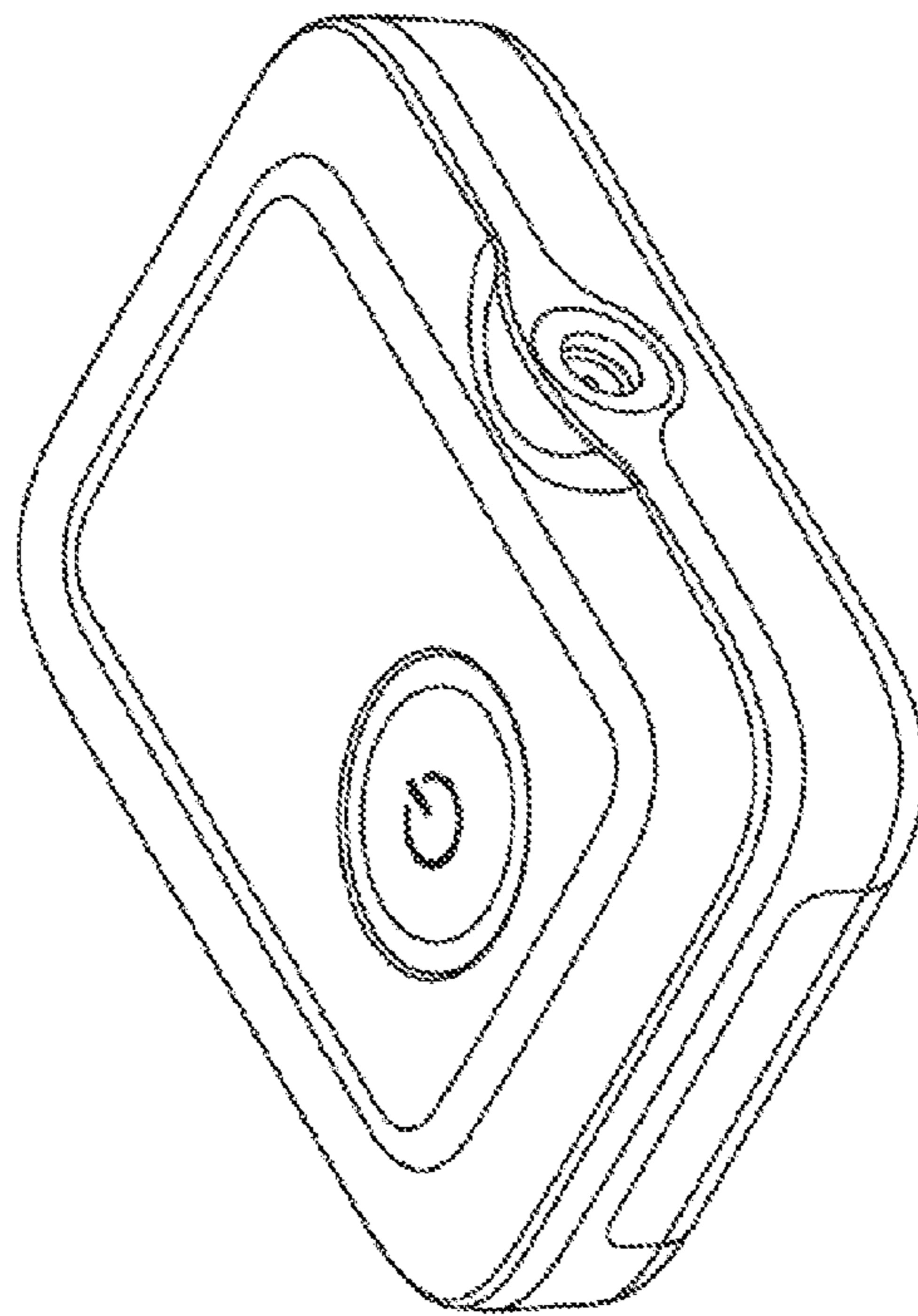
Left side view

Fig. 5



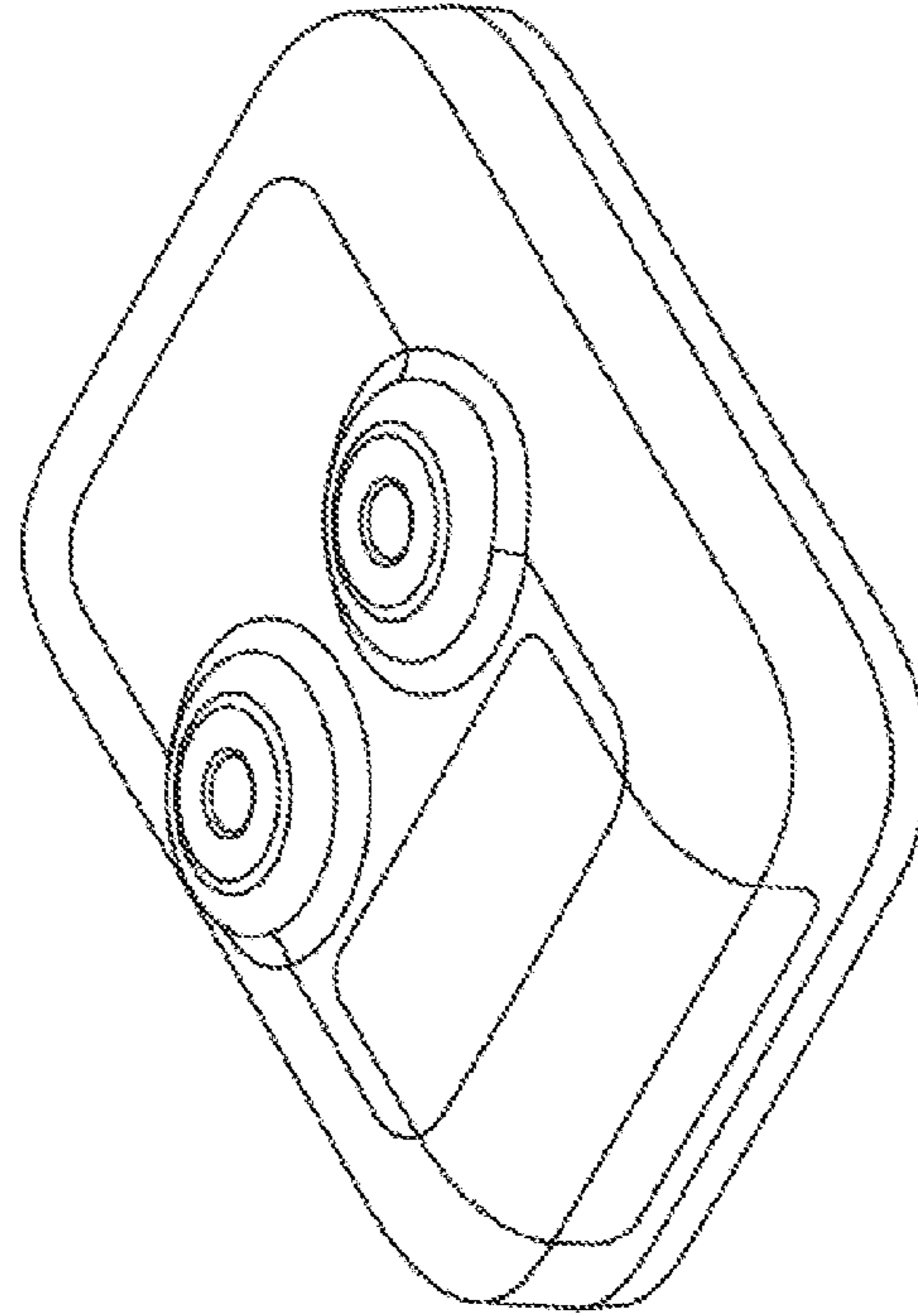
Right side view

Fig. 6



Isometric top

Fig. 7



Isometric bottom

Fig. 8