

US00D571472S

(12) **United States Design Patent**
Forlenza et al.

(10) **Patent No.:** **US D571,472 S**
(45) **Date of Patent:** **** Jun. 17, 2008**

(54) **CRYOSURGICAL APPARATUS**

6,430,956 B1 8/2002 Haas et al.
D477,408 S * 7/2003 Bromley D24/170
6,629,417 B2 10/2003 Haas et al.

(75) Inventors: **Albert Michael Forlenza**, Carrollton, TX (US); **Samuel Edward Ivey**, Richardson, TX (US); **Jerome F Krentel**, Covington, LA (US); **John Eglin Williams**, Covington, LA (US); **Joanne B. Haas**, Covington, LA (US); **Paula A. Schweikert**, Abita Springs, LA (US); **Kishore K. Kondabatni**, Atlanta, GA (US); **Richard E. Bailey**, Mandeville, LA (US)

* cited by examiner

Primary Examiner—Louis S Zarfaz
Assistant Examiner—Anhdao Doan
(74) *Attorney, Agent, or Firm*—Joseph T. Regard Ltd plc

(73) Assignee: **Cimex Medical Innovations, L.C.**, Covington, LA (US)

(57) **CLAIM**

The ornamental design for a cryosurgical apparatus, as shown and described.

(**) Term: **14 Years**

DESCRIPTION

(21) Appl. No.: **29/262,863**

FIG. 1 is an isometric view of the design of the present invention;

(22) Filed: **Jul. 11, 2006**

FIG. 2 is a front view of the design of the present invention;

(51) **LOC (8) Cl.** **24-01**

(52) **U.S. Cl.** **D24/170**

(58) **Field of Classification Search** D24/133,
D24/144, 170, 186; 606/20, 21, 22; 62/45.1,
62/54.3, 293, 297

FIG. 3 is a first side view of the design of the present invention;

FIG. 4 is a second side view of the design of the present invention;

FIG. 5 is a rear view of the design of the present invention;

FIG. 6 is a top view of the design of the present invention; and,

FIG. 7 is a bottom view of the design of the present invention.

See application file for complete search history.

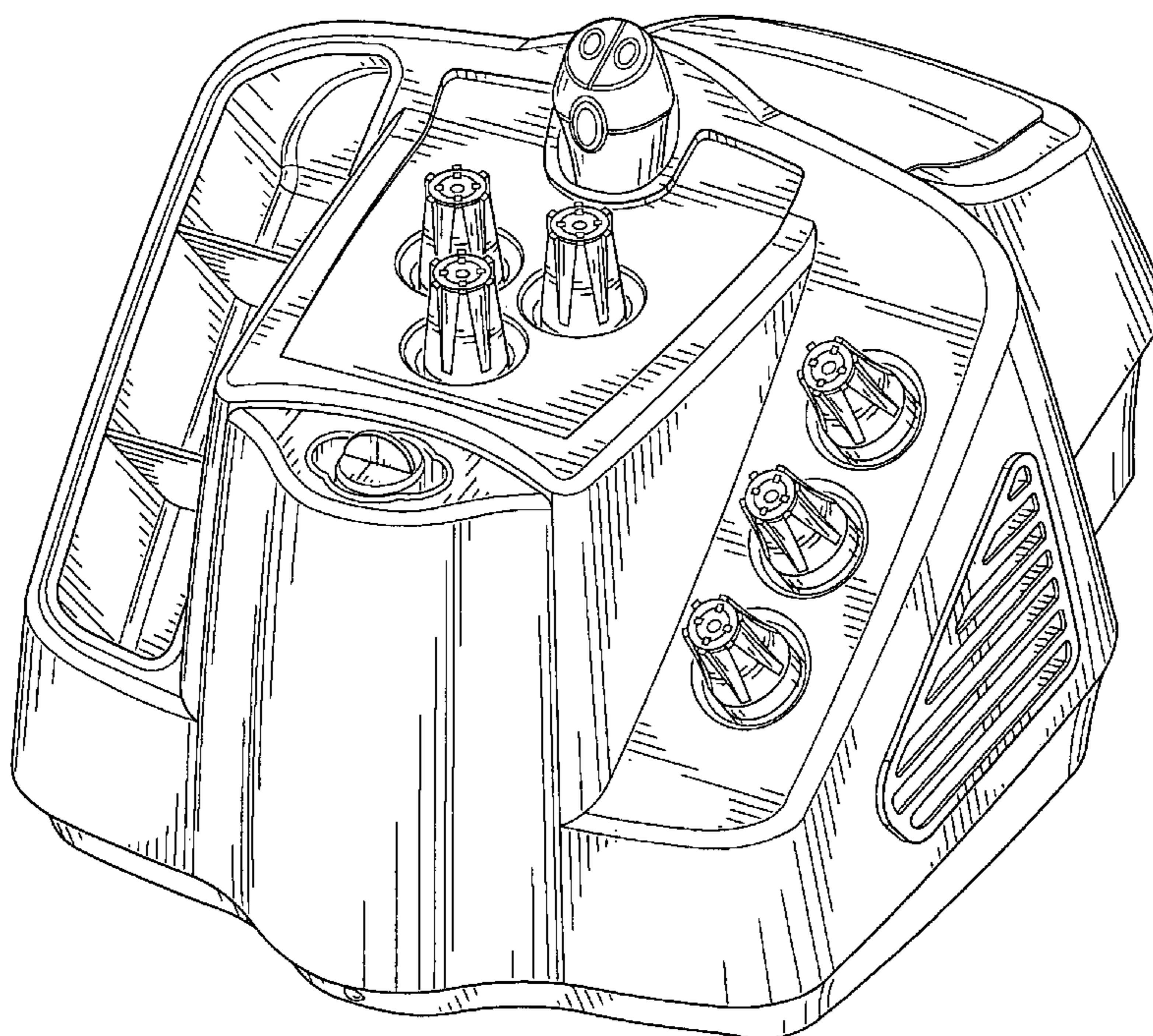
The broken lines in FIGS. 4, 5 and 7 are included for the purpose of illustrating portions of the cryosurgical apparatus that form no part of the claimed design.

(56) **References Cited**

U.S. PATENT DOCUMENTS

5,674,218 A * 10/1997 Rubinsky et al. 606/20
5,941,080 A * 8/1999 Richied et al. 62/45.1
D423,666 S * 4/2000 Griswold D24/133
D453,966 S * 2/2002 Claren D24/144

1 Claim, 7 Drawing Sheets



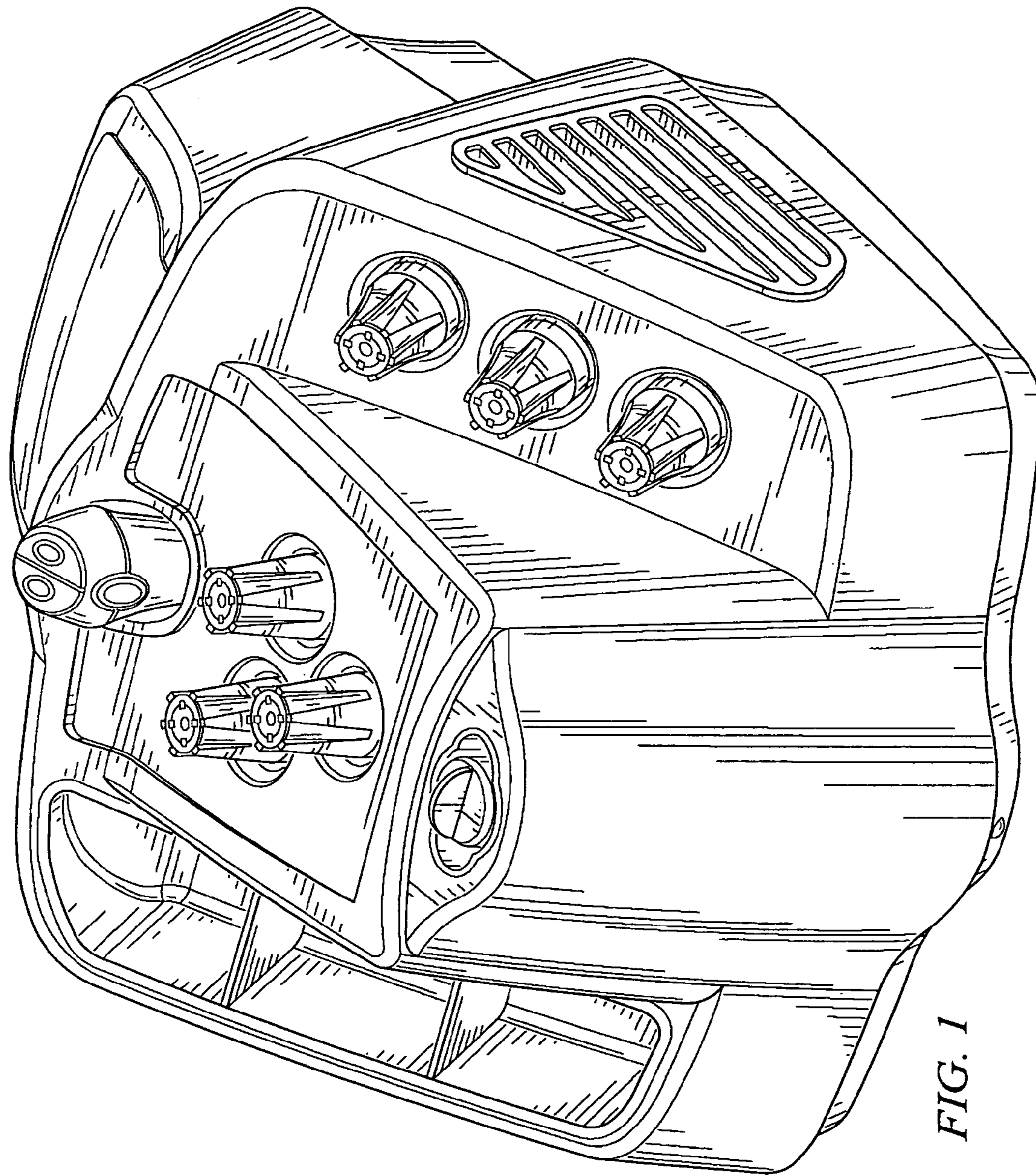


FIG. 1

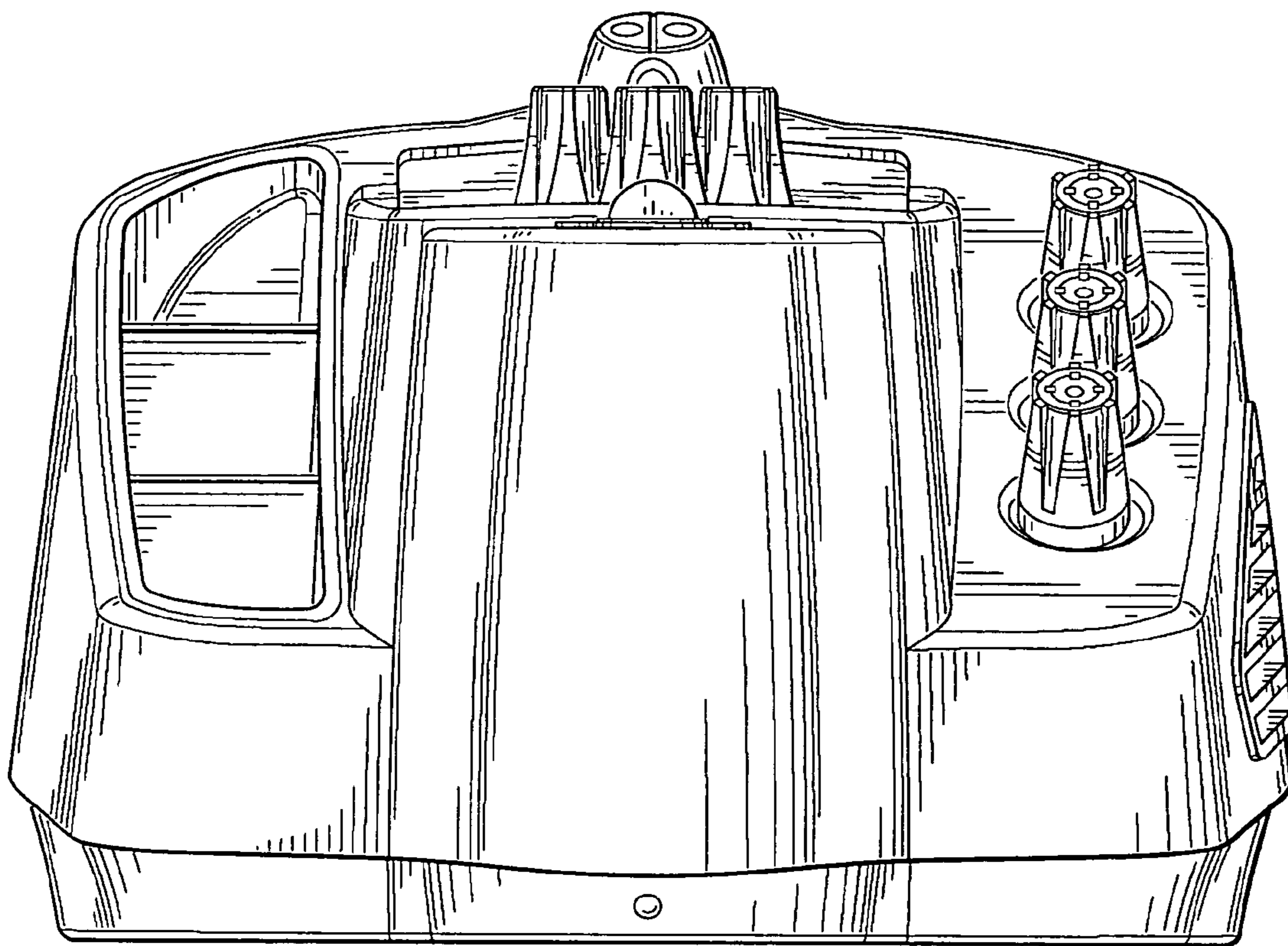


FIG. 2

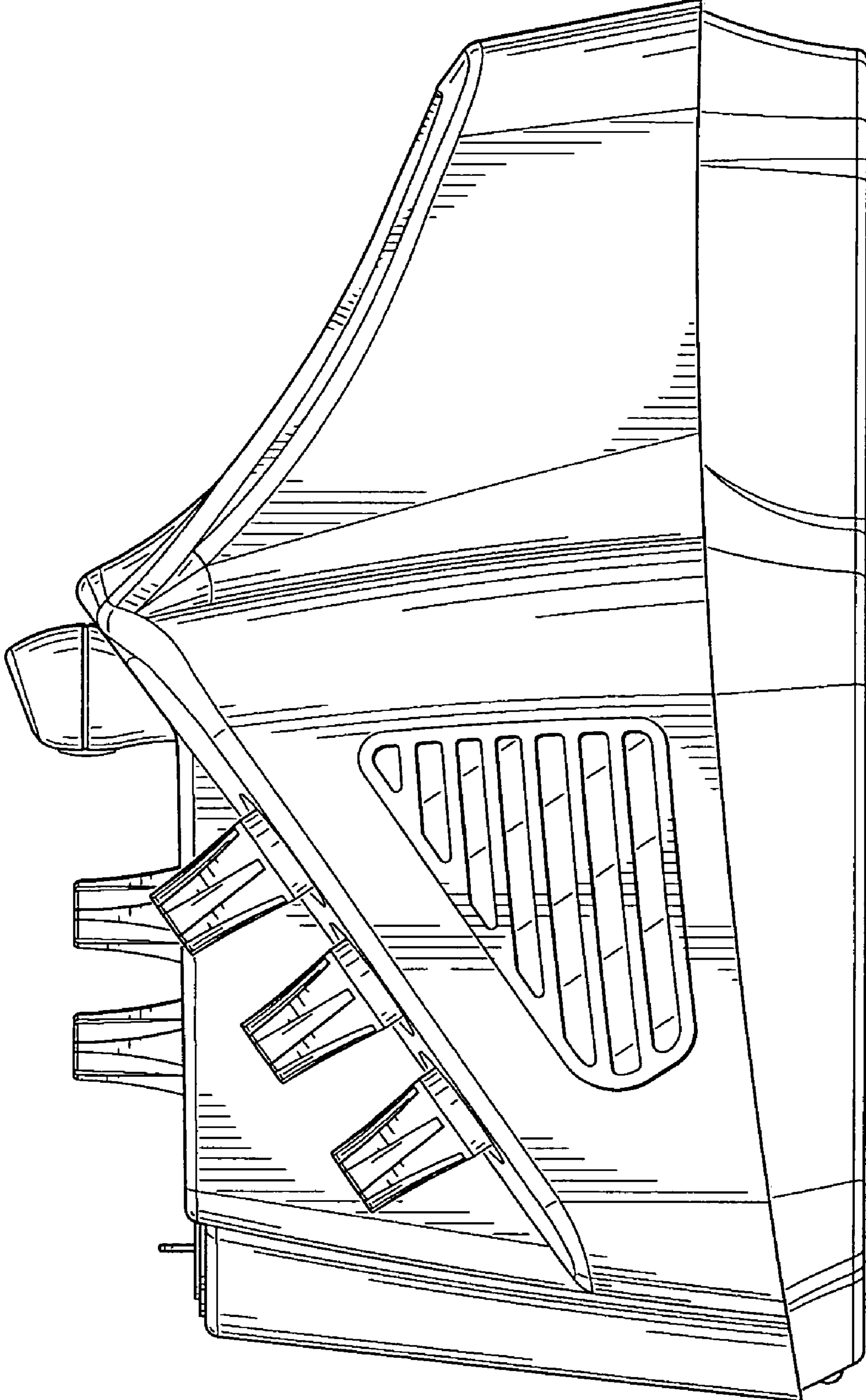


FIG. 3

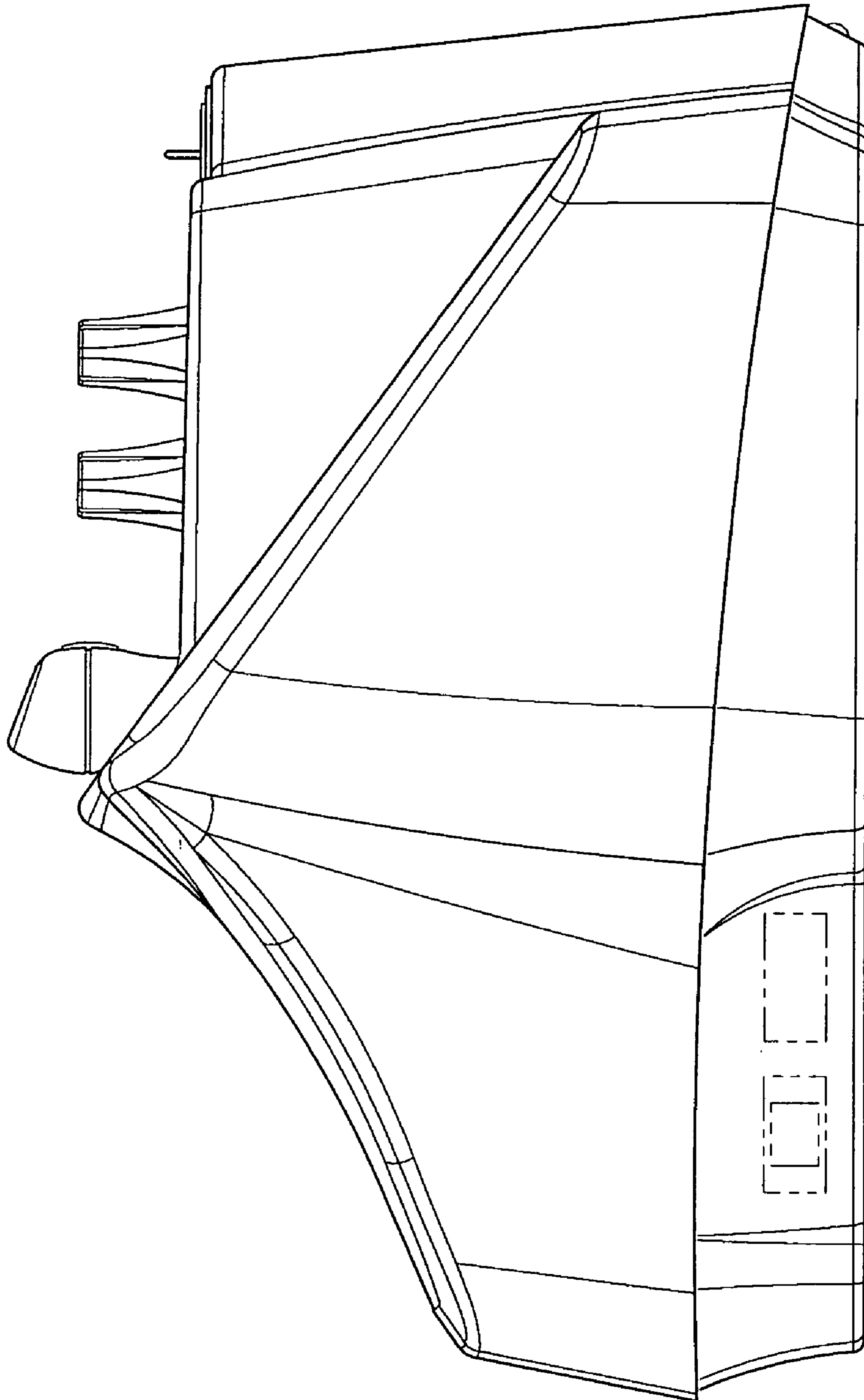


FIG. 4

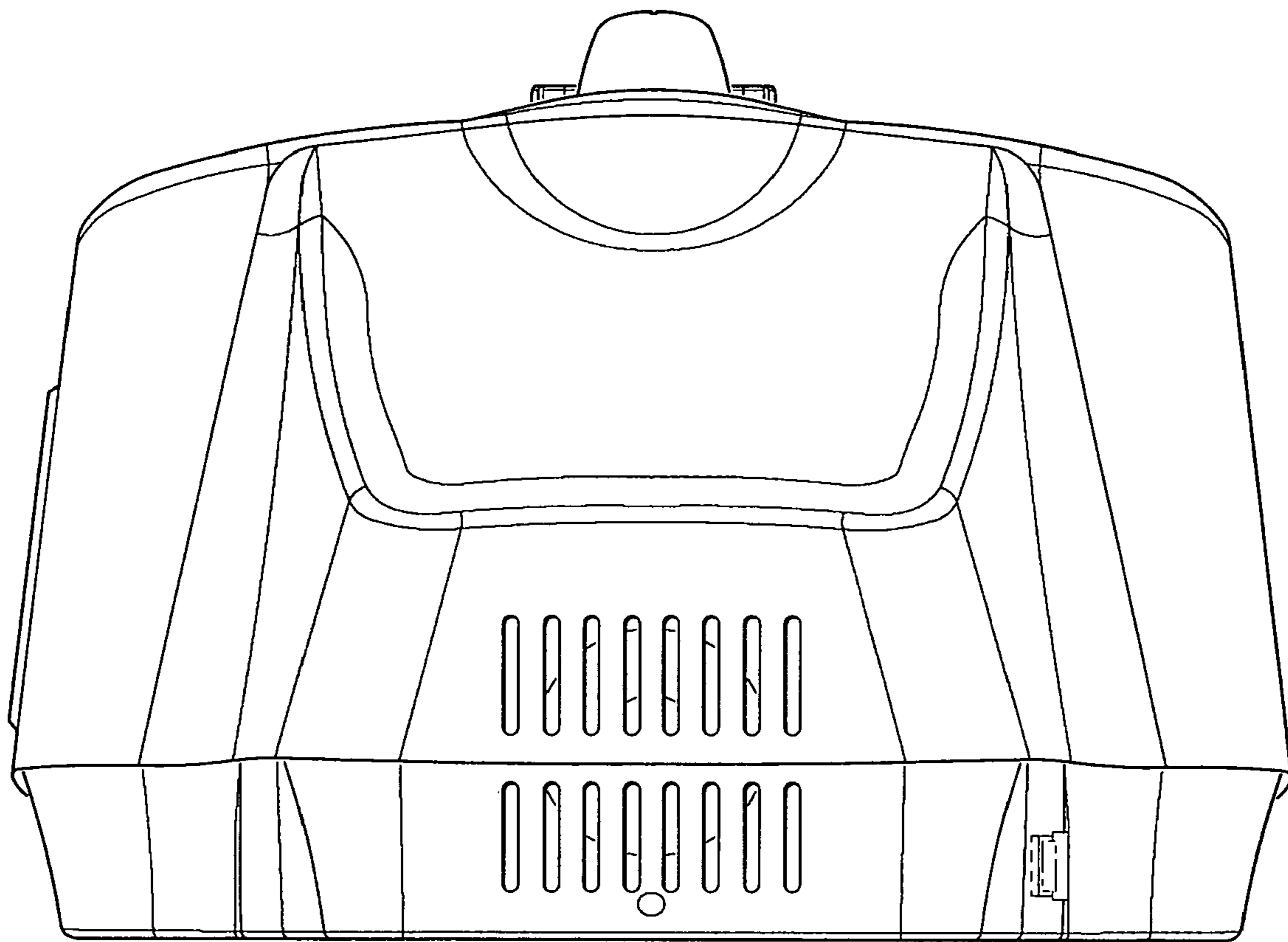


FIG. 5

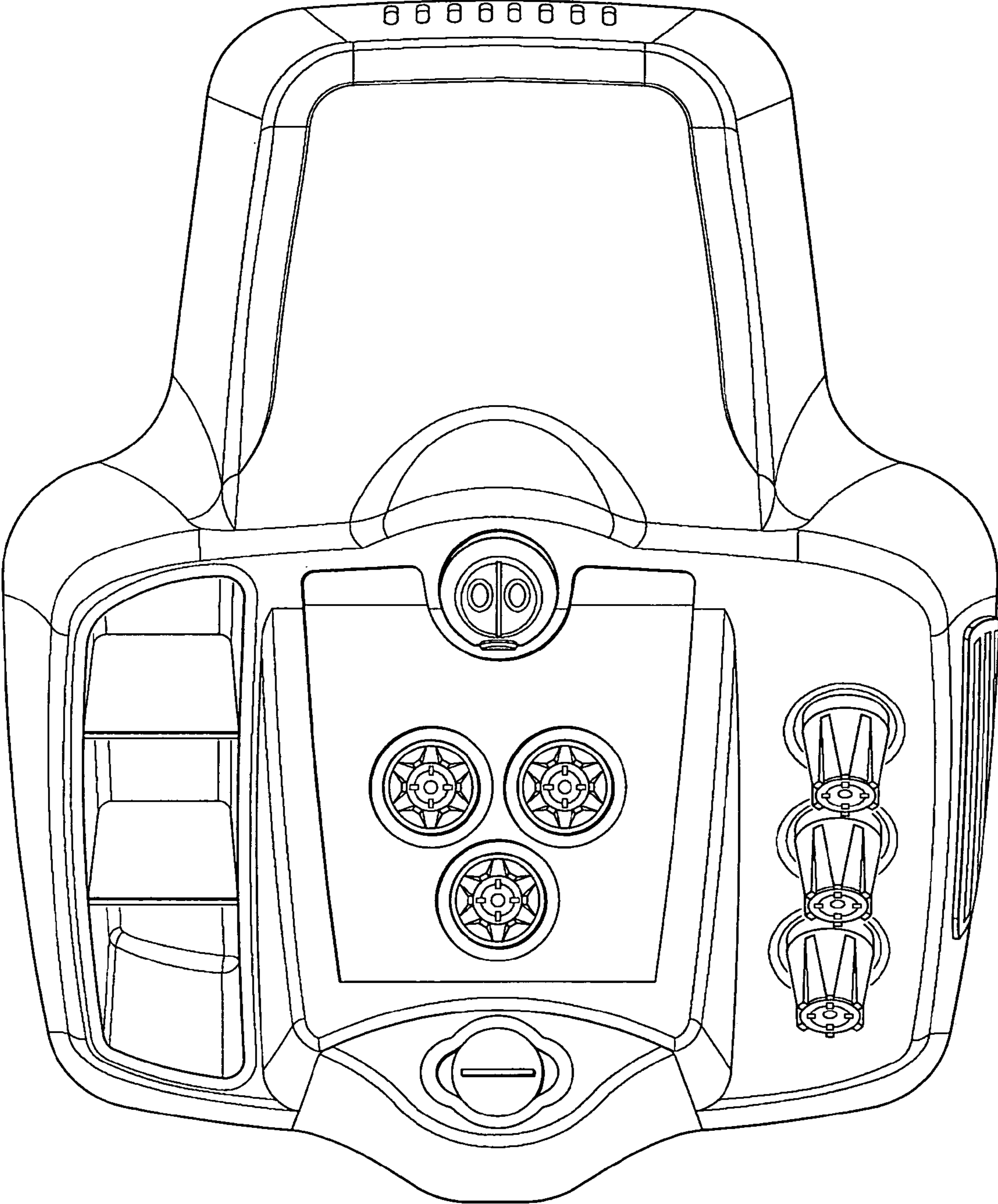


FIG. 6

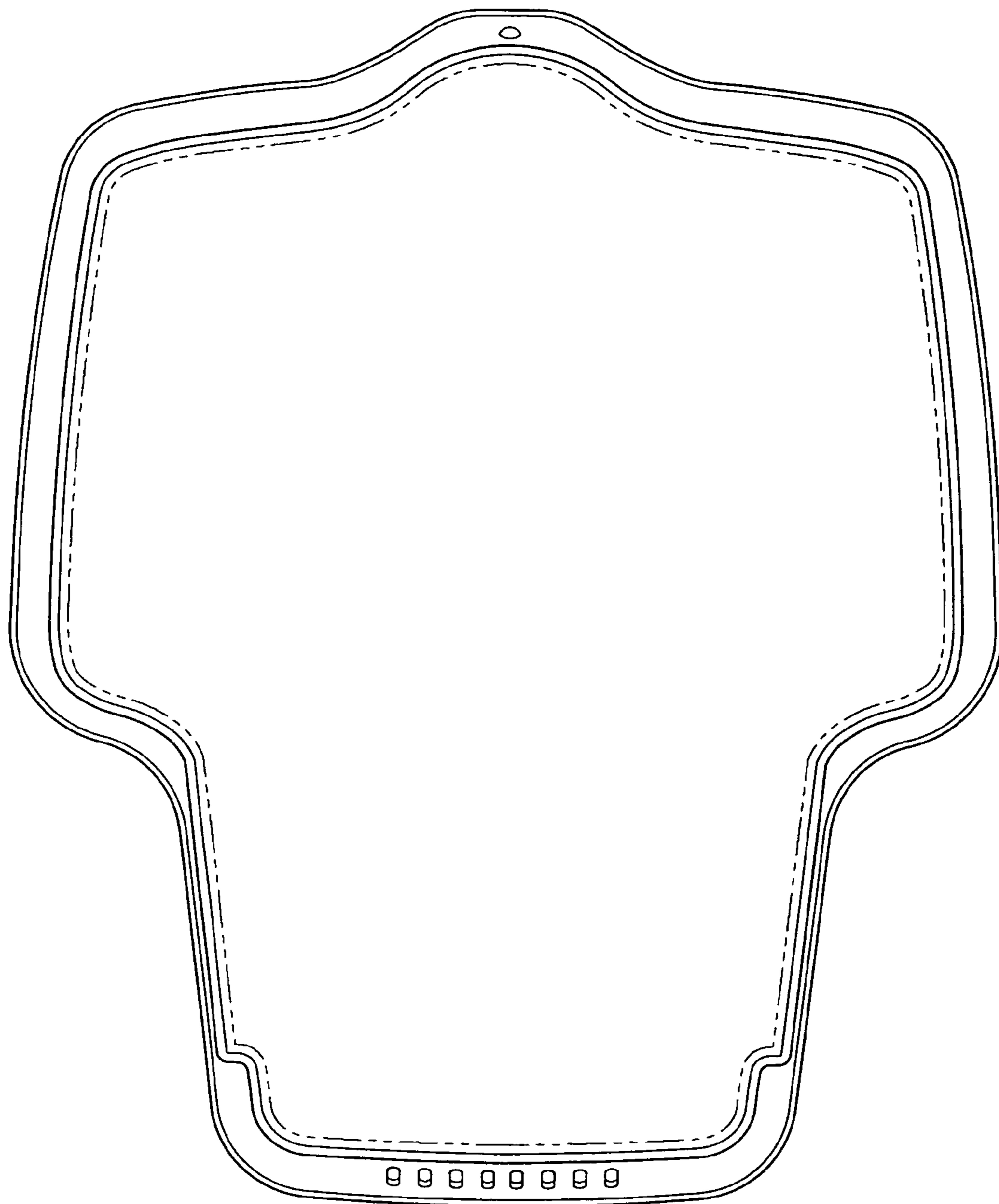


FIG. 7