



US00D571471S

(12) **United States Design Patent**  
**Stöckl**

(10) **Patent No.:** **US D571,471 S**

(45) **Date of Patent:** **\*\* Jun. 17, 2008**

(54) **X-RAY APPARATUS**

(75) Inventor: **Klaus Stöckl**, Bensheim (DE)

(73) Assignee: **Sirona Dental Systems GmbH**,  
Bensheim (DE)

(\*\*) Term: **14 Years**

(21) Appl. No.: **29/268,499**

(22) Filed: **Nov. 8, 2006**

(30) **Foreign Application Priority Data**

May 8, 2005 (EM) ..... 000524822

(51) **LOC (8) Cl.** ..... **24-01**

(52) **U.S. Cl.** ..... **D24/158**

(58) **Field of Classification Search** ..... D24/158-161;  
378/4, 19-21, 146, 37, 38, 102  
See application file for complete search history.

(56) **References Cited**

**U.S. PATENT DOCUMENTS**

D272,385 S \* 1/1984 Nakano et al. .... D24/158  
D323,892 S \* 2/1992 Spoljaric ..... D24/158

D417,503 S \* 12/1999 Spoljaric ..... D24/158  
6,169,780 B1 \* 1/2001 Yoshimura et al. .... 378/39  
6,243,439 B1 \* 6/2001 Arai et al. .... 378/20  
D478,171 S \* 8/2003 Malmen ..... D24/158  
D502,543 S \* 3/2005 Phleps et al. .... D24/158  
7,016,461 B2 \* 3/2006 Rotondo et al. .... 378/39

\* cited by examiner

*Primary Examiner*—Louis S Zarfaz

*Assistant Examiner*—Anhdao Doan

(74) *Attorney, Agent, or Firm*—Dykema Gossett PLLC

(57) **CLAIM**

The ornamental design for an X-ray apparatus, as shown and described.

**DESCRIPTION**

FIG. 1 is a top plan view of an X-ray apparatus showing my design,

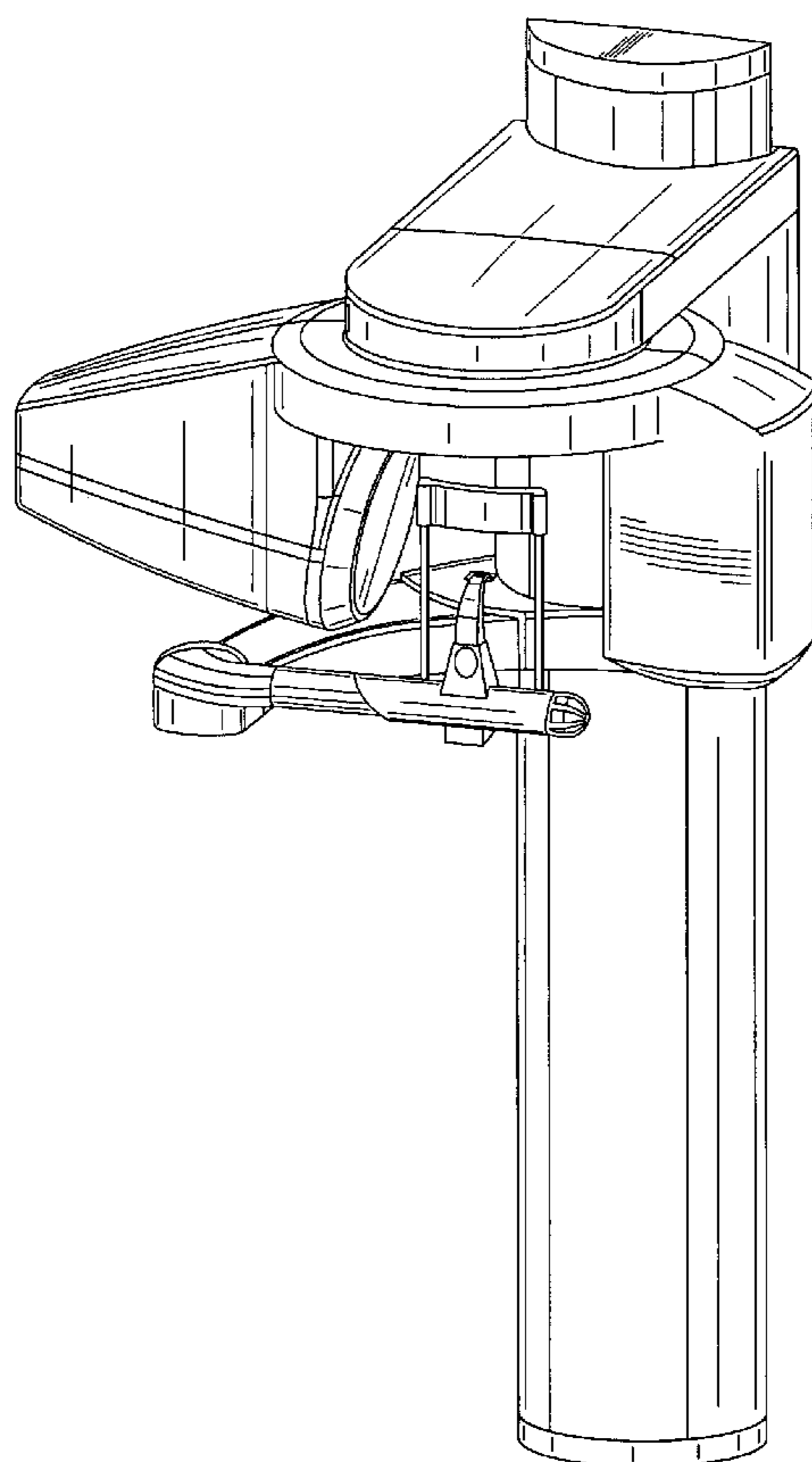
FIG. 2 is a front elevational view thereof,

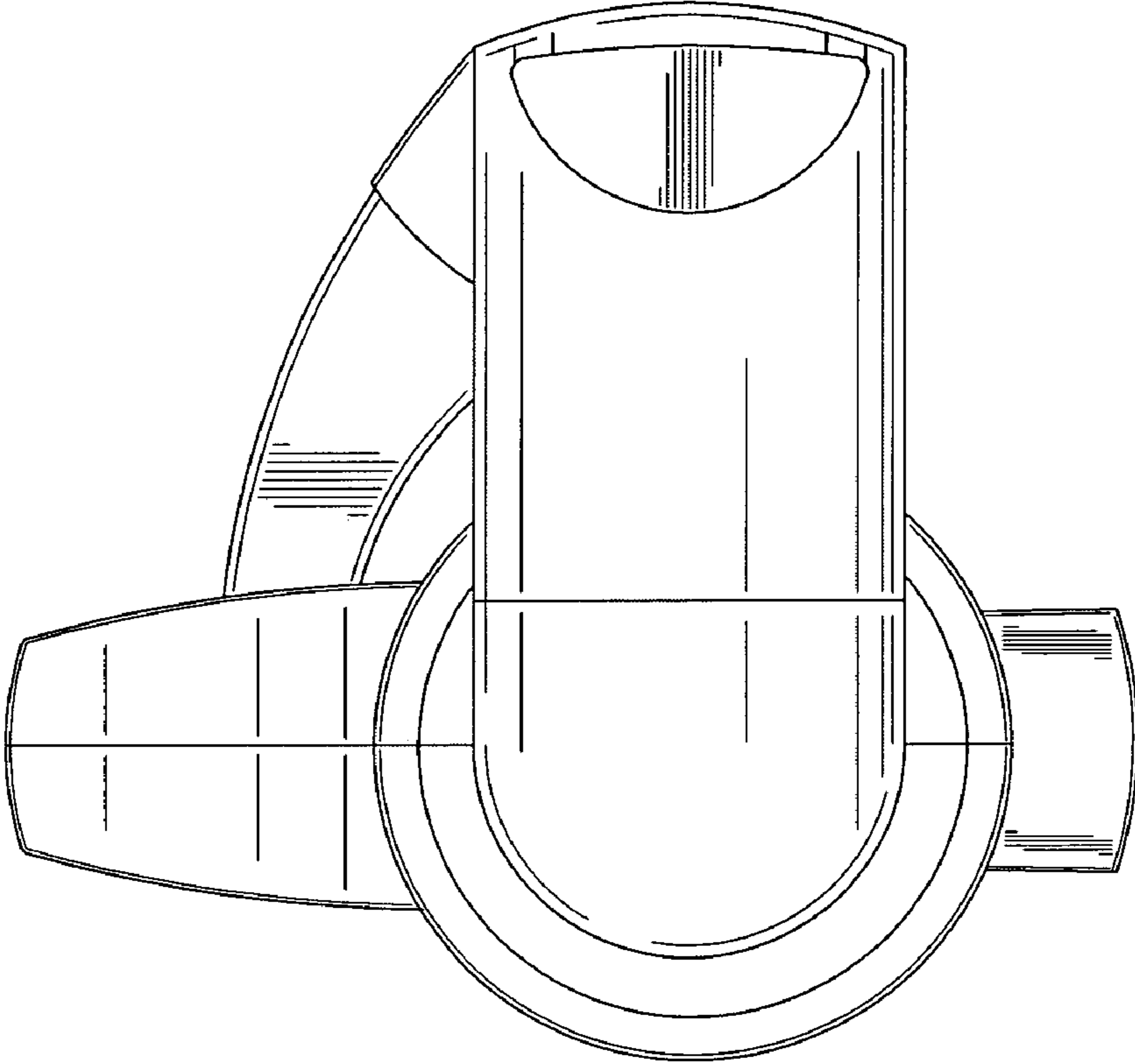
FIG. 3 is a right side elevational view thereof,

FIG. 4 is a left side elevational view thereof; and,

FIG. 5 is a front perspective view thereof.

**1 Claim, 5 Drawing Sheets**





**FIG. 1**

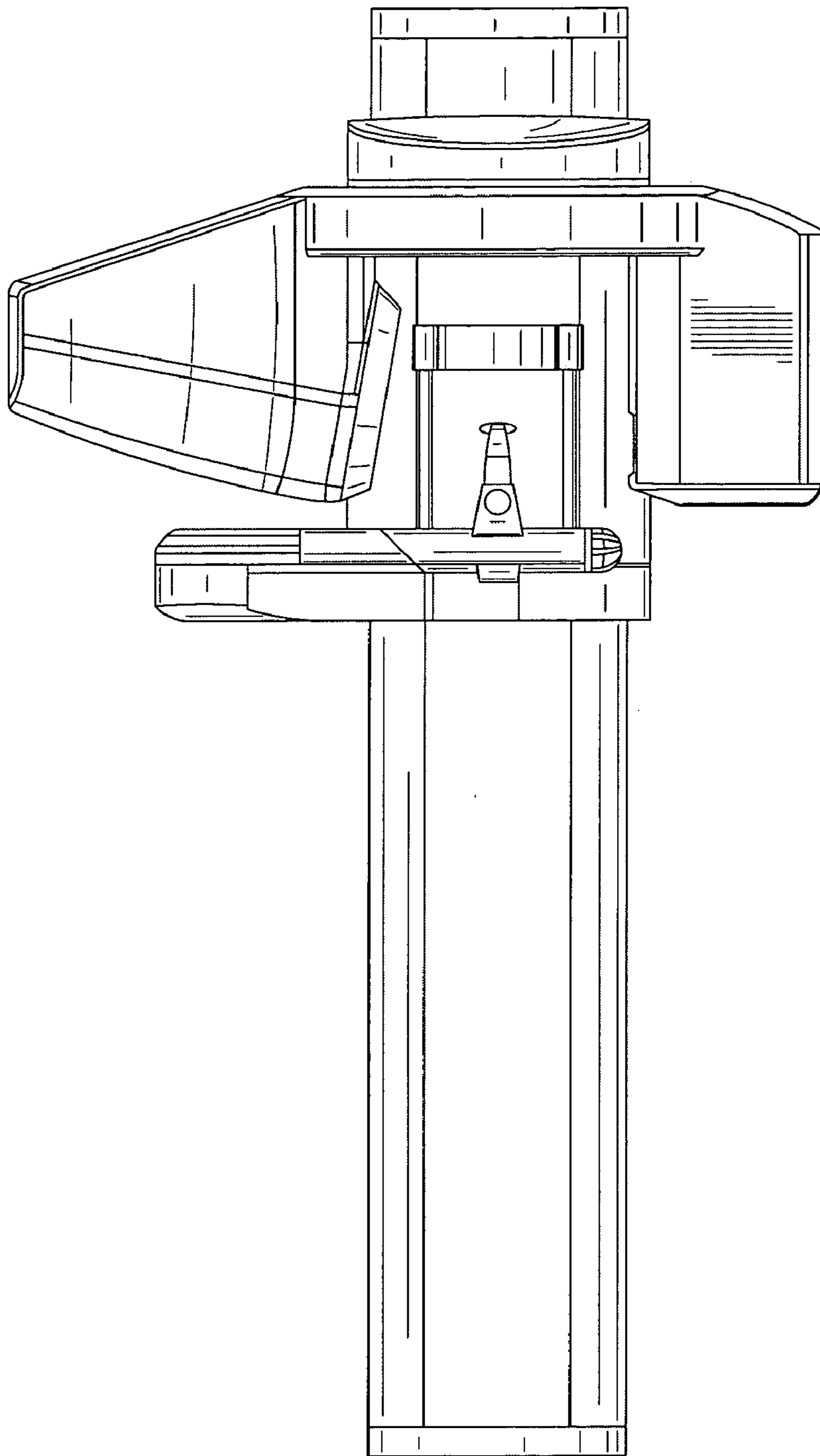


FIG. 2

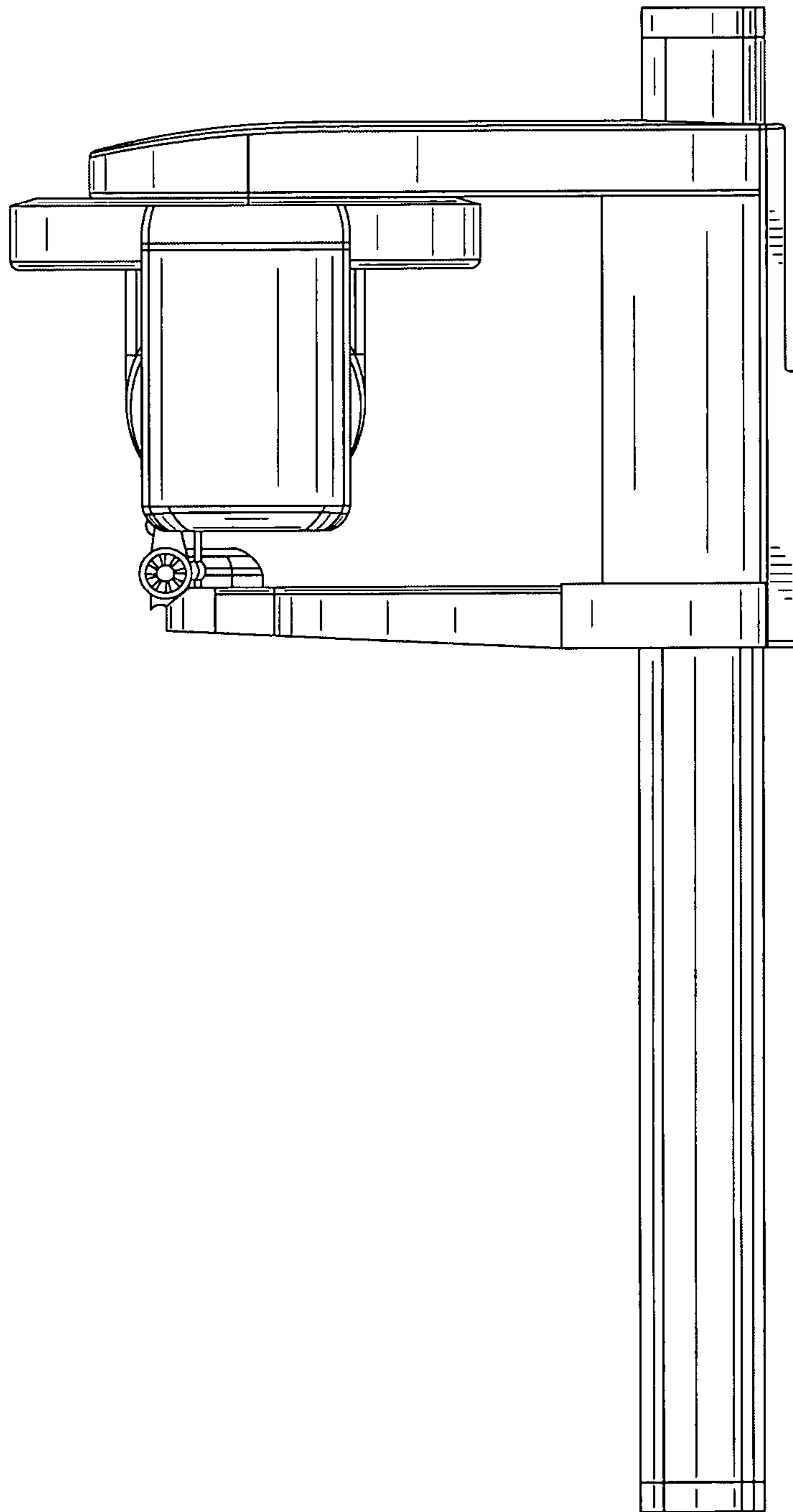
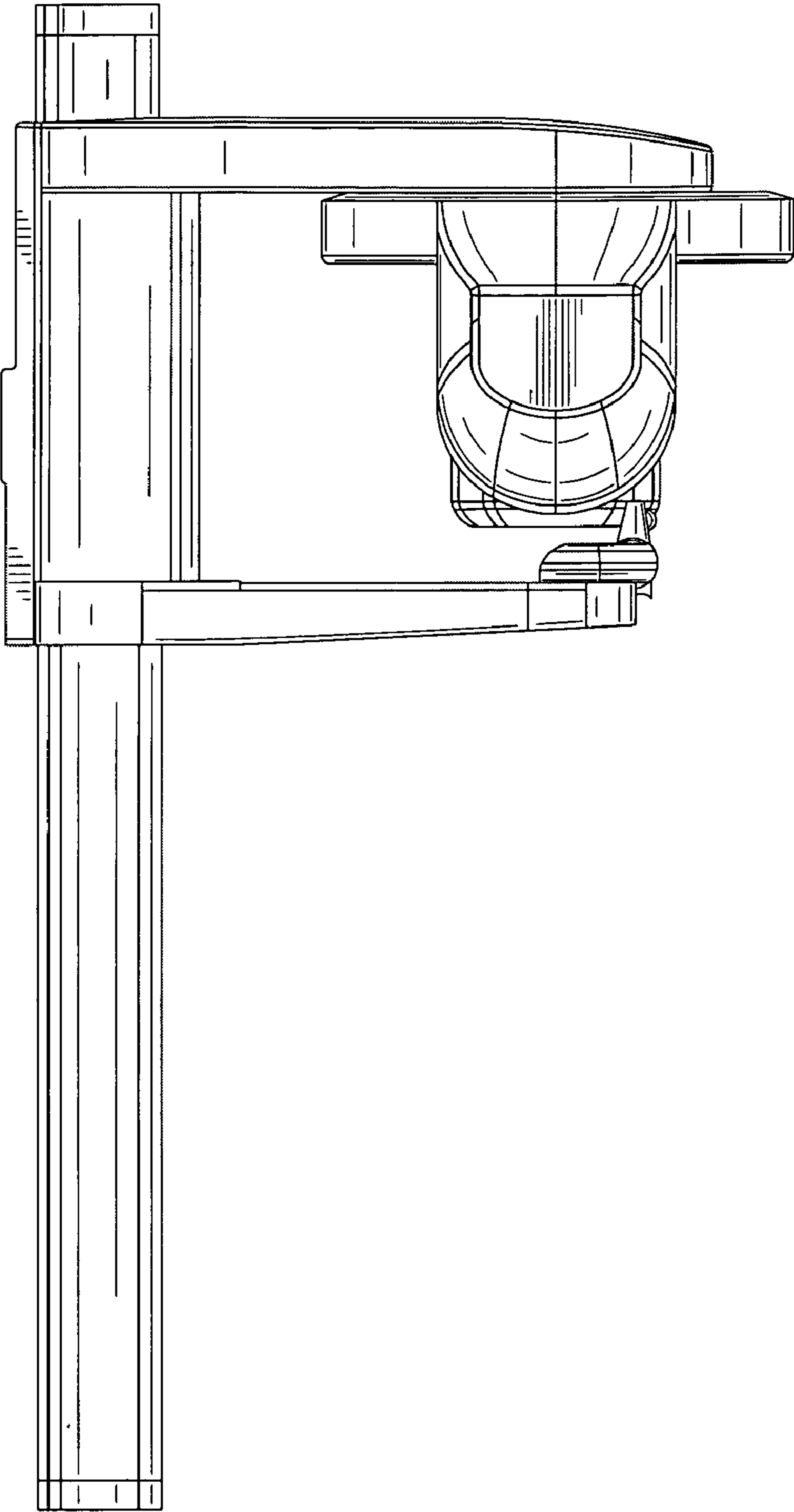
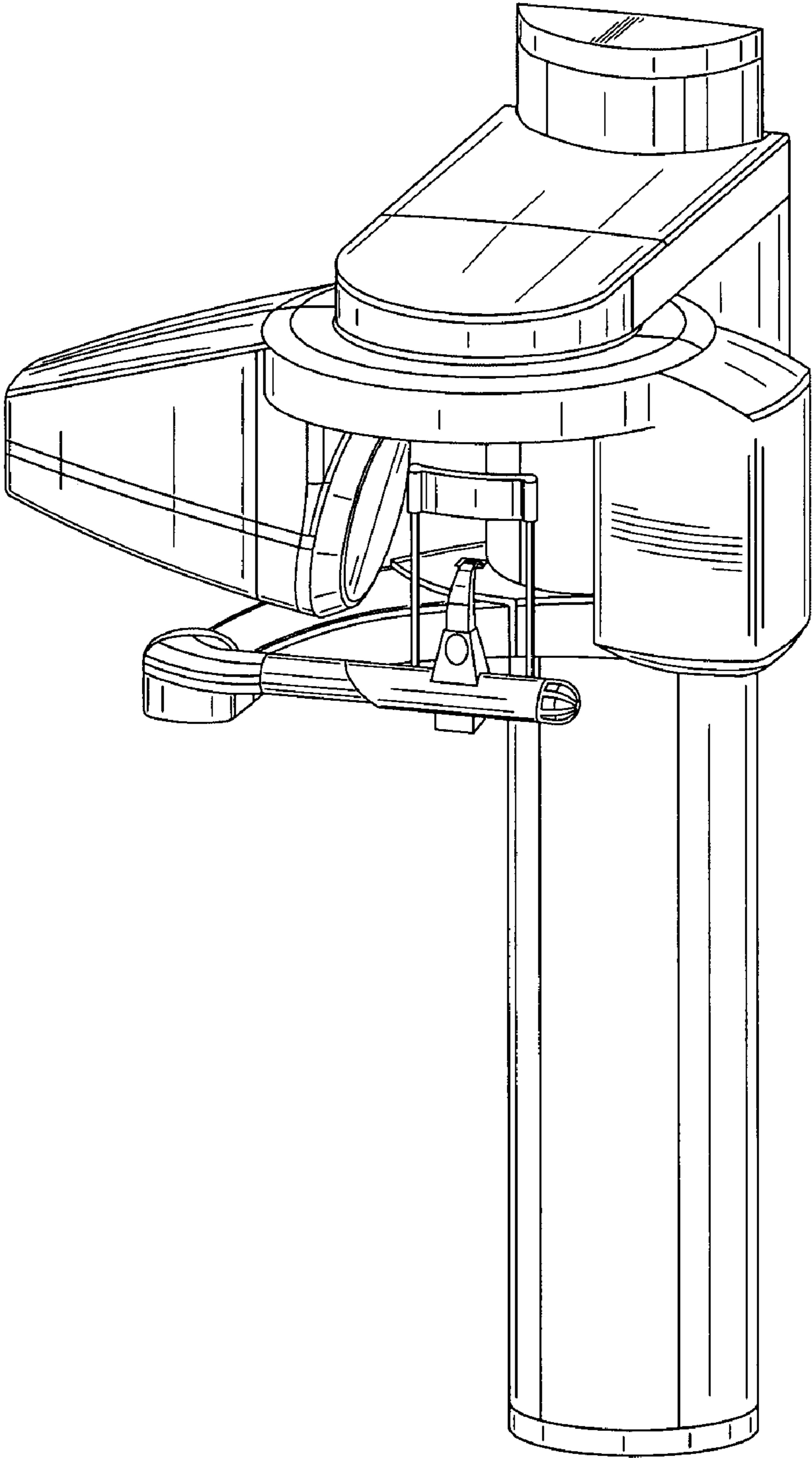


FIG. 3



**FIG. 4**



**FIG. 5**