



US00D571469S

(12) **United States Design Patent**  
**Henry**

(10) **Patent No.:** **US D571,469 S**  
(45) **Date of Patent:** **\*\* Jun. 17, 2008**

(54) **SPECULUM**

(75) Inventor: **Travis J. Henry**, Elkhorn, WI (US)

(73) Assignee: **Mark Anderson**, Spring Valley, WI (US)

(\*\*) Term: **14 Years**

(21) Appl. No.: **29/289,532**

(22) Filed: **Jul. 24, 2007**

(51) **LOC (8) Cl.** ..... **24-02**

(52) **U.S. Cl.** ..... **D24/135**

(58) **Field of Classification Search** ..... D24/134,  
D24/135; 600/220, 239, 243, 244, 237  
See application file for complete search history.

(56) **References Cited**

U.S. PATENT DOCUMENTS

843,040	A *	2/1907	Seabrant	600/243
1,331,542	A *	2/1920	Vose	600/244
1,915,454	A *	6/1933	Steigenberger	600/243
2,011,445	A *	8/1935	Hiner	600/243
5,174,278	A *	12/1992	Babkow	600/210
6,196,837	B1 *	3/2001	Landfield	433/1
6,234,962	B1	5/2001	Williams	
6,695,776	B1	2/2004	Jeffrey	

\* cited by examiner

*Primary Examiner*—Ian Simmons

*Assistant Examiner*—Christopher Lee

(74) *Attorney, Agent, or Firm*—Skinner and Associates

(57) **CLAIM**

The ornamental design for a speculum, as shown and described.

**DESCRIPTION**

The design is for a speculum for a horse.

FIG. 1 is a perspective view of a speculum showing an embodiment of the design of this invention.

FIG. 2 is a top view thereof.

FIG. 3 is a bottom view thereof.

FIG. 4 is a right side view thereof.

FIG. 5 is a left side view thereof.

FIG. 6 is a front view thereof.

FIG. 7 is a back view thereof.

FIG. 8 is a back perspective view thereof.

FIG. 9 is a perspective view of a speculum, showing an alternative embodiment of the design.

FIG. 10 is a top view thereof.

FIG. 11 is a bottom view thereof.

FIG. 12 is a right side view thereof.

FIG. 13 is a left side view thereof.

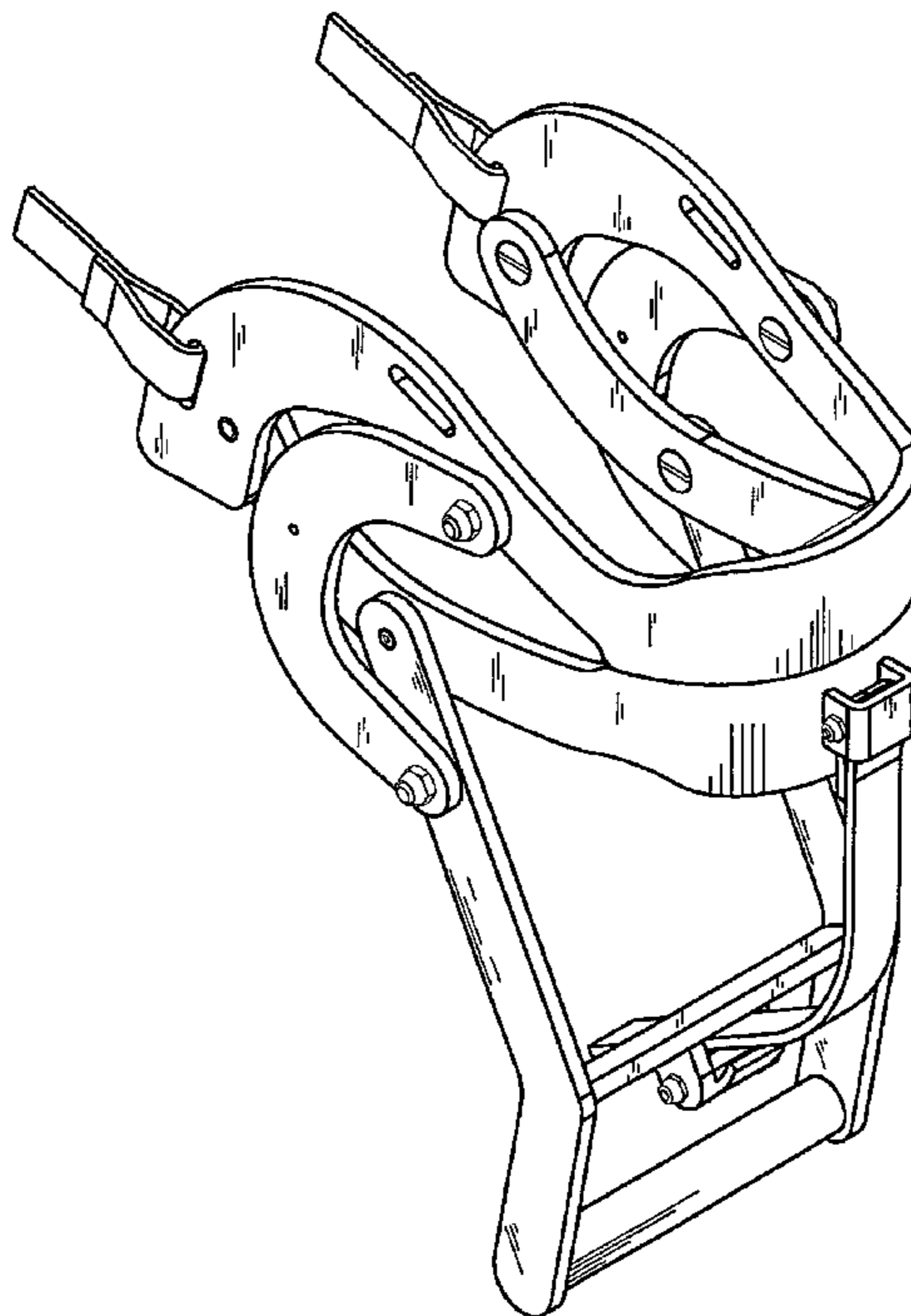
FIG. 14 is a front view thereof.

FIG. 15 is a back view thereof; and,

FIG. 16 is a back perspective view thereof.

The strap portions in broken lines in FIGS. 9–16 are shown for illustrative purposes only and form no part of the claimed design.

**1 Claim, 16 Drawing Sheets**



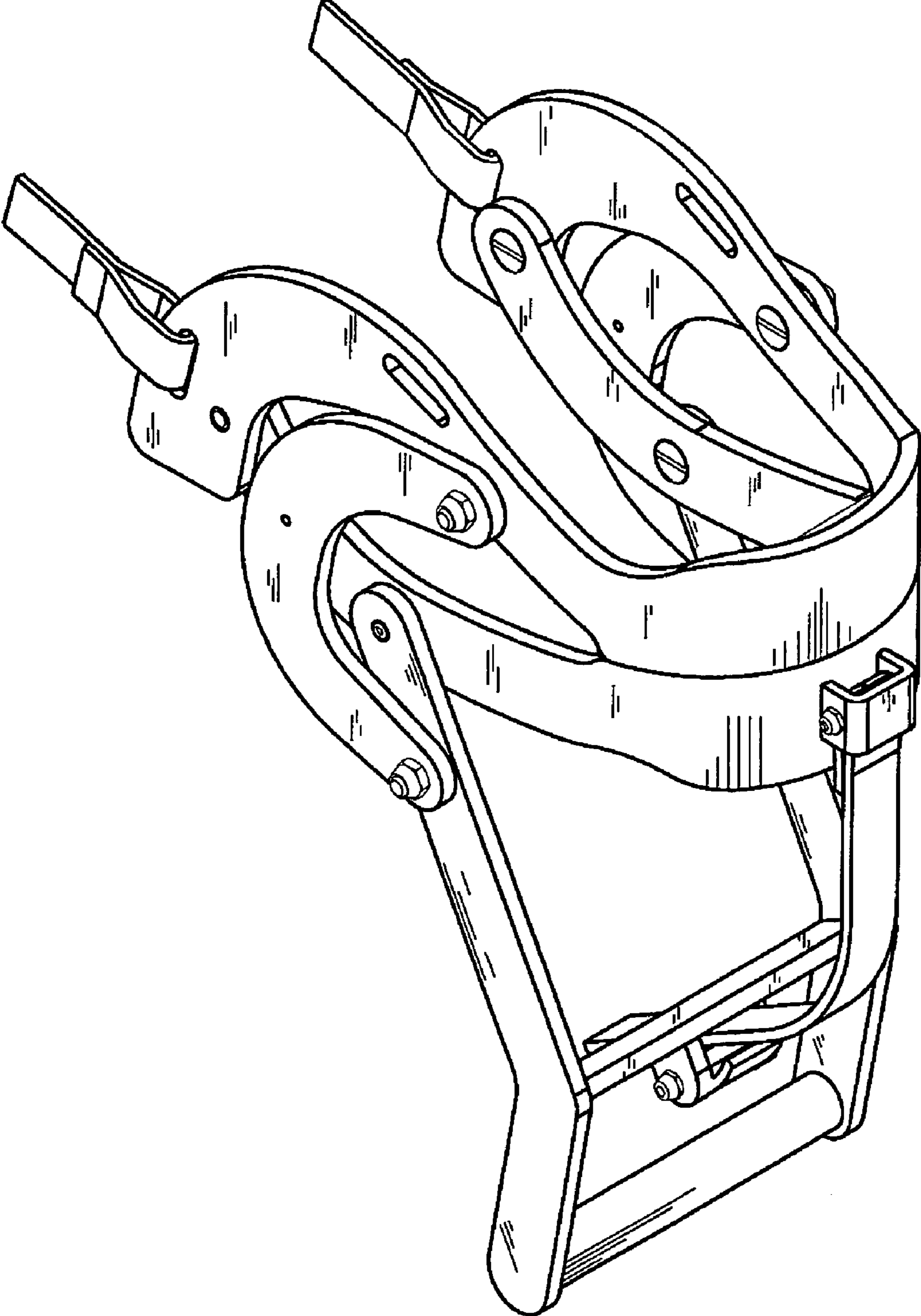


FIG. 1

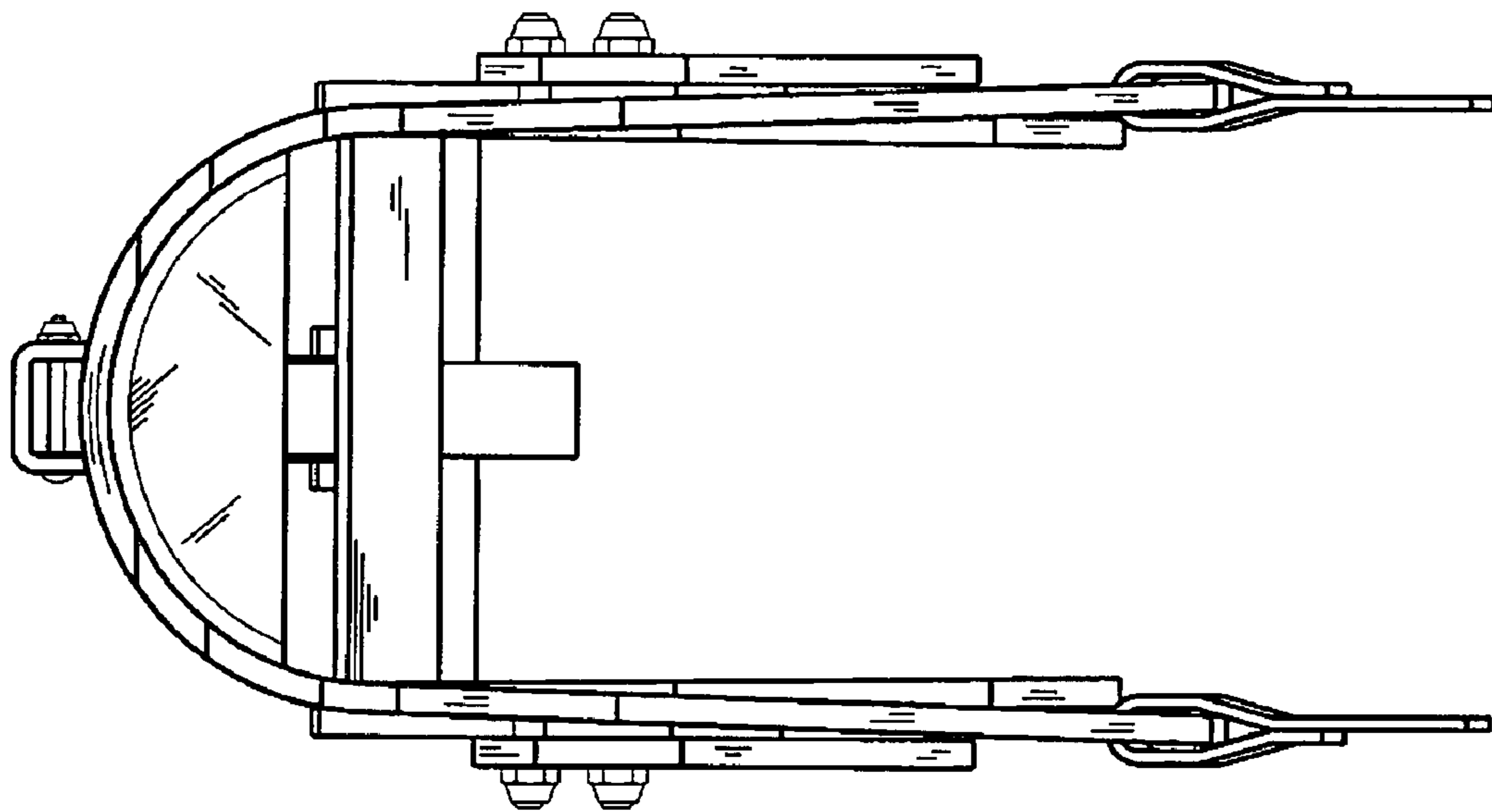


FIG. 2

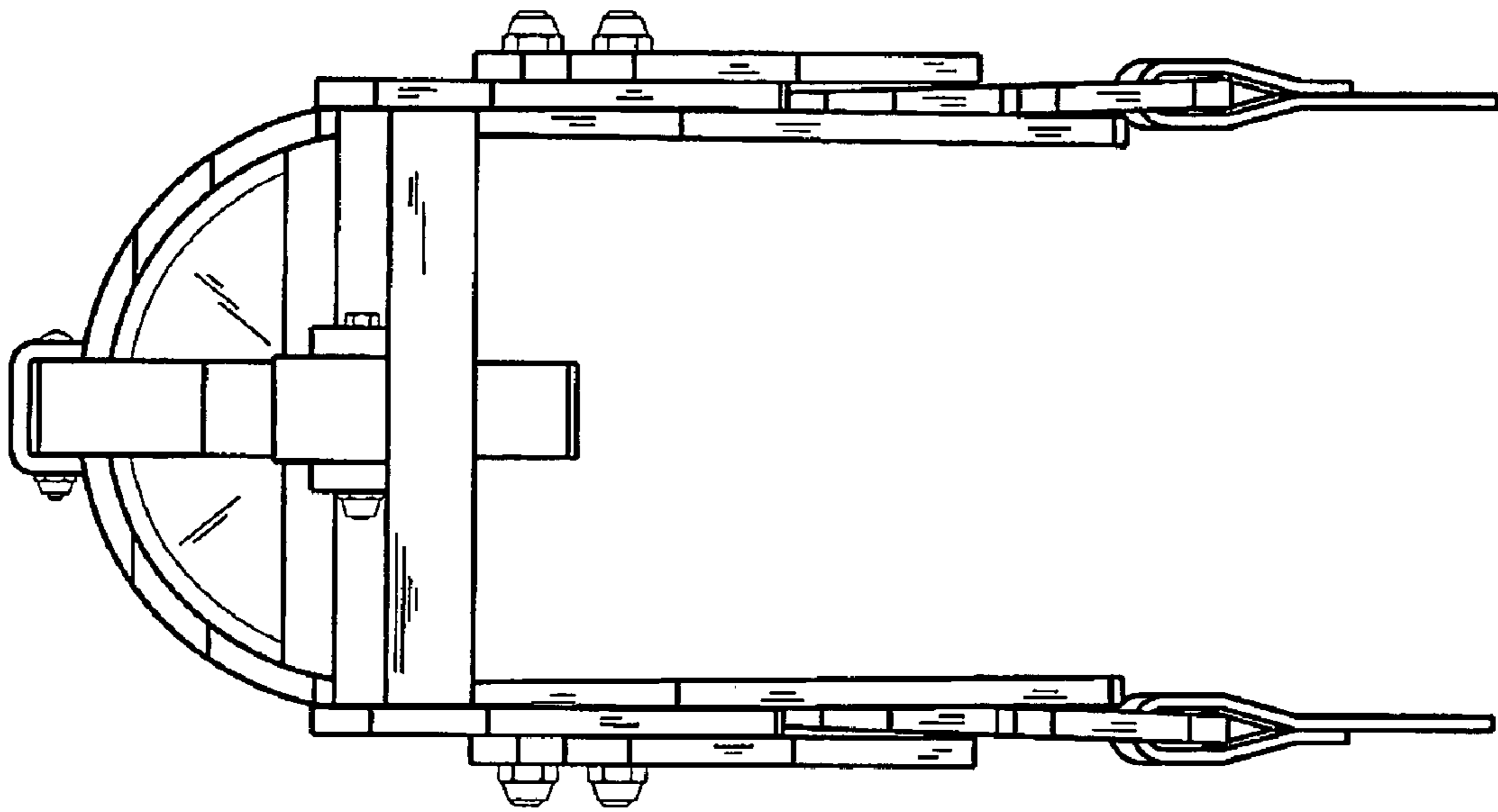


FIG. 3

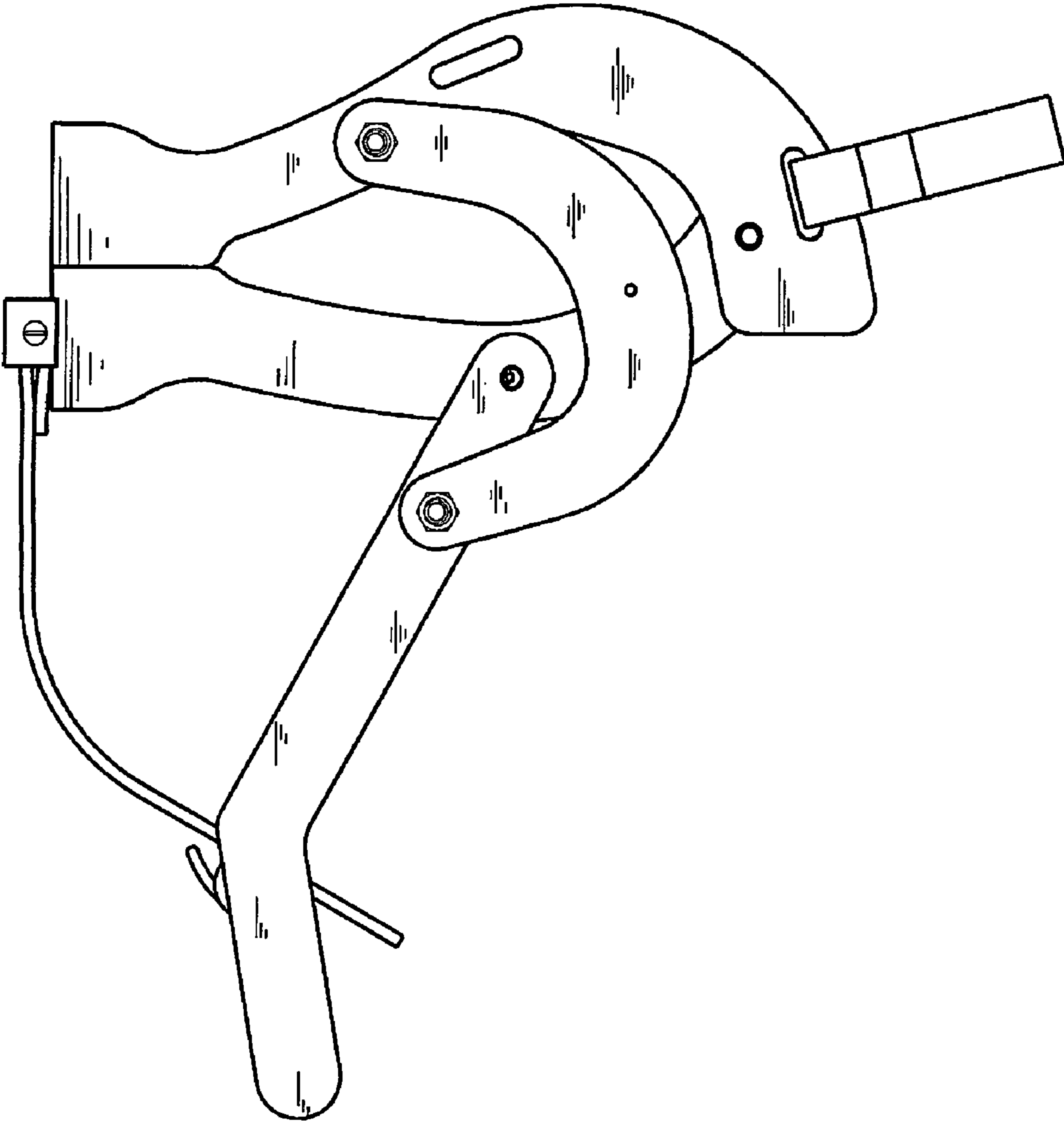


FIG. 4

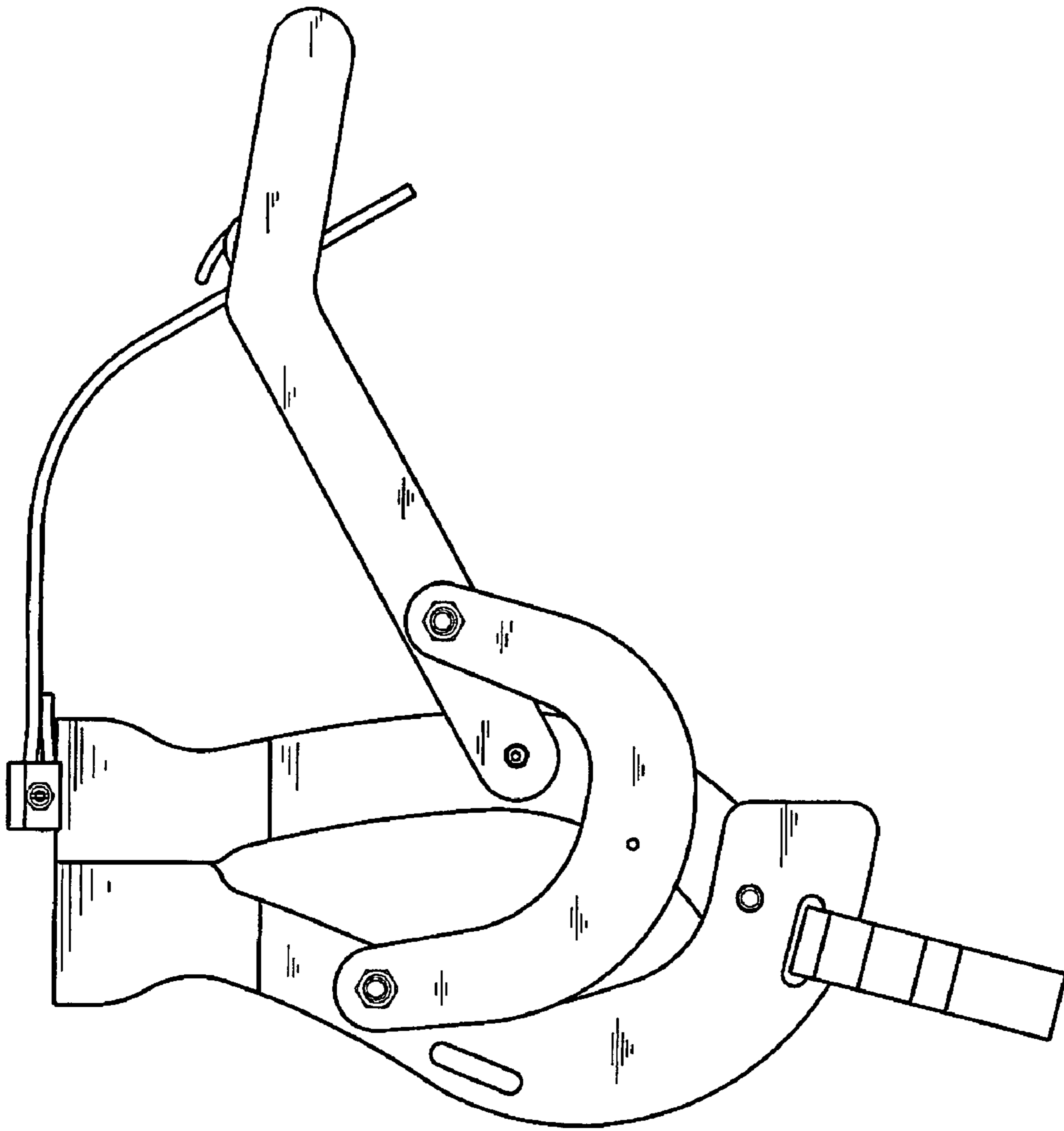


FIG. 5

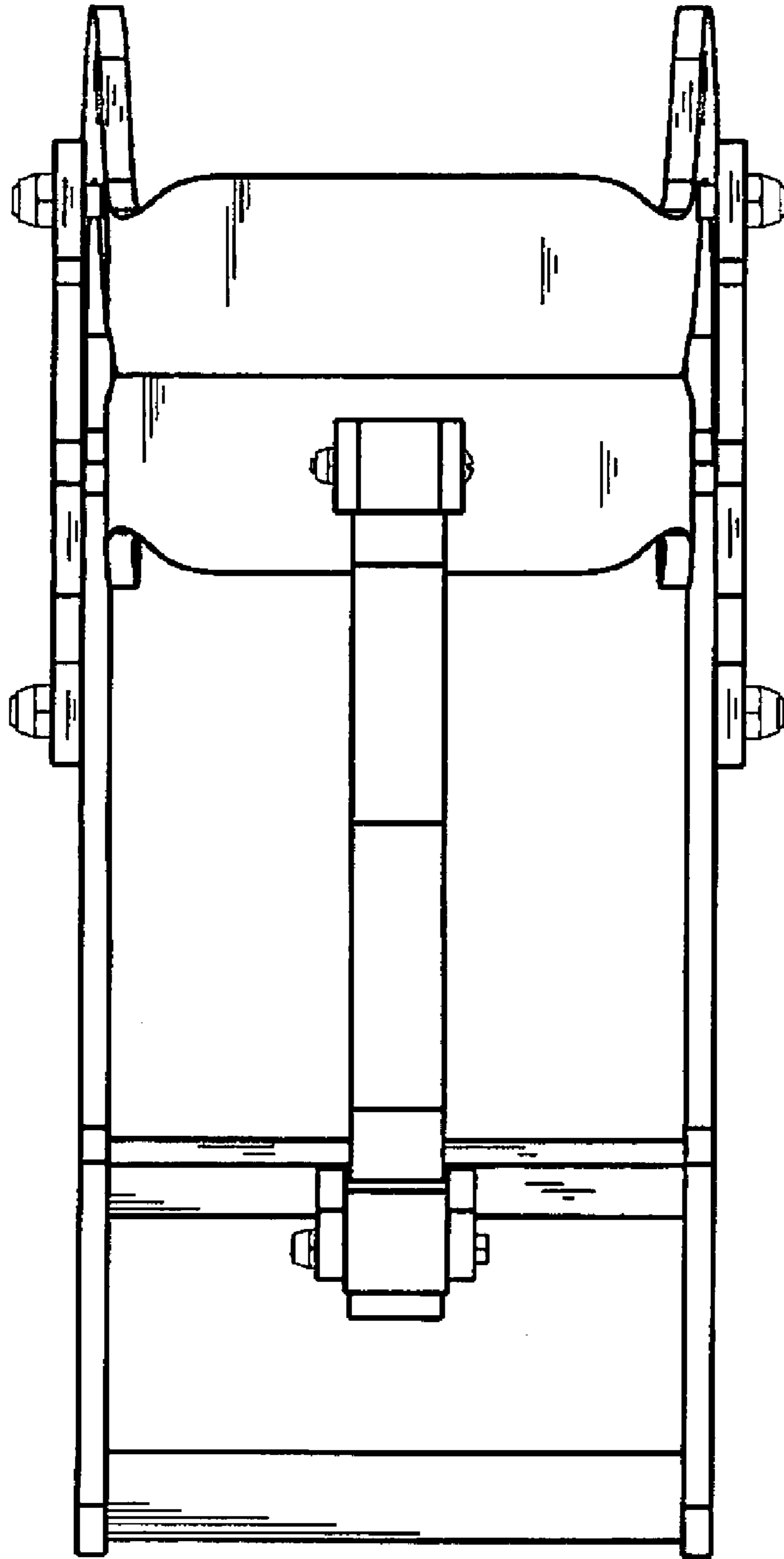


FIG. 6

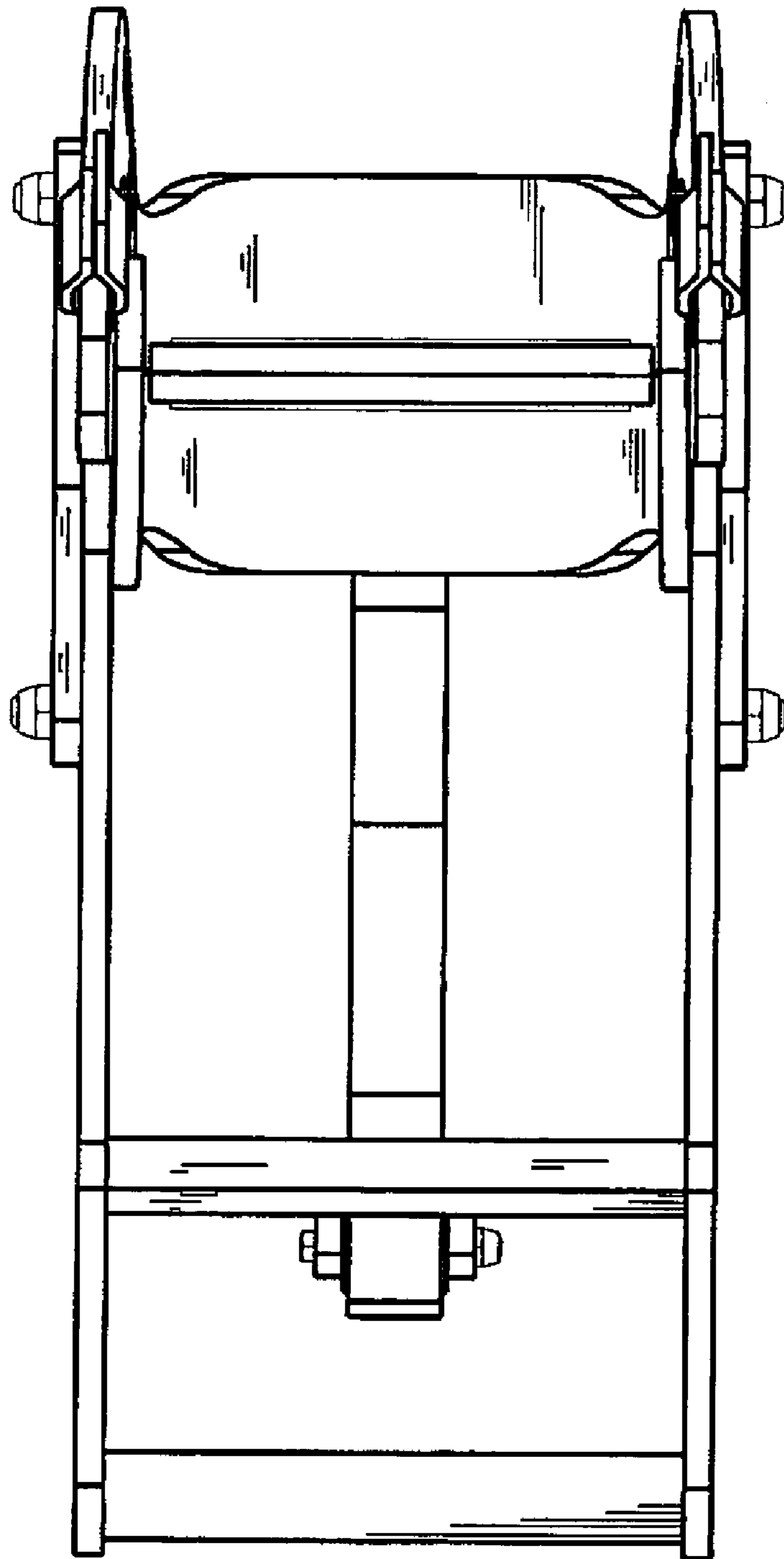


FIG. 7



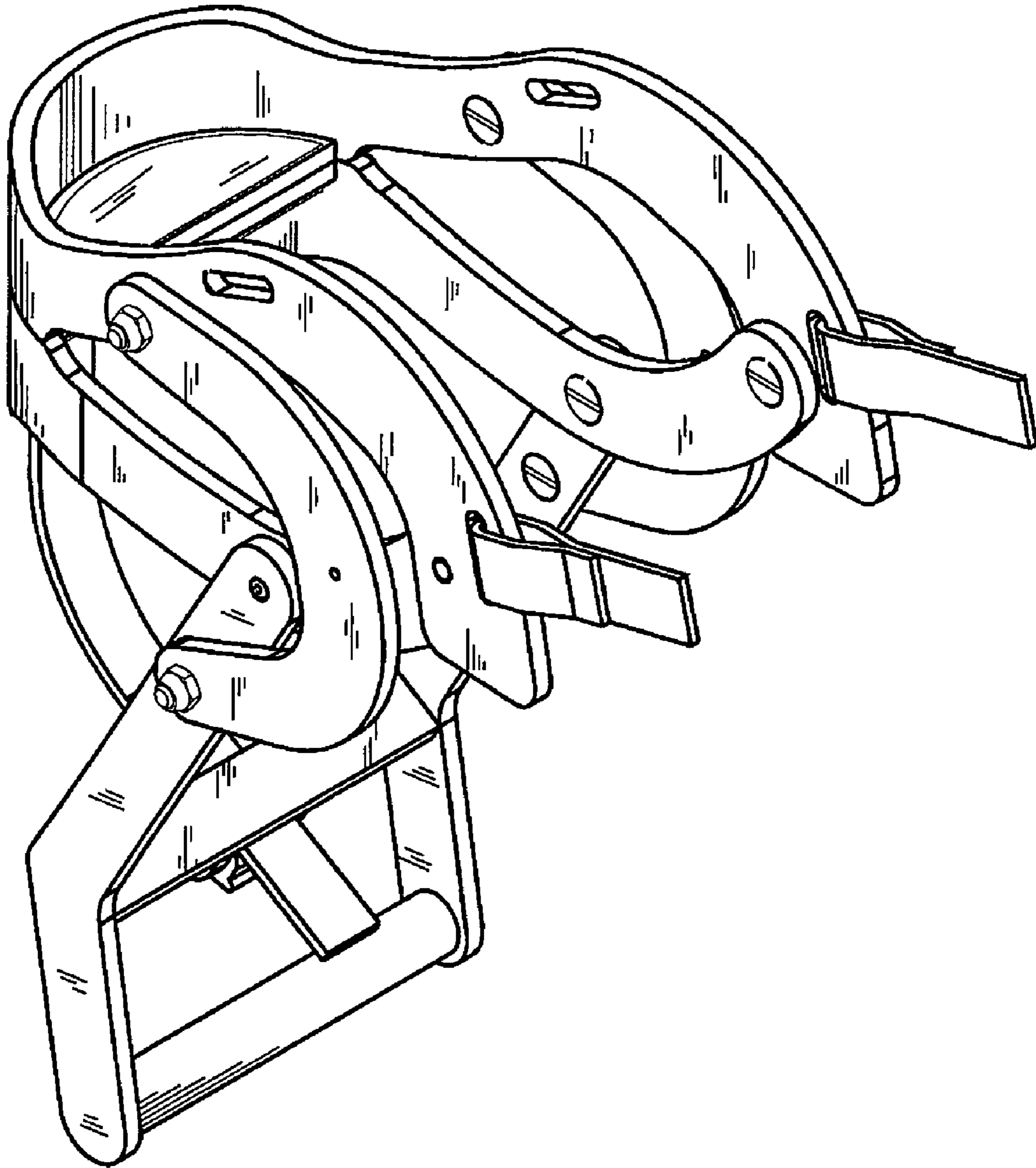


FIG. 8

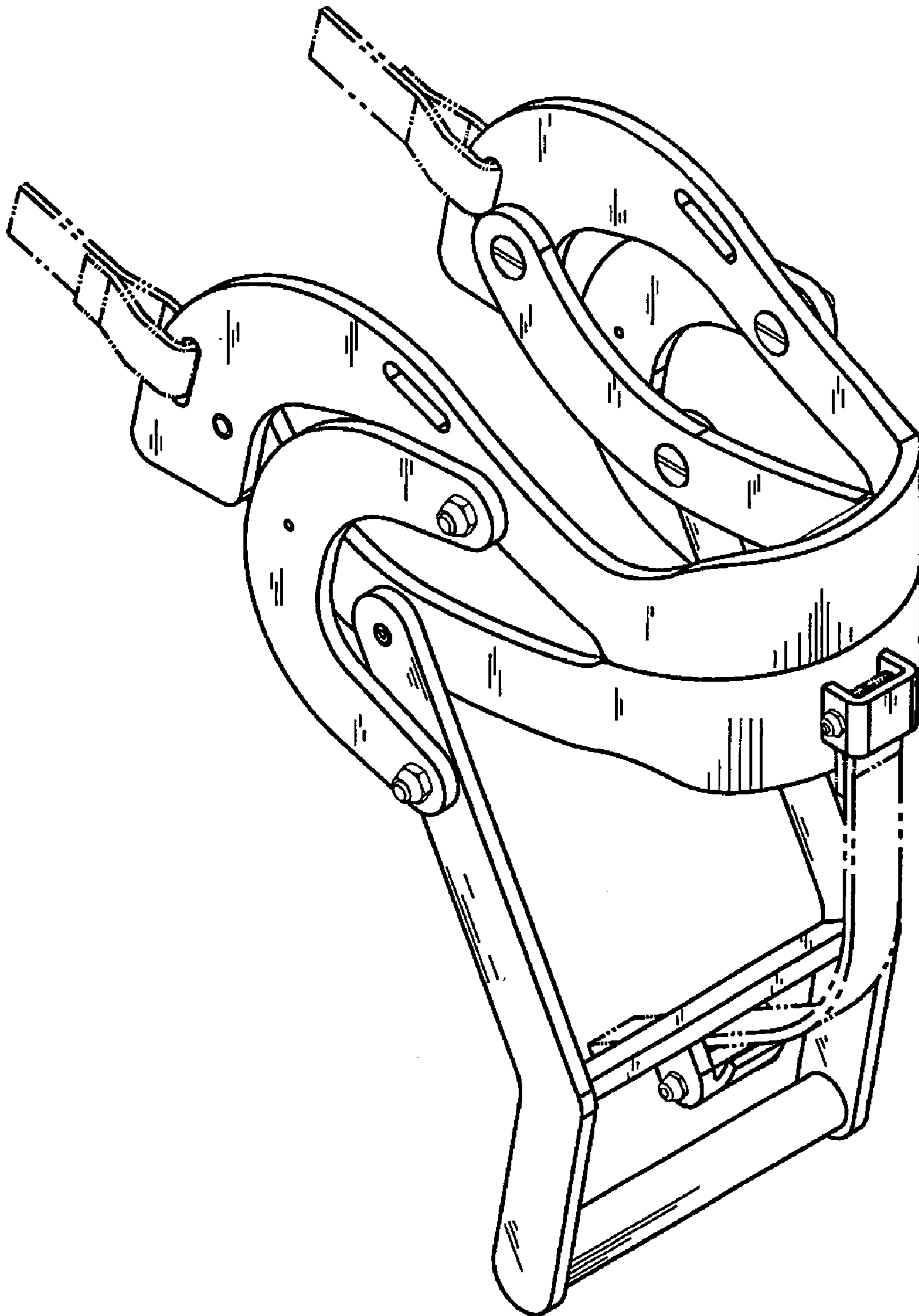


FIG. 9

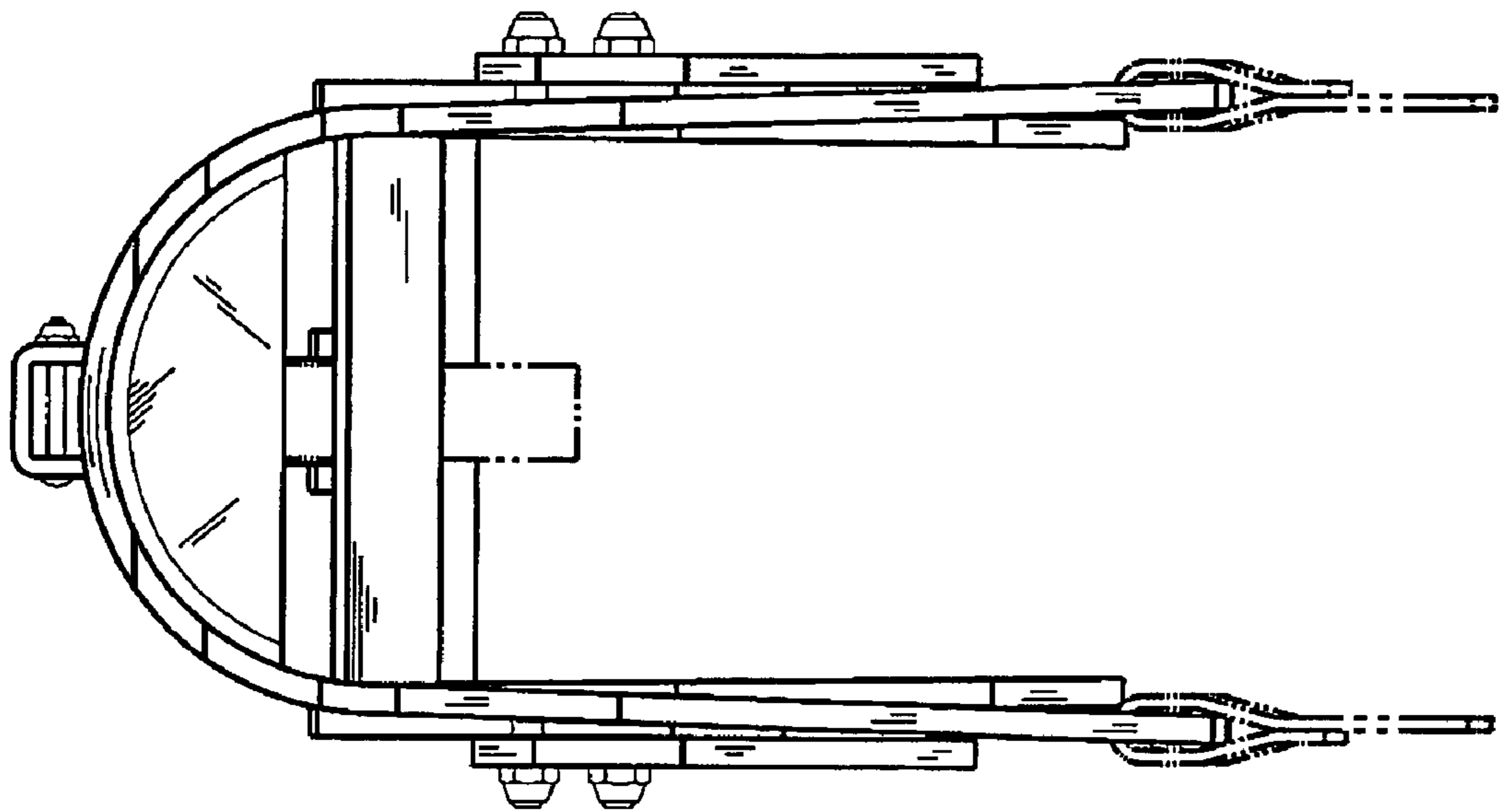


FIG. 10

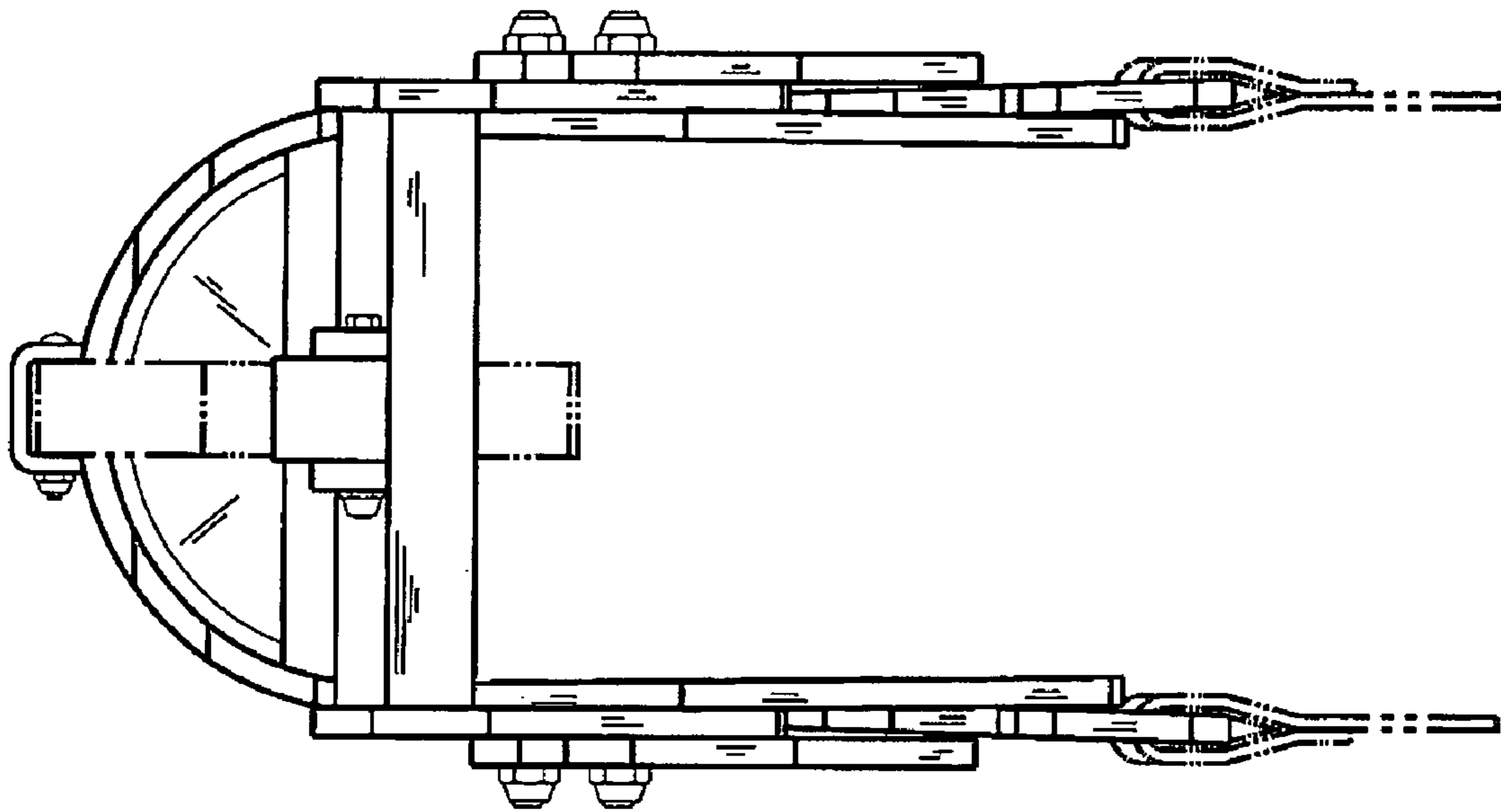


FIG. 11

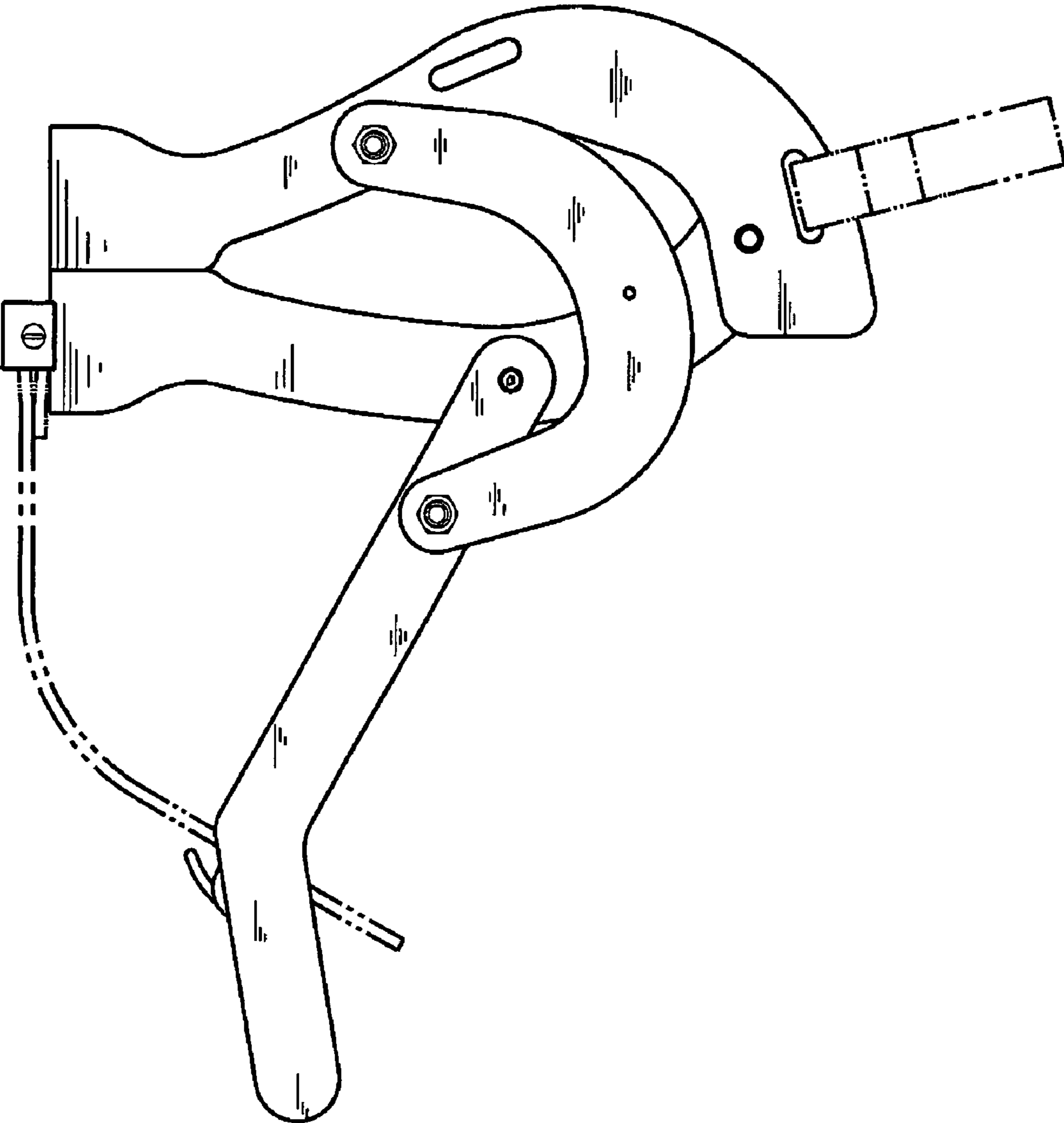


FIG. 12

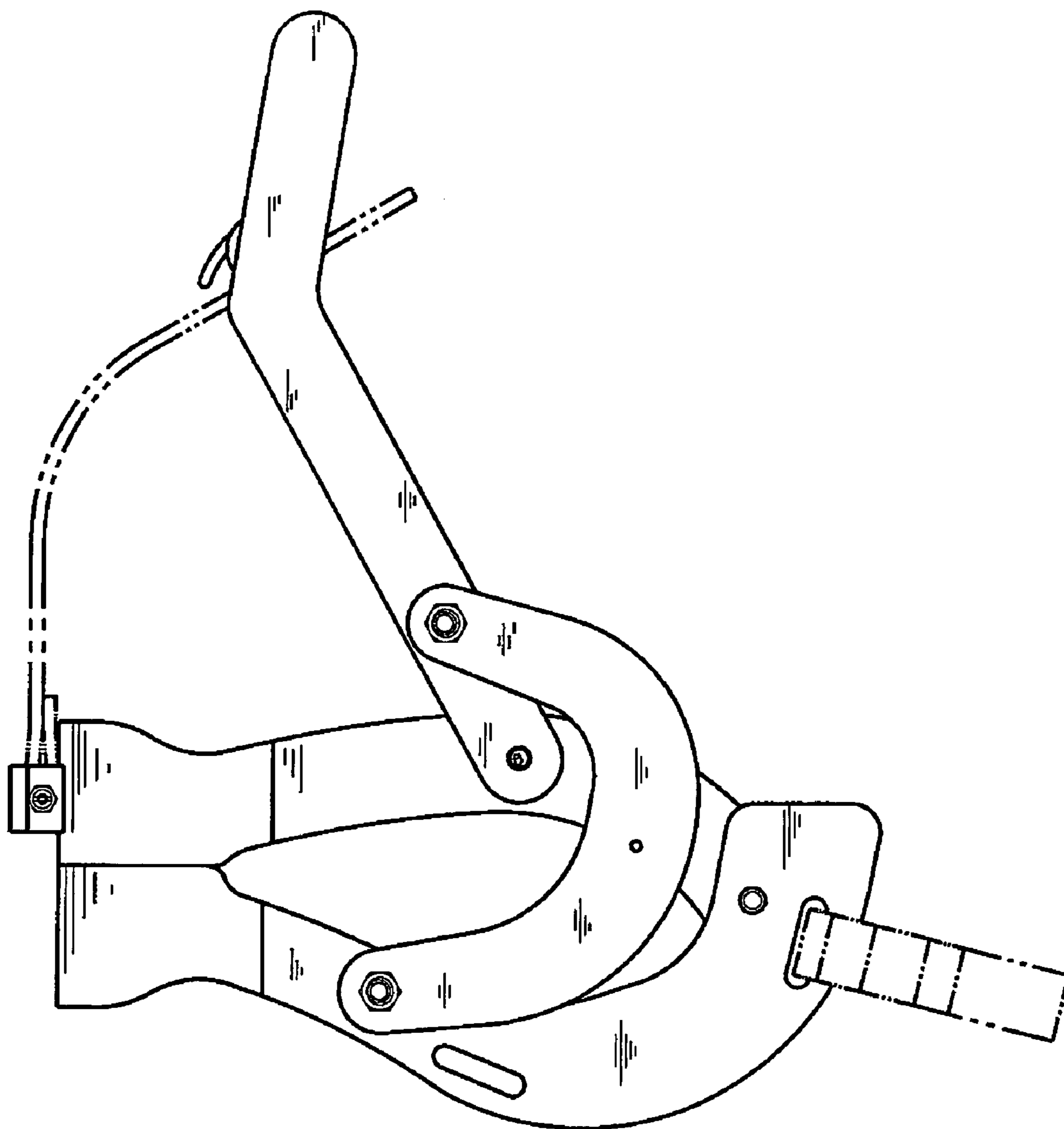


FIG. 13

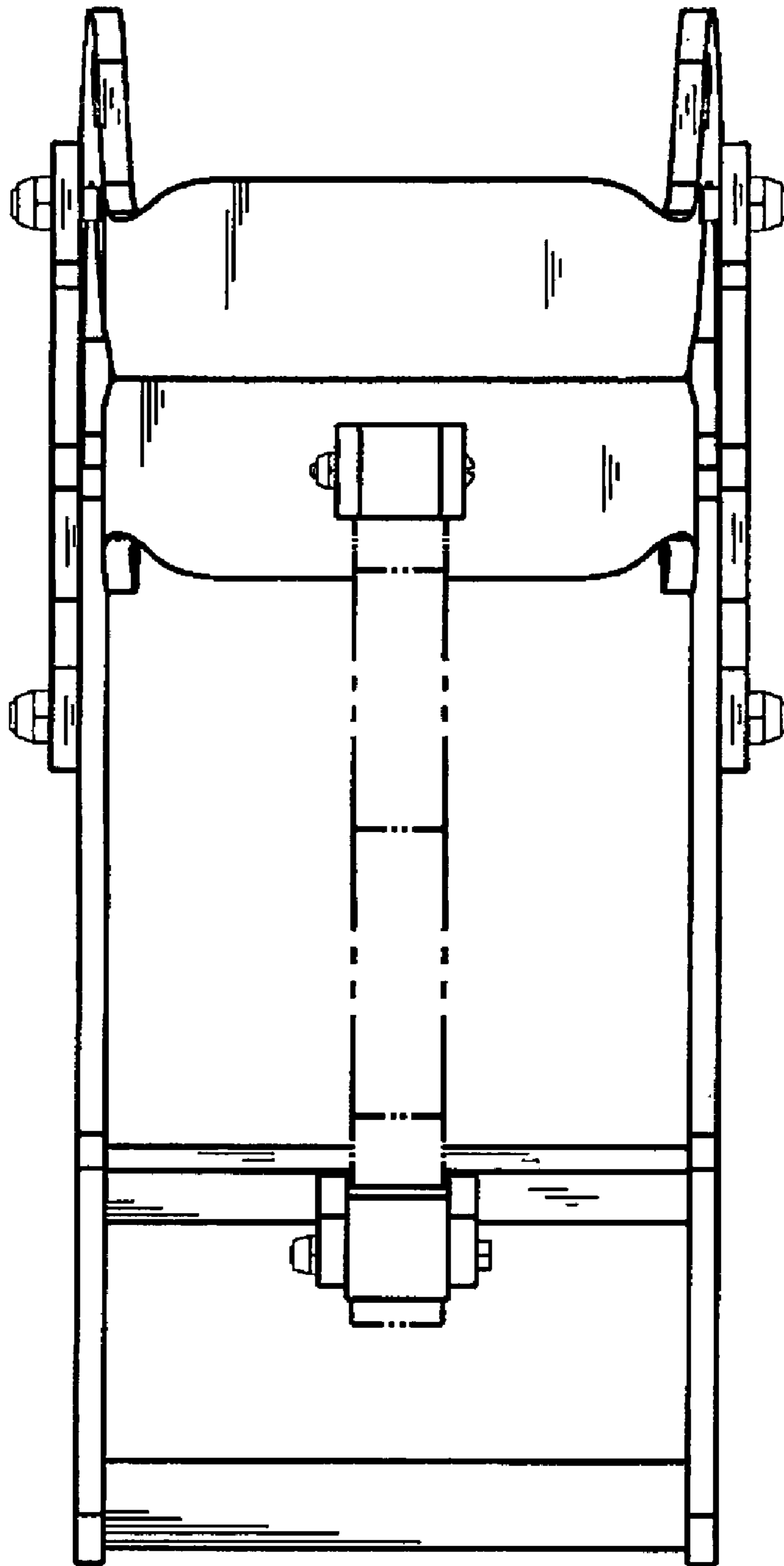


FIG. 14

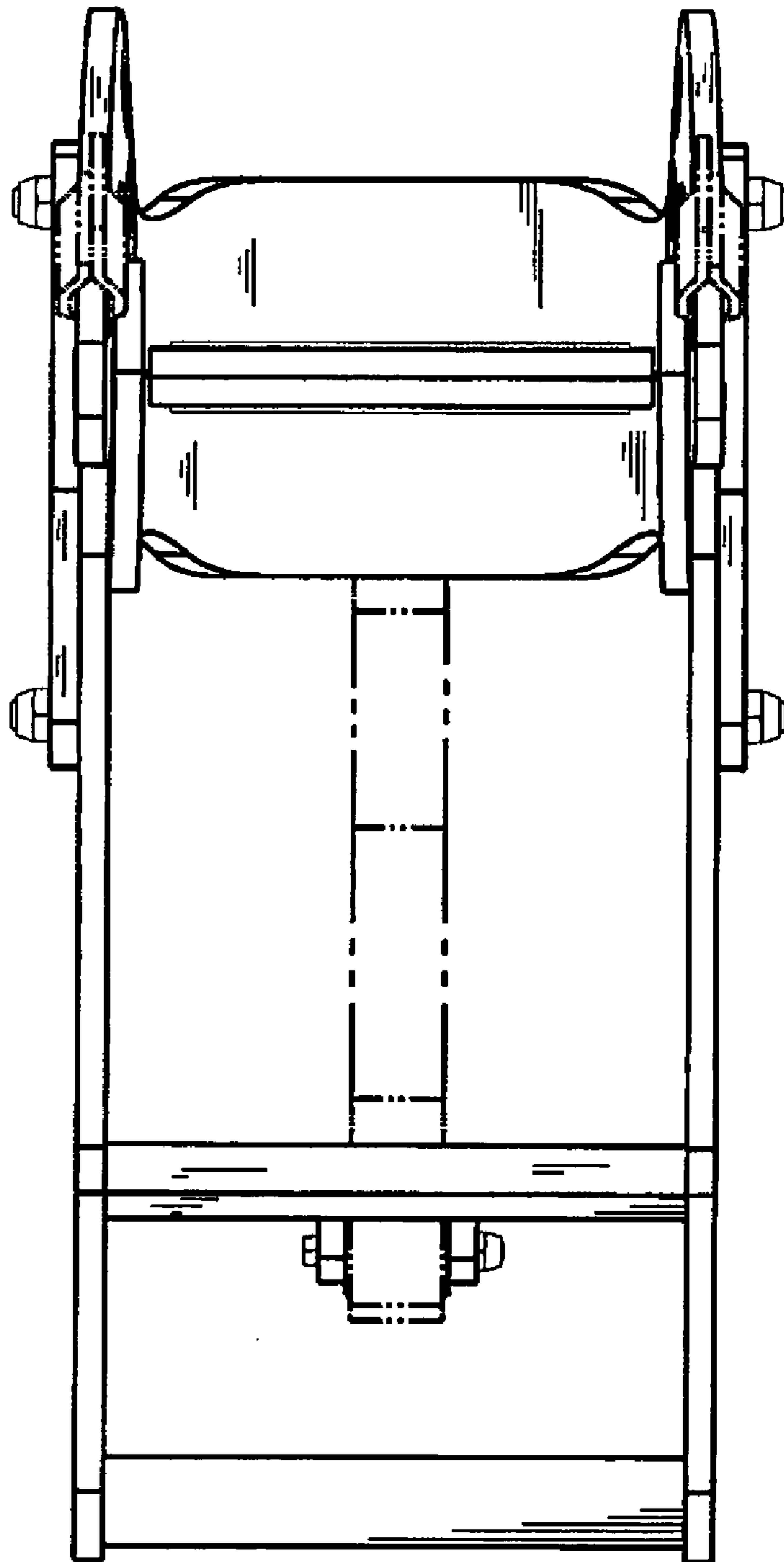


FIG. 15



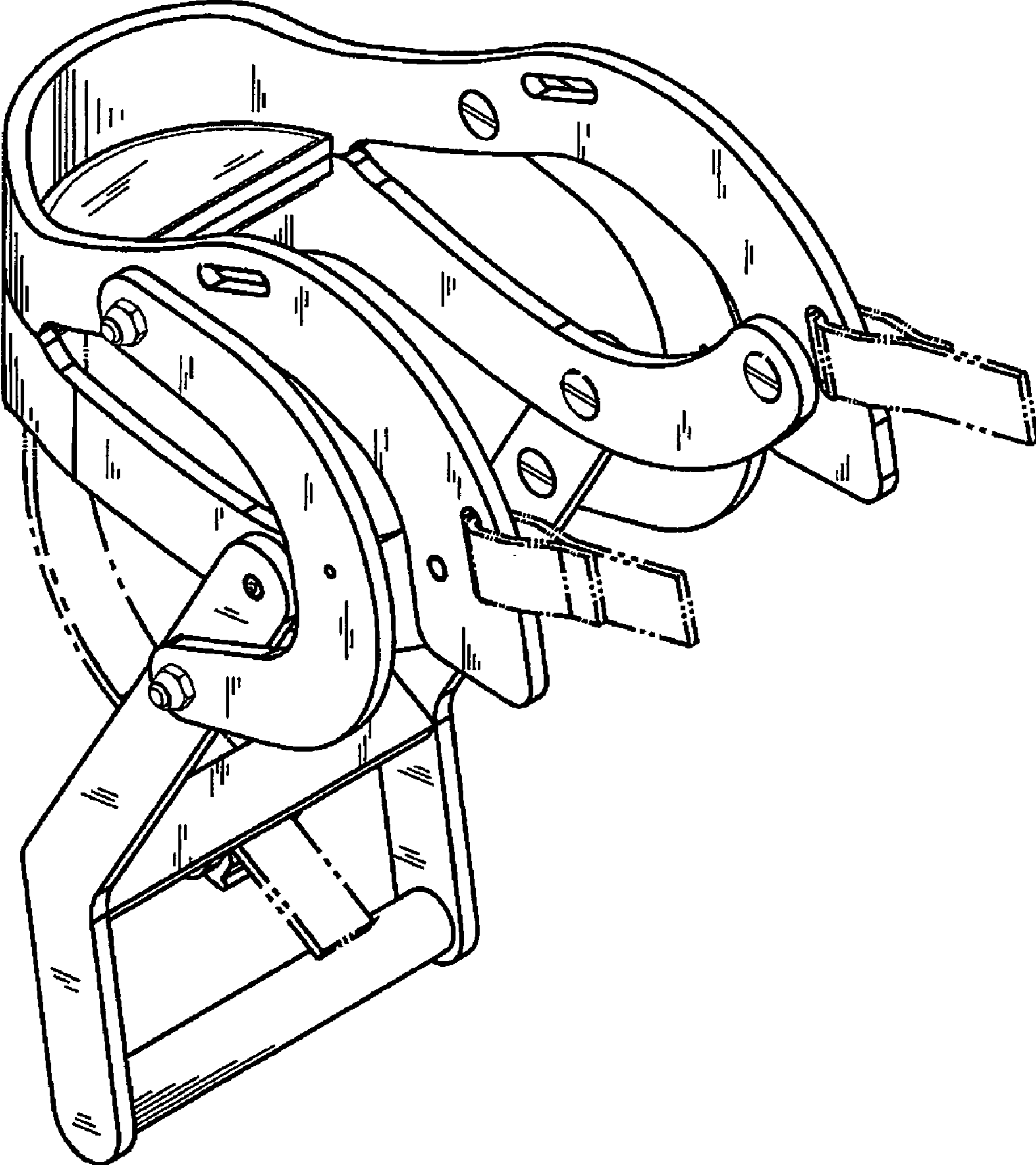


FIG. 16