

US00D571466S

(12) **United States Design Patent**
Amano et al.

(10) **Patent No.:** **US D571,466 S**
(45) **Date of Patent:** **** Jun. 17, 2008**

(54) **TREATMENT APPARATUS FOR ENDOSCOPE**

(75) Inventors: **Hirotooshi Amano**, Tokyo (JP); **Ryoko Yamazaki**, Tokyo (JP)

(73) Assignee: **Olympus Medical Systems Corp.**, Tokyo (JP)

(**) Term: **14 Years**

(21) Appl. No.: **29/273,791**

(22) Filed: **Mar. 13, 2007**

(30) **Foreign Application Priority Data**

Sep. 13, 2006 (JP) D2006-024501

(51) **LOC (8) Cl.** **24-02**

(52) **U.S. Cl.** **D24/133; D24/138**

(58) **Field of Classification Search** D24/133,
D24/138; 600/160, 130, 132, 110, 156, 158,
600/167; 606/46; 607/101

See application file for complete search history.

(56) **References Cited**

U.S. PATENT DOCUMENTS

D533,663 S * 12/2006 Nakajima et al. D24/138

D536,449 S * 2/2007 Nakajima et al. D24/138

* cited by examiner

Primary Examiner—Ian Simmons

Assistant Examiner—Christopher Lee

(74) *Attorney, Agent, or Firm*—Scully, Scott, Murphy & Presser, P.C.

(57) **CLAIM**

The ornamental design for a treatment apparatus for endoscope, as shown and described.

DESCRIPTION

FIG. 1 is a perspective view of a treatment apparatus for endoscope;

FIG. 2 is an enlarged fragmentary front view thereof;

FIG. 3 is an enlarged fragmentary rear view thereof;

FIG. 4 is an enlarged fragmentary top plan view thereof;

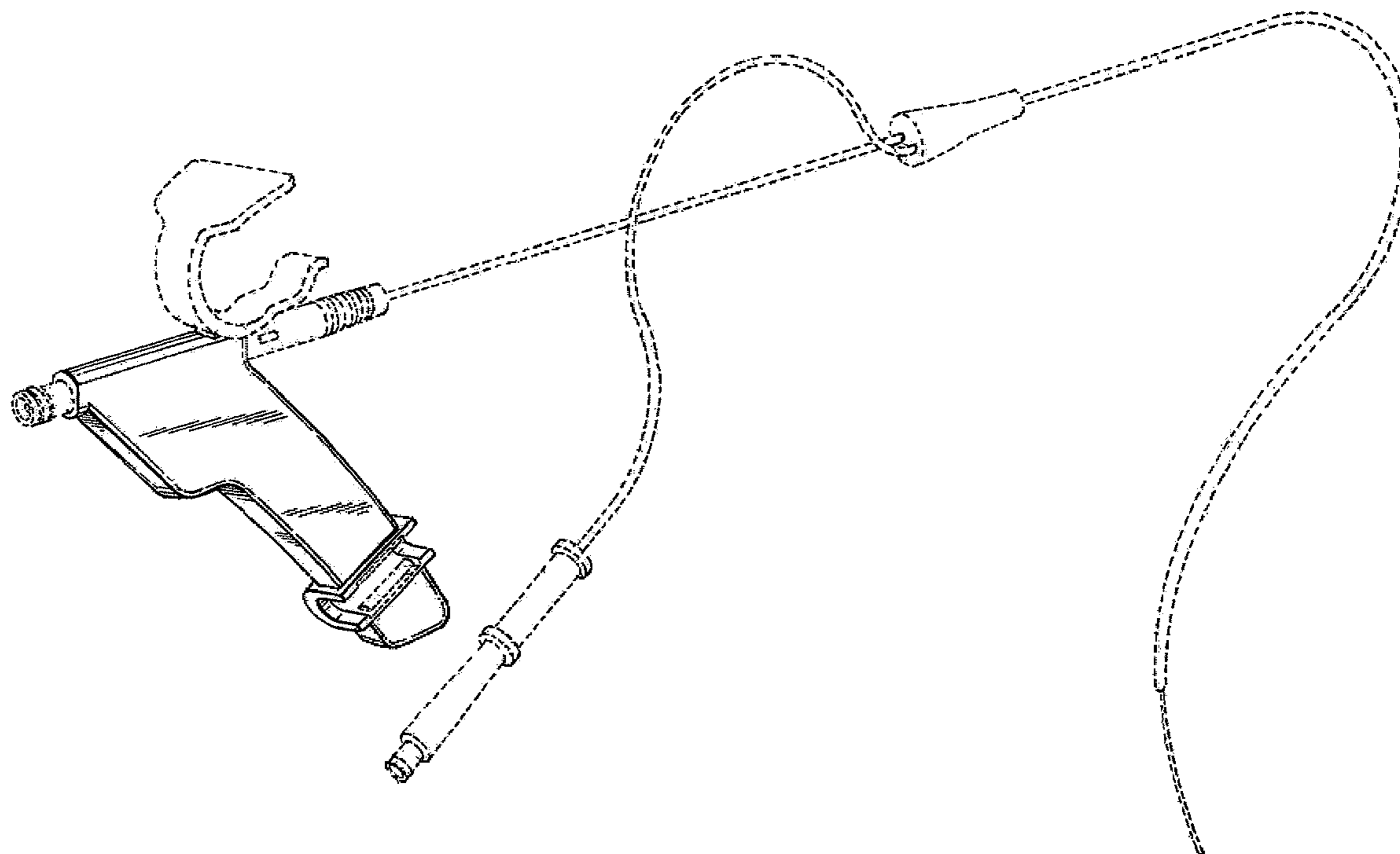
FIG. 5 is an enlarged fragmentary bottom plan view thereof;

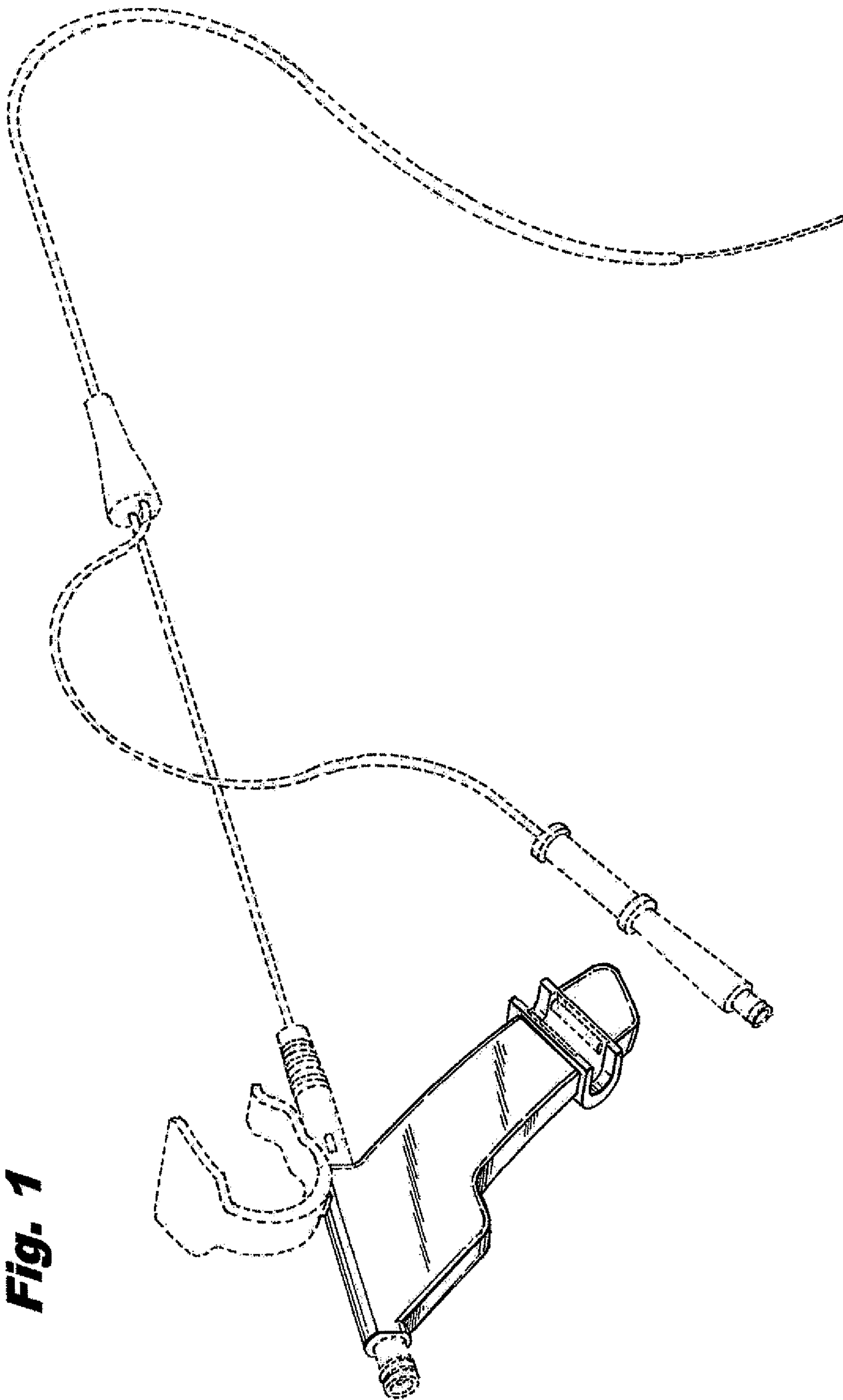
FIG. 6 is an enlarged fragmentary left side view thereof; and,

FIG. 7 is an enlarged fragmentary right side view thereof.

The portion of the article shown in broken lines is for illustrative purpose only and forms no part of the claimed design.

1 Claim, 3 Drawing Sheets





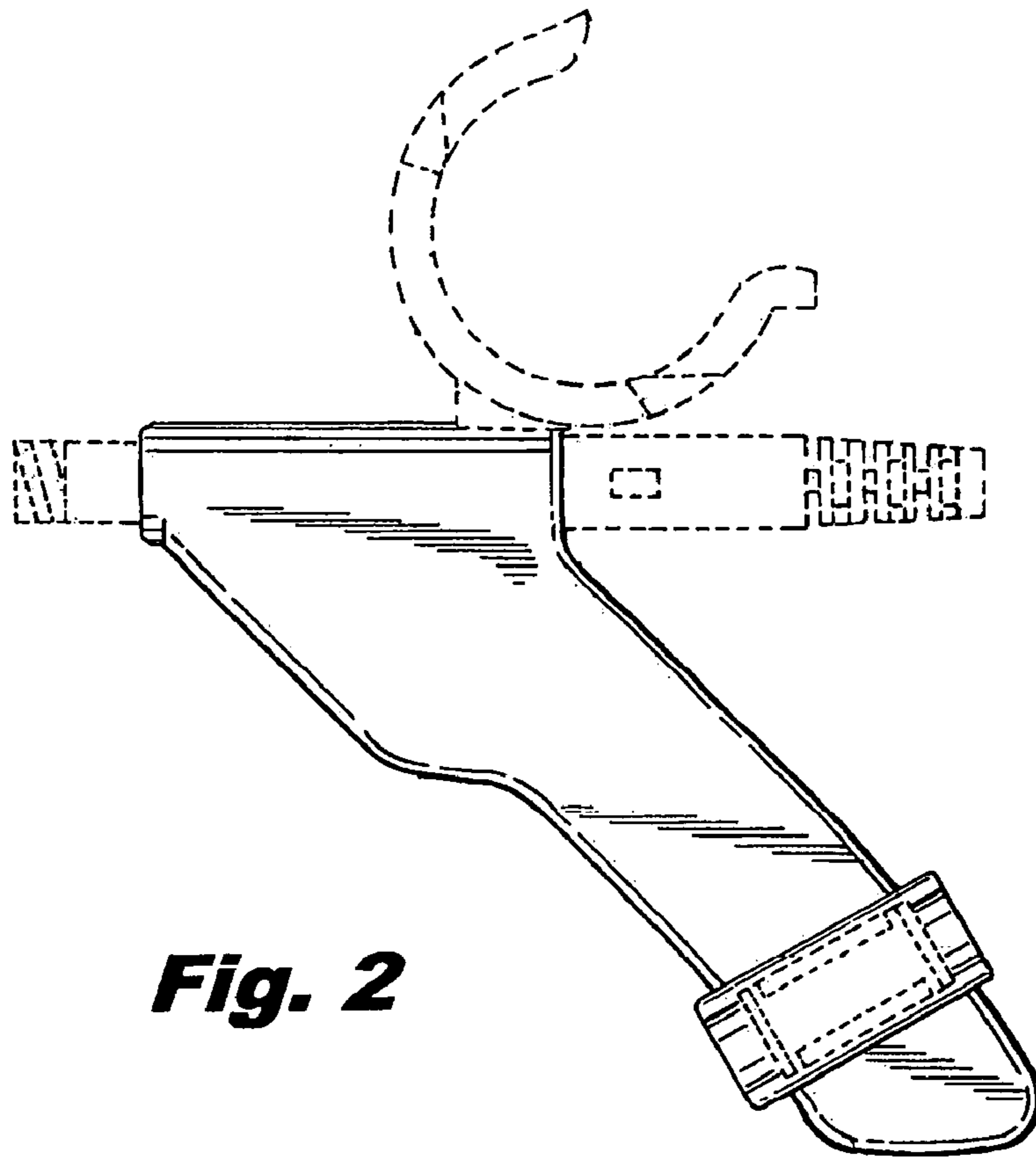


Fig. 2

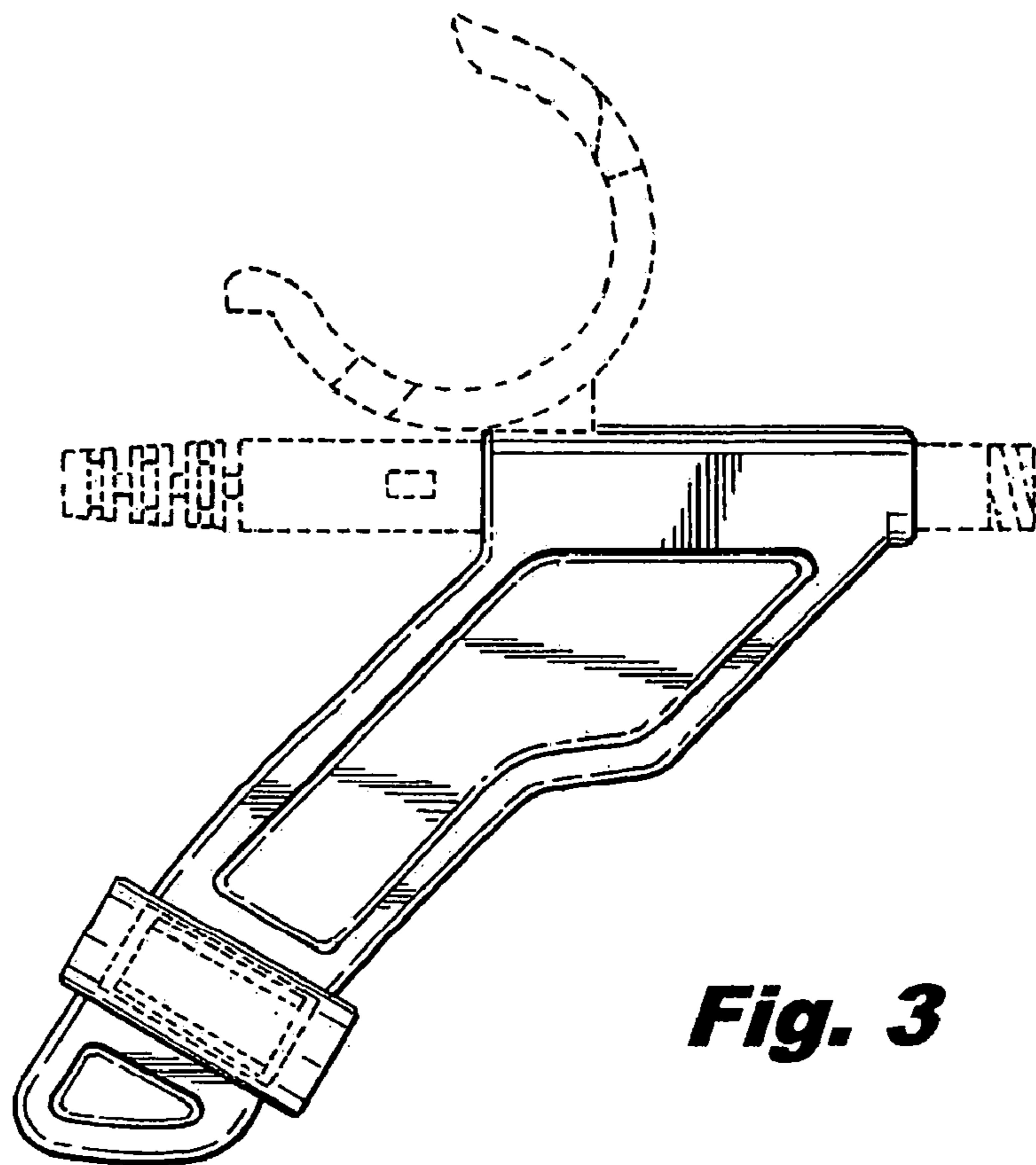


Fig. 3

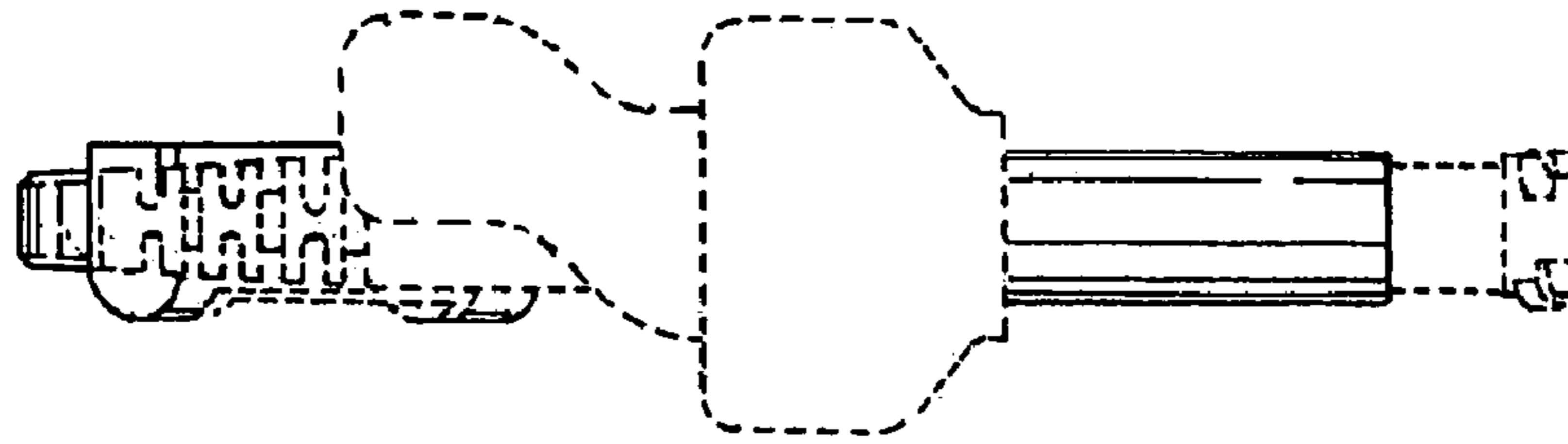


Fig. 4

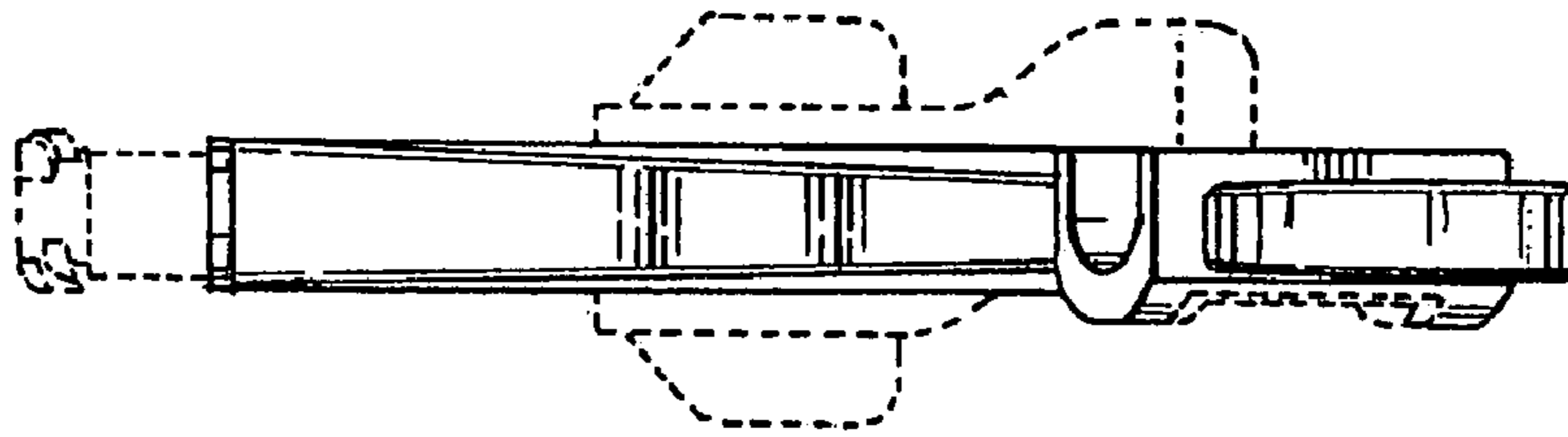


Fig. 5

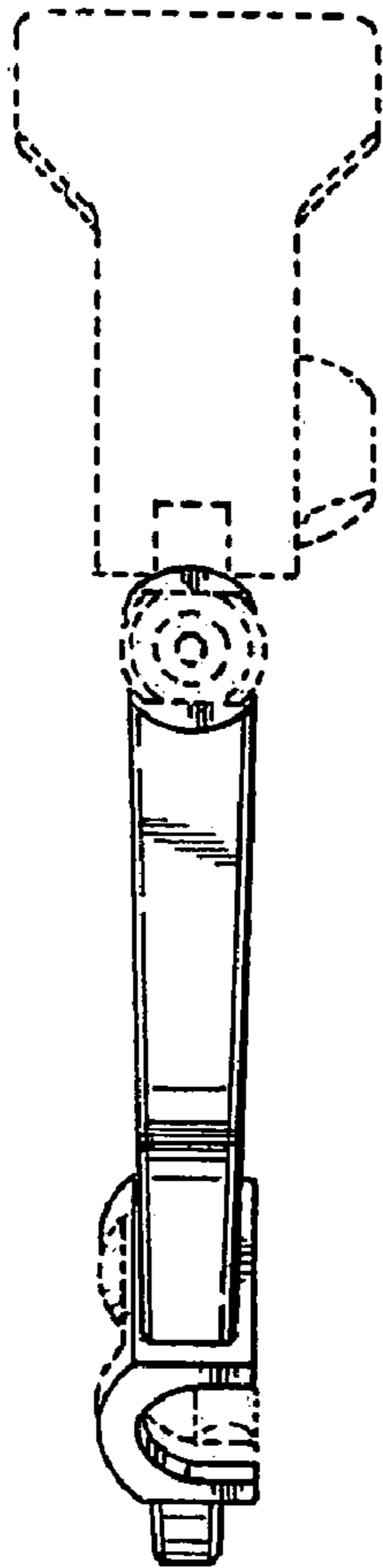


Fig. 6

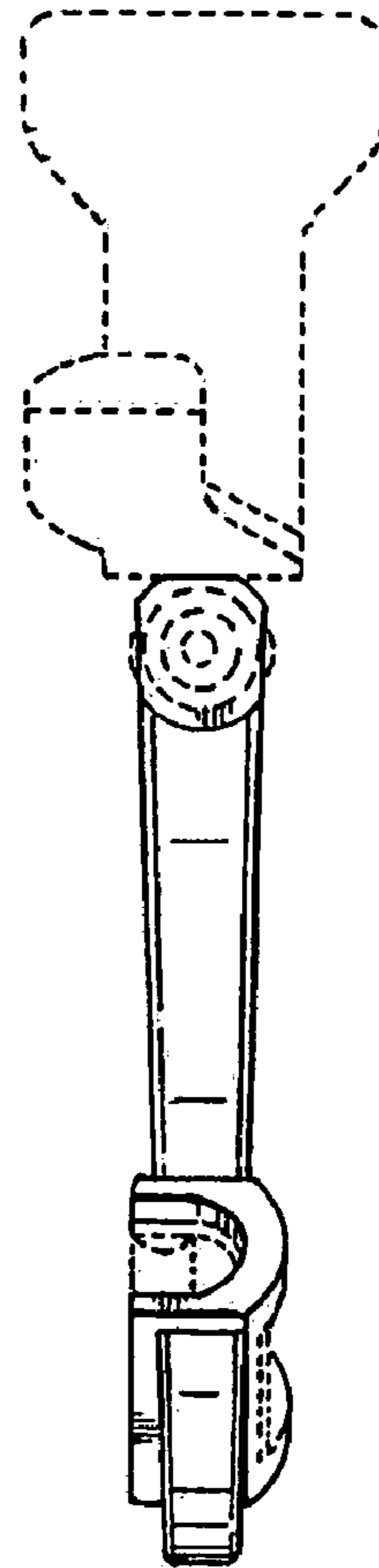


Fig. 7