



US00D571465S

(12) **United States Design Patent**
Koros et al.

(10) **Patent No.:** **US D571,465 S**
(45) **Date of Patent:** **** Jun. 17, 2008**

(54) **SUTURING GUIDE**

(76) Inventors: **Tibor B. Koros**, 610 Finn Ave.,
Moorpark, CA (US) 93021; **Gabriel J.
Koros**, 610 Finn Ave., Moorpark, CA
(US) 93021

(**) Term: **14 Years**

(21) Appl. No.: **29/271,927**

(22) Filed: **Jan. 30, 2007**

(51) **LOC (8) Cl.** **24-02**

(52) **U.S. Cl.** **D24/133; D24/145**

(58) **Field of Classification Search** D24/145-147,
D24/133, 140, 135, 141; 606/148, 139, 31,
606/167, 144-147; 600/146; 604/313, 289,
604/290, 95.02

See application file for complete search history.

(56) **References Cited**

U.S. PATENT DOCUMENTS

D353,002	S	*	11/1994	Tovey	D24/145
D359,355	S	*	6/1995	Ferragamo et al.	D24/145
D360,687	S	*	7/1995	Ferragamo et al.	D24/145
D360,688	S	*	7/1995	Ferragamo et al.	D24/145
5,496,335	A	*	3/1996	Thomason et al.	606/148
D393,311	S	*	4/1998	Kirsner	D24/141
5,908,428	A	*	6/1999	Scirica et al.	606/139
6,010,514	A	*	1/2000	Burney et al.	606/144
6,451,031	B1	*	9/2002	Kontos	606/144

2003/0171760	A1	*	9/2003	Gambale	606/139
2004/0267270	A1	*	12/2004	Jacobs et al.	606/86
2006/0229642	A1	*	10/2006	Oberlaender et al.	606/148
2007/0219566	A1	*	9/2007	Gambale	606/142
2007/0225736	A1	*	9/2007	Zeiner et al.	606/148
2008/0027468	A1	*	1/2008	Fenton et al.	606/144

* cited by examiner

Primary Examiner—Ian Simmons

Assistant Examiner—Wan Laymon

(57) **CLAIM**

The ornamental design for a suturing guide, substantially as shown and described.

DESCRIPTION

FIG. 1 is an isometric view of a suturing guide showing our new design, the needle shown in broken lines for illustrative purpose only and forms no part of the claimed design;

FIG. 2 is a front elevational view thereof;

FIG. 3 is a right side elevational view, the left side is identical thereof;

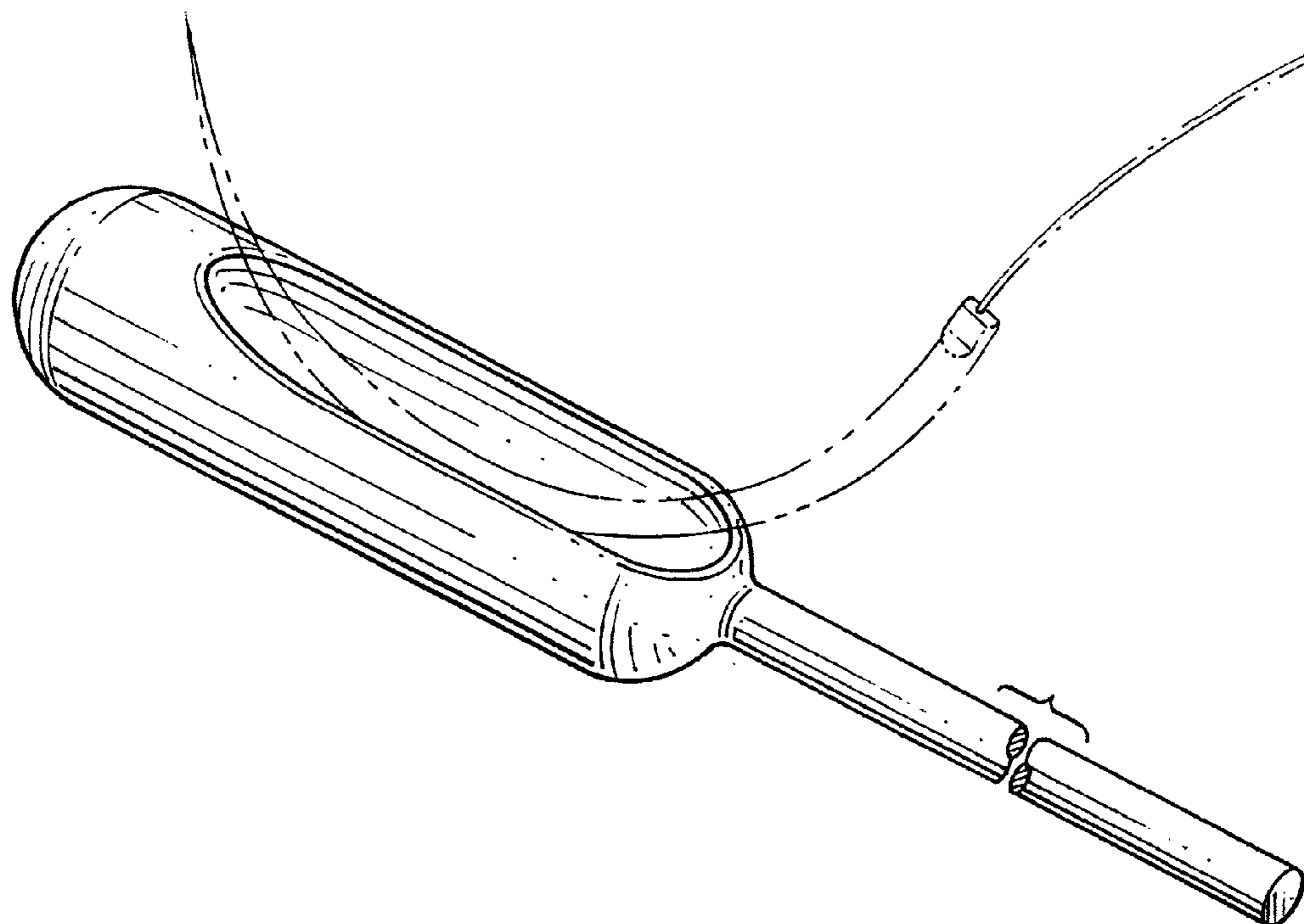
FIG. 4 is a rear elevational view thereof;

FIG. 5 is a top plan view thereof; and,

FIG. 6 is a bottom plan view thereof.

It is understood that a suturing guide tube shown broken away in the middle to indicate indeterminate length.

1 Claim, 2 Drawing Sheets



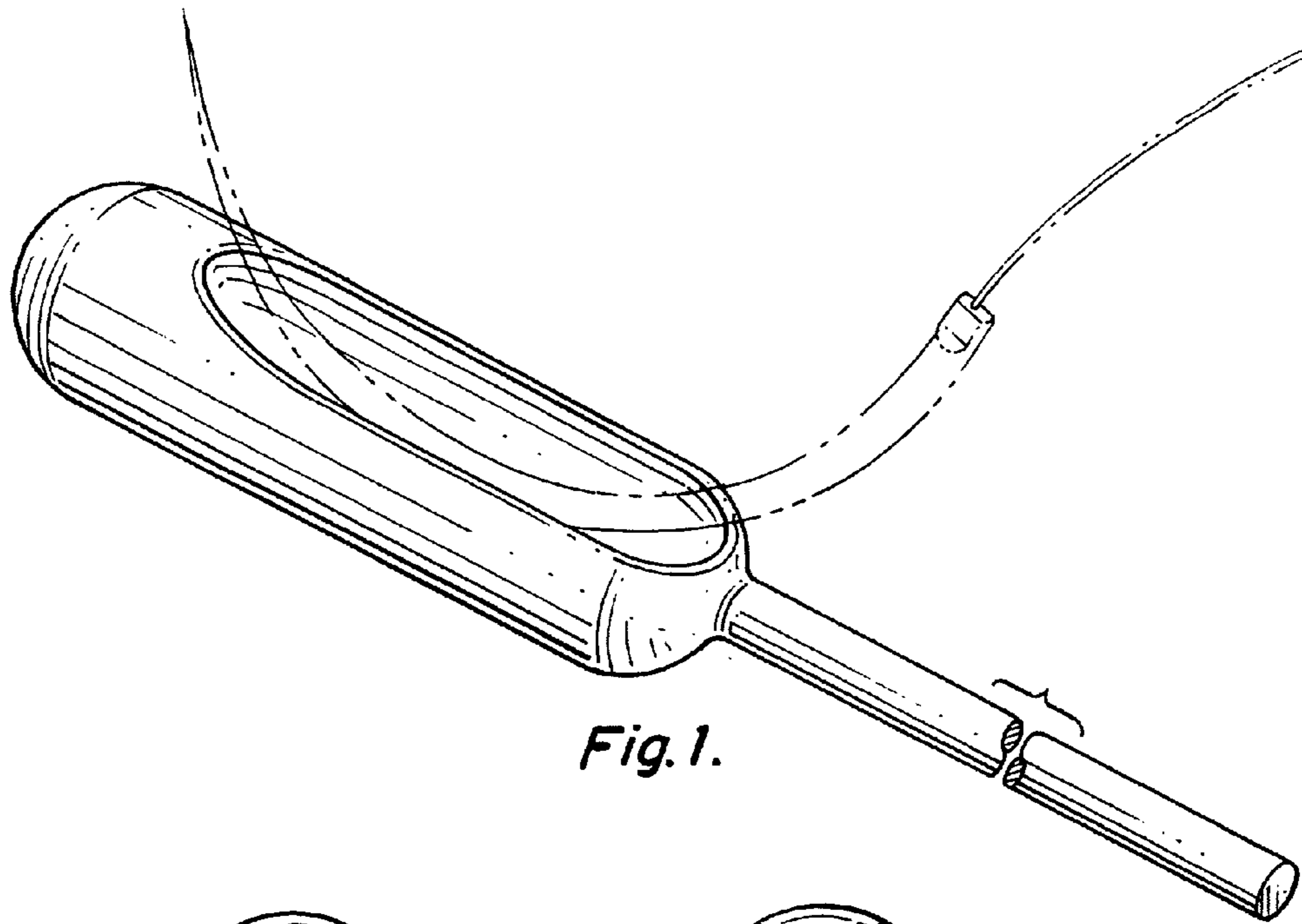


Fig. 1.

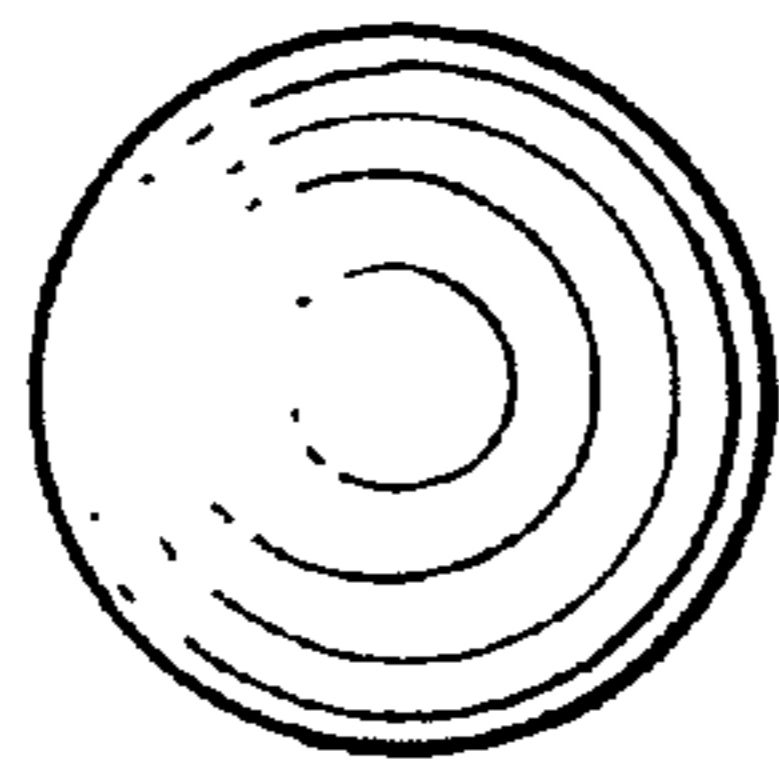


Fig. 2.

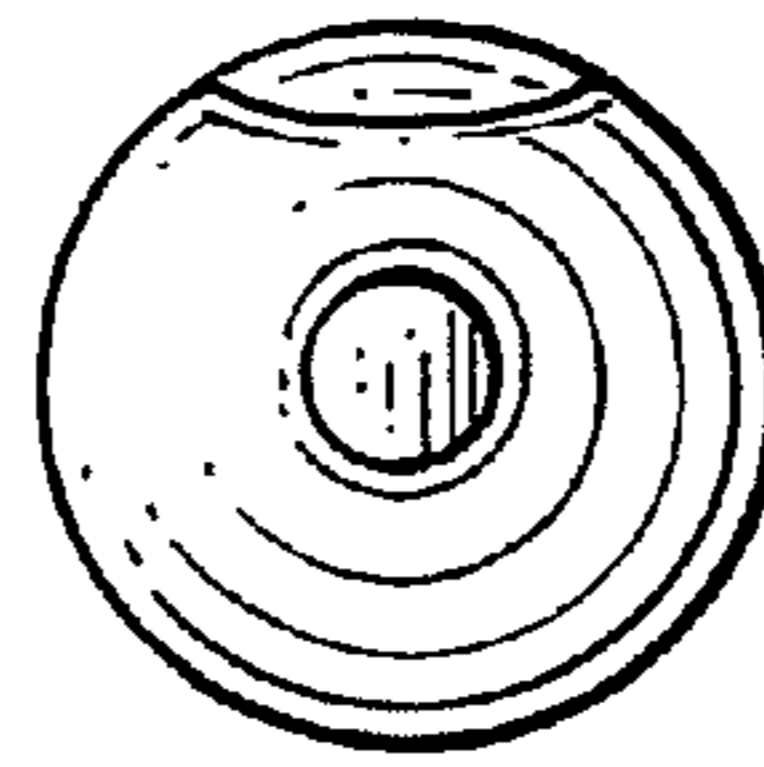


Fig. 4.

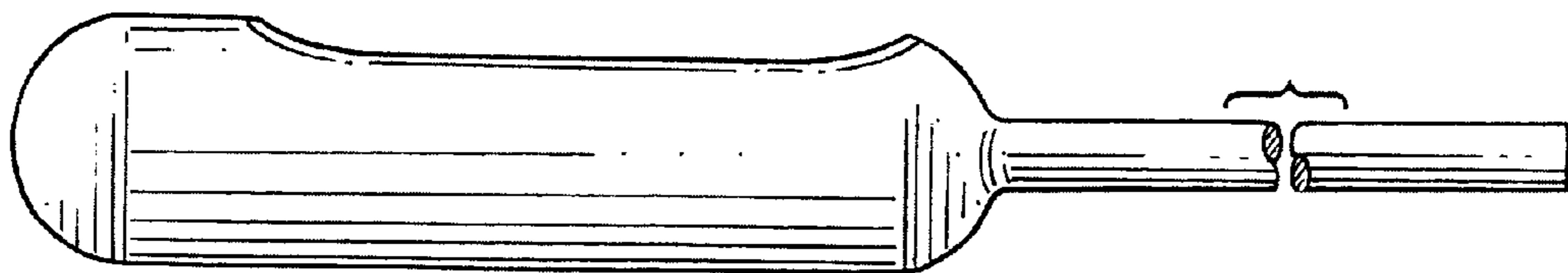


Fig. 3.

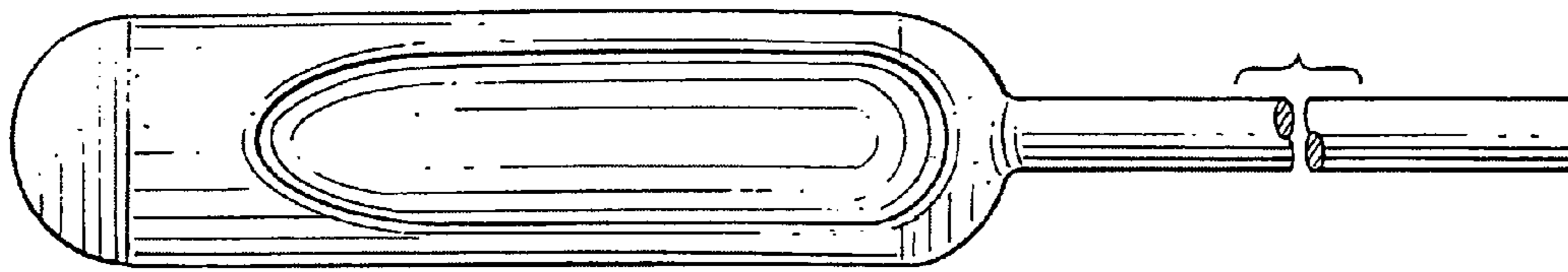


Fig. 5.

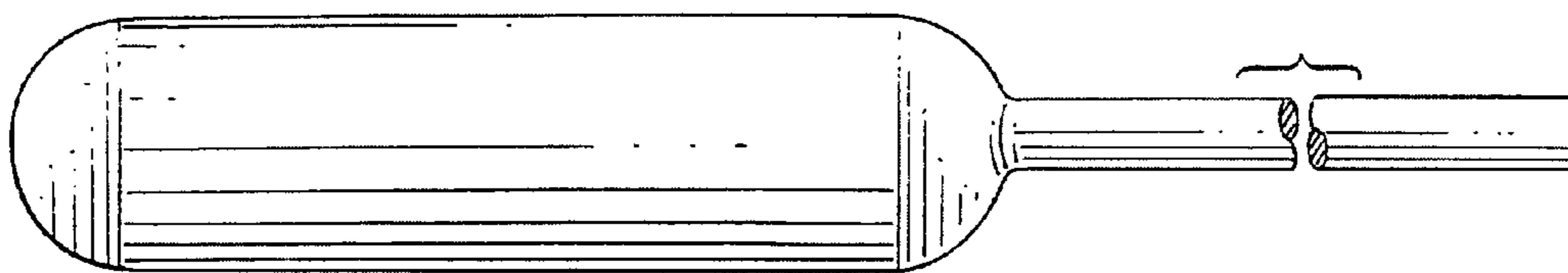


Fig. 6.