



US00D571452S

(12) **United States Design Patent**  
**Ertze**

(10) **Patent No.:** **US D571,452 S**  
(45) **Date of Patent:** **\*\* Jun. 17, 2008**

- (54) **CEILING FAN MOTOR HOUSING**
  - (75) Inventor: **Pablo J. Ertze**, Ontario, CA (US)
  - (73) Assignee: **Air Cool Industrial Co., Ltd.**,  
Taichung (TW)
  - (\*\*) Term: **14 Years**
  - (21) Appl. No.: **29/291,181**
  - (22) Filed: **Aug. 17, 2007**
  - (51) **LOC (8) Cl.** ..... **23-04**
  - (52) **U.S. Cl.** ..... **D23/411**
  - (58) **Field of Classification Search** ..... D23/377,  
D23/379, 385, 411, 413; 416/5
- See application file for complete search history.

- D484,969 S 1/2004 Tai
- D485,344 S 1/2004 Tai
- D485,609 S 1/2004 Tai
- D485,611 S 1/2004 Tai
- D485,897 S 1/2004 Tai
- D490,888 S 6/2004 Tai
- D494,705 S 8/2004 Tai
- D501,578 S 2/2005 Tai
- D503,472 S 3/2005 Tai
- D503,473 S 3/2005 Tai
- D503,474 S 3/2005 Tai
- D503,475 S 3/2005 Tai
- D503,476 S 3/2005 Tai
- D503,795 S 4/2005 Tai
- D504,173 S 4/2005 Cohen
- D505,197 S 5/2005 Tai
- D505,724 S 5/2005 Tai
- D507,644 S 7/2005 Tai

(Continued)

(56) **References Cited**  
U.S. PATENT DOCUMENTS

- 5,508,484 A 4/1996 Chen
- D396,530 S 7/1998 Tai
- D404,808 S 1/1999 Tai
- D404,809 S 1/1999 Tai
- D405,878 S 2/1999 Tai
- D408,073 S 4/1999 Tai
- D408,074 S 4/1999 Tai
- D408,516 S 4/1999 Tai
- D409,297 S 5/1999 Tai
- 6,059,531 A 5/2000 Tai
- 6,135,618 A 10/2000 Tai
- 6,259,025 B1 7/2001 Tai
- 6,379,116 B1 4/2002 Tai
- D457,947 S 5/2002 Tai
- 6,392,146 B1 5/2002 Tai
- D458,675 S 6/2002 Tai
- D478,381 S 8/2003 Tai
- D483,463 S 12/2003 Tai
- D483,464 S 12/2003 Tai
- D483,465 S 12/2003 Tai
- D483,847 S 12/2003 Tai
- D483,848 S 12/2003 Tai
- D483,849 S 12/2003 Tai
- D483,850 S 12/2003 Tai
- D484,588 S 12/2003 Tai

*Primary Examiner*—Lisa P Lichtenstein  
(74) *Attorney, Agent, or Firm*—Morrison & Foerster LLP

(57) **CLAIM**

The ornamental design for a ceiling fan motor housing, as shown and described.

**DESCRIPTION**

FIG. 1 is a perspective view of a ceiling fan motor housing shown in use.

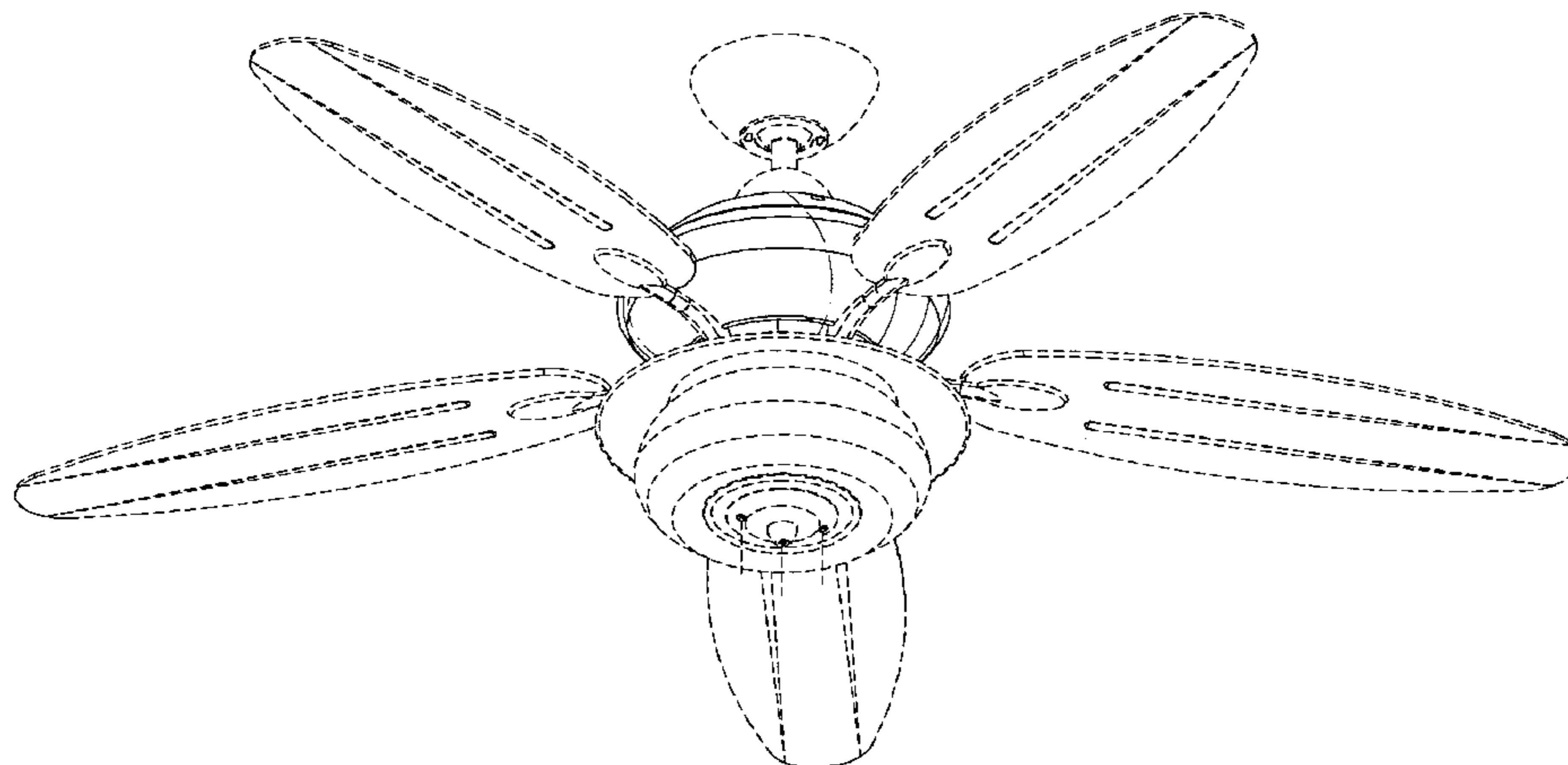
FIG. 2 is an enlarged side view of a motor housing in accordance with the present invention;

FIG. 3 is an enlarged perspective view of the motor housing in accordance with the present invention; and,

FIG. 4 is an enlarged bottom view of the motor housing in accordance with the present invention.

The broken line showing of the canopy, support rod, ceiling fan blades, blade irons, pull cords, circular top central portion, circular bottom central portion and light fixture is included for the purpose of illustrating environmental structure and forms no part of the claimed design.

**1 Claim, 4 Drawing Sheets**



# US D571,452 S

Page 2

---

## U.S. PATENT DOCUMENTS

D507,830 S	7/2005	Pan	D541,410 S	4/2007	Ertze	
D530,811 S	10/2006	Ertze	D543,268 S	5/2007	Ertze	
D531,722 S	11/2006	Ertze	D543,302 S	5/2007	Ertze	
D532,901 S	11/2006	Ertze	D545,422 S	6/2007	Glasbrenner	
D533,267 S	12/2006	Pan	D543,936 S	7/2007	Ertze	
D536,466 S	2/2007	Pan	D546,439 S	7/2007	Glasbrenner	
D539,896 S	4/2007	Pan	D547,435 S	7/2007	Lee	
D541,409 S	4/2007	Ertze	D547,857 S *	7/2007	Lee .....	D23/411

\* cited by examiner

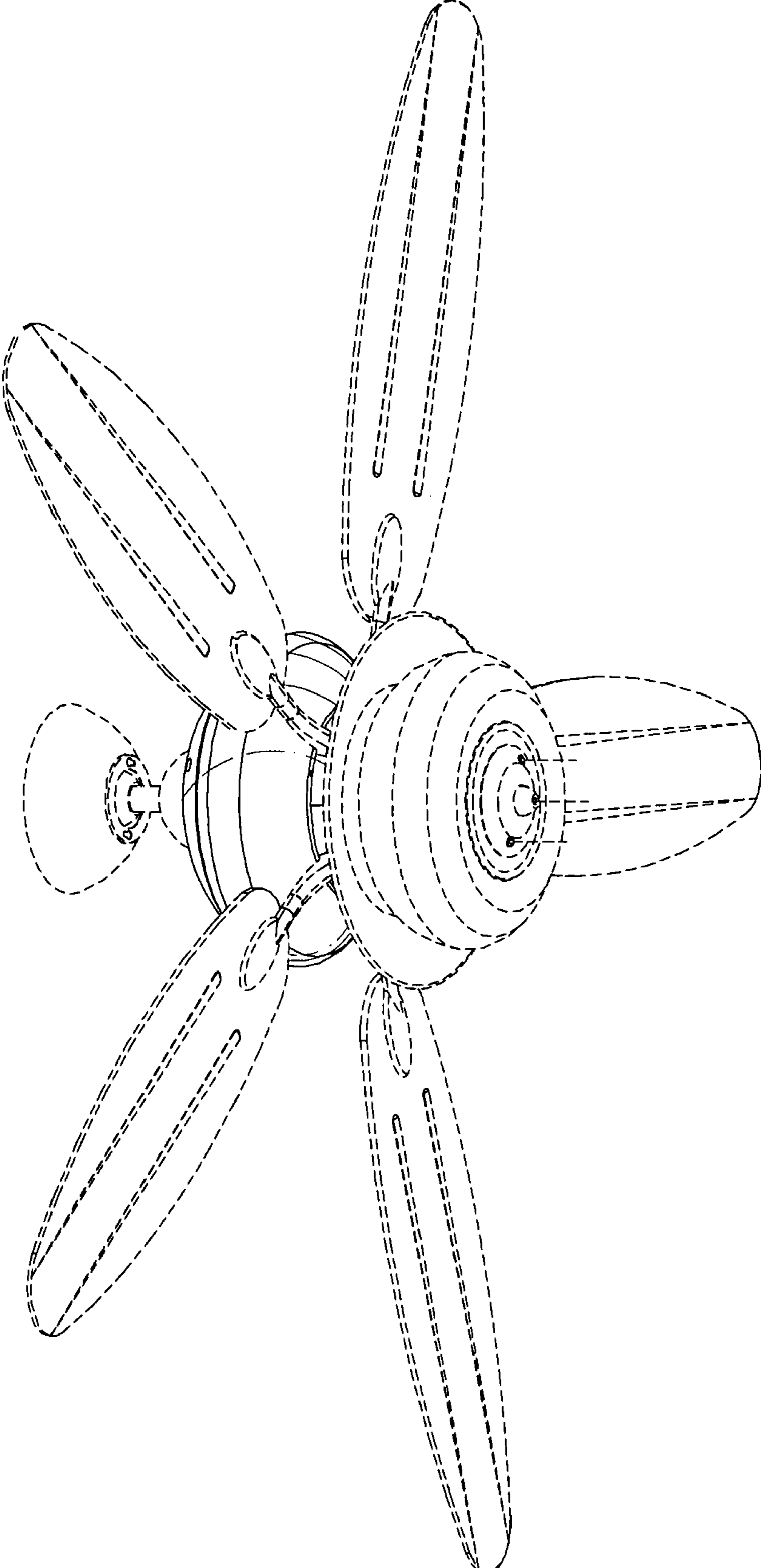


FIG. 1

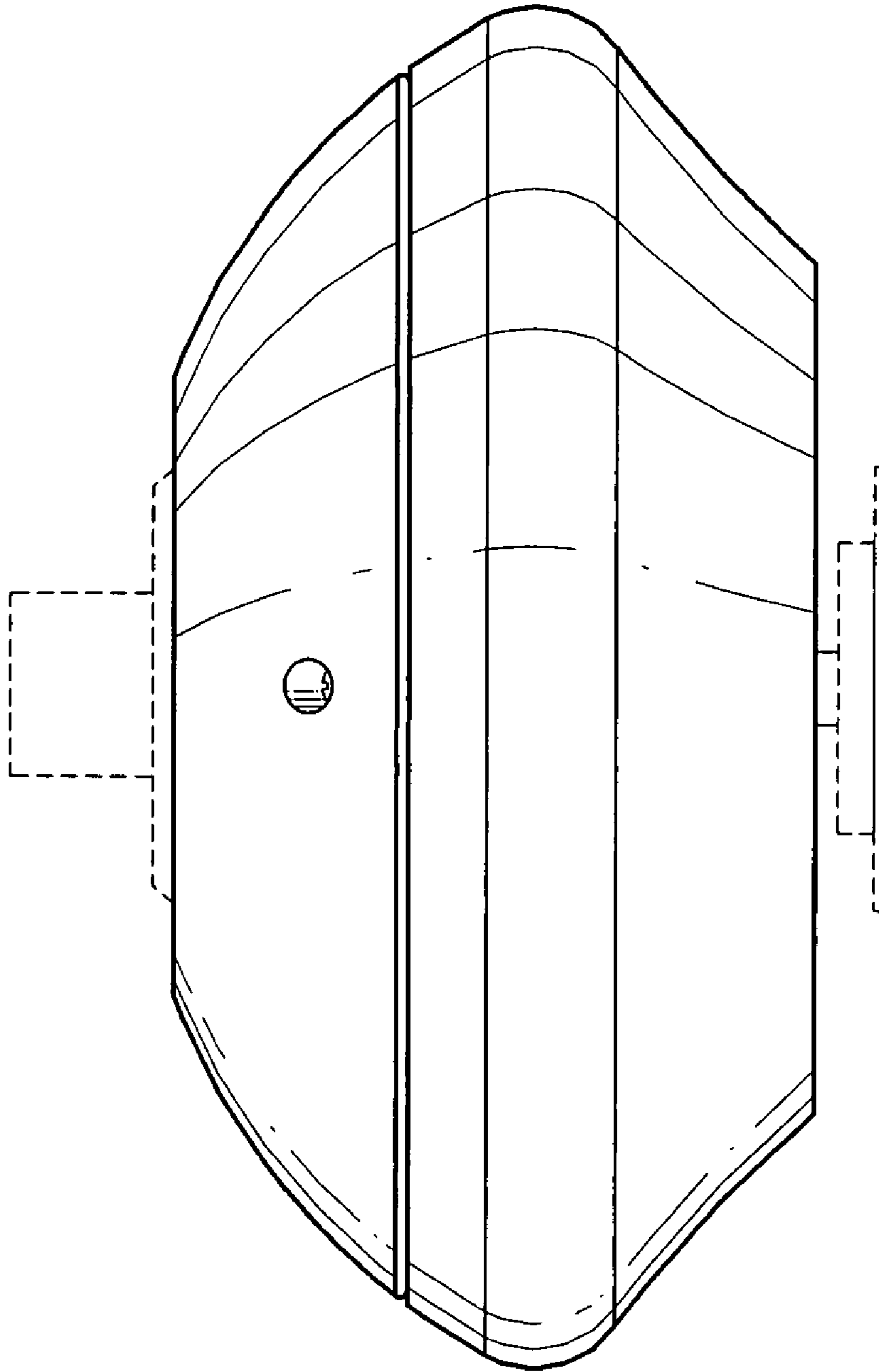


FIG. 2

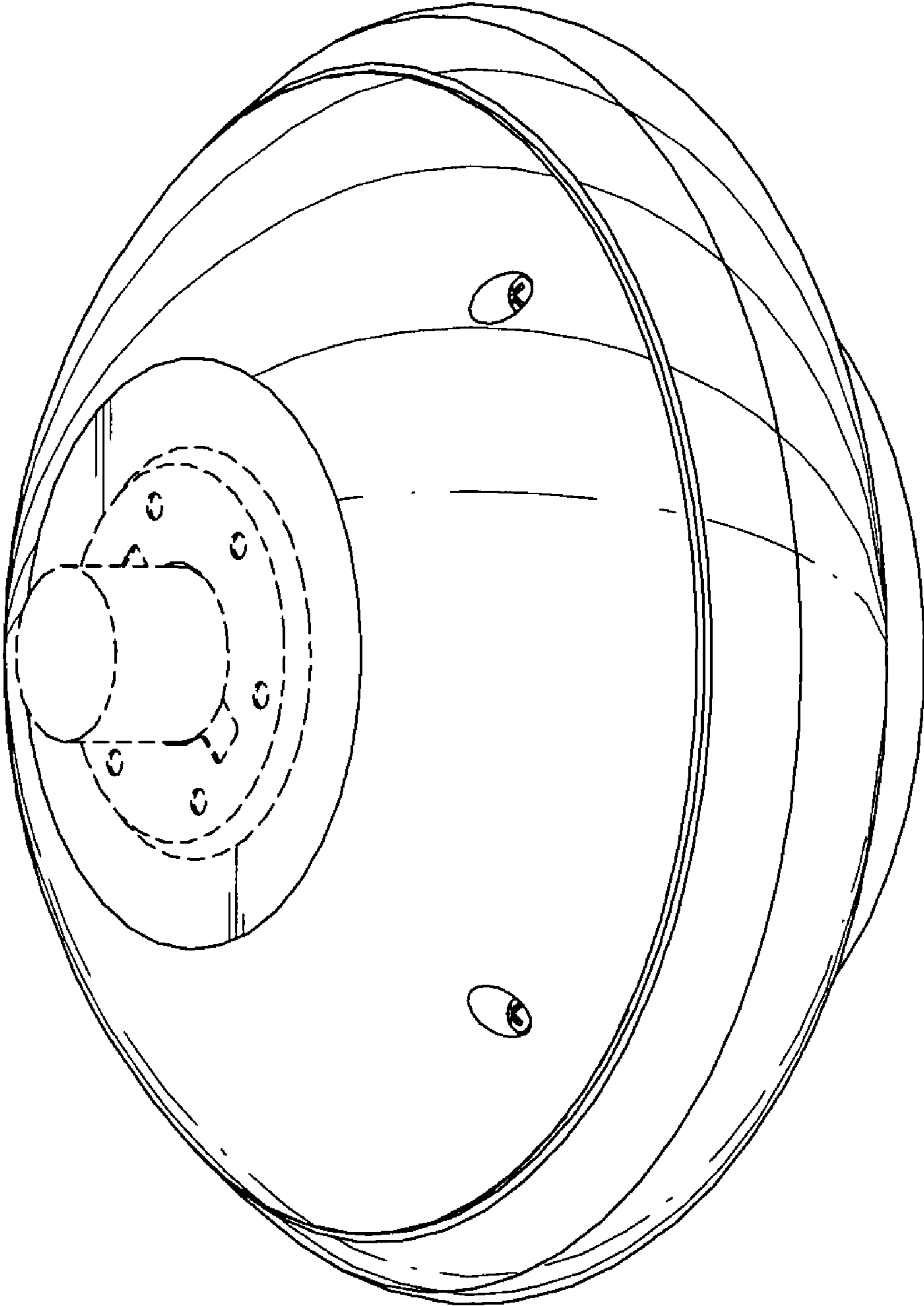


FIG. 3

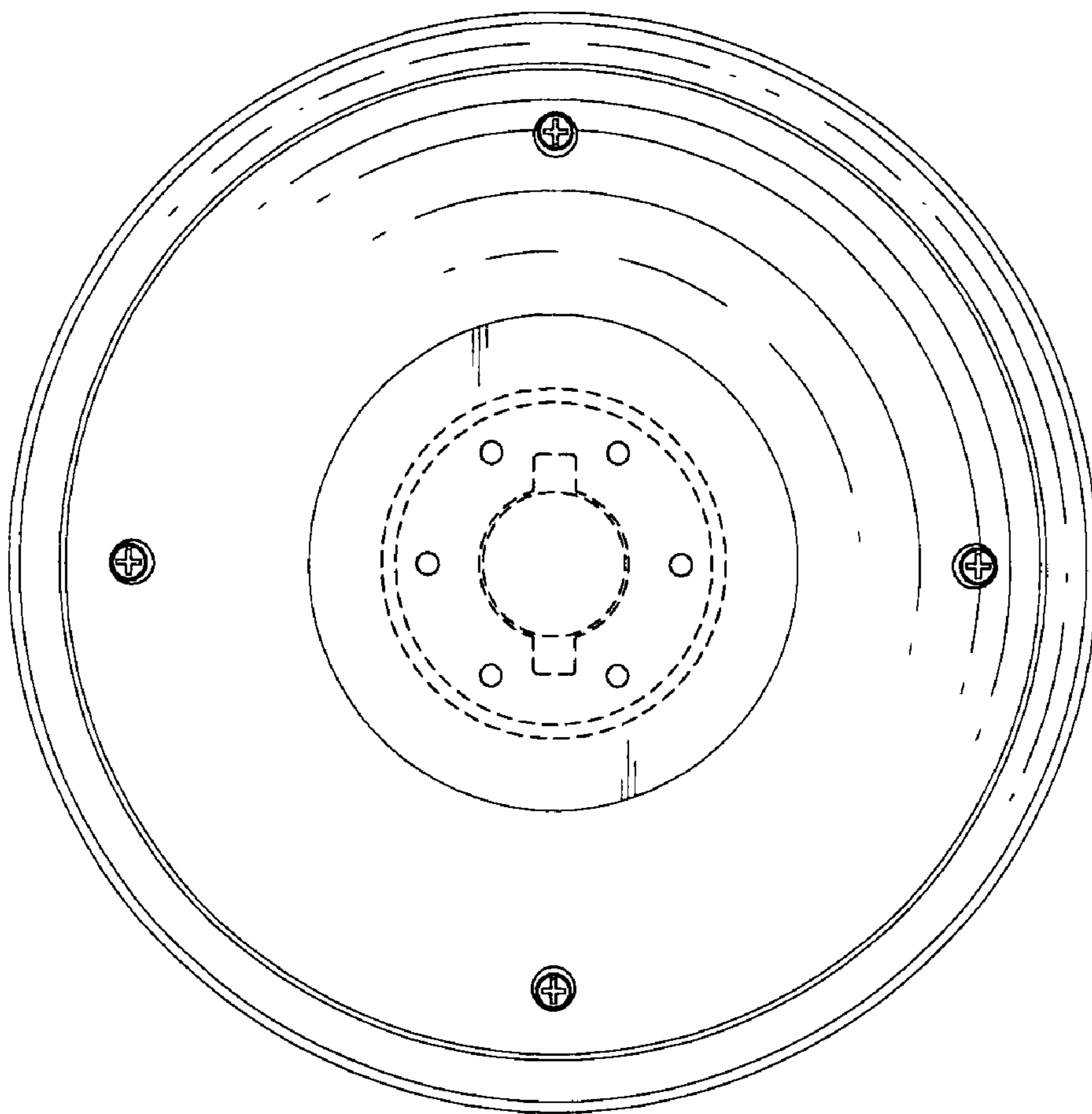


FIG. 4