



US00D571451S

(12) **United States Design Patent**
Flores

(10) **Patent No.:** **US D571,451 S**
(45) **Date of Patent:** **** Jun. 17, 2008**

- (54) **FINIAL**
- (75) Inventor: **Miguel Flores**, Riverside, CA (US)
- (73) Assignee: **Minka Lighting, Inc.**, Corona, CA (US)
- (**) Term: **14 Years**
- (21) Appl. No.: **29/250,247**
- (22) Filed: **Nov. 7, 2006**
- (51) **LOC (8) Cl.** **23-04**
- (52) **U.S. Cl.** **D23/411**
- (58) **Field of Classification Search** D23/377,
D23/379, 385, 411, 413; 416/5; D26/59,
D26/51, 72, 80-86, 73
See application file for complete search history.

(56) **References Cited**

U.S. PATENT DOCUMENTS

D528,651 S * 9/2006 Hidalgo D23/411

OTHER PUBLICATIONS

U.S. Appl. No. 29/250,241 filed on Nov. 7, 2006.
U.S. Appl. No. 29/250,242 filed on Nov. 7, 2006.
MinkaAire Intenet Catalog; Bijou ceiling fan; Model F-699; printed from minkagroup.net on Nov. 10, 2006.

Minka Lavery Internet Catalog; Belcaro chandelier; Model 948-126; printed from minkagroup.net on Nov. 10, 2006.

* cited by examiner

Primary Examiner—Lisa Lichtenstein

(74) *Attorney, Agent, or Firm*—Baker & McKenzie LLP

(57) **CLAIM**

The ornamental design for a finial, as shown and described.

DESCRIPTION

FIG. 1 is a perspective view from below of a finial in accordance with my design;

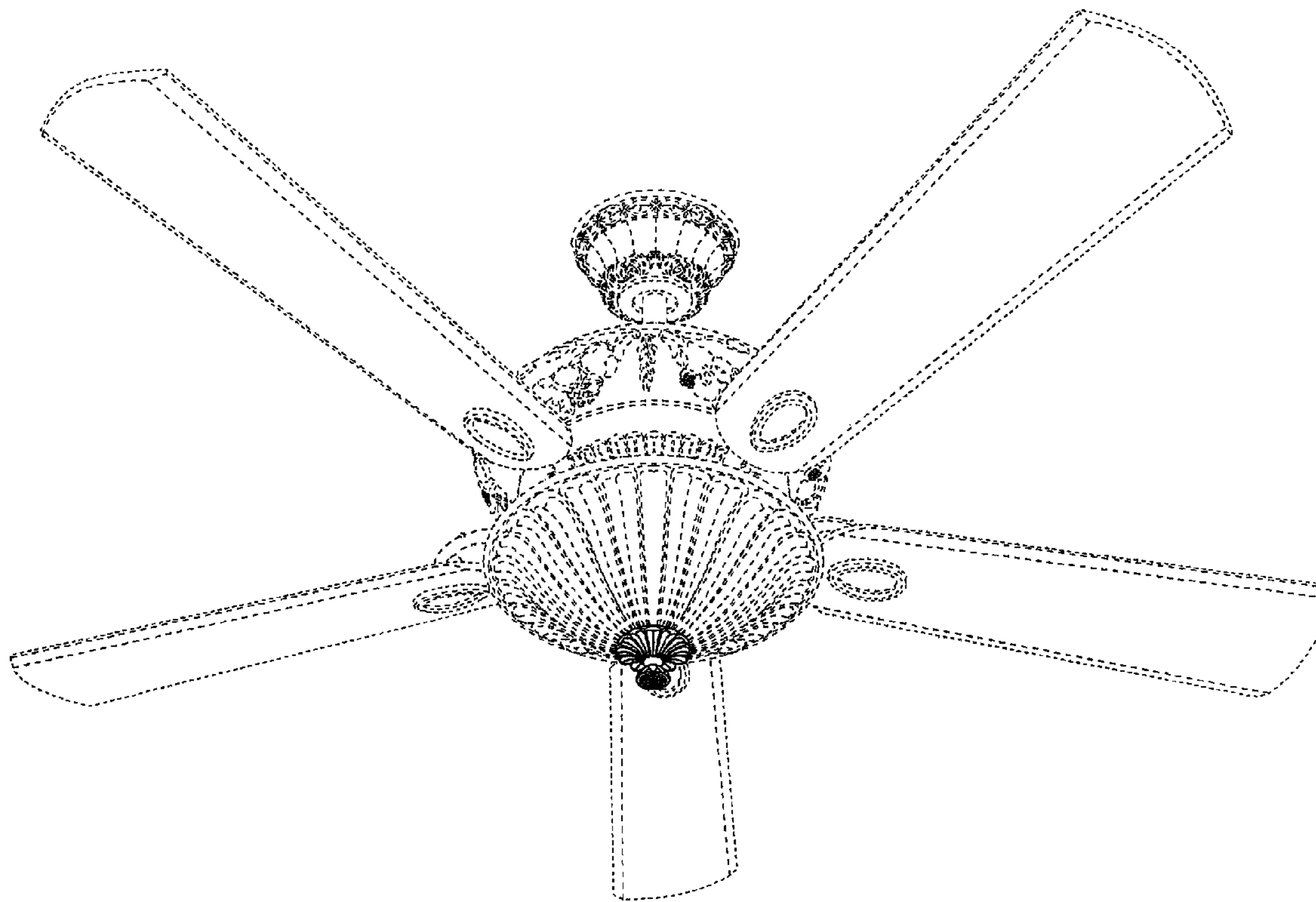
FIG. 2 is an enlarged perspective view from below of the finial in accordance with my design;

FIG. 3 is an enlarged bottom plan view of the finial in accordance with my design; and,

FIG. 4 is an enlarged side elevation view of the finial in accordance with my design, all sides being substantially identical to that shown.

The broken line showing of the ceiling fan is included for the purpose of illustrating environmental structure and forms no part of the claimed design.

1 Claim, 2 Drawing Sheets



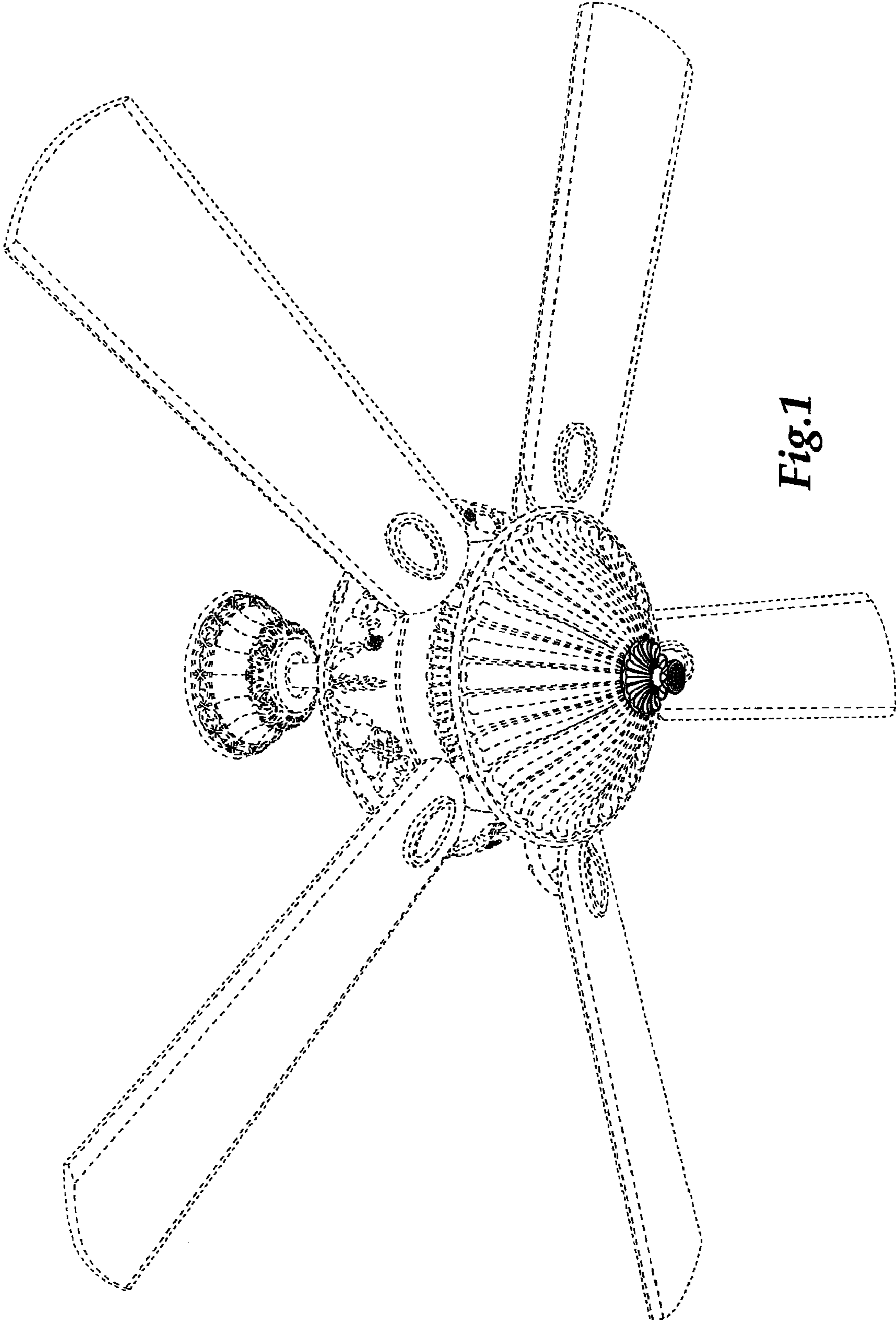


Fig.1

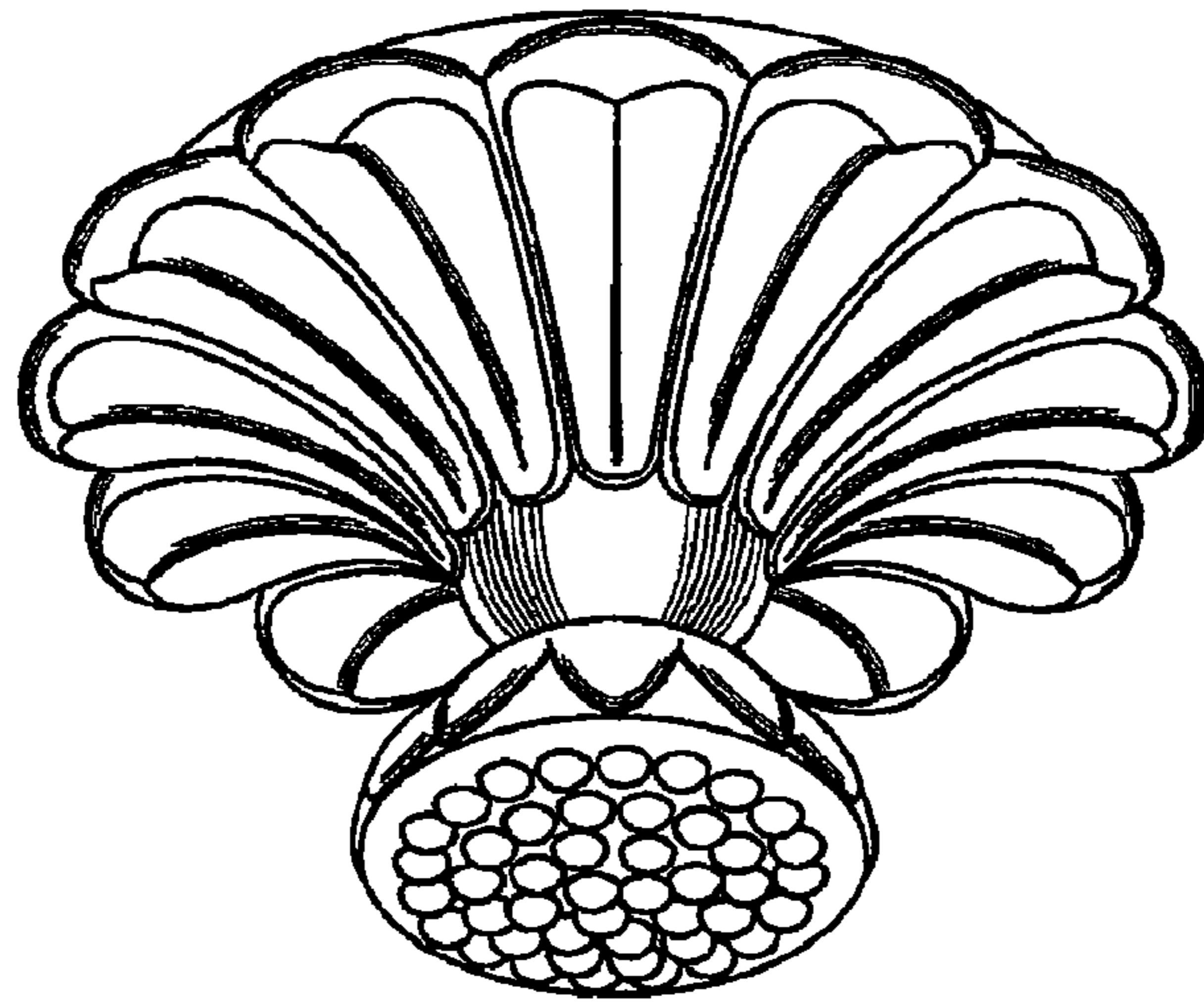


Fig.2

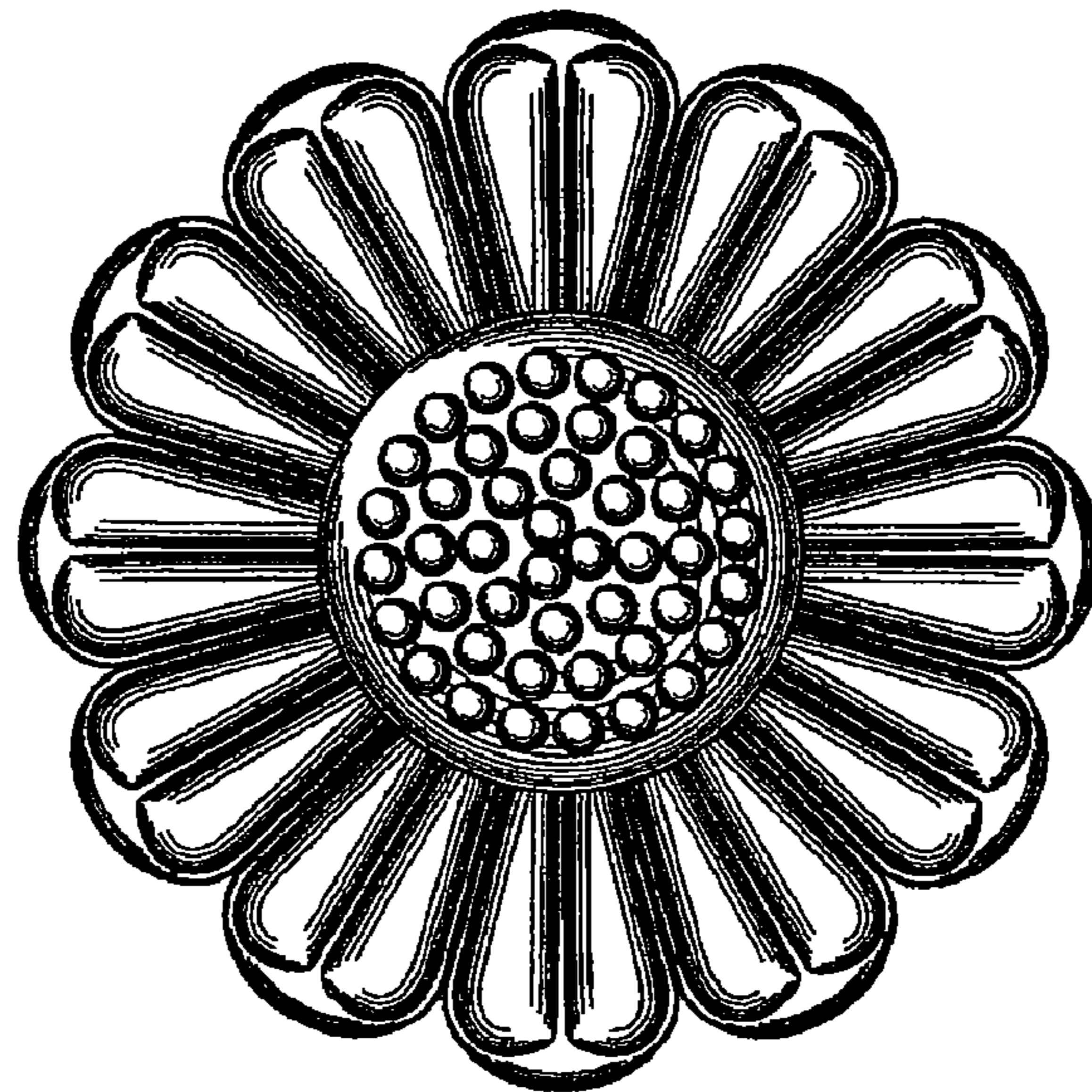


Fig.3

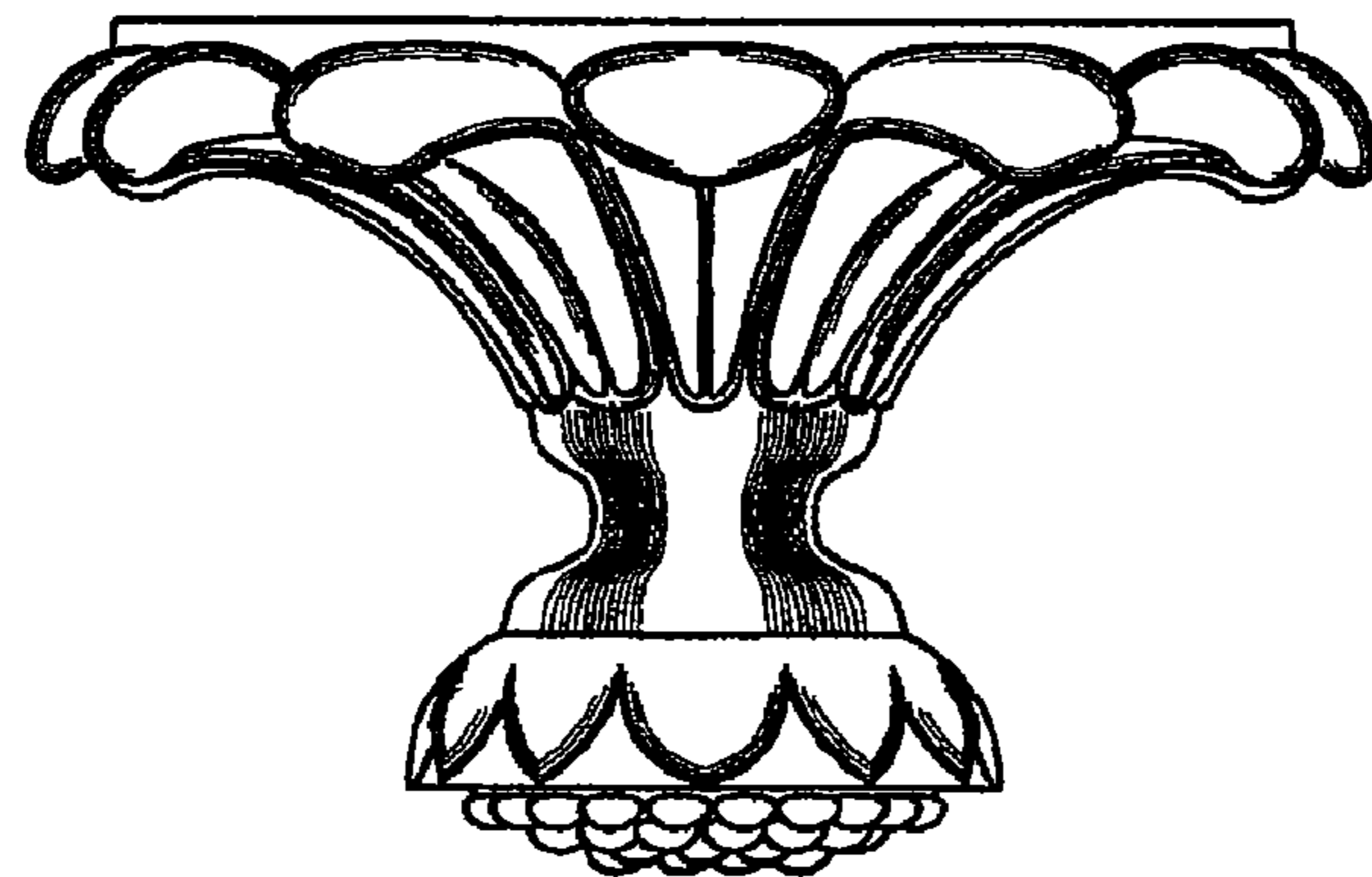


Fig.4