



US00D571450S

(12) **United States Design Patent**
Brown

(10) **Patent No.:** **US D571,450 S**
(45) **Date of Patent:** **** Jun. 17, 2008**

(54) **DEFLECTING LOUVER WITH DAMPER**

2004/0127154 A1* 7/2004 Omiya et al. 454/162

(75) Inventor: **Carlton E Brown**, Tucson, AZ (US)

* cited by examiner

(73) Assignee: **AirConcepts, Inc.**, Tucson, AZ (US)

Primary Examiner—Louis S Zarfaz

Assistant Examiner—David G Muller

(**) Term: **14 Years**

(74) *Attorney, Agent, or Firm*—Peter B. Scull; Berenbaum, Weinshienk & Eason

(21) Appl. No.: **29/299,124**

(22) Filed: **Dec. 19, 2007**

(57) **CLAIM**

The design for a deflecting louver with damper, as shown and described.

(51) **LOC (8) Cl.** **23-04**

(52) **U.S. Cl.** **D23/387**

(58) **Field of Classification Search** D23/387,
D23/373, 370, 371, 393, 391, 324, 385, 386,
D23/388, 392, 390; 454/136, 141, 146, 143,
454/153, 162

See application file for complete search history.

DESCRIPTION

FIG. 1 is an isometric view of a deflecting louver with damper;

FIG. 2 is a front side elevational view of the deflecting louver with damper of FIG. 1;

FIG. 3 is a back side elevational view of the deflecting louver with damper of FIG. 1;

FIG. 4 is a top plan view of the deflecting louver with damper of FIG. 1;

FIG. 5 is a bottom plan view of the deflecting louver with damper of FIG. 1;

FIG. 6 is a first side elevational view of the deflecting louver with damper of FIG. 1; and,

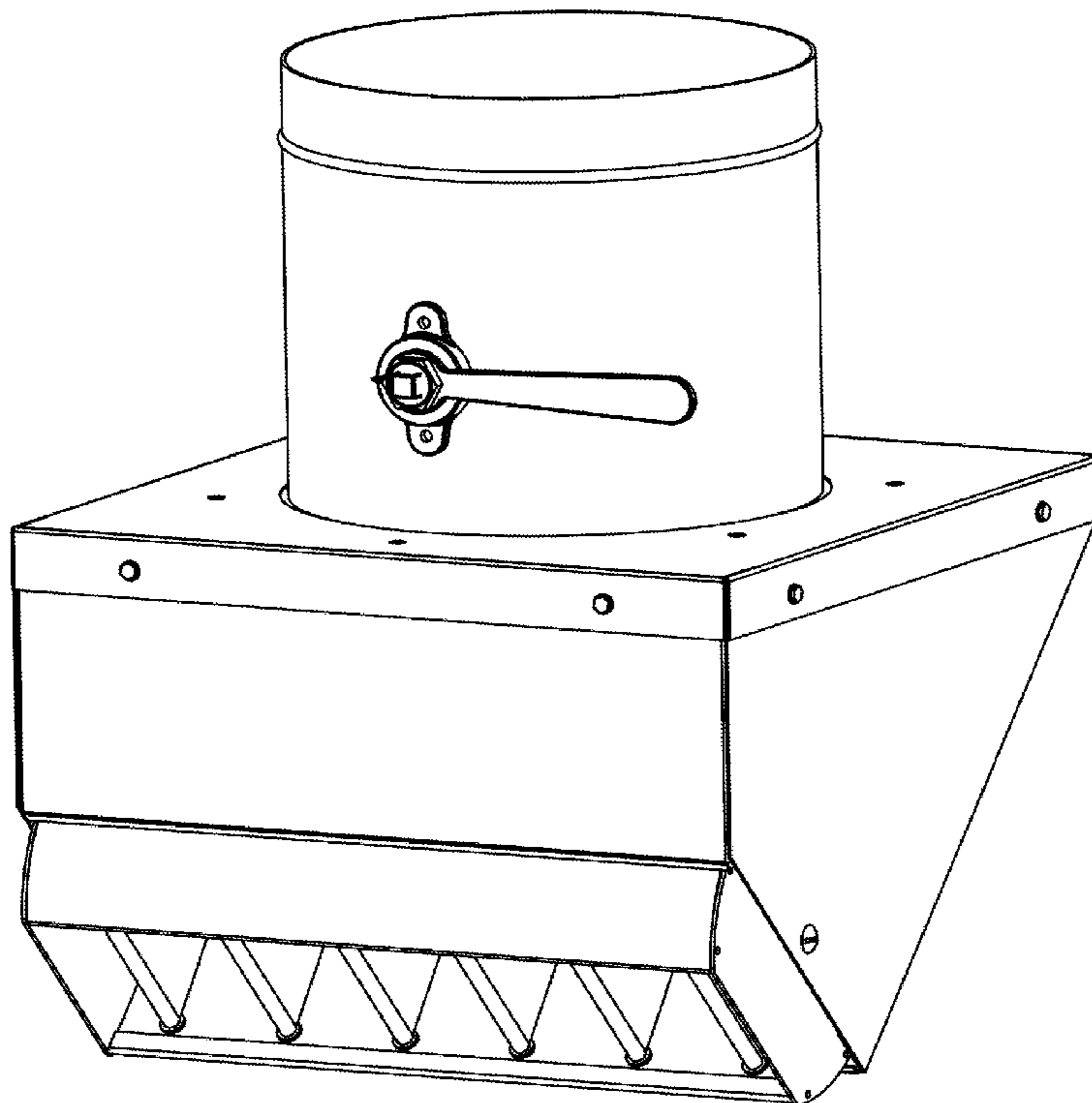
FIG. 7 is a second side elevational view of a deflecting louver with damper of FIG. 1.

(56) **References Cited**

U.S. PATENT DOCUMENTS

D269,809 S *	7/1983	Chadd	D23/371
4,407,186 A *	10/1983	Izumi et al.	454/153
D321,743 S *	11/1991	Logue et al.	D23/388
5,069,112 A *	12/1991	Takayama et al.	454/162
D387,859 S *	12/1997	Ukai et al.	D23/371
D409,738 S *	5/1999	Schwede	D23/370
D457,616 S *	5/2002	Yamanaka et al.	D23/371
D468,417 S *	1/2003	Leutz et al.	D23/393
6,669,548 B2 *	12/2003	Fujiwara	454/143
D490,147 S *	5/2004	Miura	D23/385
D495,047 S *	8/2004	Gilbert	D23/387
D546,435 S *	7/2007	Guzorek	D23/370

1 Claim, 7 Drawing Sheets



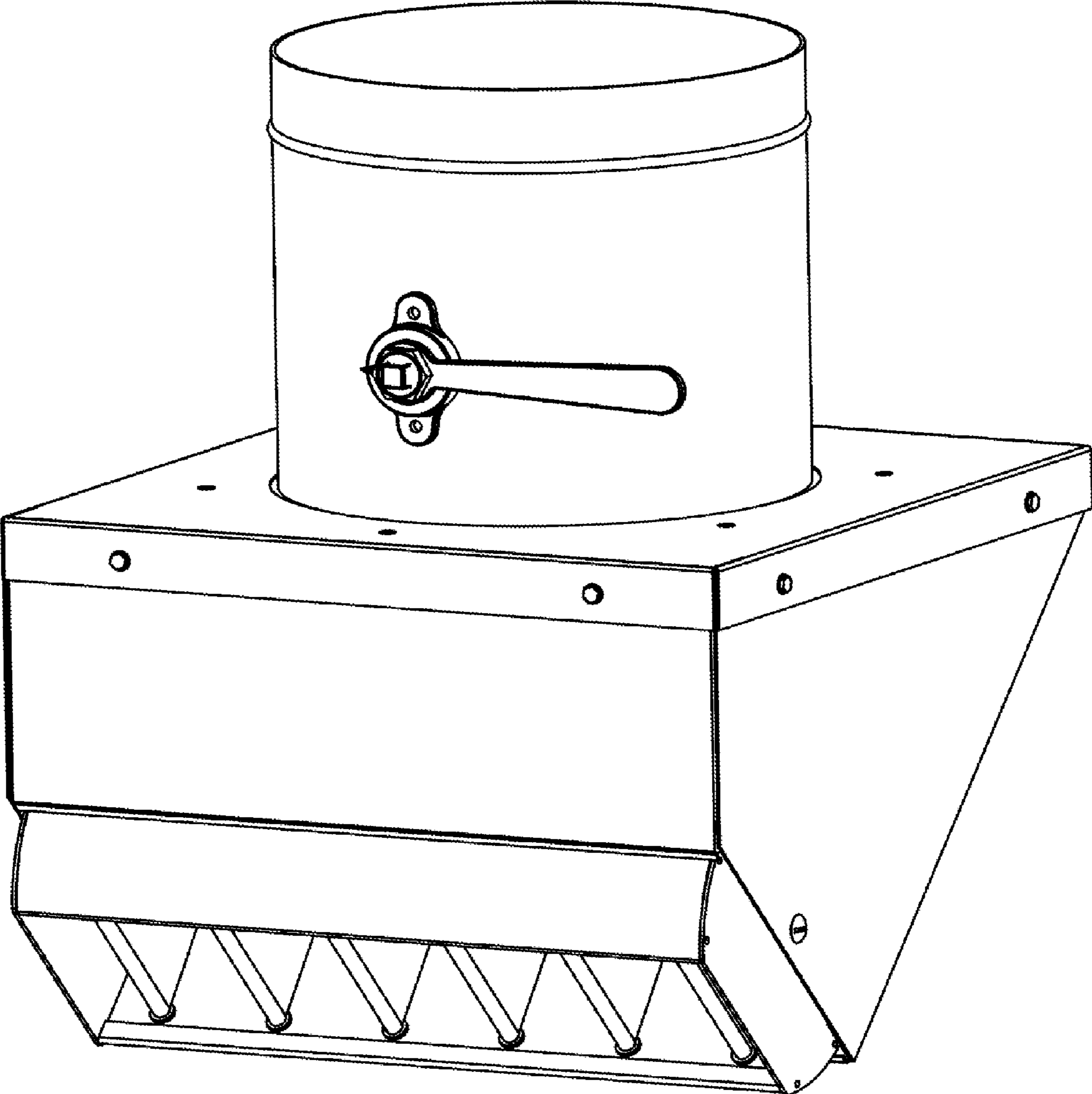


Fig. 1

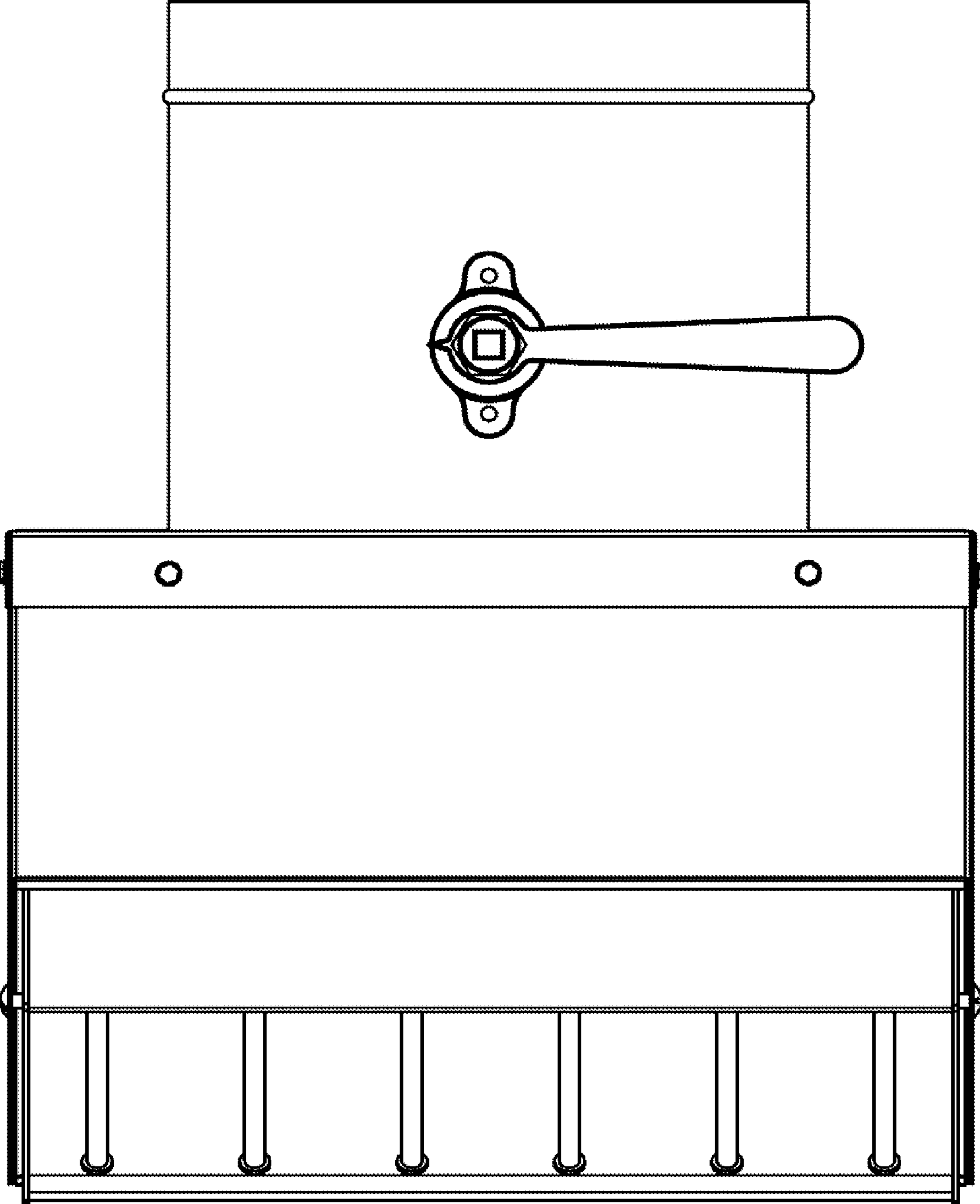


Fig. 2

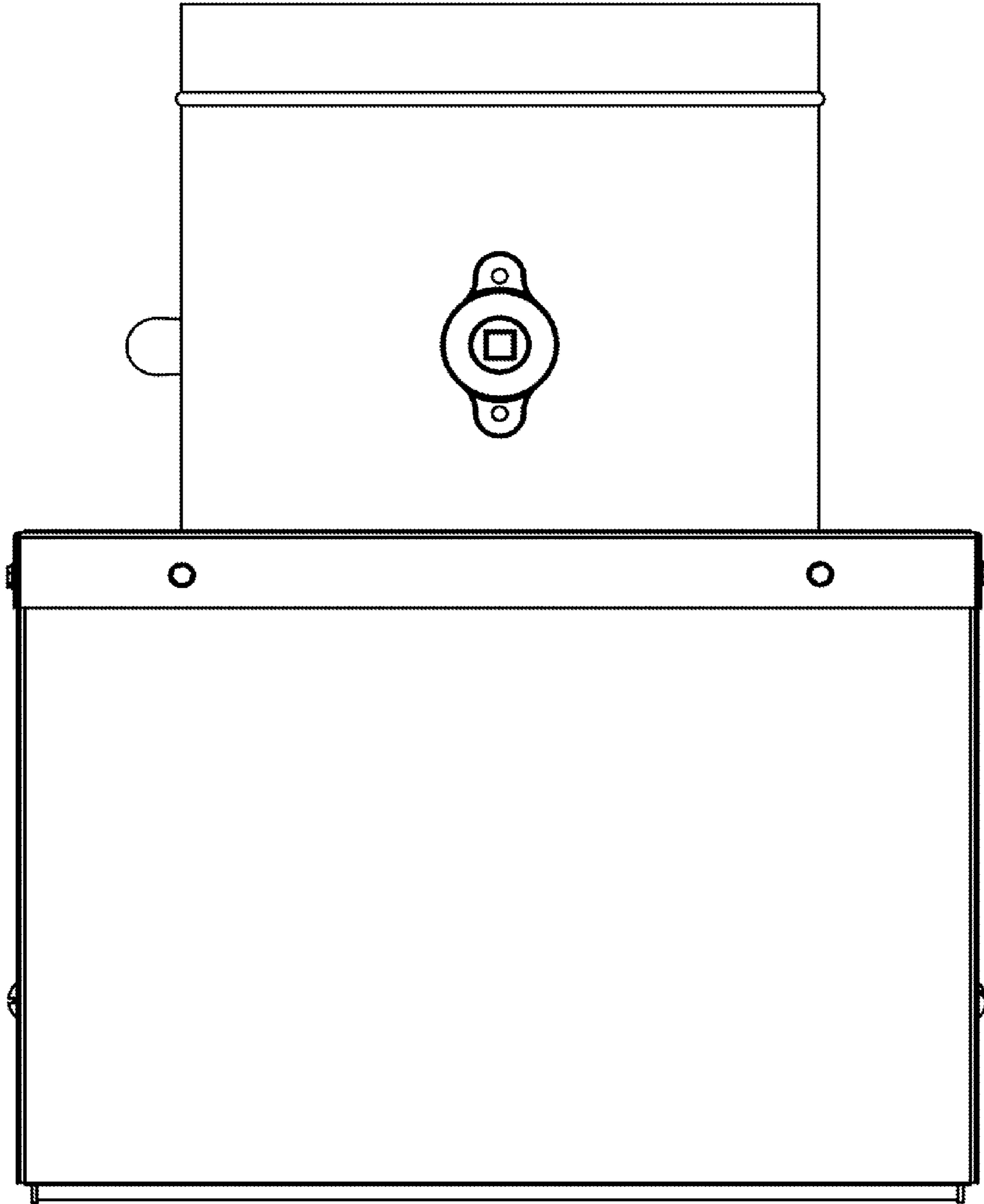


Fig. 3

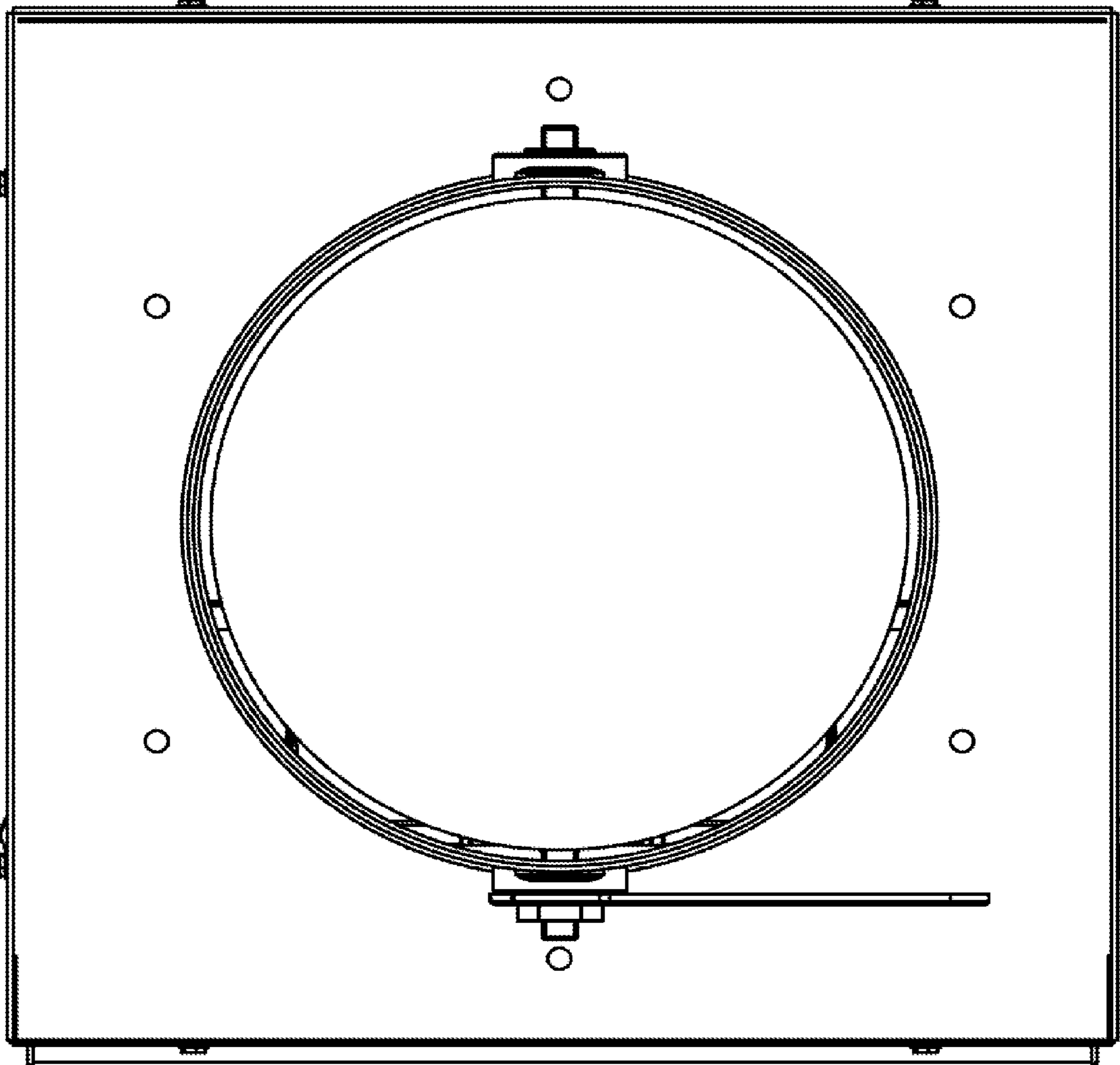


Fig. 4

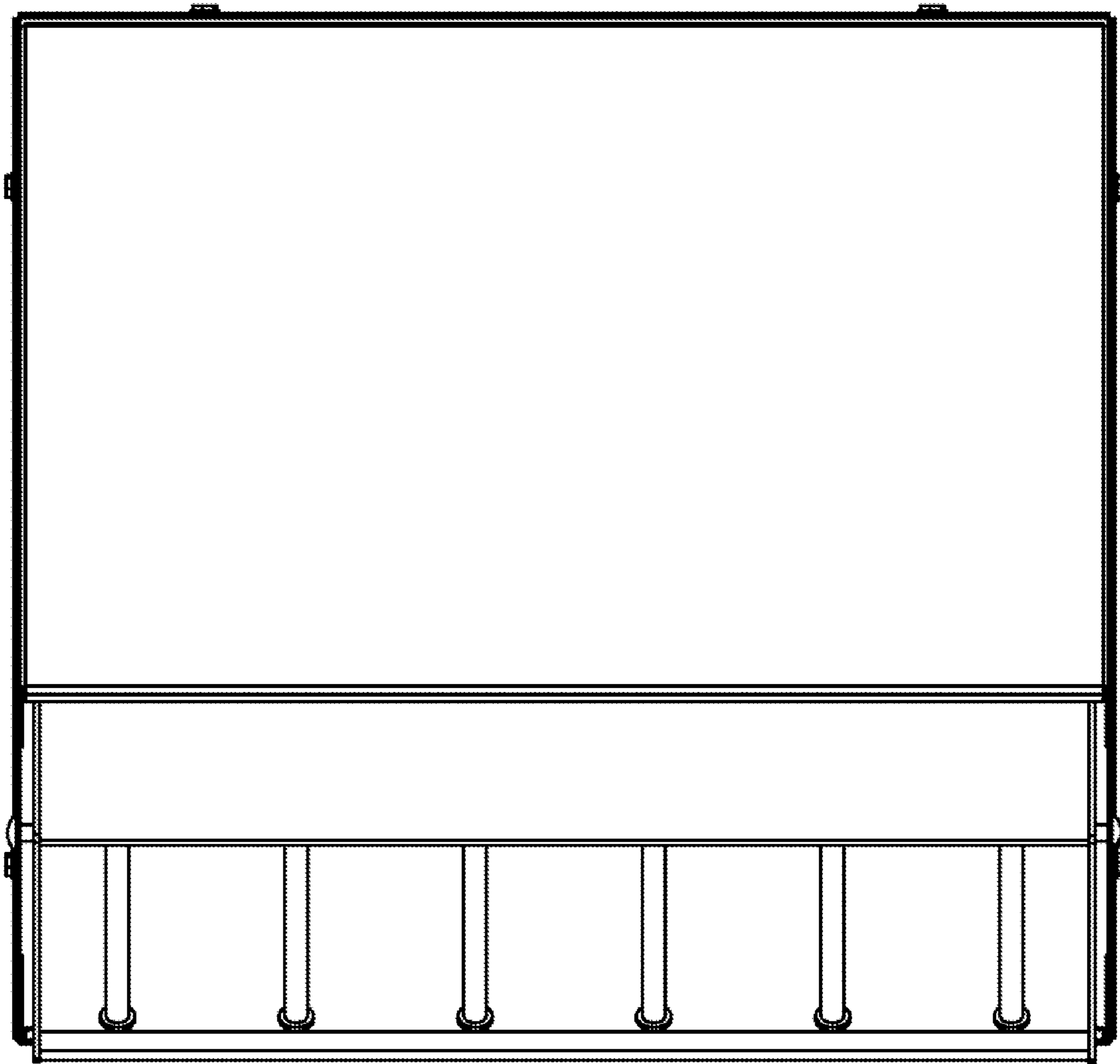


Fig. 5

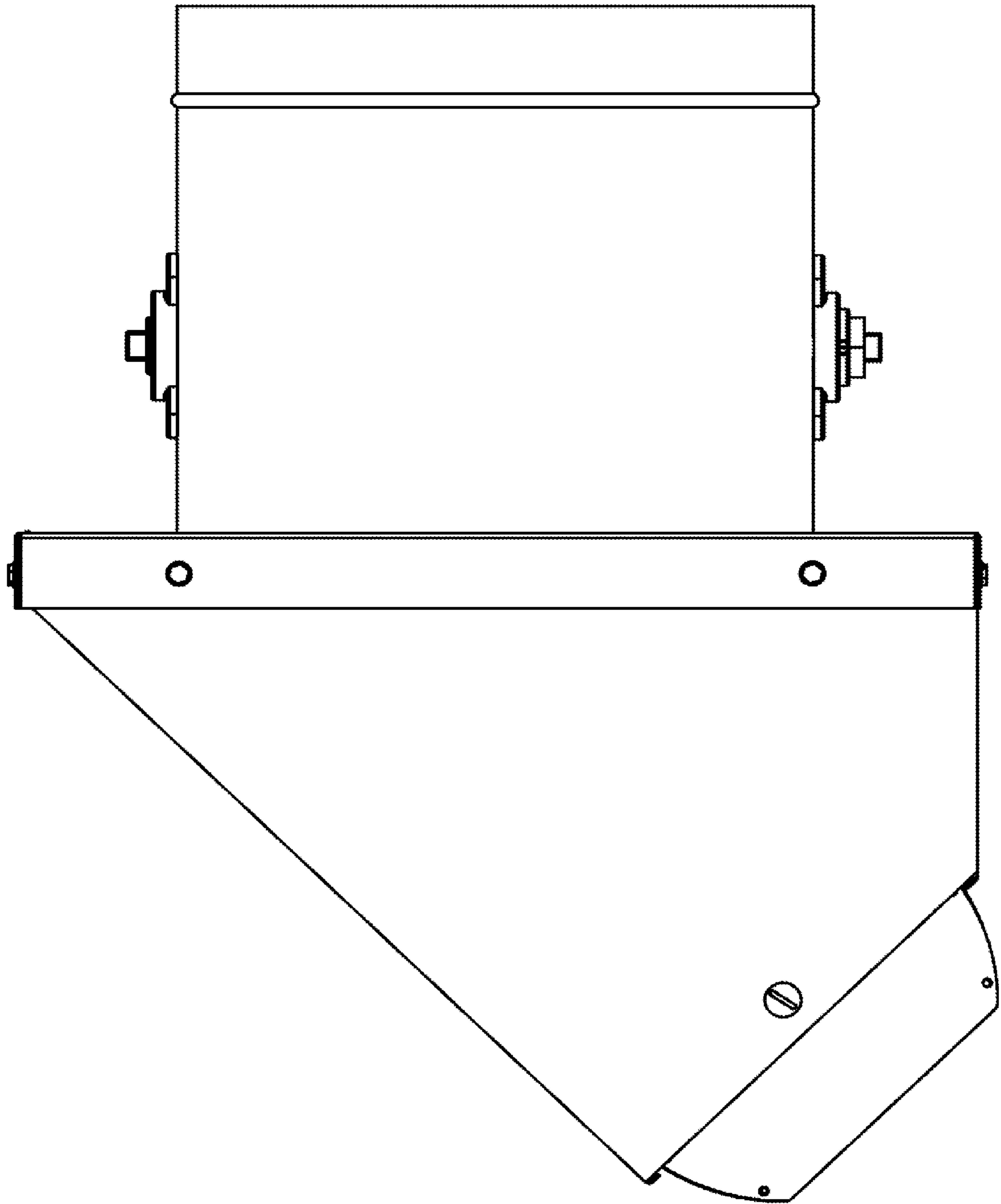


Fig. 6

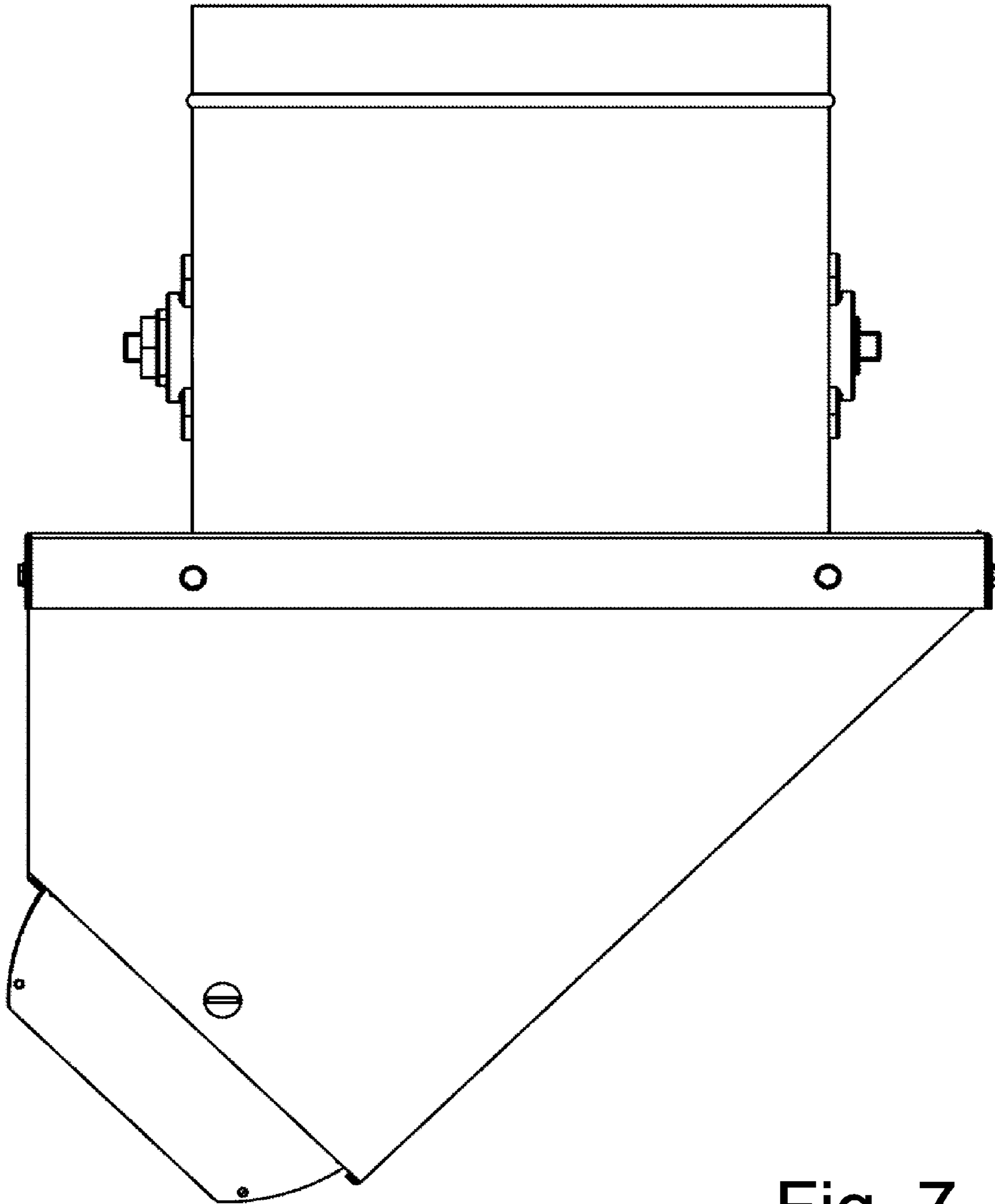


Fig. 7