

US00D571449S

(12) **United States Design Patent**  
**Lin**

(10) **Patent No.:** **US D571,449 S**  
(45) **Date of Patent:** **\*\* Jun. 17, 2008**

(54) **BLOWER HOUSING**

(76) Inventor: **Jen-Wei Lin**, No. 21-12, Chung-Jou Rd., Hou-Li, Taichung Hsien (TW)

(\*\*) Term: **14 Years**

(21) Appl. No.: **29/290,570**

(22) Filed: **Dec. 18, 2007**

(51) **LOC (8) Cl.** ..... **23-04**

(52) **U.S. Cl.** ..... **D23/383**

(58) **Field of Classification Search** ..... D23/383,  
D23/370; 415/204, 206, 213.1, 214.1  
See application file for complete search history.

(56) **References Cited**

U.S. PATENT DOCUMENTS

- D481,116 S \* 10/2003 Wang et al. .... D23/383
- D534,269 S \* 12/2006 Liang ..... D23/383
- D537,517 S \* 2/2007 Hancock ..... D23/383

\* cited by examiner

*Primary Examiner*—Lisa Lichtenstein  
(74) *Attorney, Agent, or Firm*—Morgan, Lewis & Bockius LLP

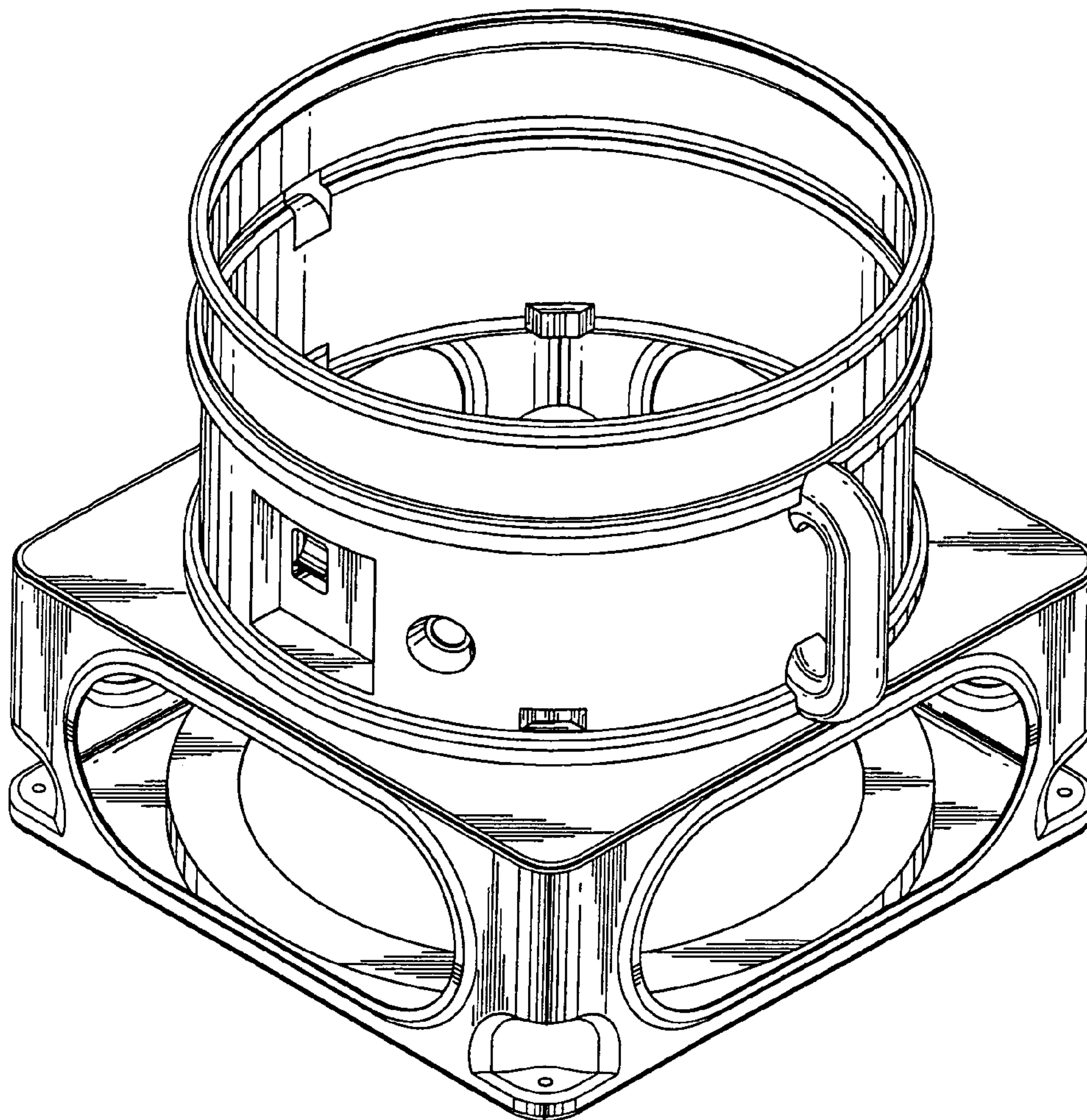
(57) **CLAIM**

The ornamental design for a blower housing, as shown and described.

**DESCRIPTION**

FIG. 1 is a perspective view of blower housing showing my new design;  
FIG. 2 is a front elevational view thereof;  
FIG. 3 is a rear elevational view thereof;  
FIG. 4 is a left side elevational view thereof;  
FIG. 5 is a right side elevational view thereof;  
FIG. 6 is a top plan view thereof; and,  
FIG. 7 is a bottom plan view thereof.

**1 Claim, 7 Drawing Sheets**



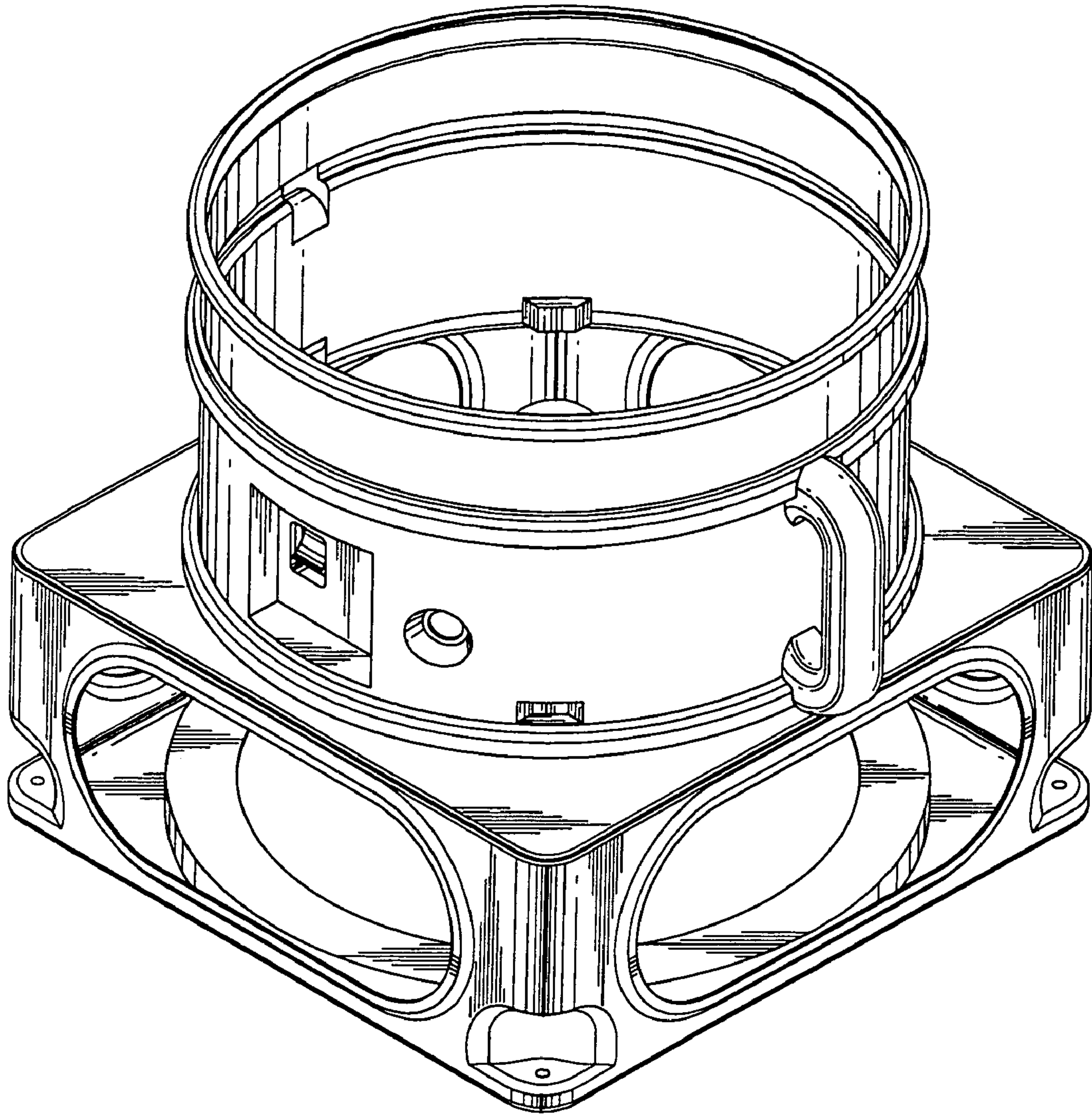


FIG. 1

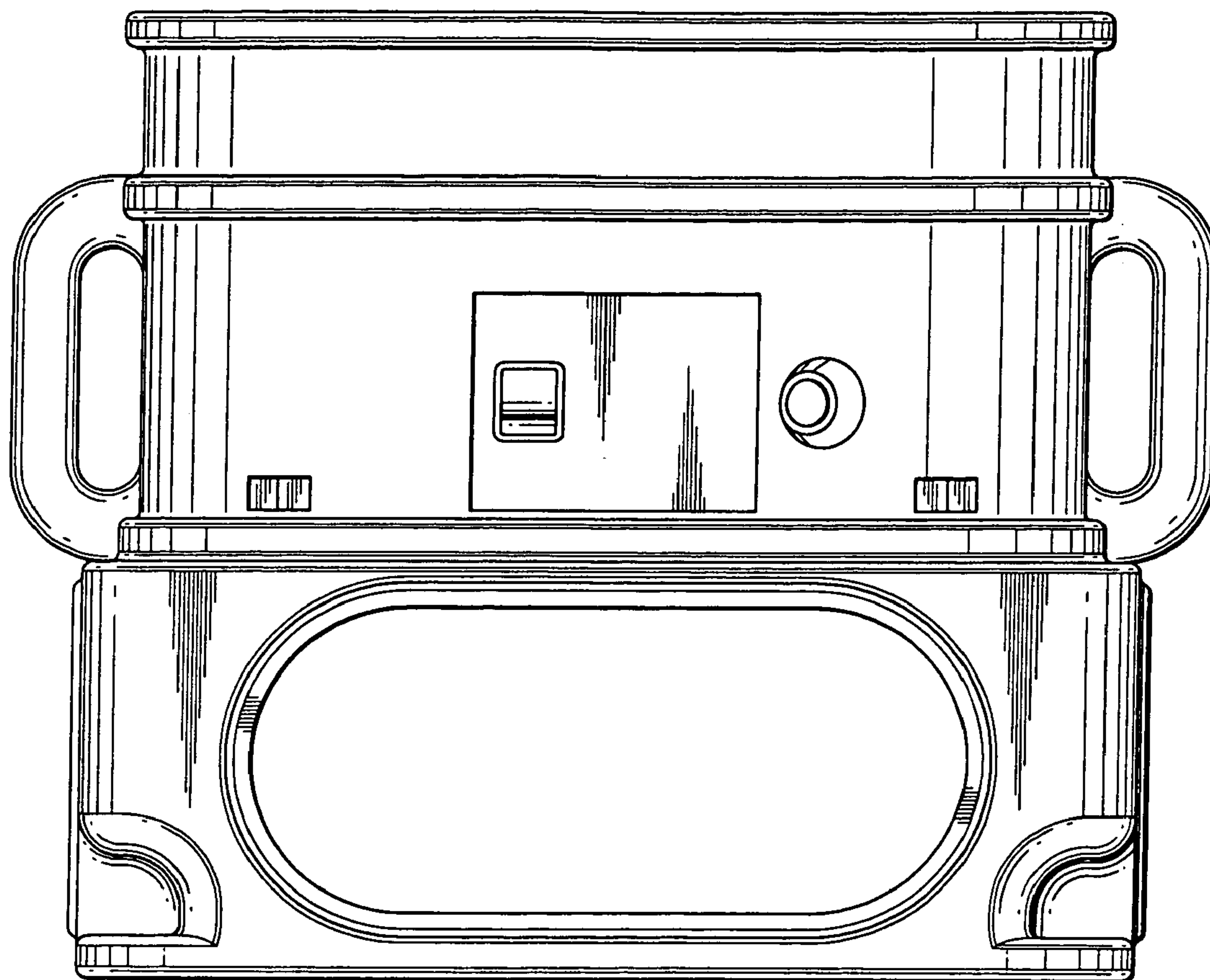


FIG. 2



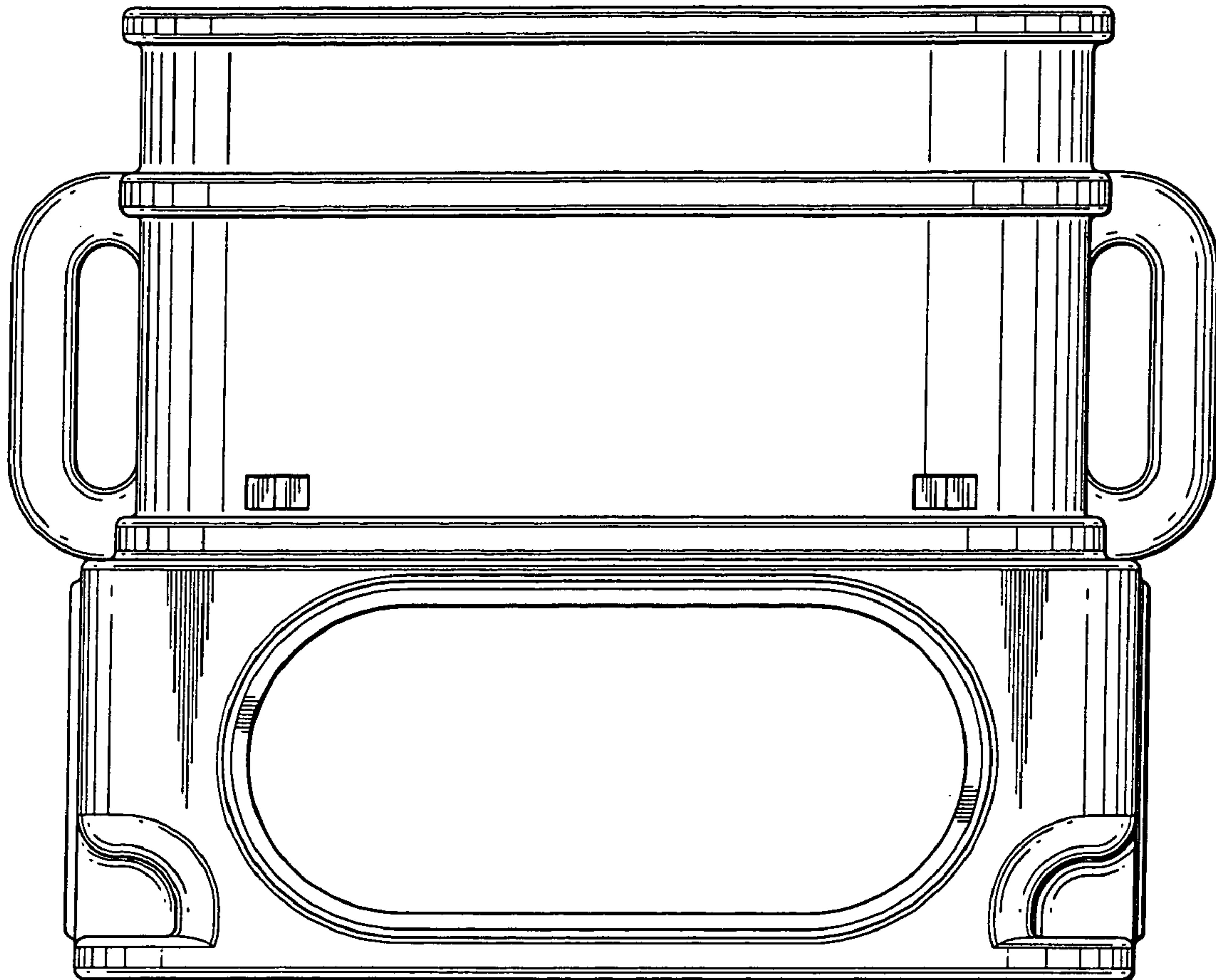


FIG. 3

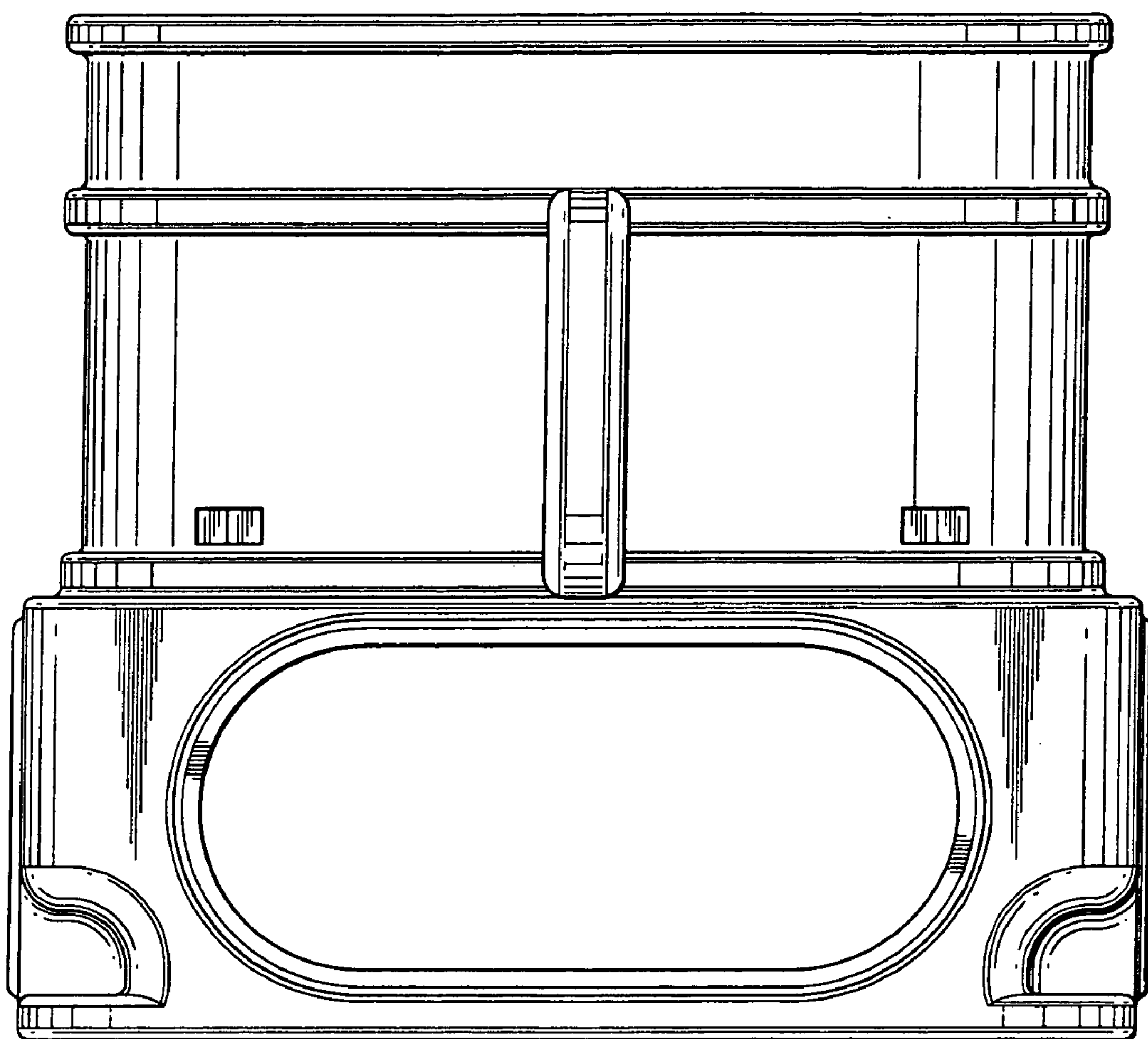


FIG. 4

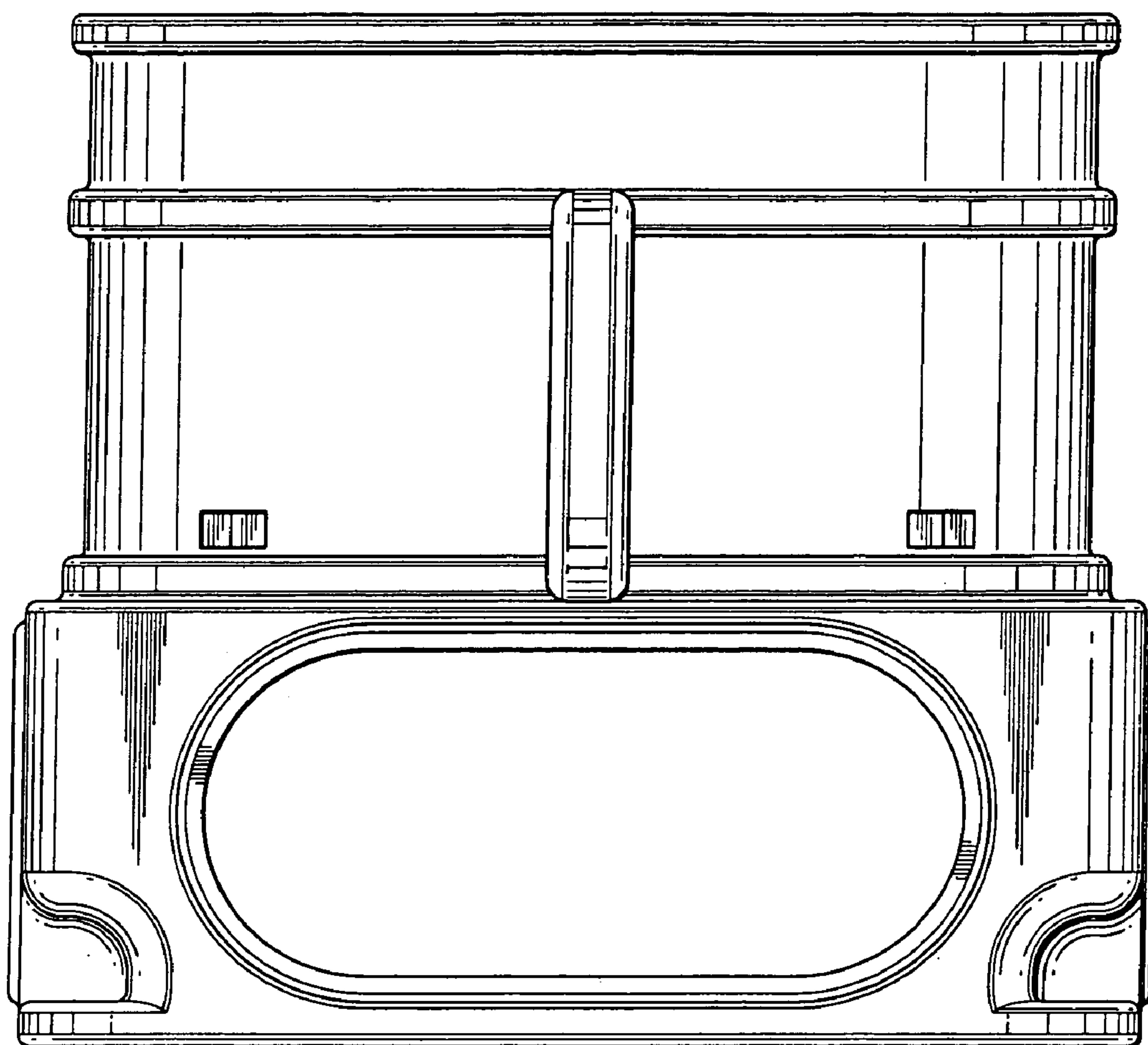


FIG. 5

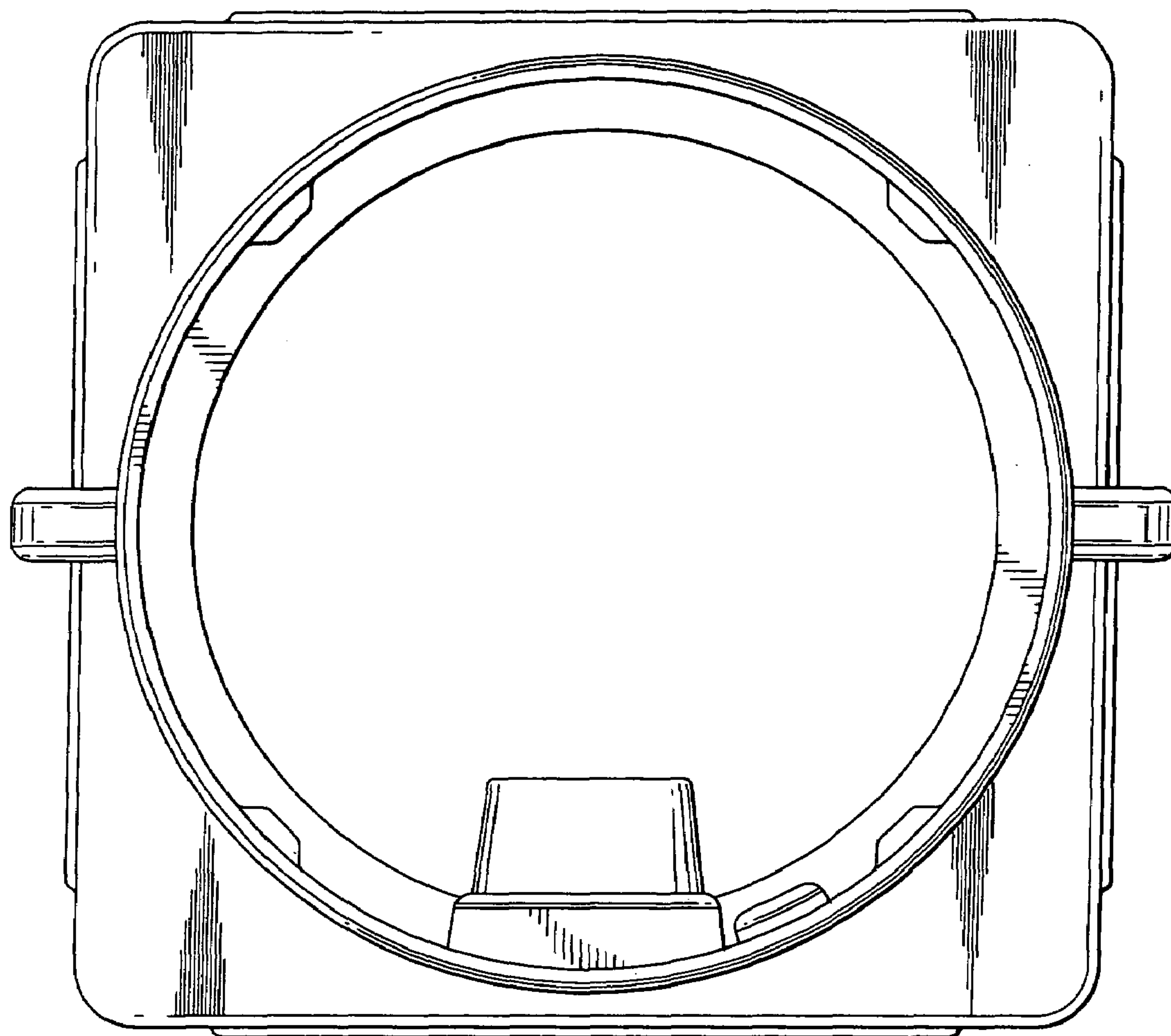


FIG. 6

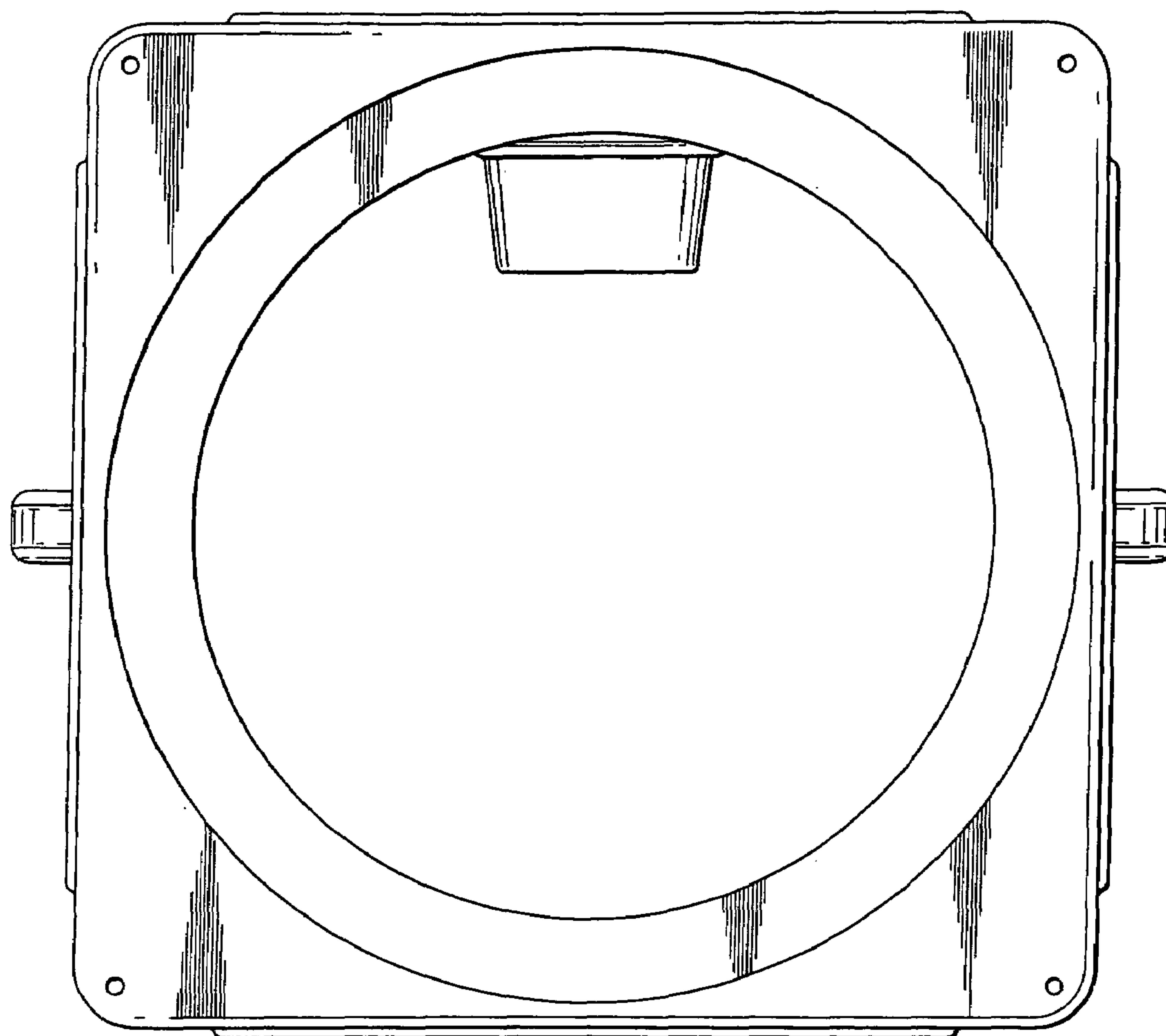


FIG. 7