



US00D571448S

(12) **United States Design Patent**
Bucher et al.

(10) **Patent No.:** **US D571,448 S**
(45) **Date of Patent:** **** Jun. 17, 2008**

(54) **SHROUD FLOOR FAN**

D509,582 S 9/2005 Redetzke D23/411
D531,718 S * 11/2006 Bucher et al. D23/382

(75) Inventors: **John C. Bucher**, Hillsboro Bch, FL
(US); **Margaret S. Hollis**, Smyrna, GA
(US); **Chad Ricker**, North Lauderdale,
FL (US)

* cited by examiner

Primary Examiner—Lisa Lichtenstein
(74) *Attorney, Agent, or Firm*—Brian S. Steinberger; Law
Offices of Brian S. Steinberger, P.A.

(73) Assignee: **King of Fans, Inc.**, Fort Lauderdale, FL
(US)

(57) **CLAIM**

(**) Term: **14 Years**

The ornamental design for a shroud floor fan, as shown and
described.

(21) Appl. No.: **29/268,024**

(22) Filed: **Oct. 27, 2006**

Related U.S. Application Data

(62) Division of application No. 29/223,676, filed on Feb.
17, 2005, now Pat. No. Des. 531,718.

(51) **LOC (8) Cl.** **23-04**

(52) **U.S. Cl.** **D23/382**

(58) **Field of Classification Search** D23/382,
D23/381, 332, 370, 411, 412; 416/246 R,
416/247 R, 244 R

See application file for complete search history.

DESCRIPTION

FIG. 1 is a left front perspective view of the shroud floor fan.

FIG. 2 is right front perspective view of the shroud floor fan
design of FIG. 1.

FIG. 3 is a left rear perspective view of the shroud floor fan
design of FIG. 1.

FIG. 4 is a right rear perspective view of the shroud floor fan
design of FIG. 1.

FIG. 5 is a left side view of the shroud floor fan design of FIG.
1.

FIG. 6 is a right side view of the shroud floor fan design of
FIG. 1.

FIG. 7 is a front view of the shroud floor fan design of FIG. 1.

FIG. 8 is a rear view of the shroud floor fan design of FIG. 1.

FIG. 9 is top view of the shroud floor fan design of FIG. 1;
and,

FIG. 10 is bottom view of the shroud floor fan design of FIG.
1.

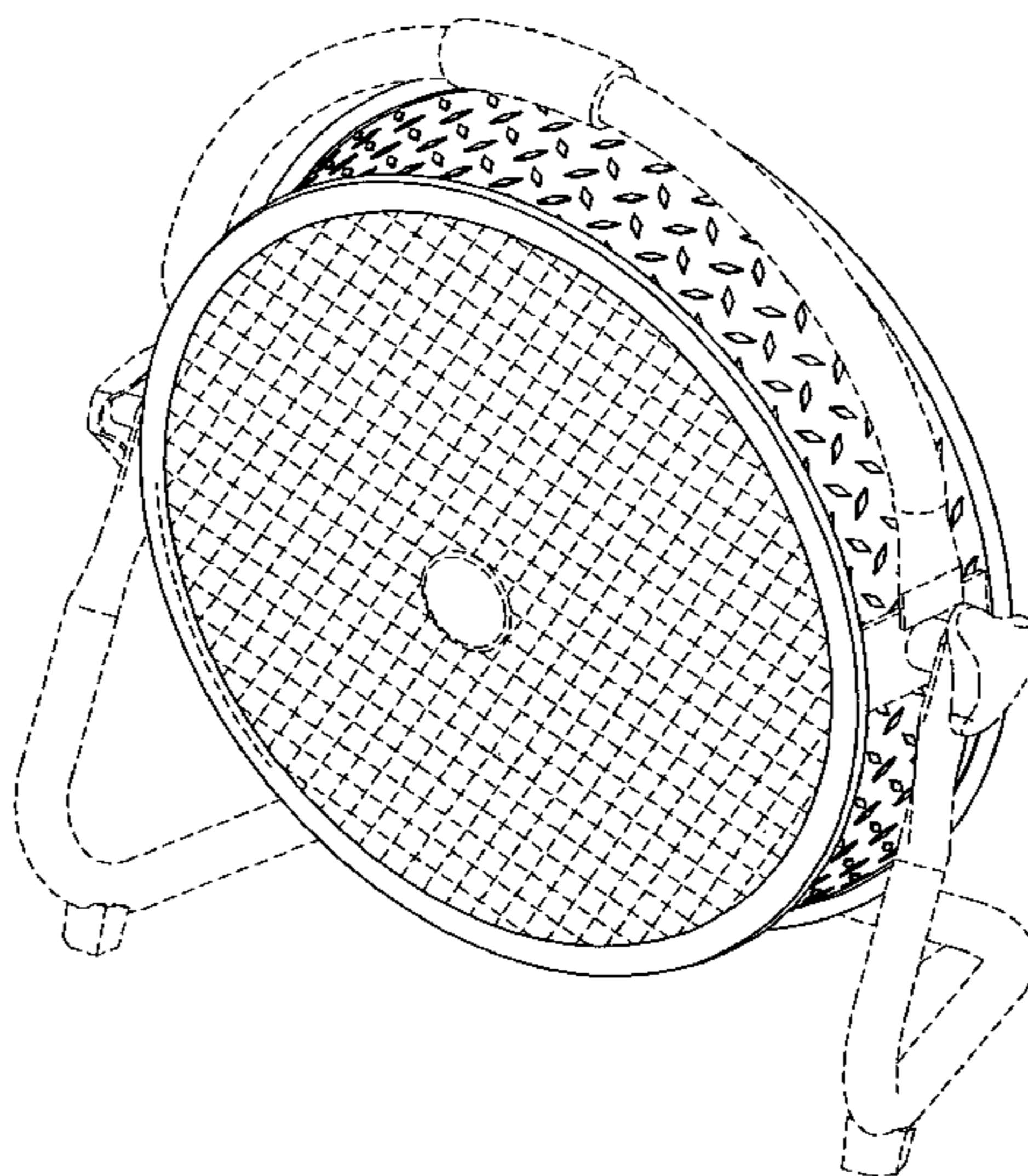
The broken line showing of the handle, stand and other por-
tions of the shroud floor fan is included for the purpose of
illustrating environmental structure and forms no part of the
claimed design.

(56) **References Cited**

U.S. PATENT DOCUMENTS

D307,320 S	4/1990	Shin-Chin	D23/382
D323,885 S	2/1992	Wortham	D23/378
5,265,895 A	11/1993	Barrett	280/47.24
D384,738 S	10/1997	Jane et al.	D23/378
D386,565 S	11/1997	Jane et al.	D23/382
D416,617 S	11/1999	Jane et al.	D23/378
D426,296 S	6/2000	Blateri	D23/382
D426,631 S	6/2000	Thakur	D23/378
D444,552 S	7/2001	Wang	D23/382
D480,466 S	10/2003	Bucher et al.	D12/382
D482,438 S	11/2003	Barker et al.	D23/382
D483,468 S	12/2003	Wong	D23/382

1 Claim, 10 Drawing Sheets



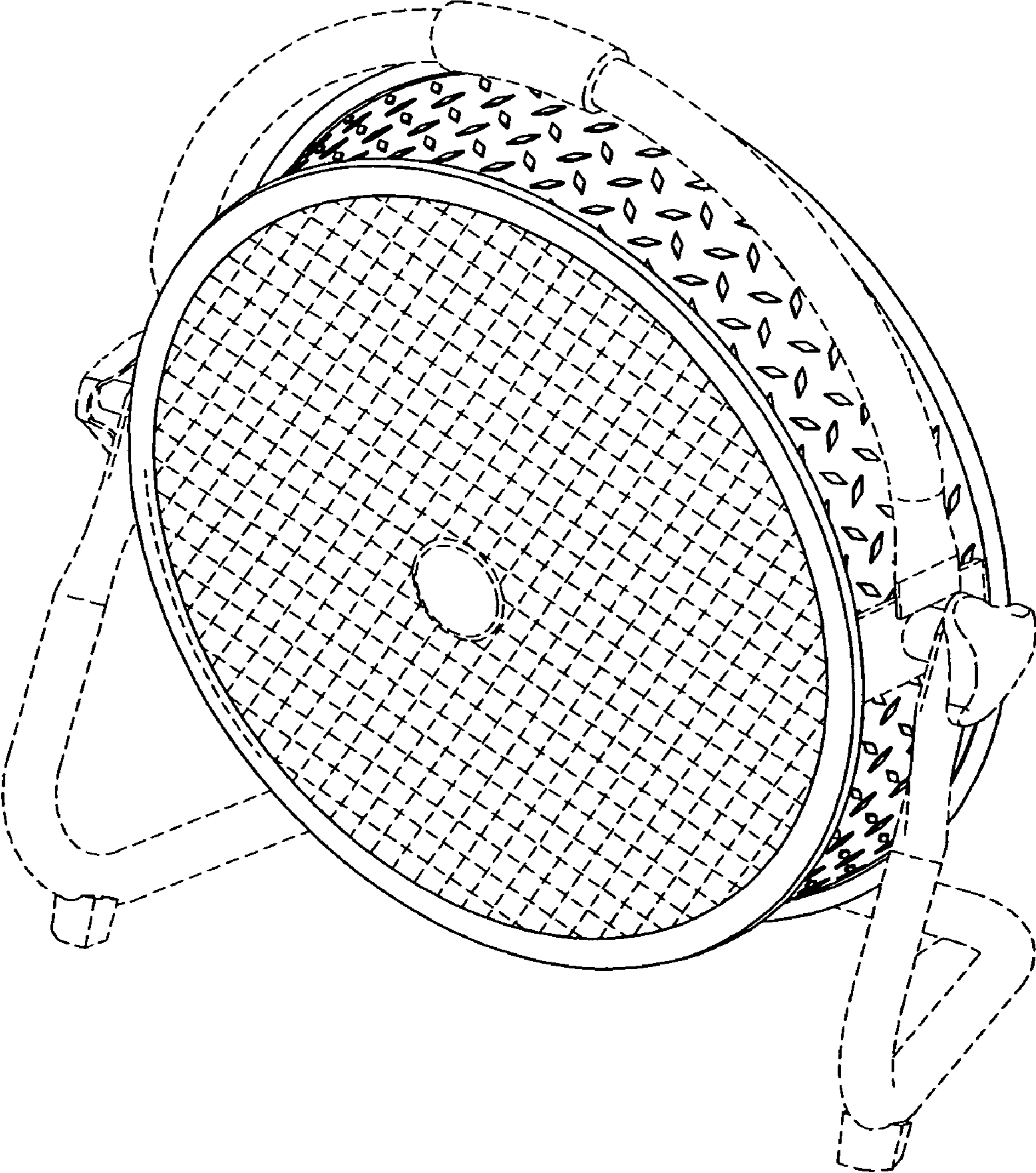


Fig. 1

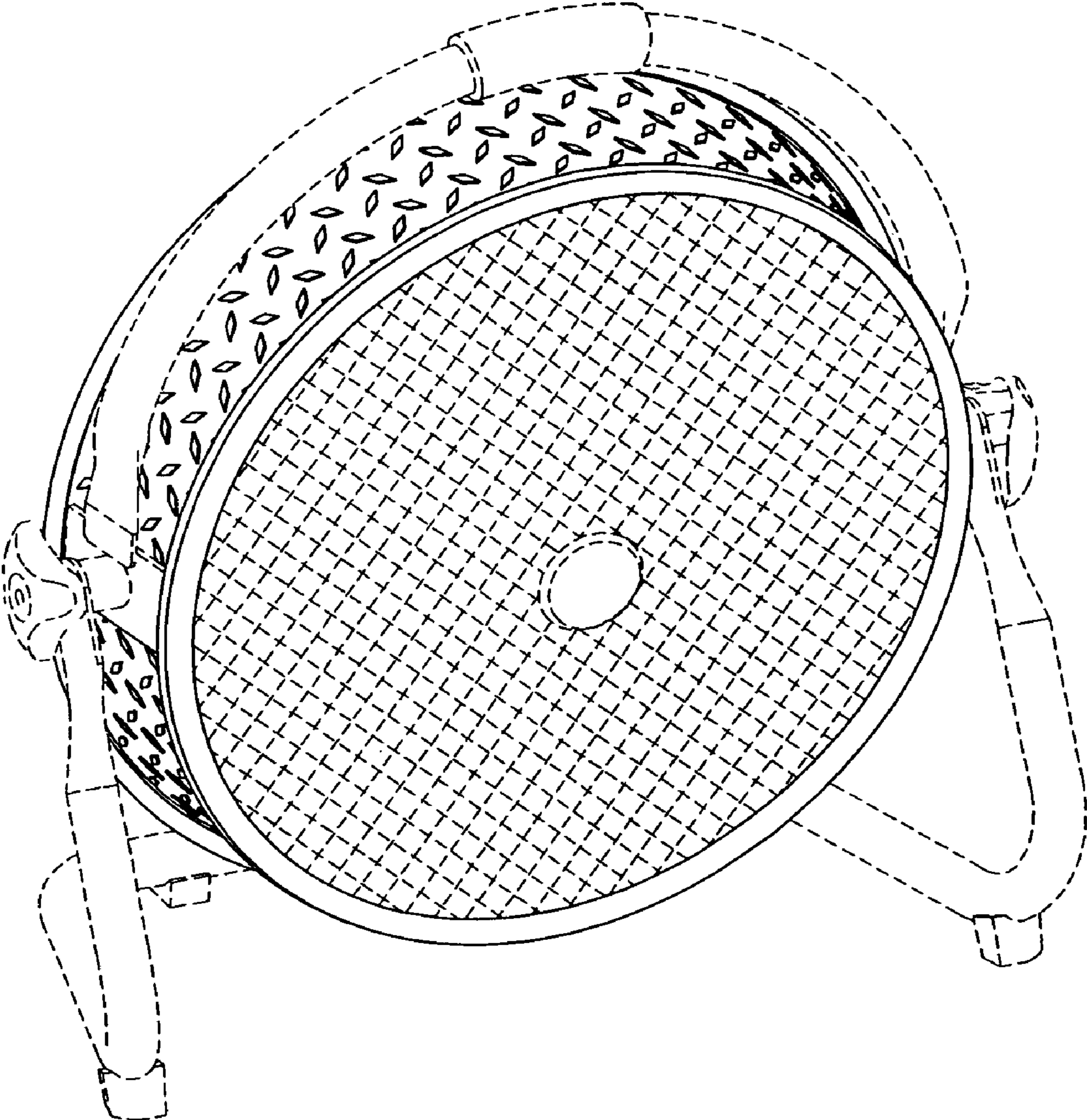


Fig.2

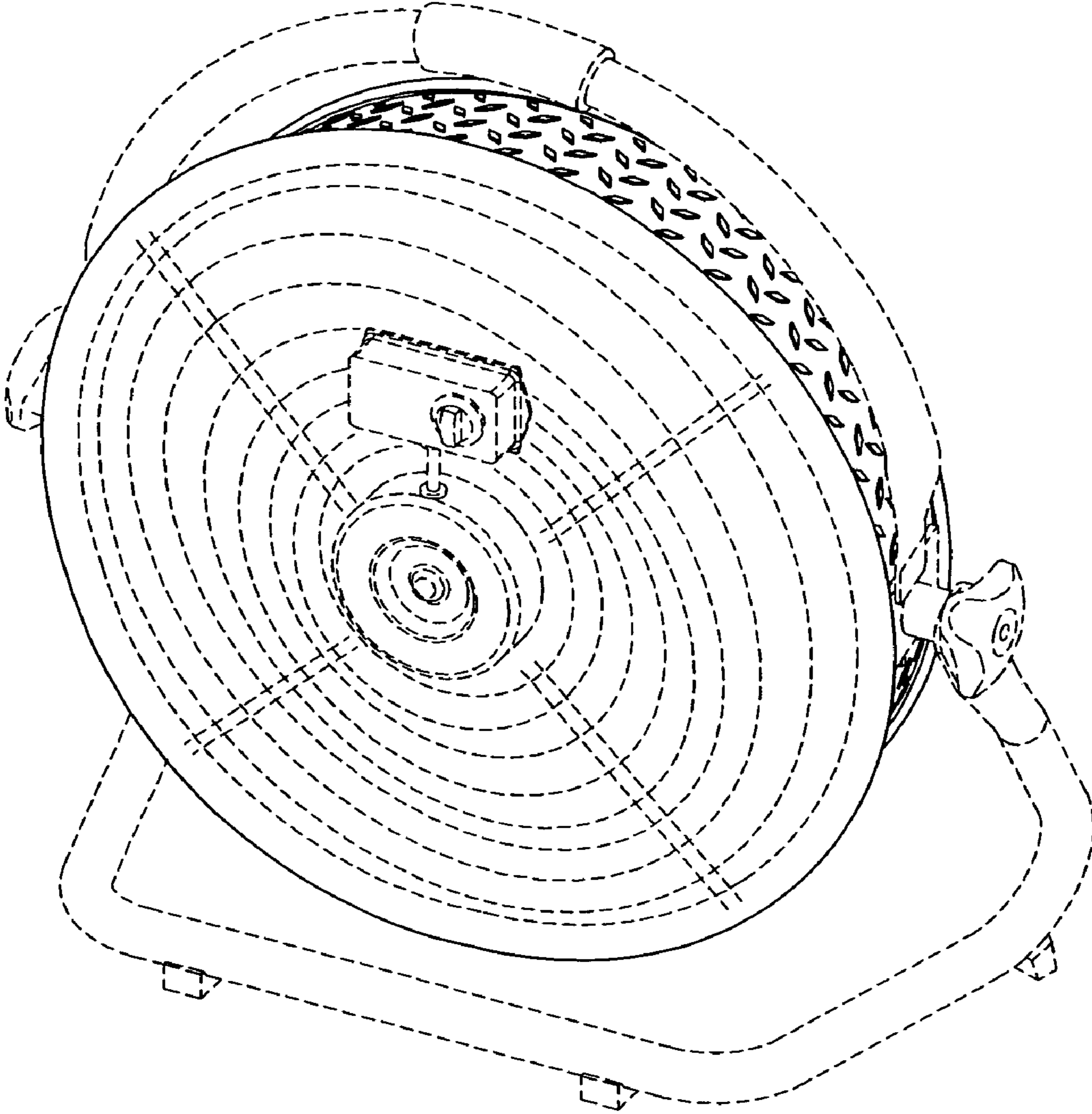


Fig.3

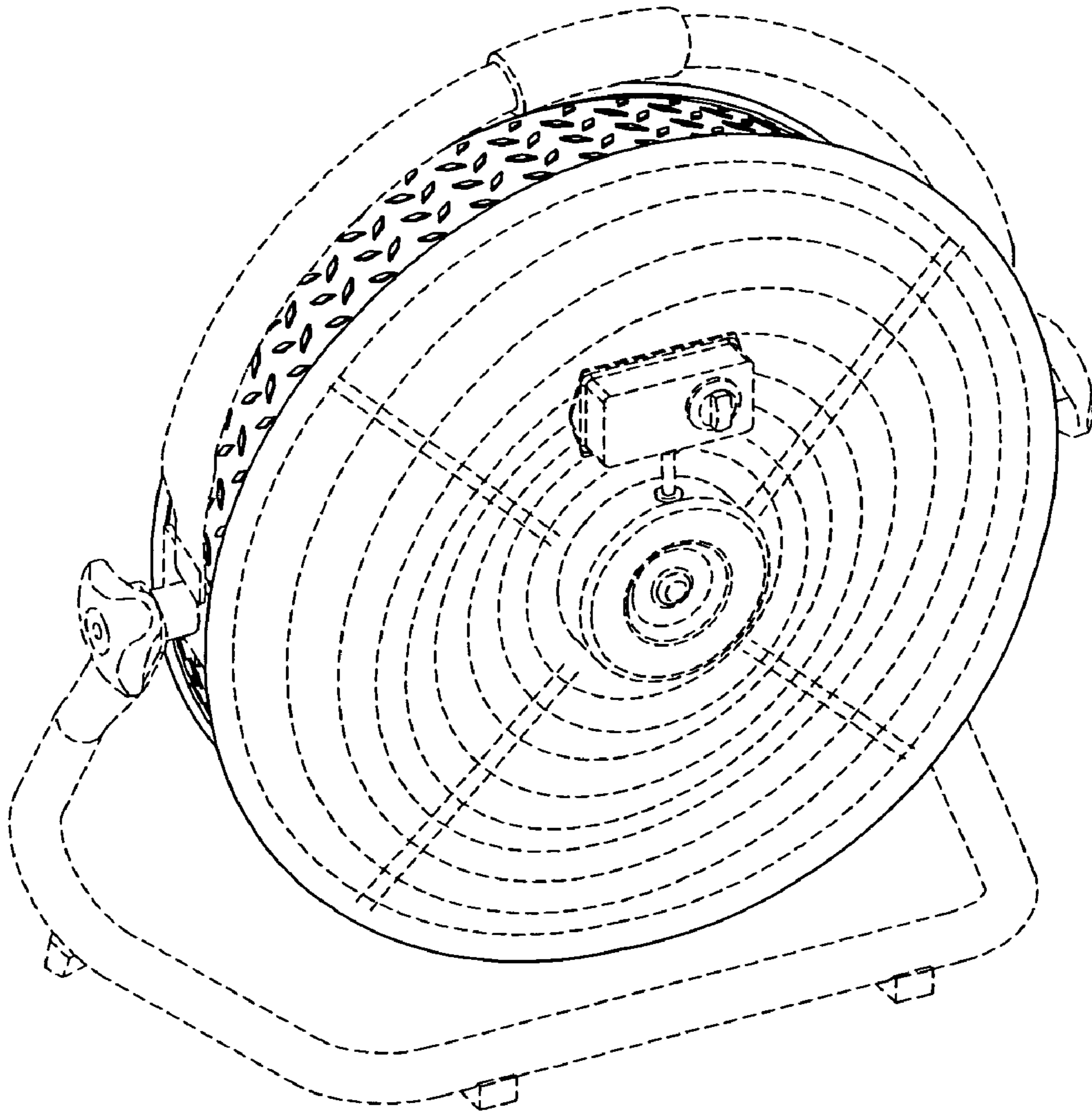


Fig.4

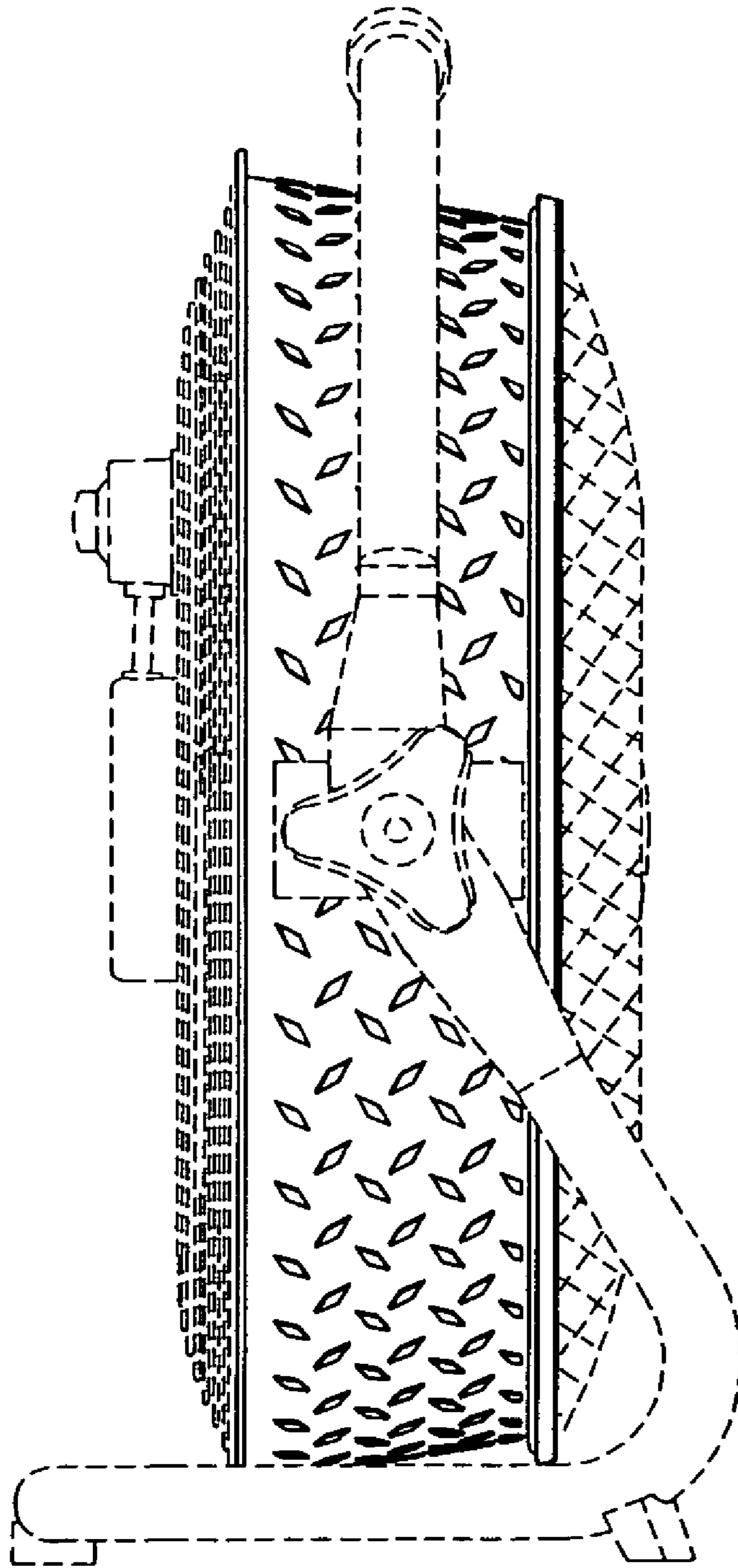


Fig.5

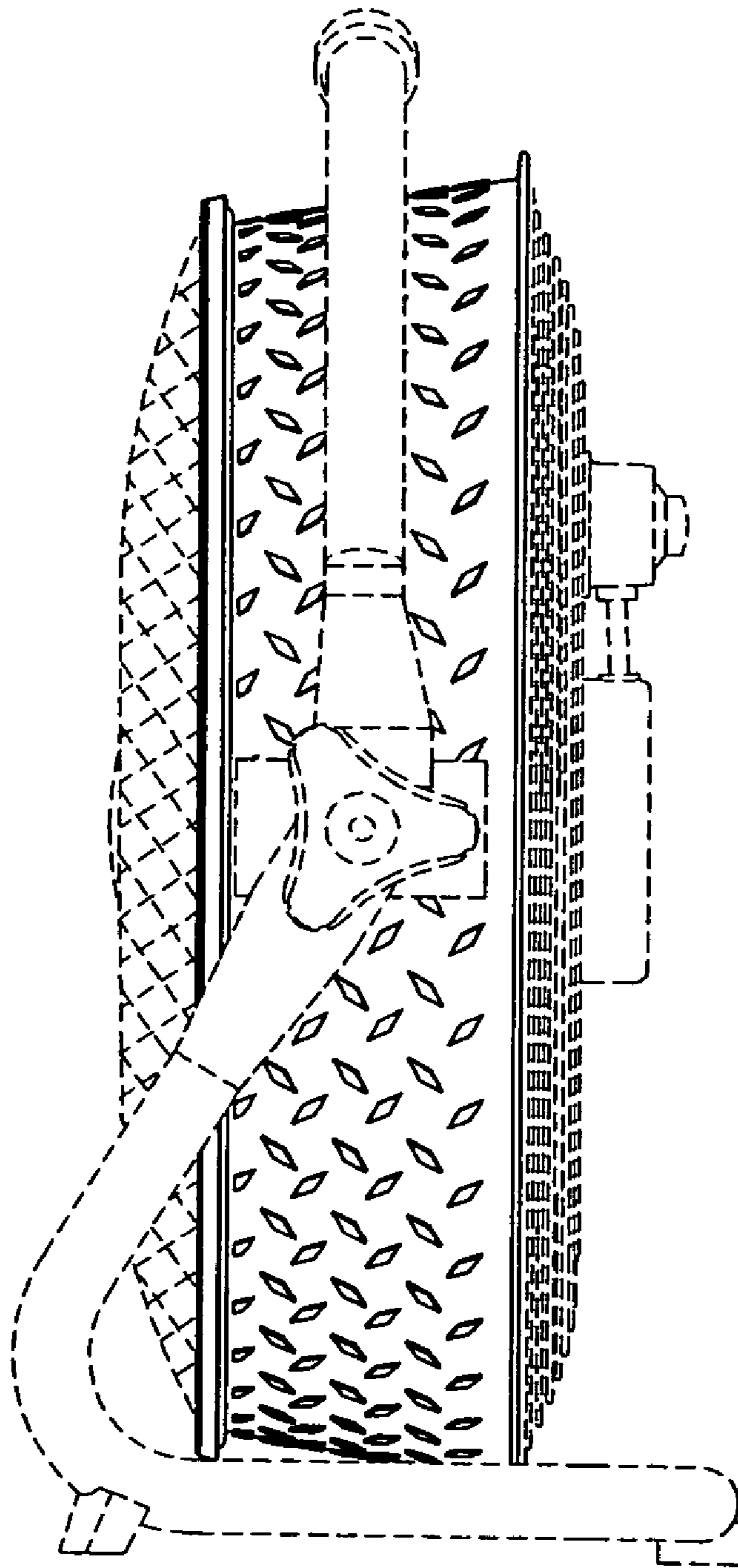


Fig.6

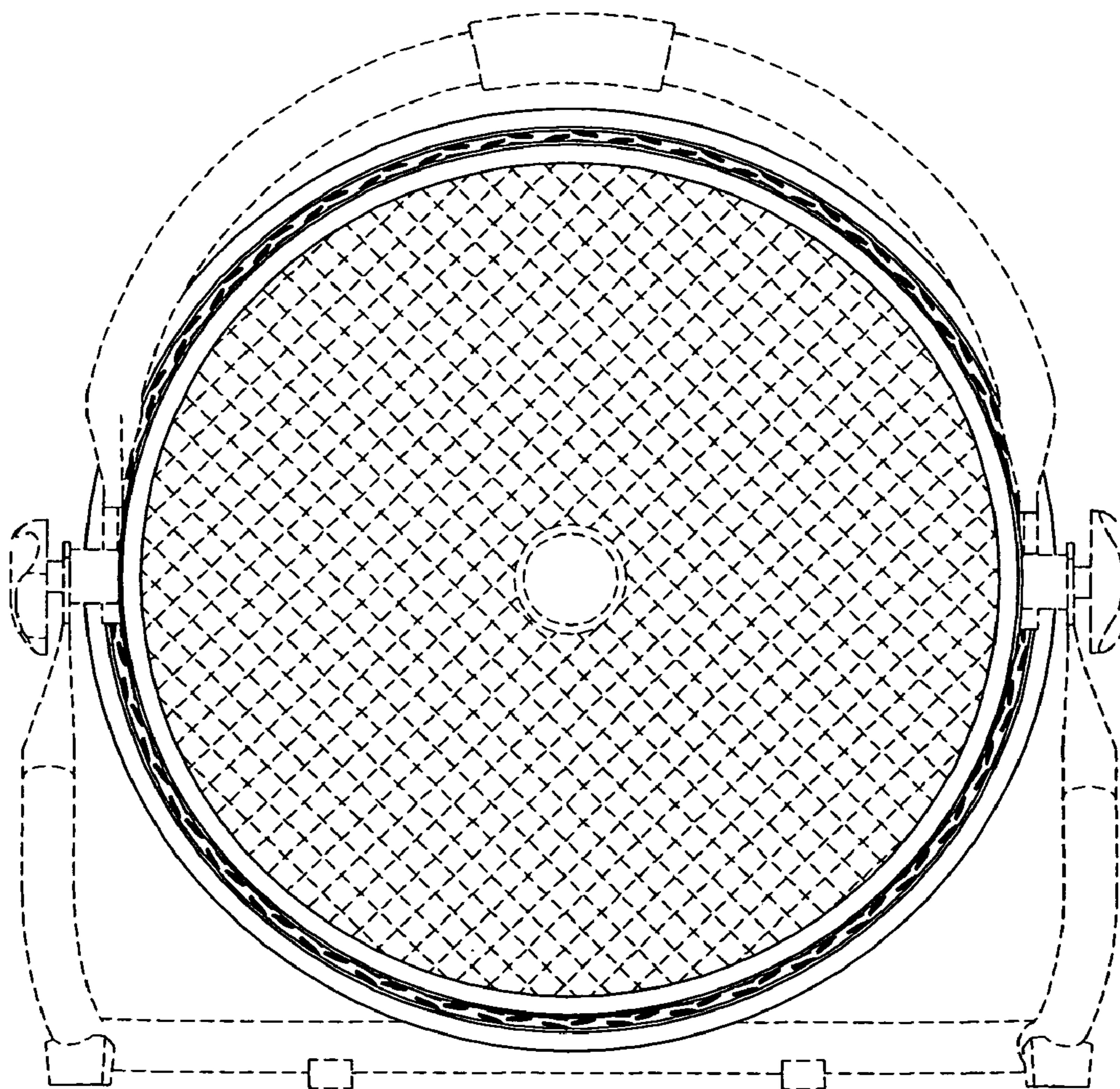


Fig.7

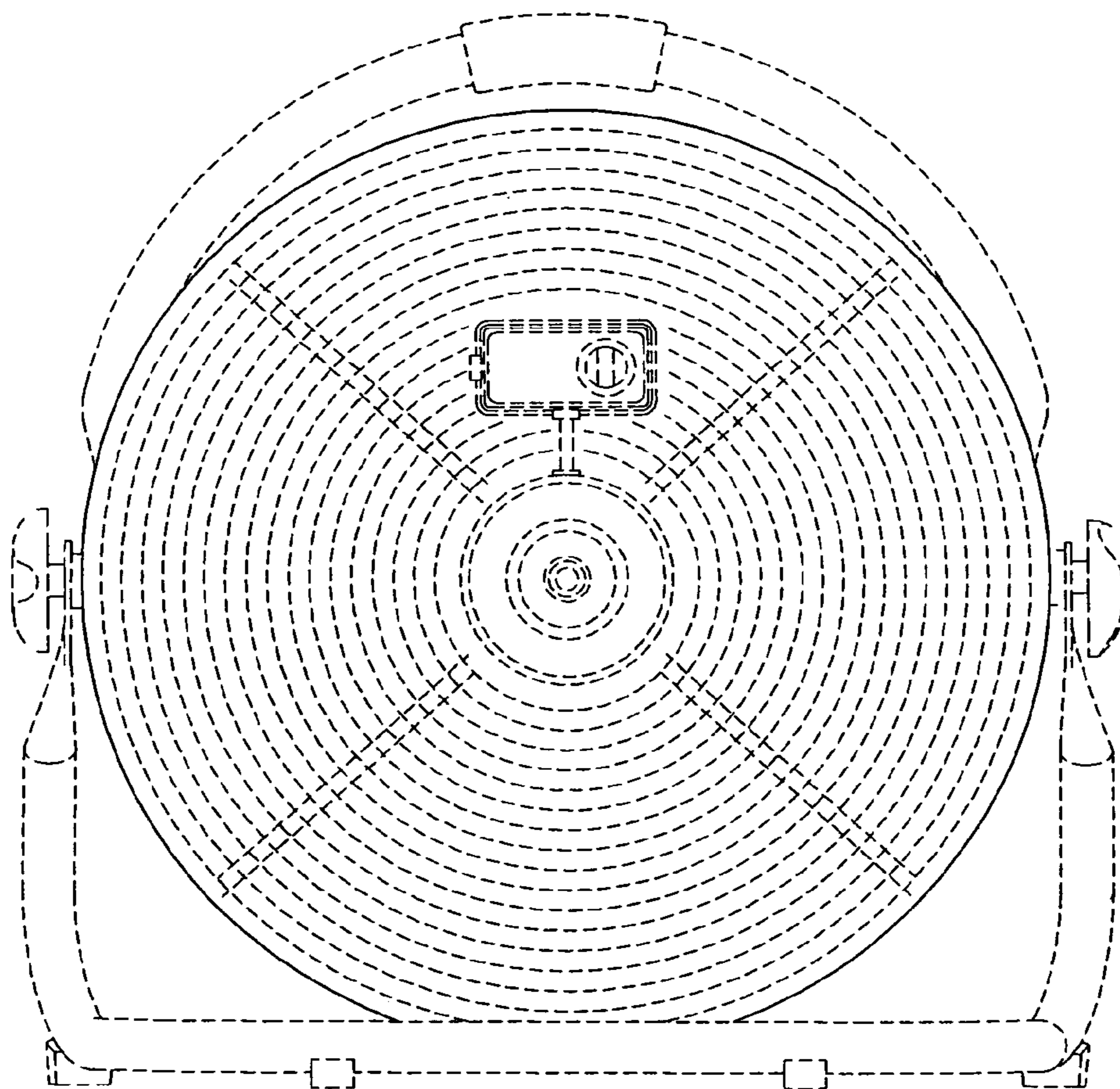


Fig.8

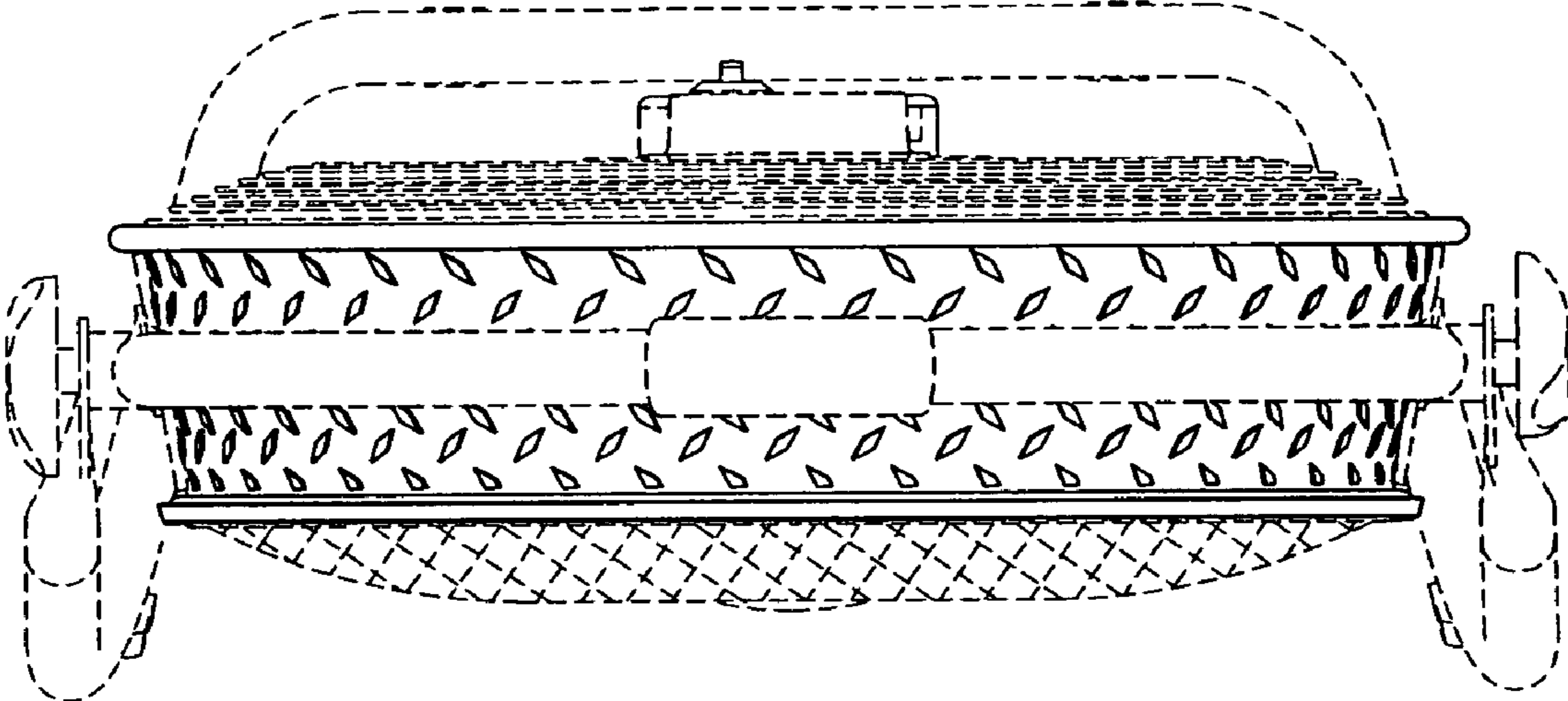


Fig.9

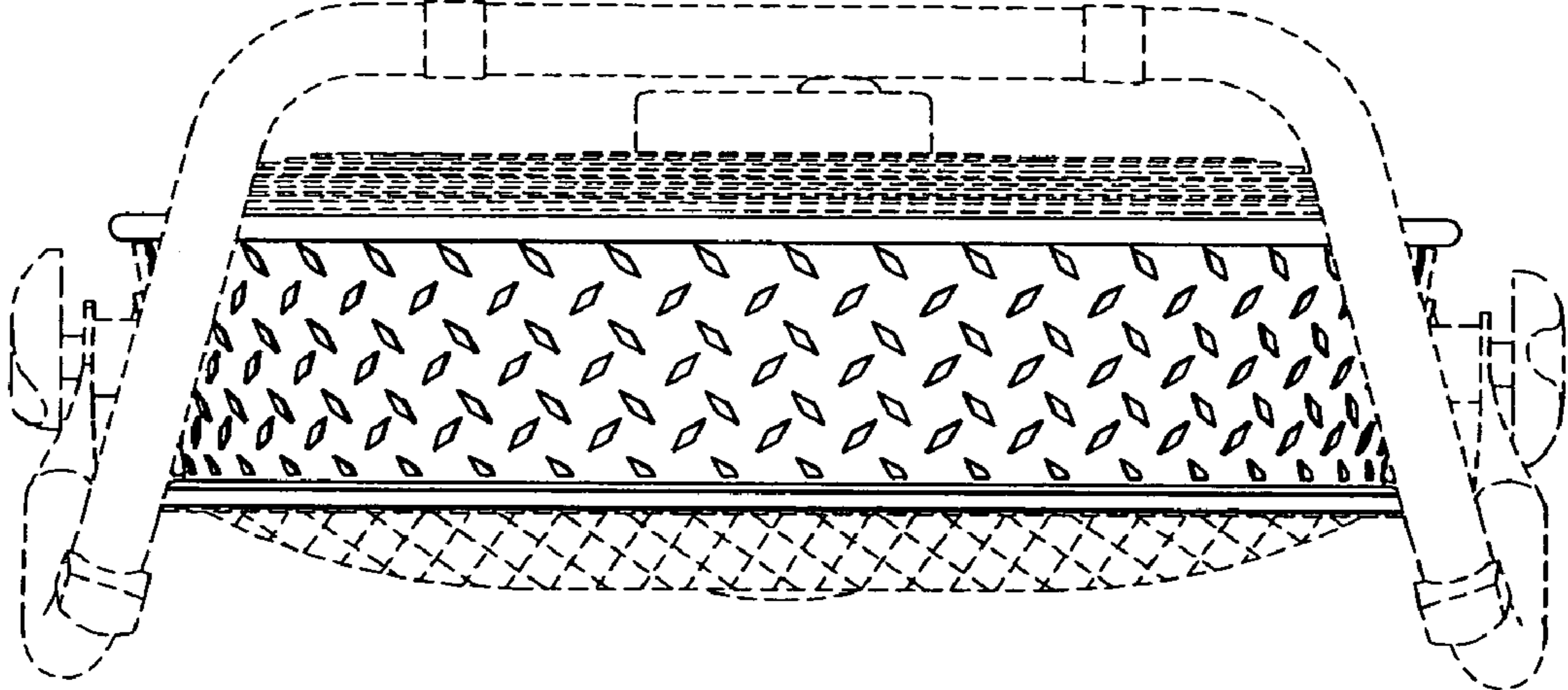


Fig.10