



US00D571442S

(12) **United States Design Patent**
Bailey et al.

(10) **Patent No.:** **US D571,442 S**
(45) **Date of Patent:** **** Jun. 17, 2008**

(54) **SUPPORT SEAT FOR TOILET**

D378,311 S * 3/1997 Dartnall D23/311
D556,305 S * 11/2007 Genord et al. D23/309

(75) Inventors: **Curtis Bailey**, Birmingham, MI (US);
Evan Carpenter-Crawford, Farmington
Hills, MI (US); **Daniel Genord**, South
Lyon, MI (US)

* cited by examiner

Primary Examiner—Robert A Delehanty

(74) *Attorney, Agent, or Firm*—Edgar A. Zarims; Lloyd D.
Doigan

(73) Assignee: **Liberty Hardware Mfg. Corp.**,
Winston-Salem, NC (US)

(**) Term: **14 Years**

(57) **CLAIM**

(21) Appl. No.: **29/271,103**

The ornamental design for a support seat for toilet, as shown
and described.

(22) Filed: **Jan. 10, 2007**

DESCRIPTION

(51) **LOC (8) Cl.** **23-02**

(52) **U.S. Cl.** **D23/311**

(58) **Field of Classification Search** D23/303,
D23/309, 311, 296–297; 4/444, 483, 485–486,
4/217, 234–235, 237–239, 242.1, DIG. 6,
4/902

FIG. 1 is a perspective view of a support seat for toilet show-
ing our new design;

FIG. 2 is a top plan view thereof;

FIG. 3 is a front elevational view thereof; and,

FIG. 4 is a left side view thereof; the opposite side being a
mirror image of the side shown.

See application file for complete search history.

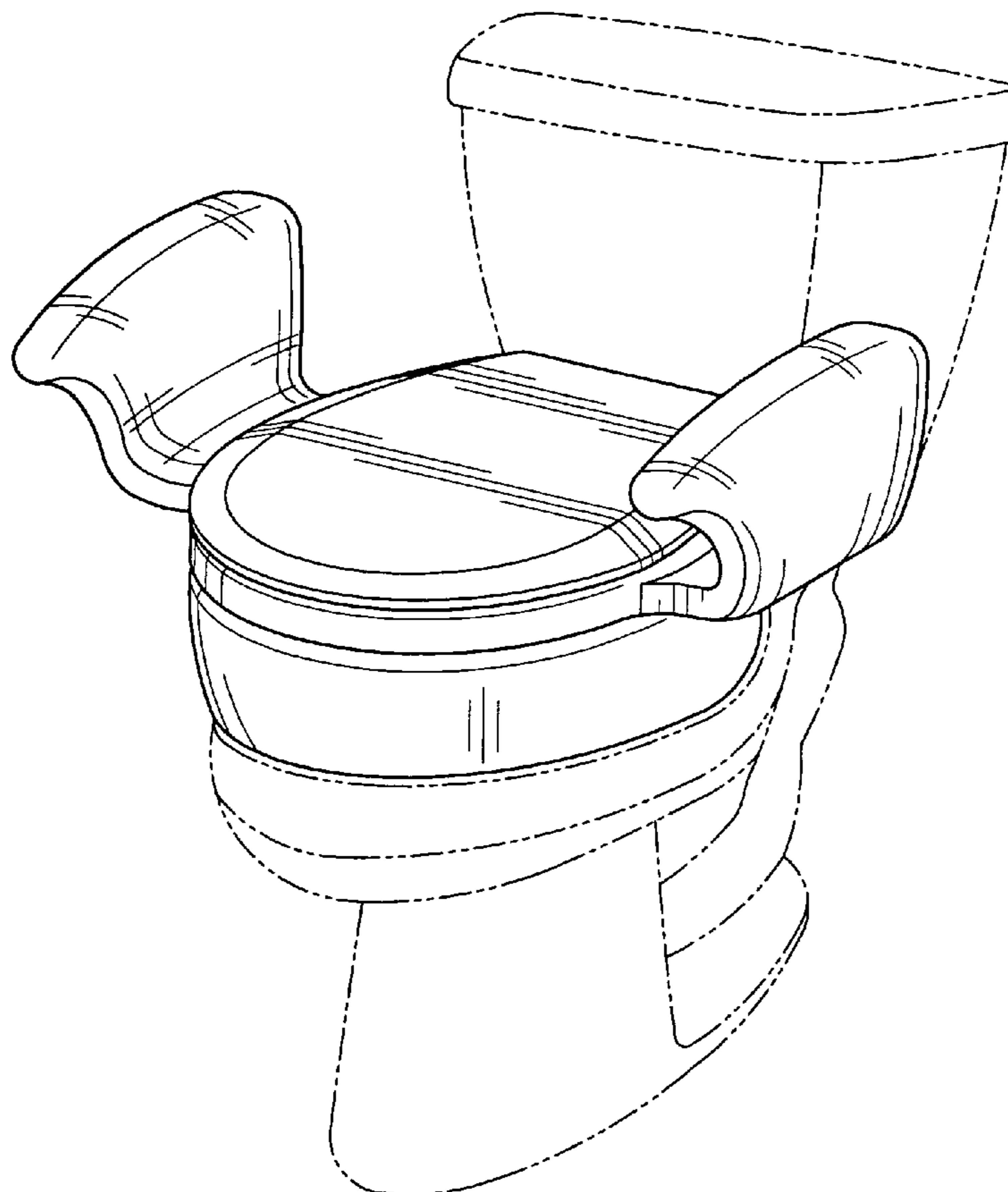
The broken line showing of a toilet in FIG. 1 is for illustrative
purposes only and forms no part of the claimed design.

(56) **References Cited**

U.S. PATENT DOCUMENTS

D377,208 S * 1/1997 Kivela D23/311

1 Claim, 2 Drawing Sheets



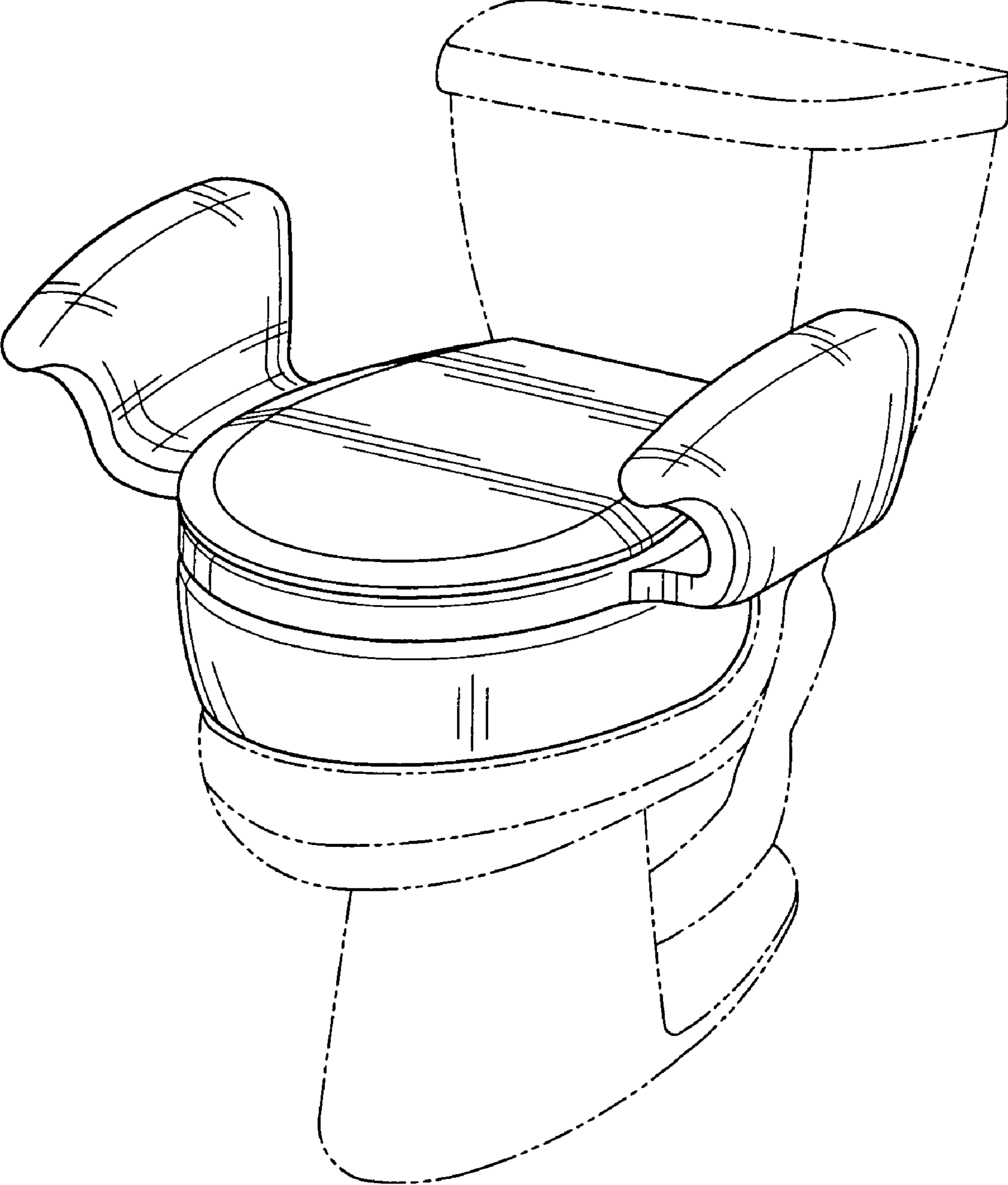


Fig-1

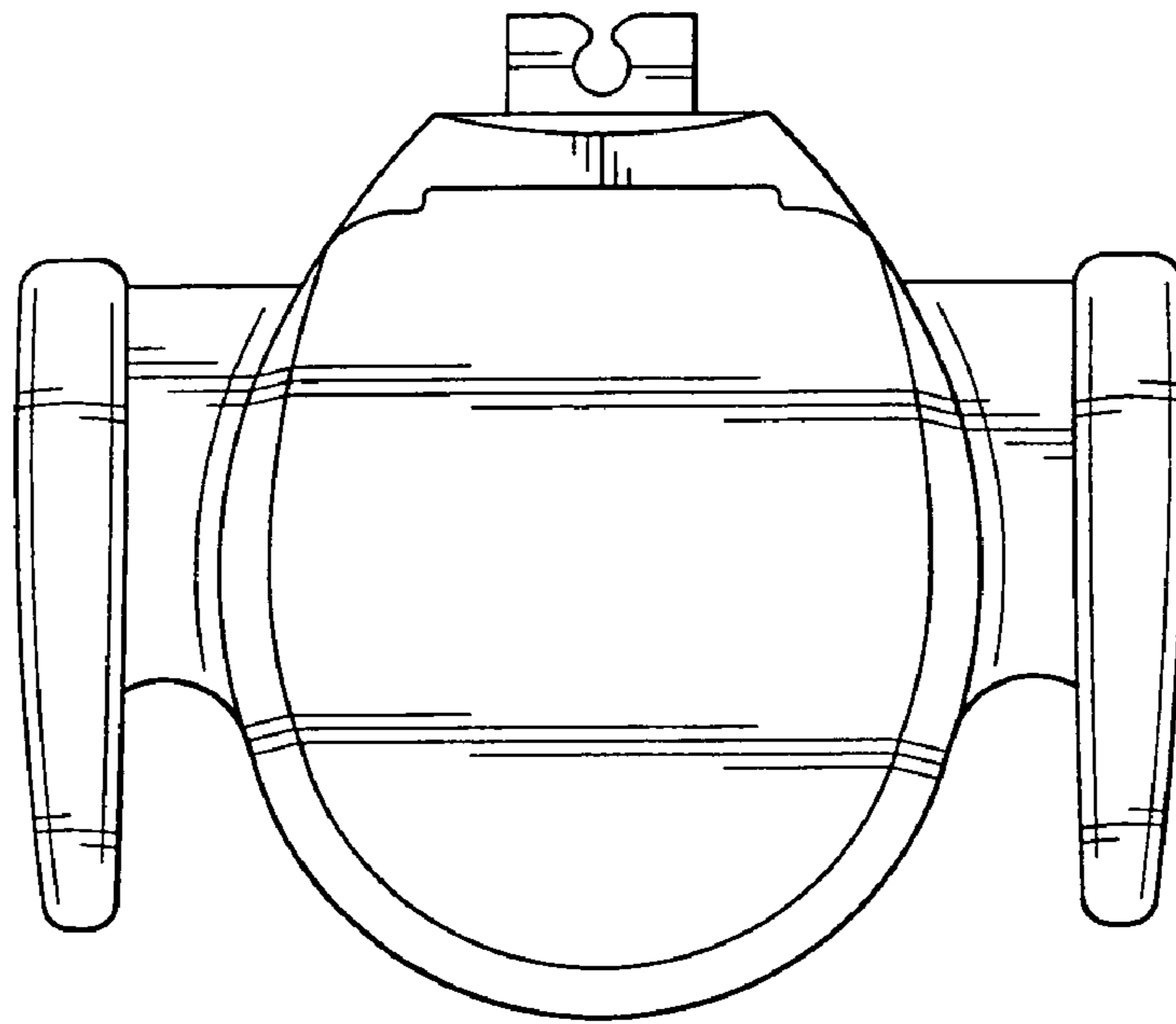


Fig-2

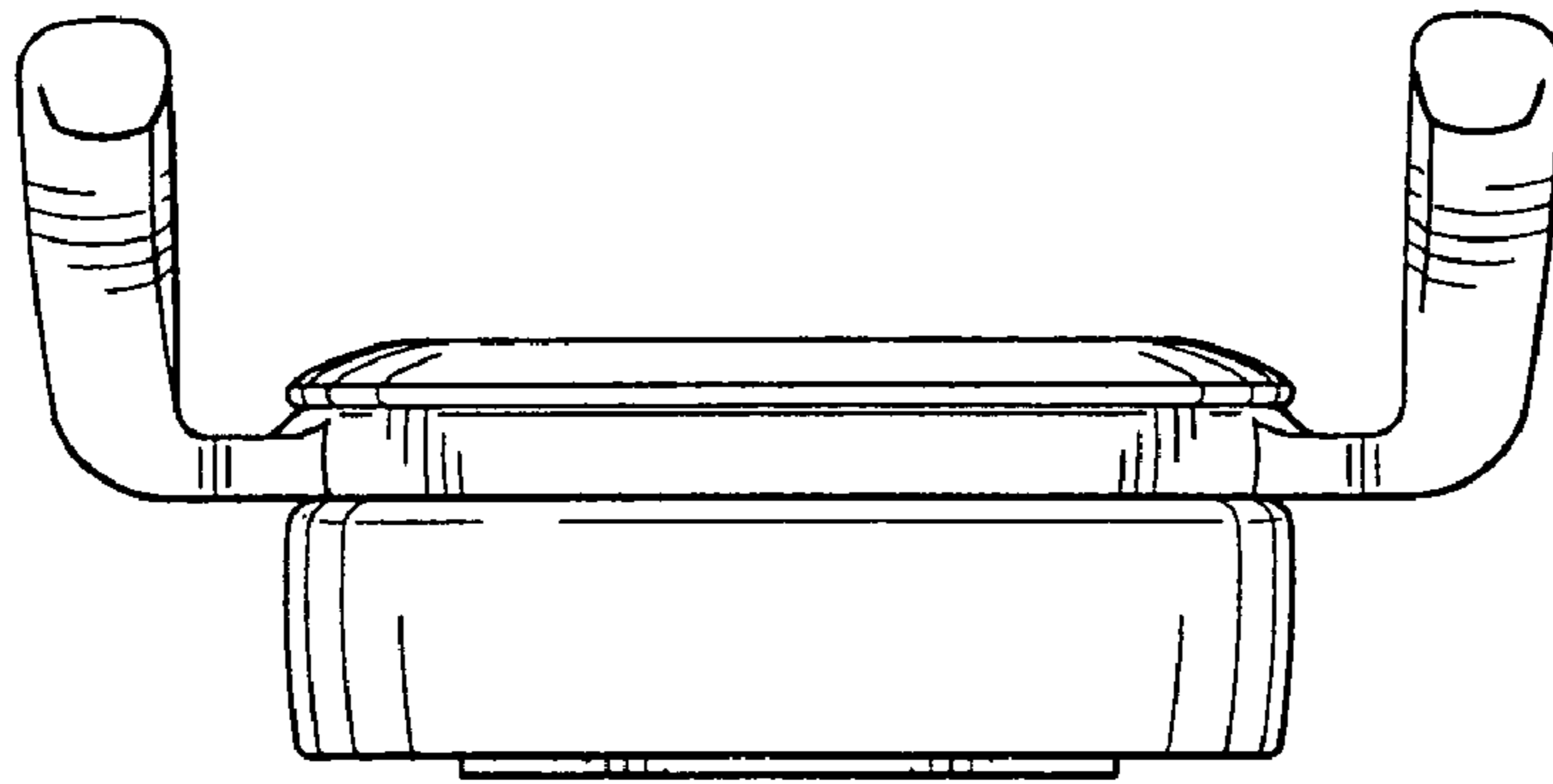


Fig-3

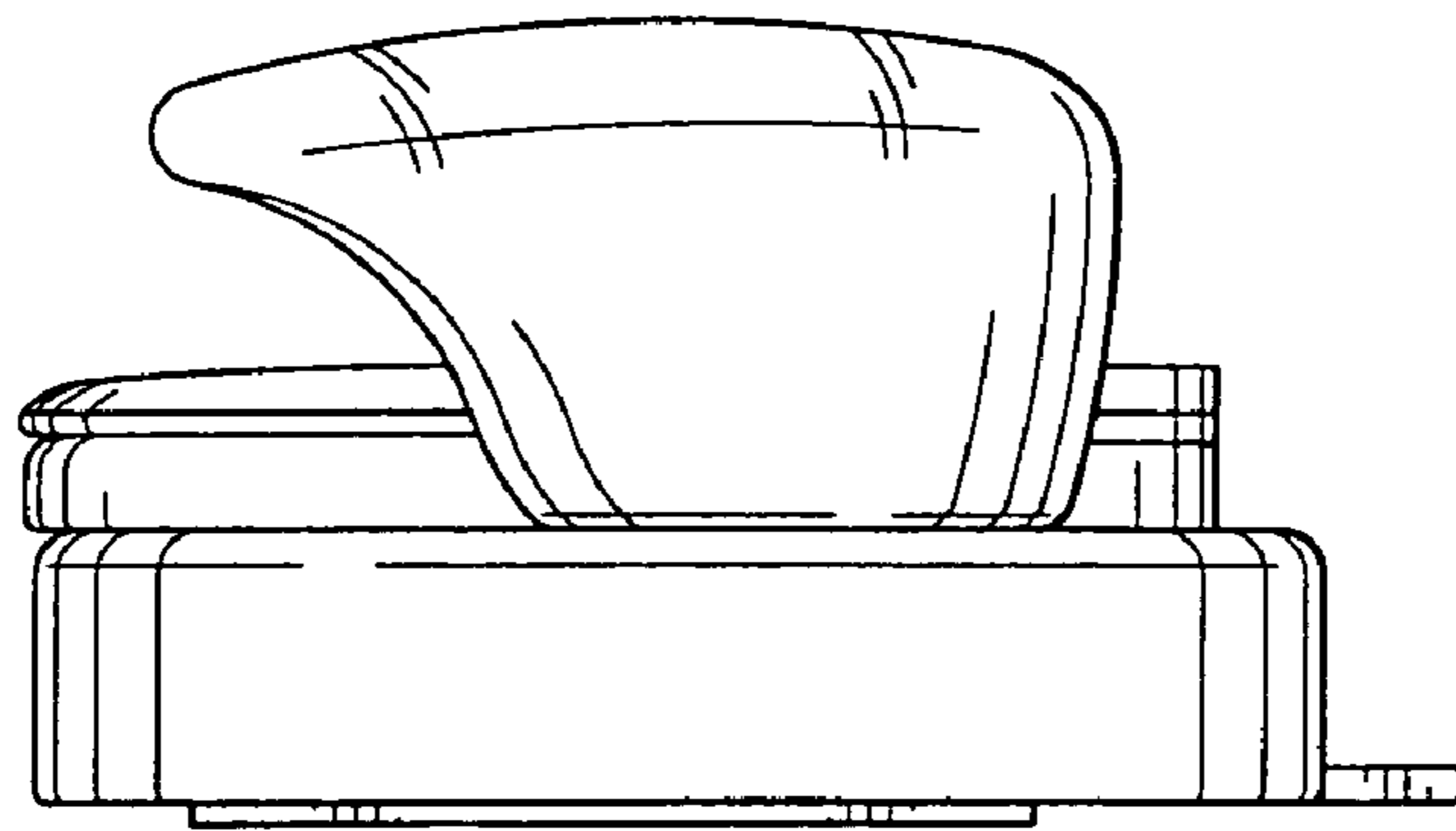


Fig-4