



US00D571441S

(12) **United States Design Patent**
Sauvageau et al.

(10) **Patent No.:** **US D571,441 S**
(45) **Date of Patent:** **** Jun. 17, 2008**

(54) **SHOWER**

(75) Inventors: **David Sauvageau**, Saint-Romuald (CA);
Patrick Ricci, Repentigny (CA); **Bruno Côté**, Saint-Isidore (CA); **Steve Donnelly**, Saint-Antoine-de-Tilly (CA);
Nicolas Lebrun, Saint-Isidore (CA)

(73) Assignee: **Maax Canada Inc.**, Lachine, Québec (CA)

(**) Term: **14 Years**

(21) Appl. No.: **29/285,561**

(22) Filed: **Apr. 2, 2007**

(30) **Foreign Application Priority Data**

Nov. 9, 2006 (CA) 118181

(51) **LOC (8) Cl.** **23-02**

(52) **U.S. Cl.** **D23/283**

(58) **Field of Classification Search** D23/271,
D23/273, 275, 283, 303-306; 4/546, 552,
4/596-597, 612-614; D24/202-203

See application file for complete search history.

(56) **References Cited**

U.S. PATENT DOCUMENTS

D498,834 S * 11/2004 Rooke et al. D23/304

D500,356 S * 12/2004 Haug et al. D23/283
D534,278 S * 12/2006 Lu D24/202
2007/0197982 A1* 8/2007 Thomason et al. 604/289

OTHER PUBLICATIONS

Jacuzzi Whirlpool Bath, Shower shown in Domus magazine #785, Sep. 1996.*

* cited by examiner

Primary Examiner—Robert A. Delehanty

(74) *Attorney, Agent, or Firm*—Ogilvy Renault, LLP

(57) **CLAIM**

The ornamental design of a shower, as shown and described.

DESCRIPTION

FIG. 1 is a front elevation view of the shower, showing our new design;

FIG. 2 is a left side elevation view thereof;

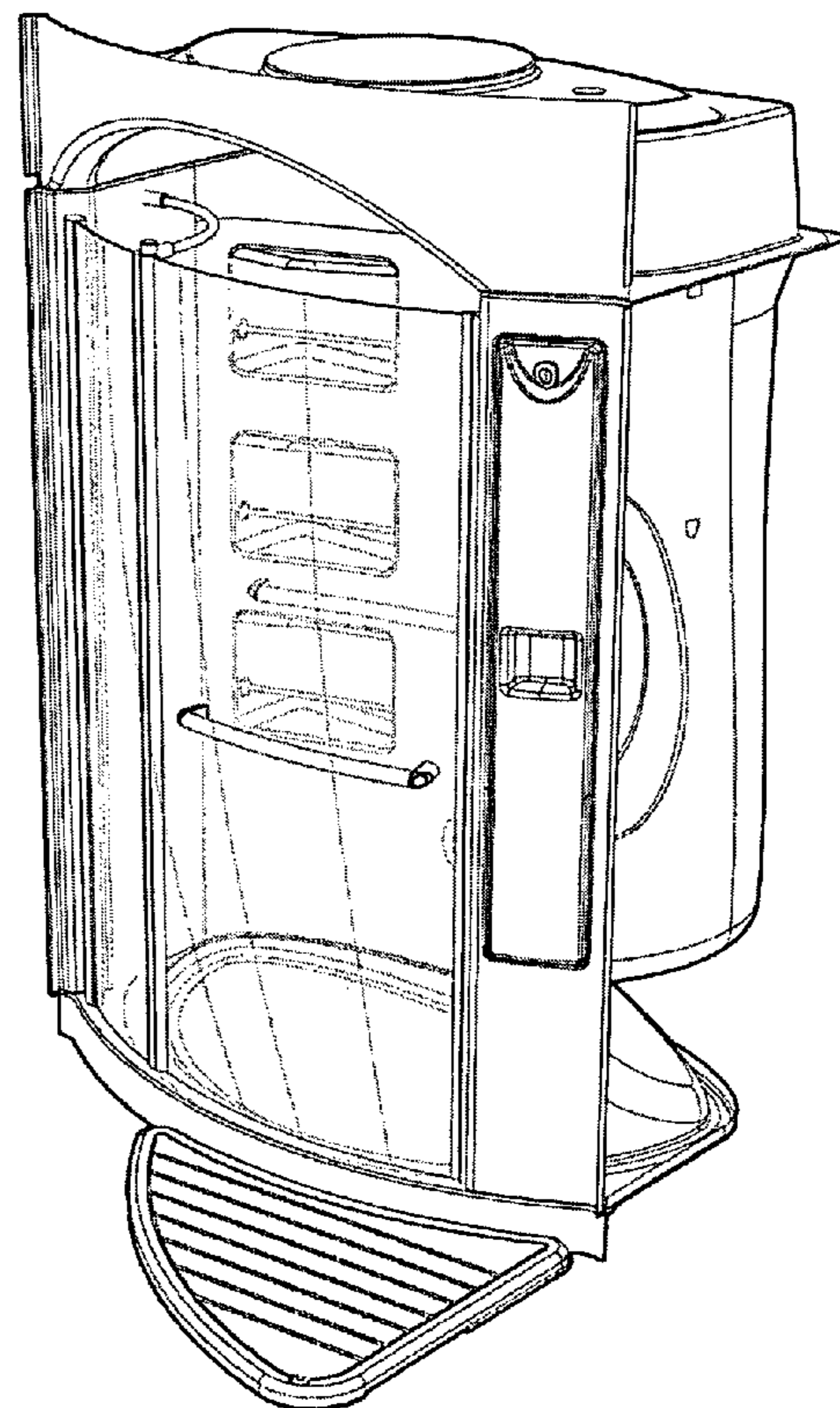
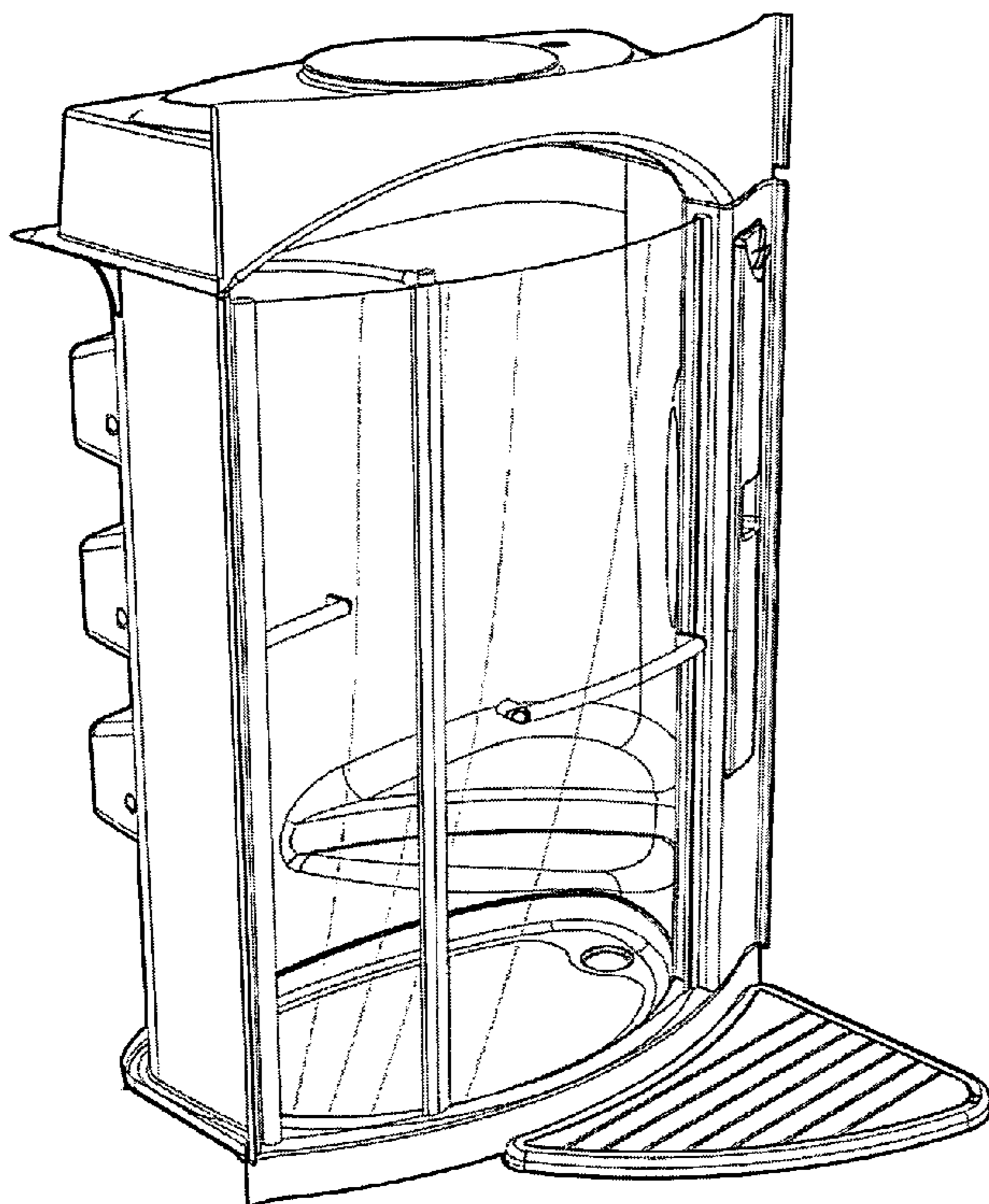
FIG. 3 is a right side elevation view thereof;

FIG. 4 is a top view thereof;

FIG. 5 is a front perspective view thereof; and,

FIG. 6 is a front perspective view thereof.

1 Claim, 2 Drawing Sheets



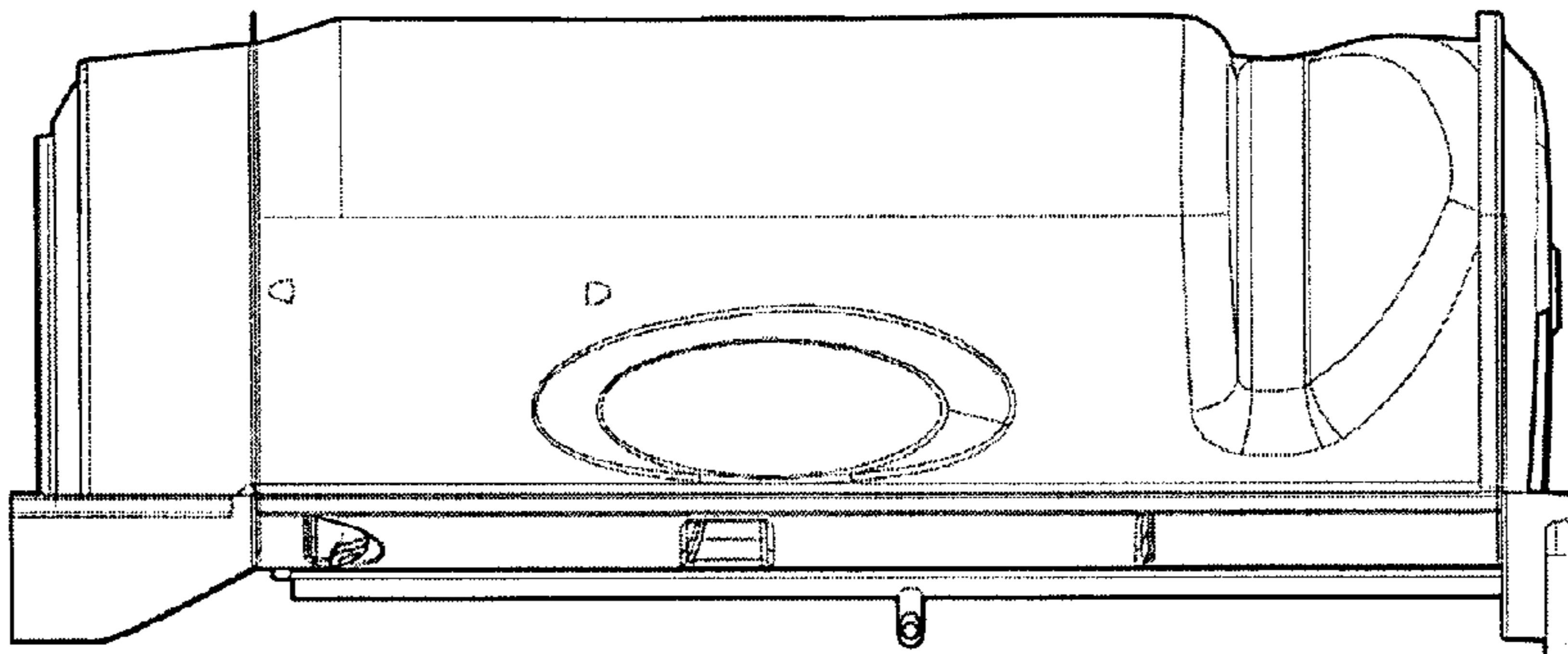


Fig 3

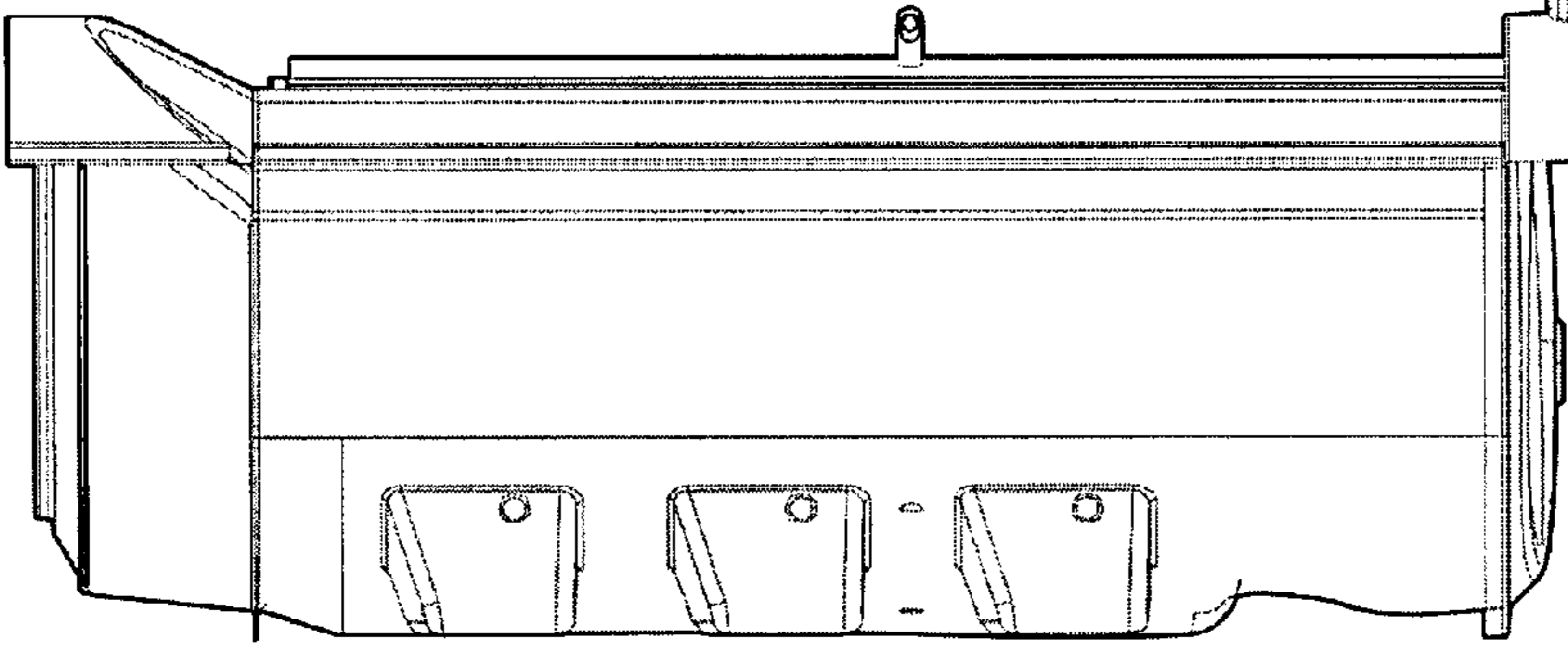


Fig 2

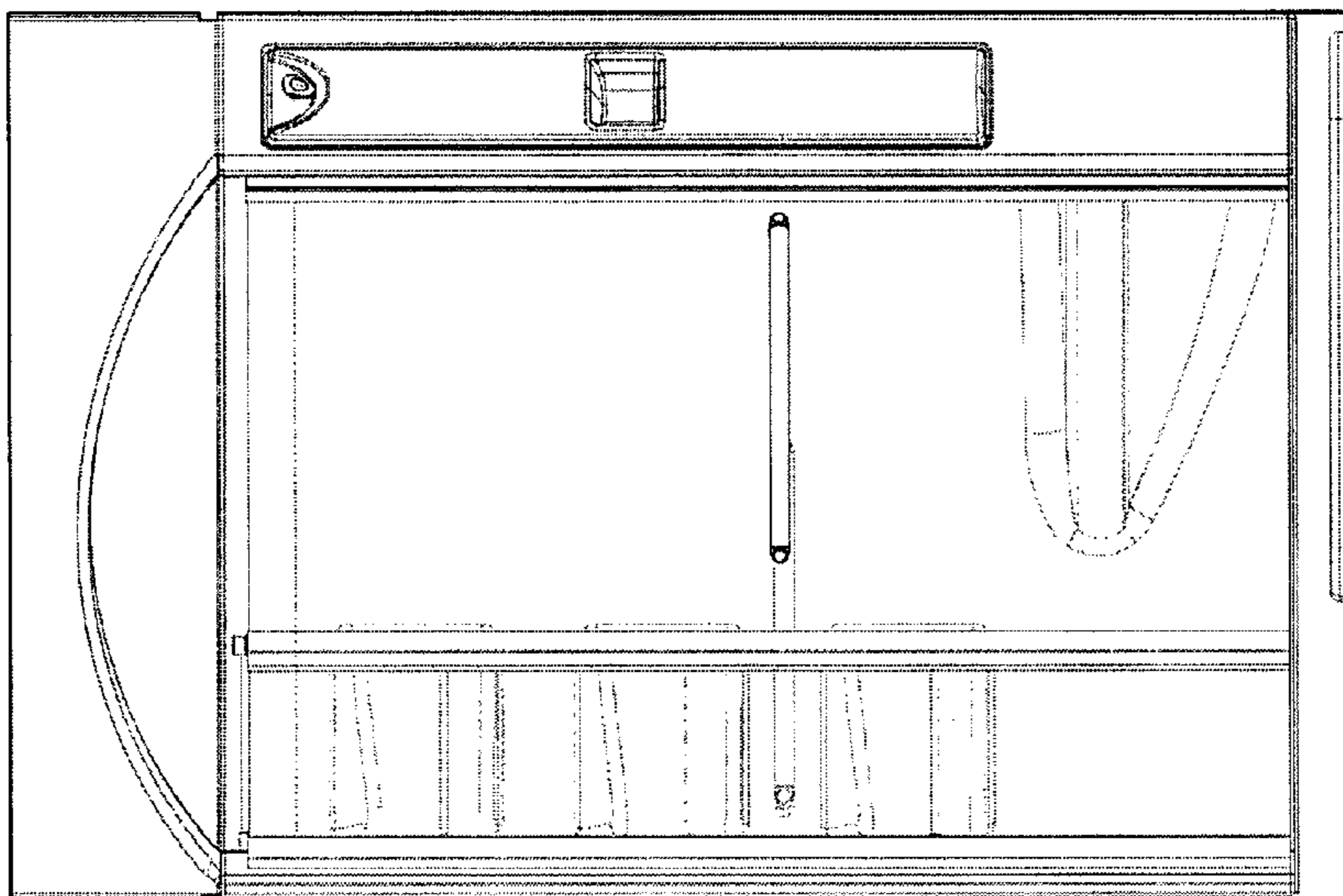


Fig 1

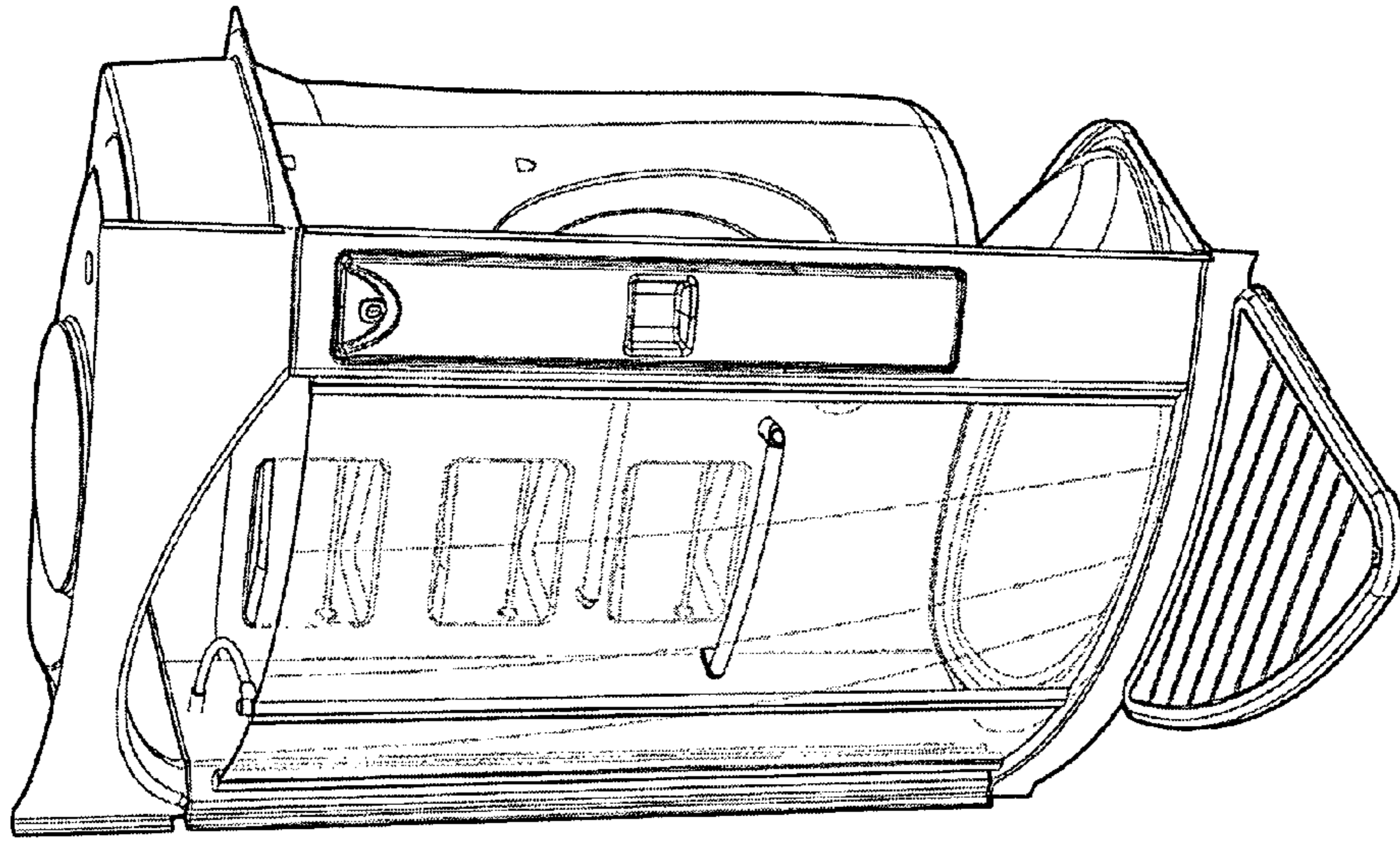


Fig 6

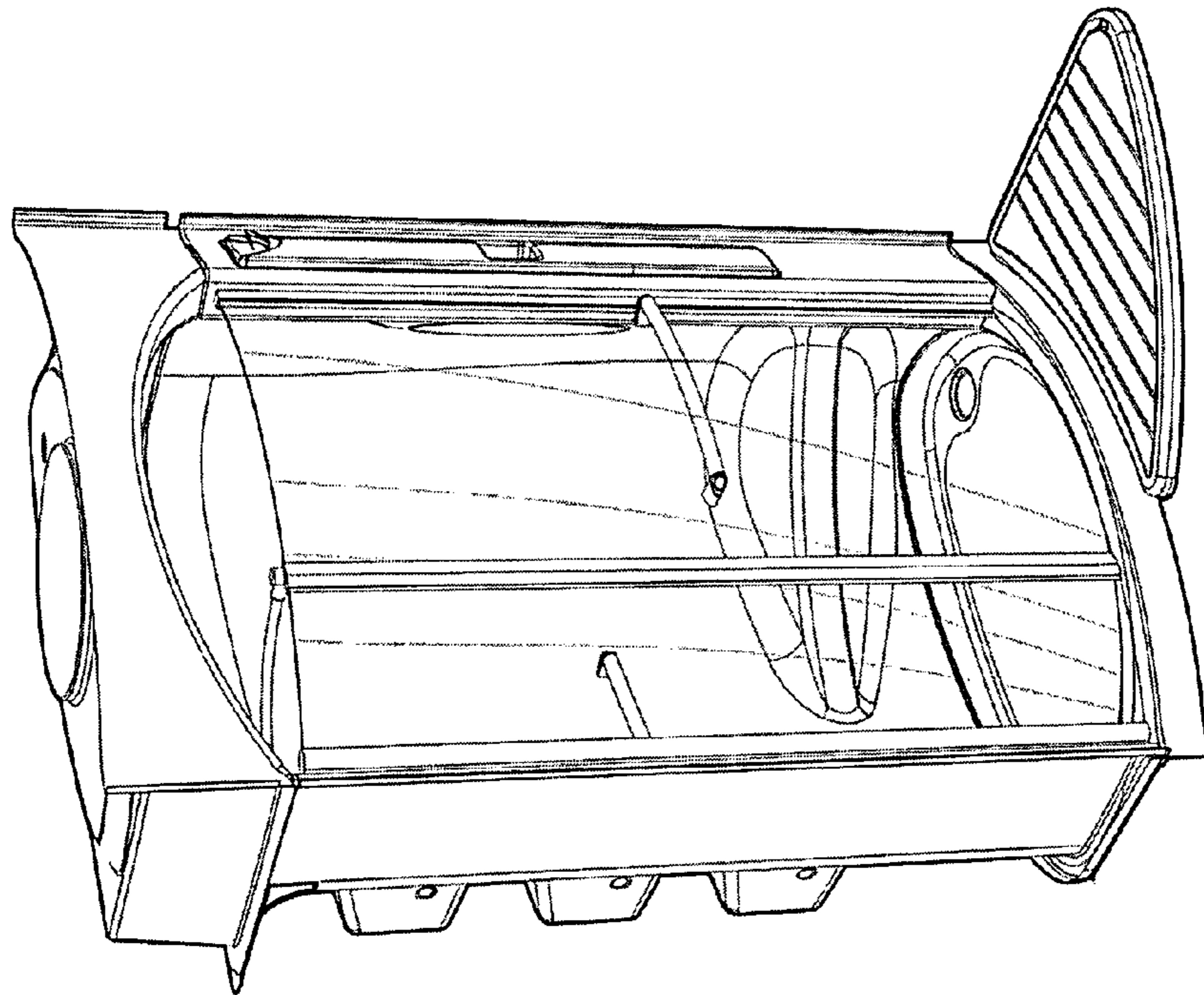


Fig 5

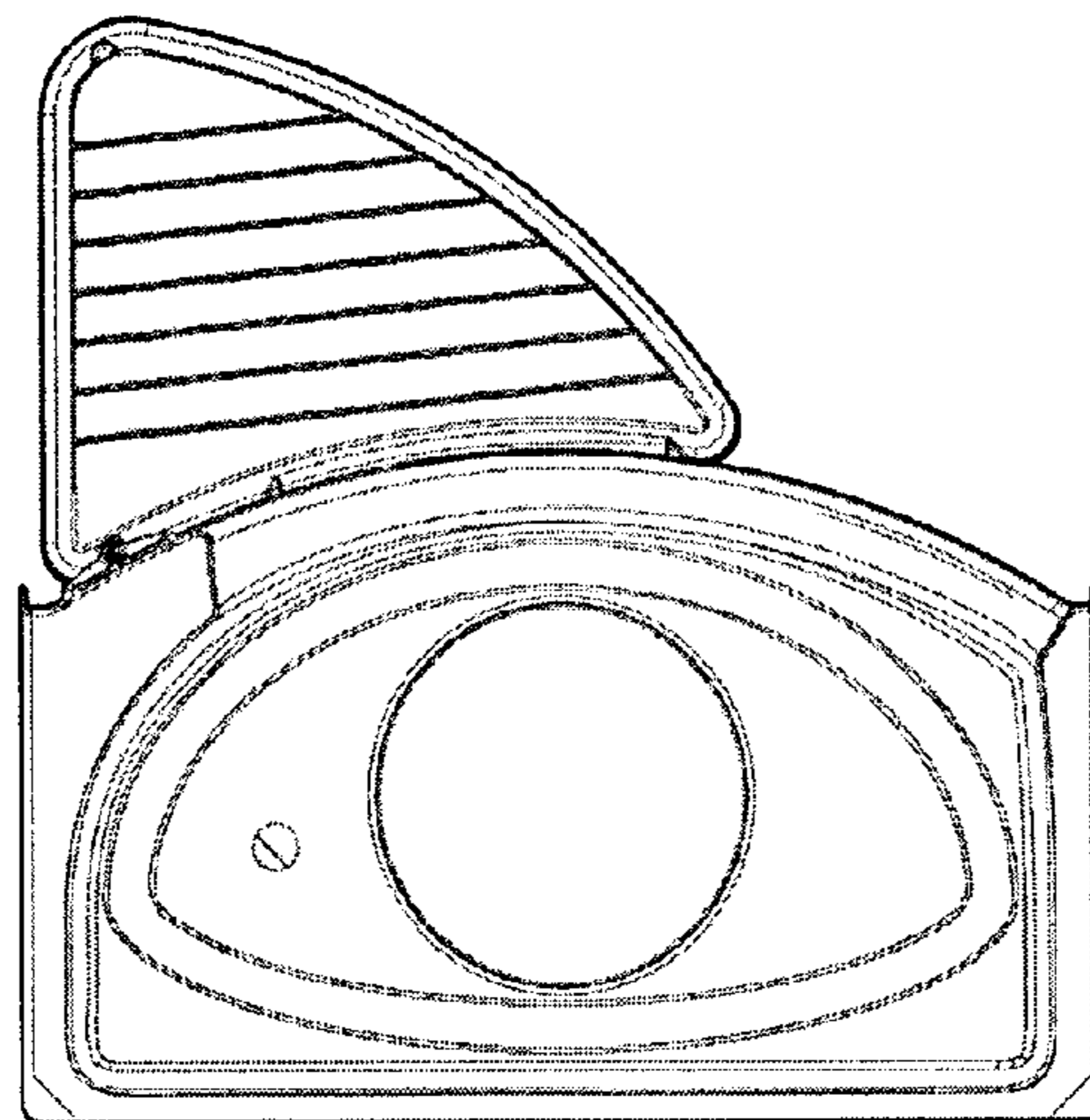


Fig 4