



US00D571439S

(12) **United States Design Patent**
Wellner et al.

(10) **Patent No.:** **US D571,439 S**
(45) **Date of Patent:** **** Jun. 17, 2008**

(54) **FIRE HYDRANT REFLECTIVE DISC**

D359,514 S * 6/1995 Cusano D20/42
6,260,507 B1 7/2001 Simpson et al.
D464,906 S * 10/2002 Dudenhoeffer D11/95

(76) Inventors: **Mark T. Wellner**, 3 Maplewood Ave.,
Rumson, NJ (US) 07760; **Jennifer Kane**, 38 Avenue of Two Rivers,
Rumson, NJ (US) 07760; **Joshua Guttman**, 2863 Edgemont Dr.,
Allentown, PA (US) 18103

OTHER PUBLICATIONS

Hy-Viz Maltese Flag Hydrant Marker, Hy Viz incorporated.
[Retrieved on Mar. 31, 2008] Retrieved from the
Internet: <URL:www.hyviz.com/hyvis/maltese.htm.*

(**) Term: **14 Years**

* cited by examiner

(21) Appl. No.: **29/290,333**

Primary Examiner—Ian Simmons
Assistant Examiner—Carissa C Fitts

(22) Filed: **Nov. 21, 2007**

(74) *Attorney, Agent, or Firm*—Richard C. Litman

(51) **LOC (8) Cl.** **23-01**

(57) **CLAIM**

(52) **U.S. Cl.** **D23/249**

The ornamental design for a fire hydrant reflective disc, as shown and described.

(58) **Field of Classification Search** D23/349,
D23/234, 345, 233, 241; D11/99, 196, 132,
D11/175, 183, 213, 236, 140, 73, 181, 210,
D11/14, 70, 78, 97, 102, 79, 133, 135, 138,
D11/168, 171, 95, 144, 172, 157, 81, 48,
D11/51, 96; D20/29, 23, 42; 40/1.5, 124.5,
40/606.3, 331; 116/200, 209; 137/307

DESCRIPTION

See application file for complete search history.

FIG. 1 is an environmental perspective view of a fire hydrant reflective disc showing our new design;

FIG. 2 is a front elevational, with the rear elevational view being unornamented, view thereof; and,

FIG. 3 is a top plan view, with the rear plan view and side elevational views being identical, thereof.

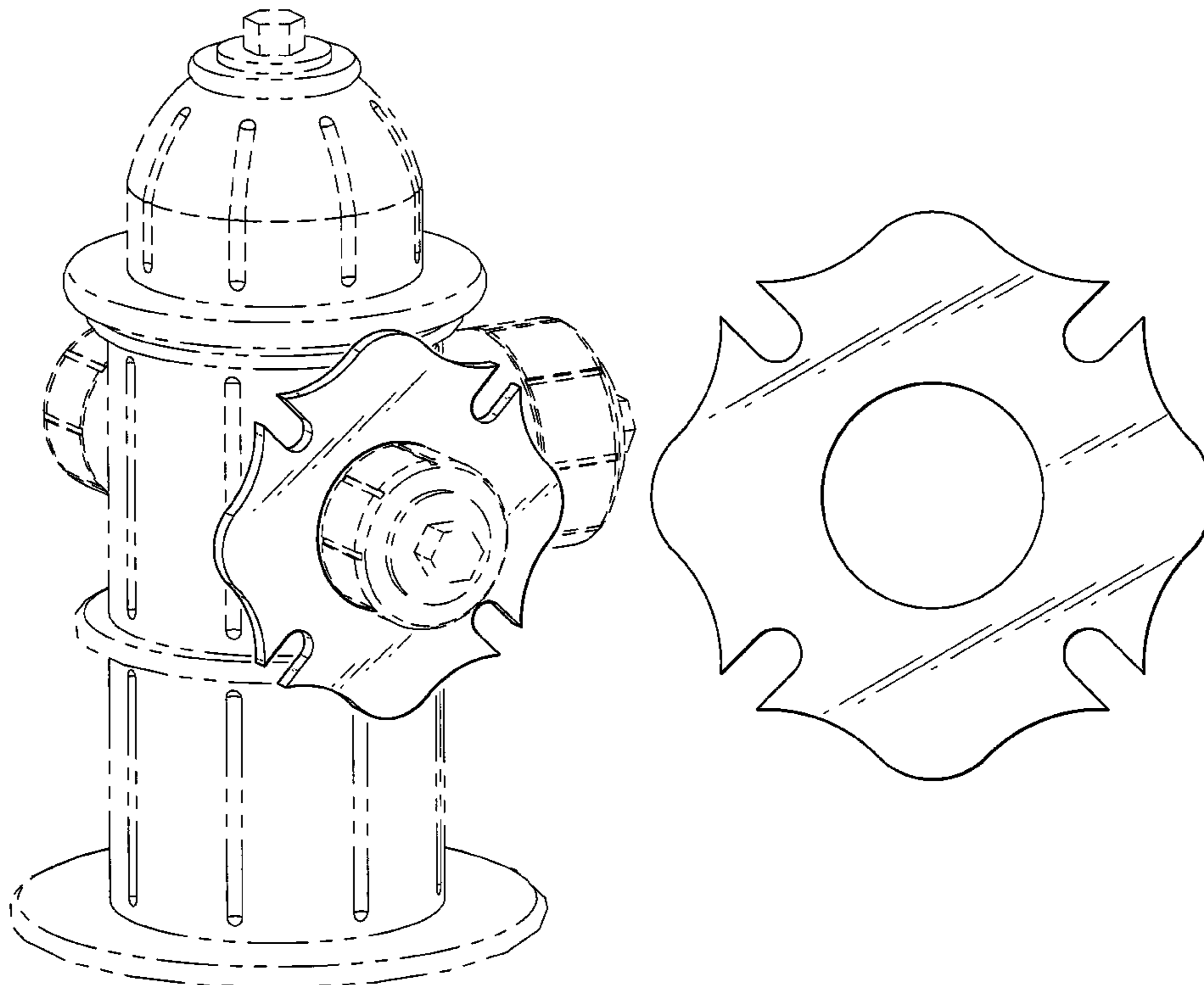
The broken line showing of the fire hydrant in FIG. 1 is for illustrative purposes only and forms no part of the claimed design.

(56) **References Cited**

U.S. PATENT DOCUMENTS

D34,964 S * 8/1901 Stauffer D24/200
D41,692 S * 8/1911 Martin et al. D11/96
2,059,009 A * 10/1936 McCarthy 116/200
4,478,169 A * 10/1984 Shrefler 116/209

1 Claim, 2 Drawing Sheets



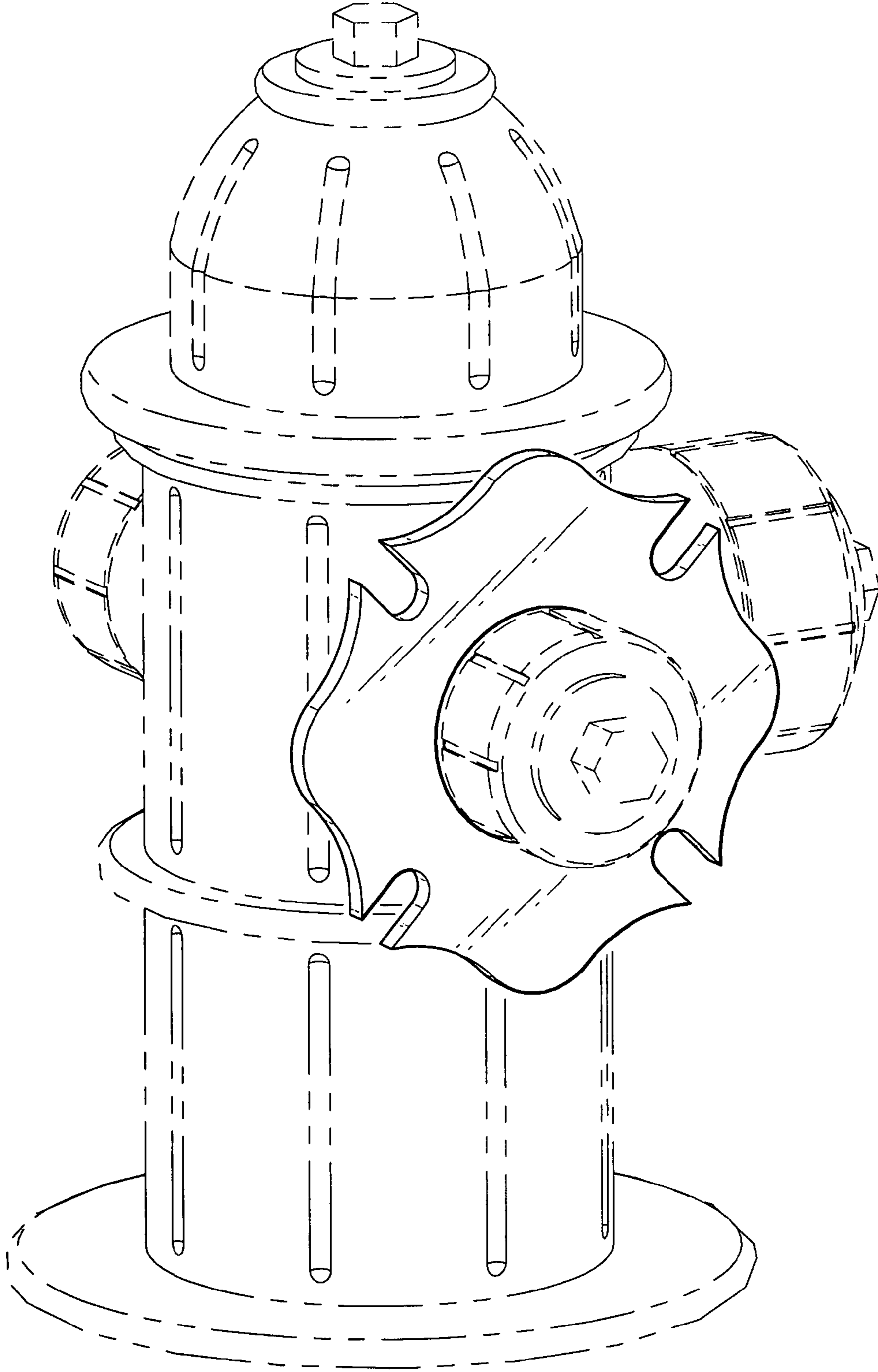


Fig. 1

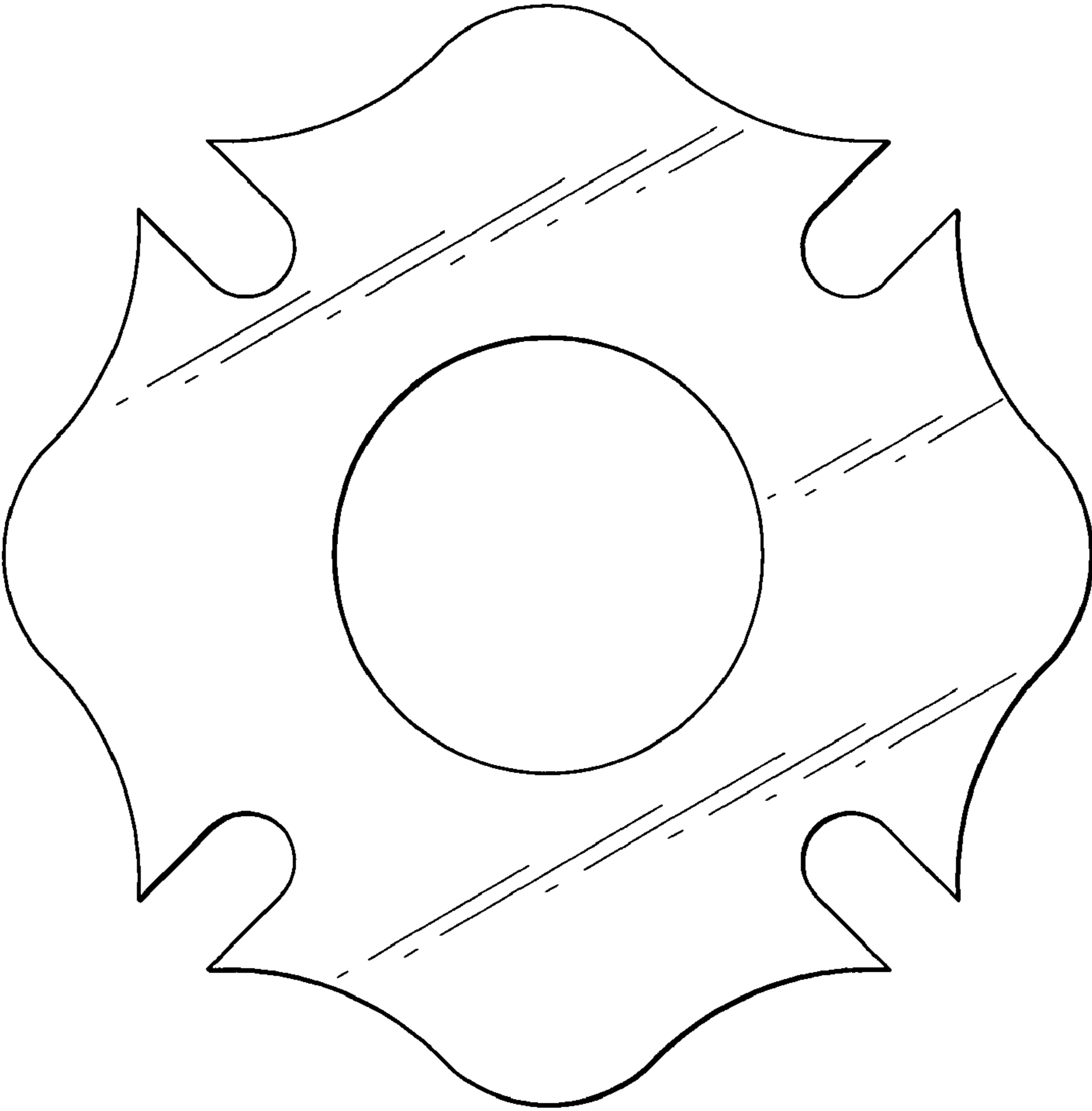


Fig. 2



Fig. 3