

US00D571438S

(12) **United States Design Patent**
Gilbert

(10) **Patent No.:** **US D571,438 S**

(45) **Date of Patent:** **** Jun. 17, 2008**

(54) **FAUCET HUB**

(75) Inventor: **Christopher Jon Gilbert**, Moreland Hills, OH (US)

(73) Assignee: **Moen Incorporated**, North Olmsted, OH (US)

(**) Term: **14 Years**

(21) Appl. No.: **29/286,794**

(22) Filed: **May 18, 2007**

(51) **LOC (8) Cl.** **23-01**

(52) **U.S. Cl.** **D23/249**

(58) **Field of Classification Search** D23/200,
D23/238-257; D6/512, 546, 550; D8/300,
D8/307-308, 310-312, 321; 4/675-678;
137/801; 16/110.1, 441

See application file for complete search history.

(56) **References Cited**

U.S. PATENT DOCUMENTS

D343,227 S	1/1994	Dannenberg et al.	
5,361,431 A	11/1994	Freier et al.	
D364,213 S	11/1995	Dannenberg et al.	
D420,726 S	2/2000	Slothower et al.	
D426,622 S	6/2000	Mark et al.	
D432,215 S *	10/2000	Spangler	D23/249
D438,285 S	2/2001	Baghera et al.	
D438,286 S	2/2001	Mark et al.	
D438,935 S	3/2001	Mark et al.	
D441,836 S	5/2001	Mark et al.	
D443,337 S	6/2001	Mark et al.	
D463,530 S	9/2002	Dretzka	
D466,591 S *	12/2002	Lord	D23/249
D468,398 S	1/2003	Ziemann	
D478,157 S	8/2003	Yegyayan	
D487,798 S	3/2004	Bayer	
D487,922 S	3/2004	Lord	

D488,210 S	4/2004	Lord	
D511,200 S	11/2005	Kulig et al.	
D511,560 S	11/2005	Kulig et al.	
D511,812 S	11/2005	Ouyoung	
D513,788 S	1/2006	Lindholm	
D514,665 S	2/2006	Lindholm	
D515,672 S *	2/2006	Chu	D23/249
D516,180 S *	2/2006	Ouyoung	D23/249
D526,049 S *	8/2006	Lord	D23/249
D541,384 S *	4/2007	Citterio	D23/249
2004/0182459 A1	9/2004	Klein	

* cited by examiner

Primary Examiner—Robert A. Delehanty

Assistant Examiner—Mark Cavanna

(74) *Attorney, Agent, or Firm*—Calfee, Halter & Griswold LLP

(57) **CLAIM**

The ornamental design for a faucet hub, as shown and described.

DESCRIPTION

FIG. 1 is a perspective view of a faucet hub of the new design;

FIG. 2 is a front elevational view of the faucet hub of FIG. 1;

FIG. 3 is a rear elevational view of the faucet hub of FIG. 1;

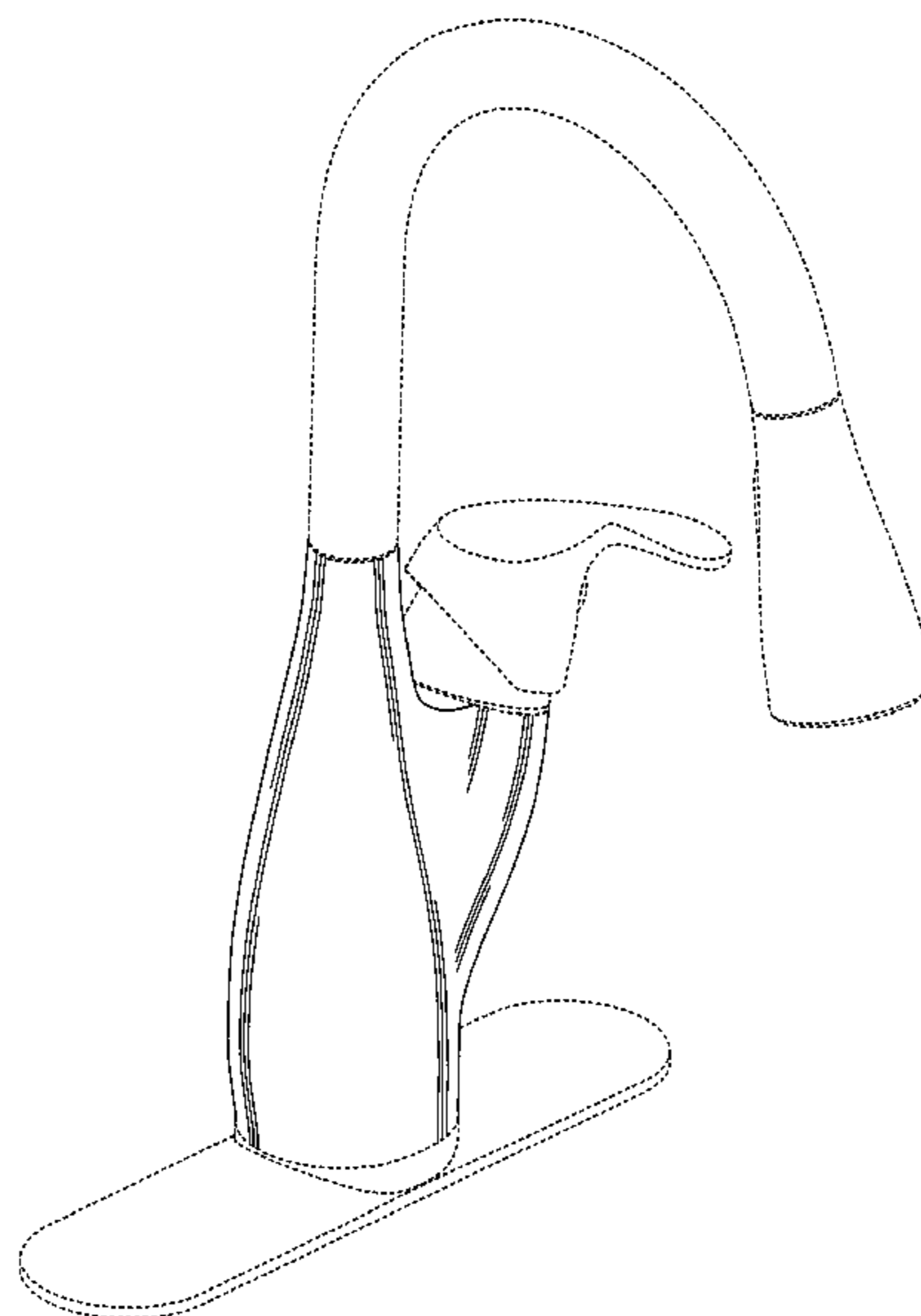
FIG. 4 is a left side elevational view of the faucet hub of FIG. 1;

FIG. 5 is a right side elevational view of the faucet hub of FIG. 1; and,

FIG. 6 is a top plan view of the faucet hub of FIG. 1.

The portions of the Figures shown in broken lines are not part of the claimed design and are for illustration only.

1 Claim, 6 Drawing Sheets



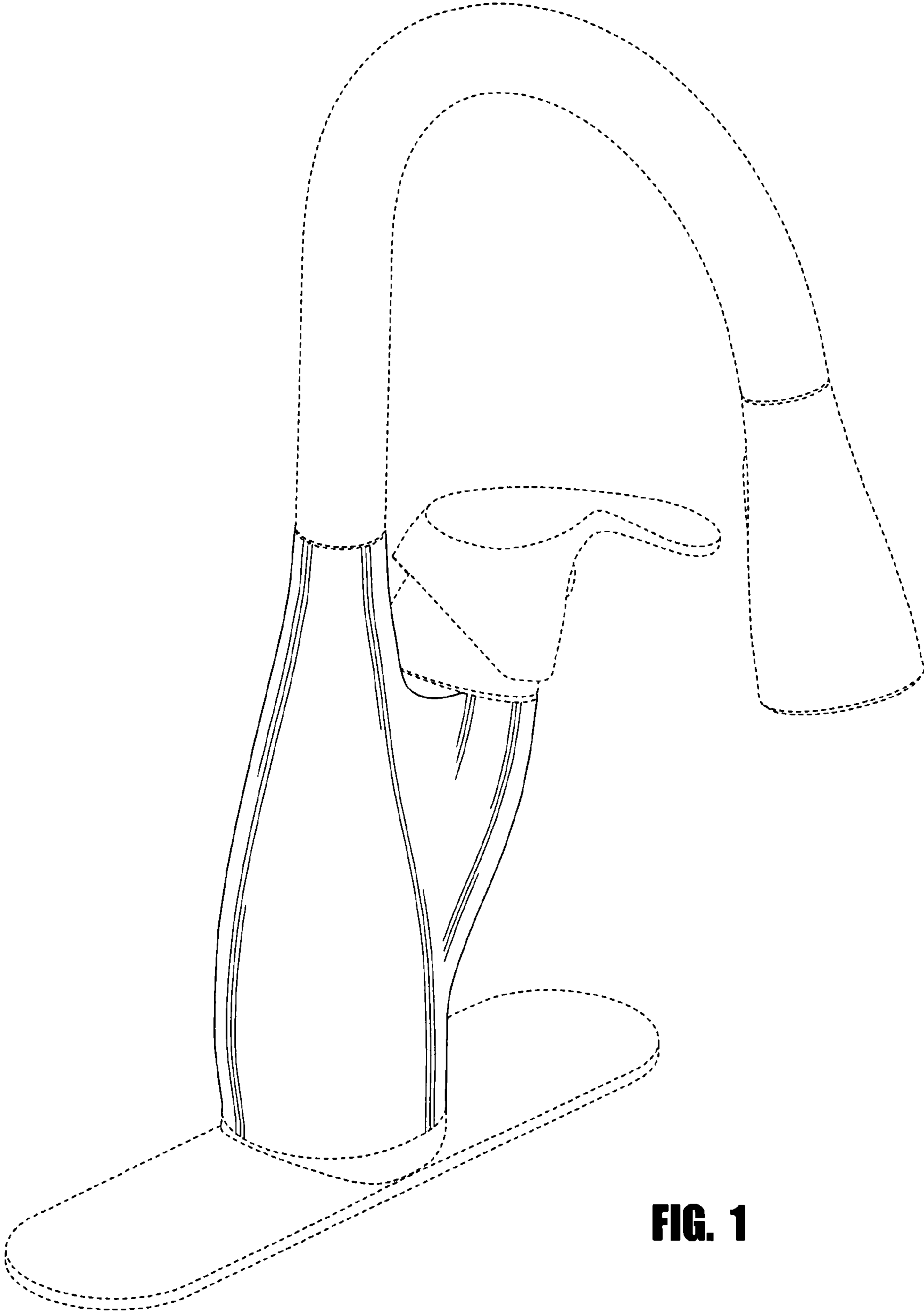


FIG. 1

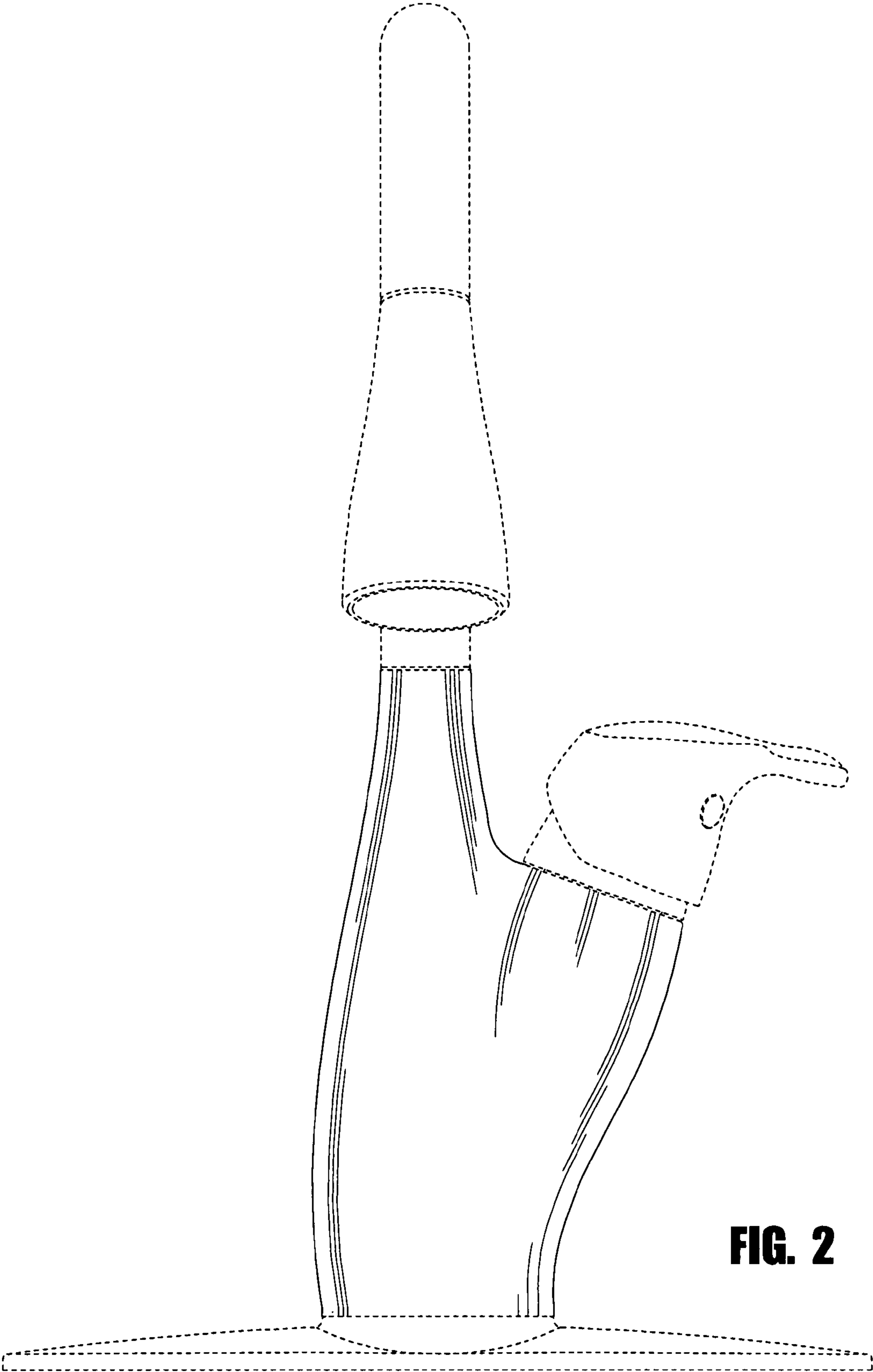


FIG. 2

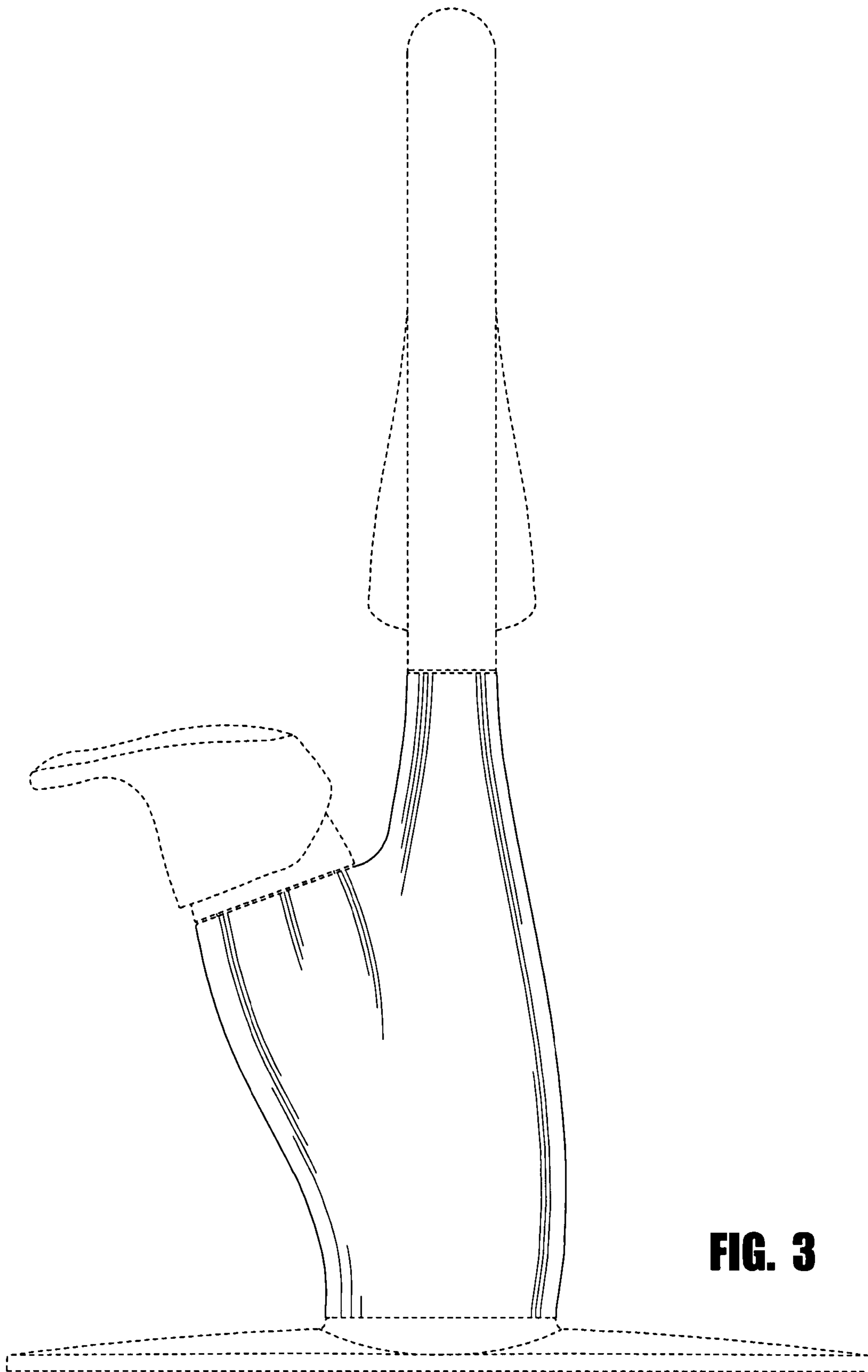


FIG. 3

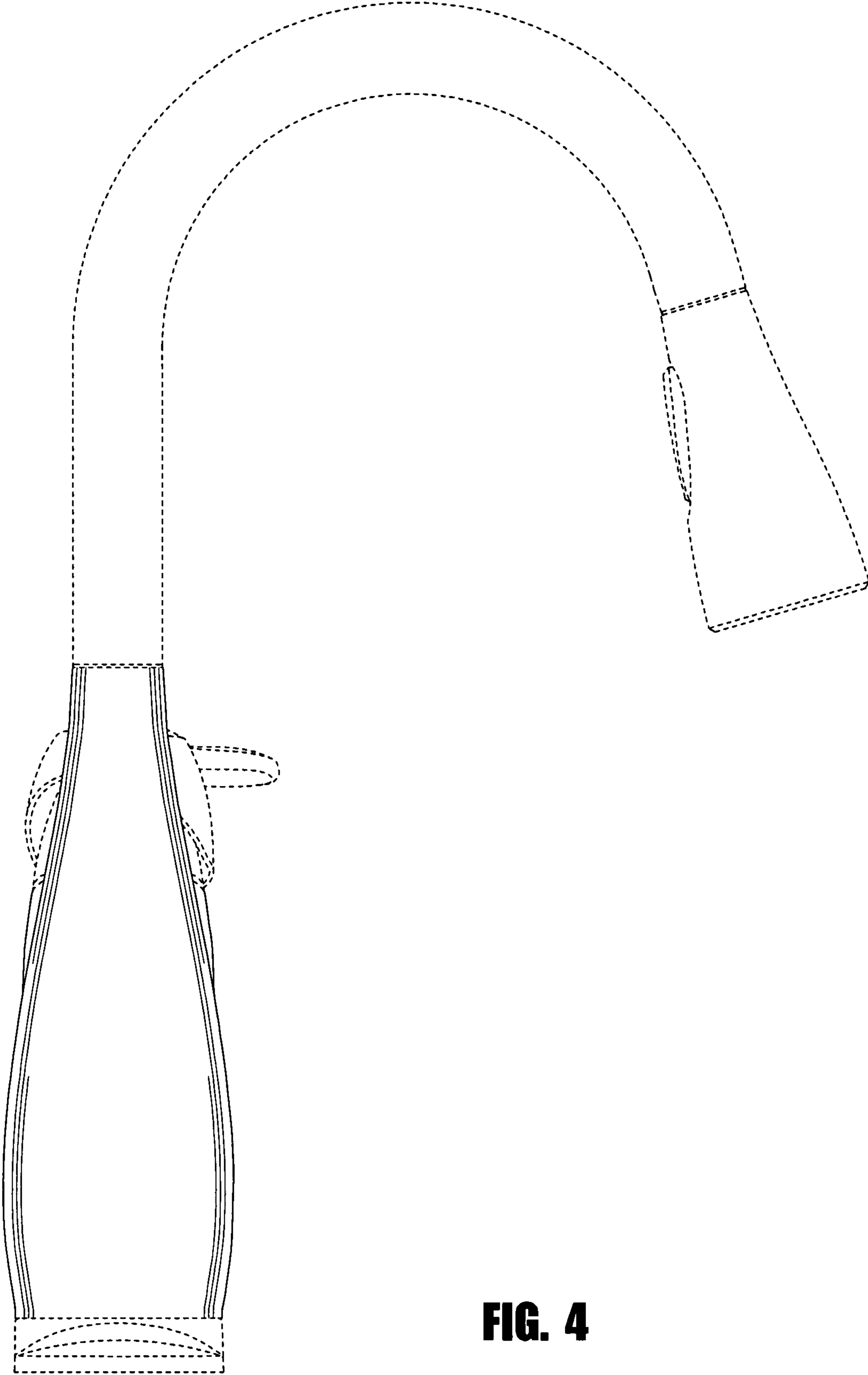


FIG. 4

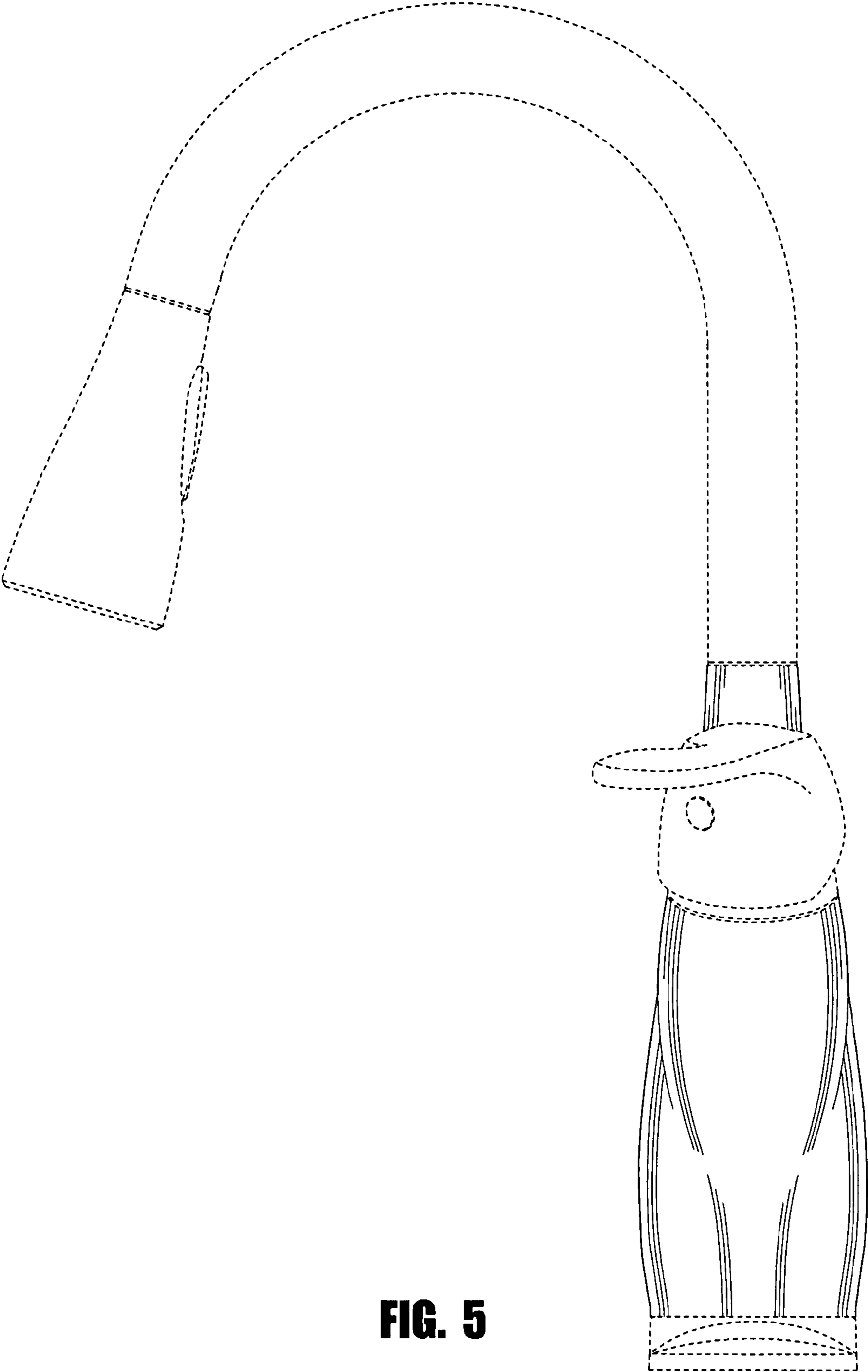


FIG. 5

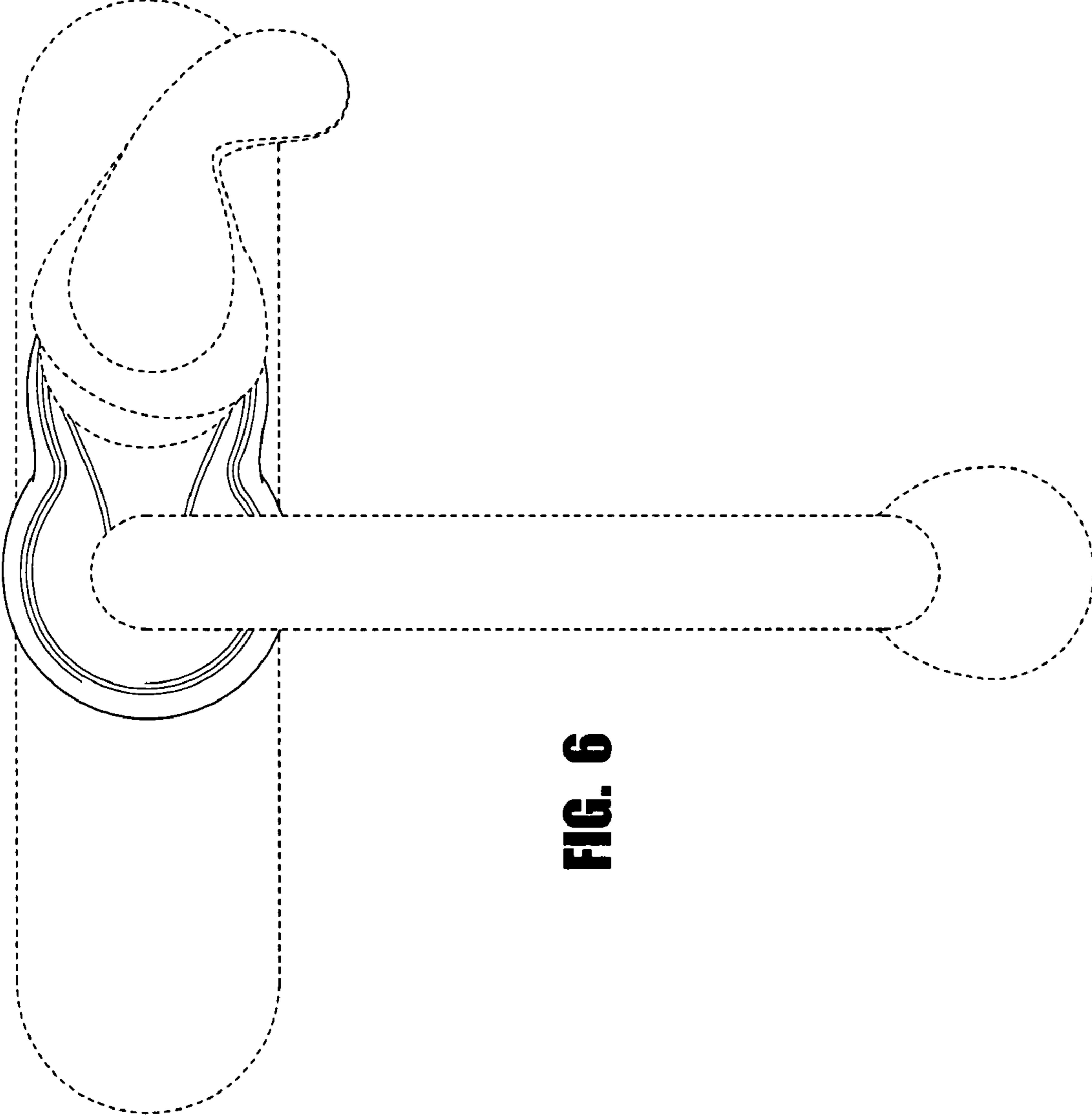


FIG. 6