



US00D571436S

(12) **United States Design Patent**
Genord et al.

(10) **Patent No.:** **US D571,436 S**
(45) **Date of Patent:** **** Jun. 17, 2008**

(54) **SHOWERHEAD**

D559,950 S * 1/2008 Tse D23/229

(75) Inventors: **Daniel S. Genord**, South Lyon, MI (US); **Dominic J. Daunter**, Howell, MI (US); **Julian Giggs**, Hillsdale, MI (US); **Michael Miller**, Portage, MI (US)

* cited by examiner

Primary Examiner—Robin V Webster
(74) *Attorney, Agent, or Firm*—Edgar A. Zarins; Lloyd D. Doigan

(73) Assignee: **Alsons Corporation**, Hillsdale, MI (US)

(57) **CLAIM**

(**) Term: **14 Years**

The ornamental design for a showerhead, as shown and described.

(21) Appl. No.: **29/288,539**

DESCRIPTION

(22) Filed: **Jun. 14, 2007**

FIG. 1 is a perspective view of a showerhead showing our new design;

(51) **LOC (8) Cl.** **23-01**

FIG. 2 is a front elevational view thereof;

(52) **U.S. Cl.** **D23/229**

FIG. 3 is a rear view thereof;

(58) **Field of Classification Search** D23/213, D23/229–230, 223; 239/282–283; 4/615

FIG. 4 is a first side view thereof;

See application file for complete search history.

FIG. 5 is a second side view thereof; and,

FIG. 6 is a third side view thereof.

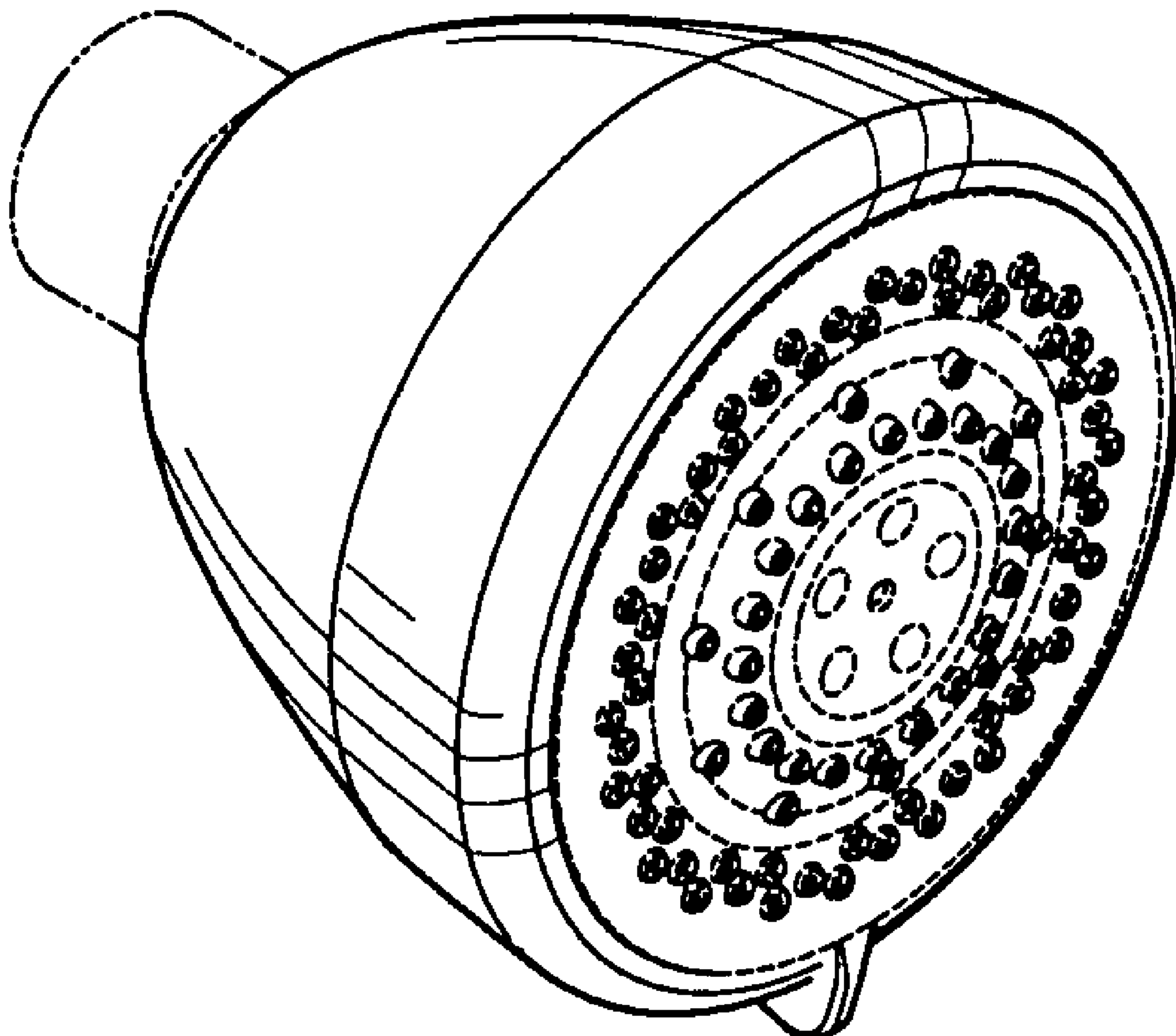
(56) **References Cited**

The broken line showing is included for the purpose of illustrating and forms no part of the claimed design.

U.S. PATENT DOCUMENTS

D408,892 S * 4/1999 Marshall D23/229
D533,920 S * 12/2006 Dingler et al. D23/229

1 Claim, 2 Drawing Sheets



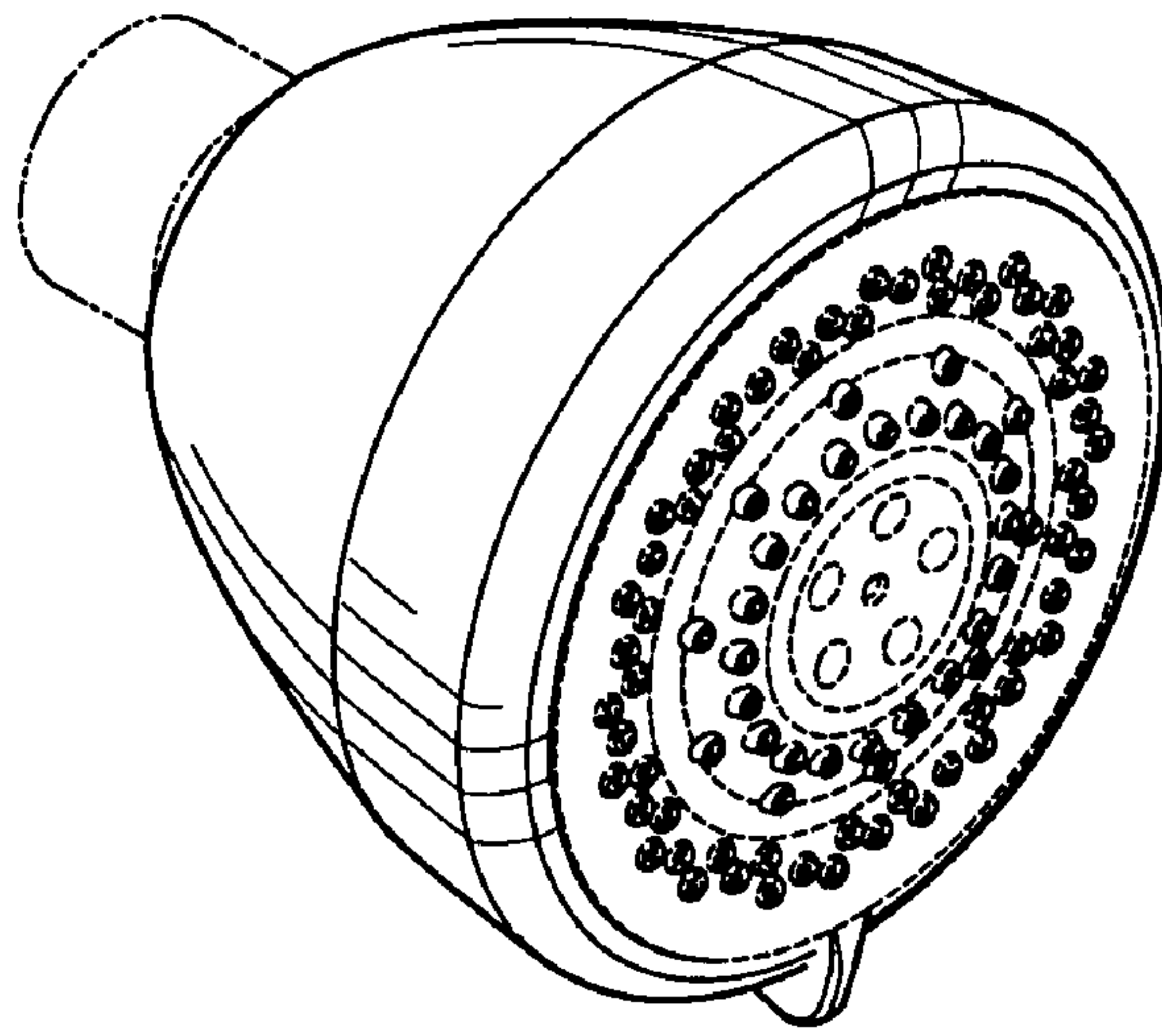


Fig-1

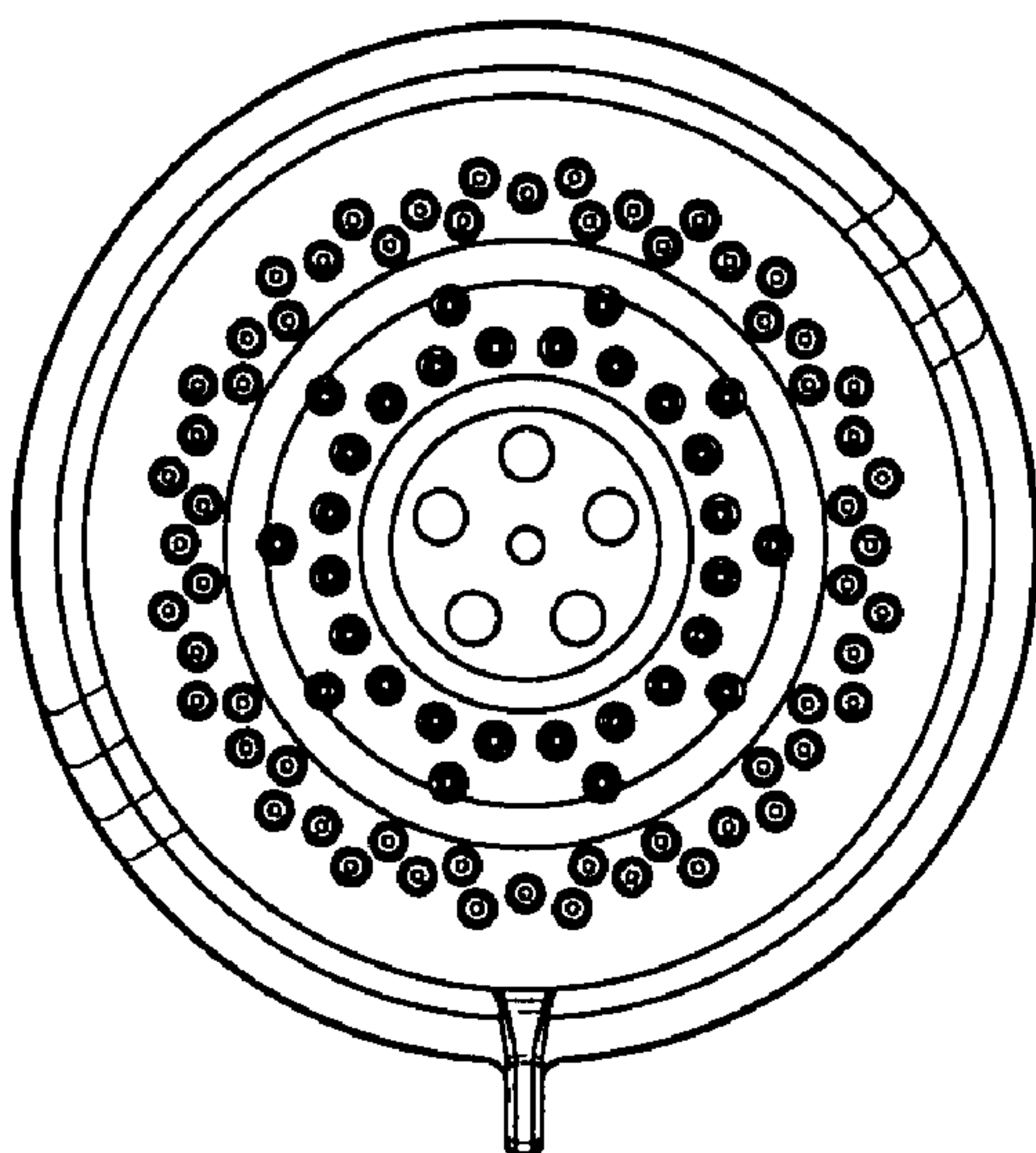


Fig-2

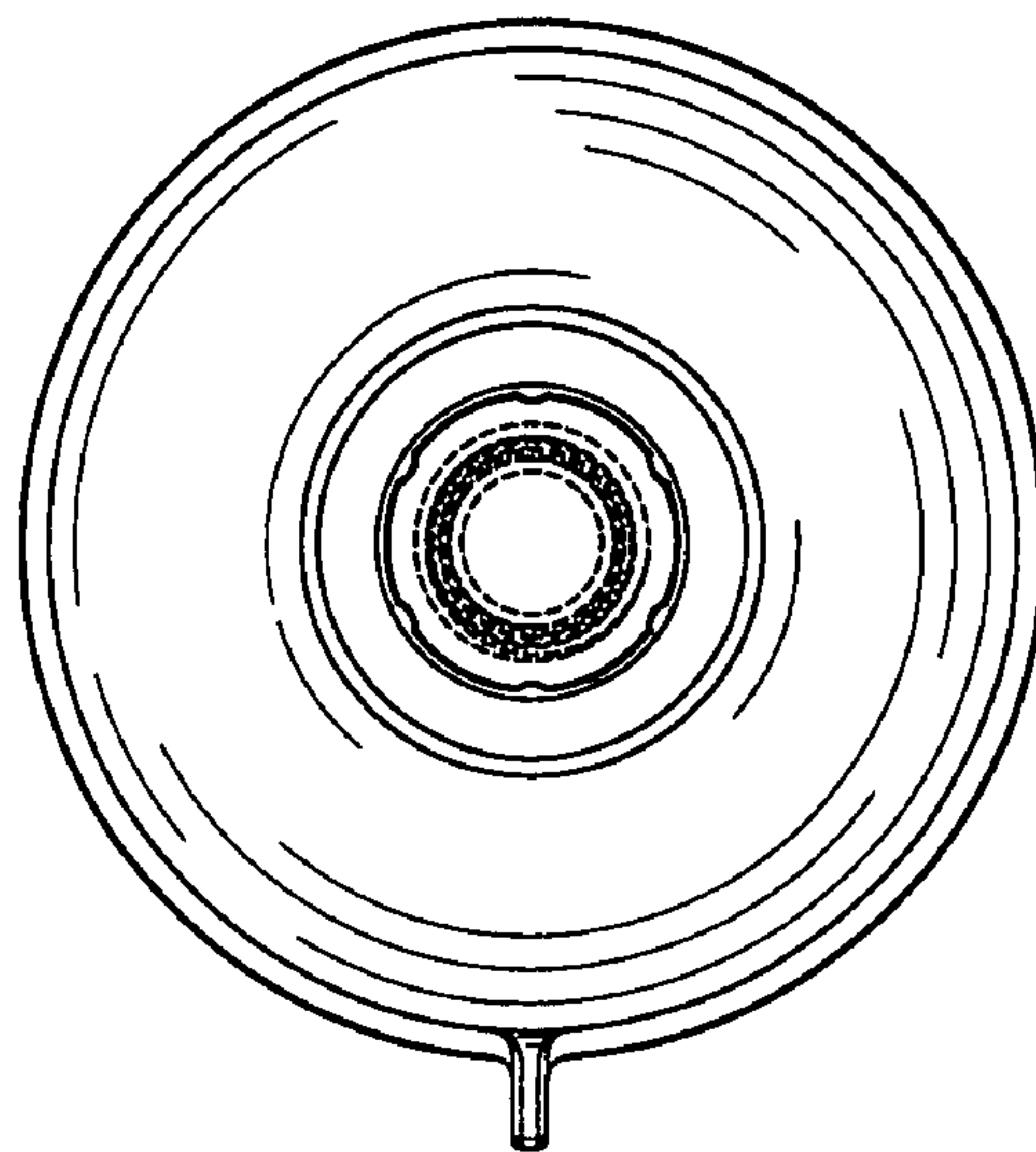


Fig-3

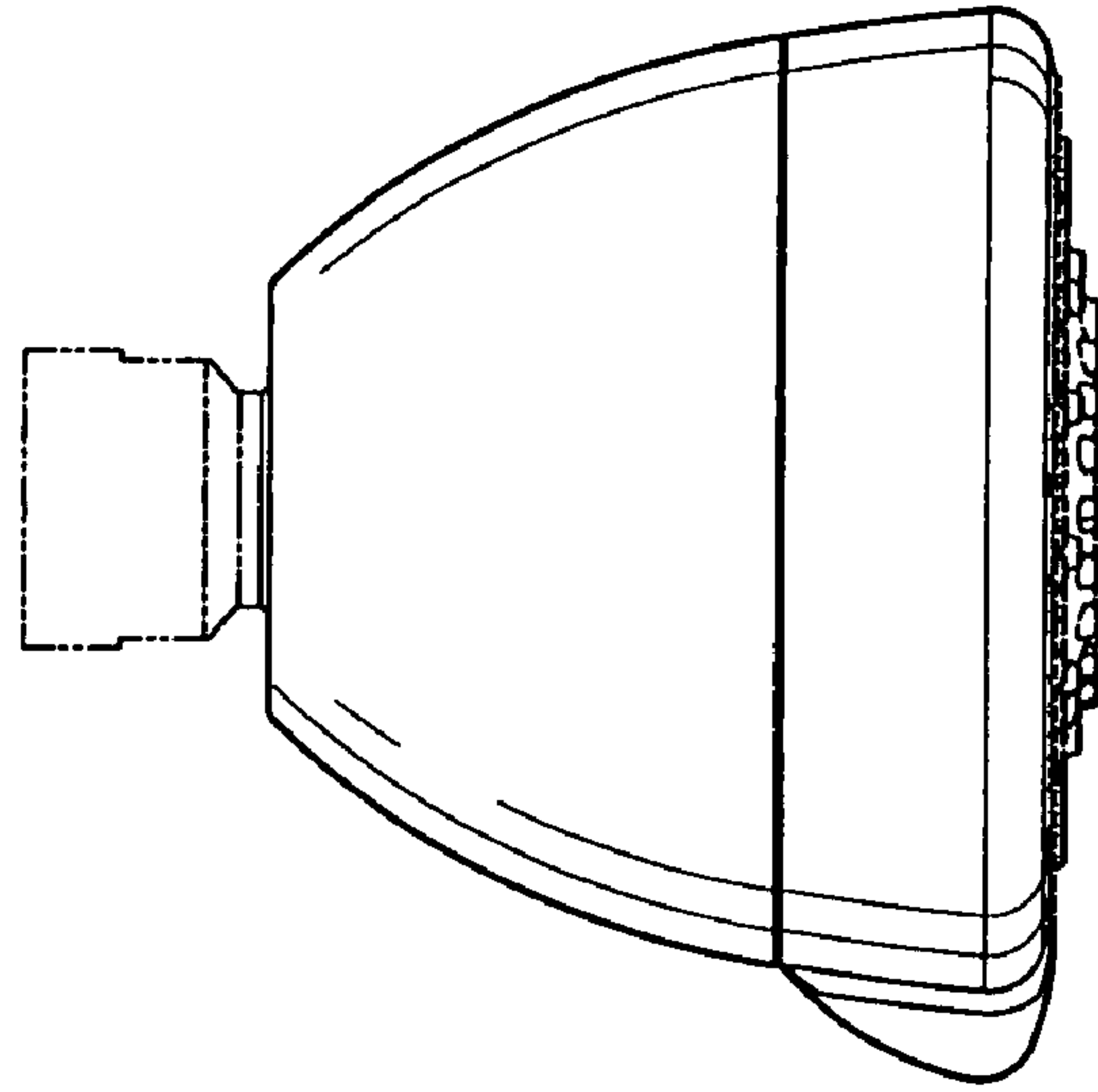


Fig-4

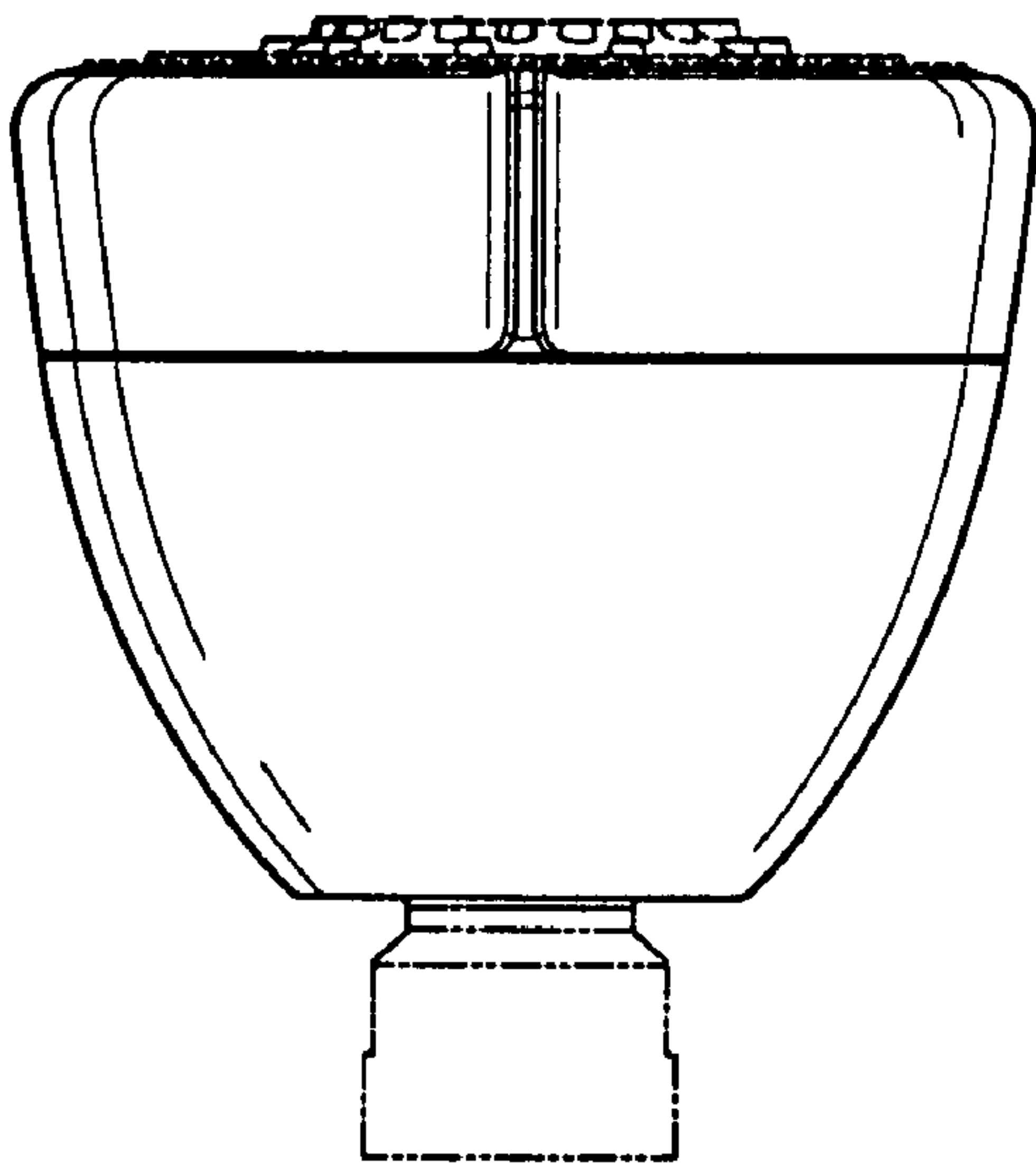


Fig-5

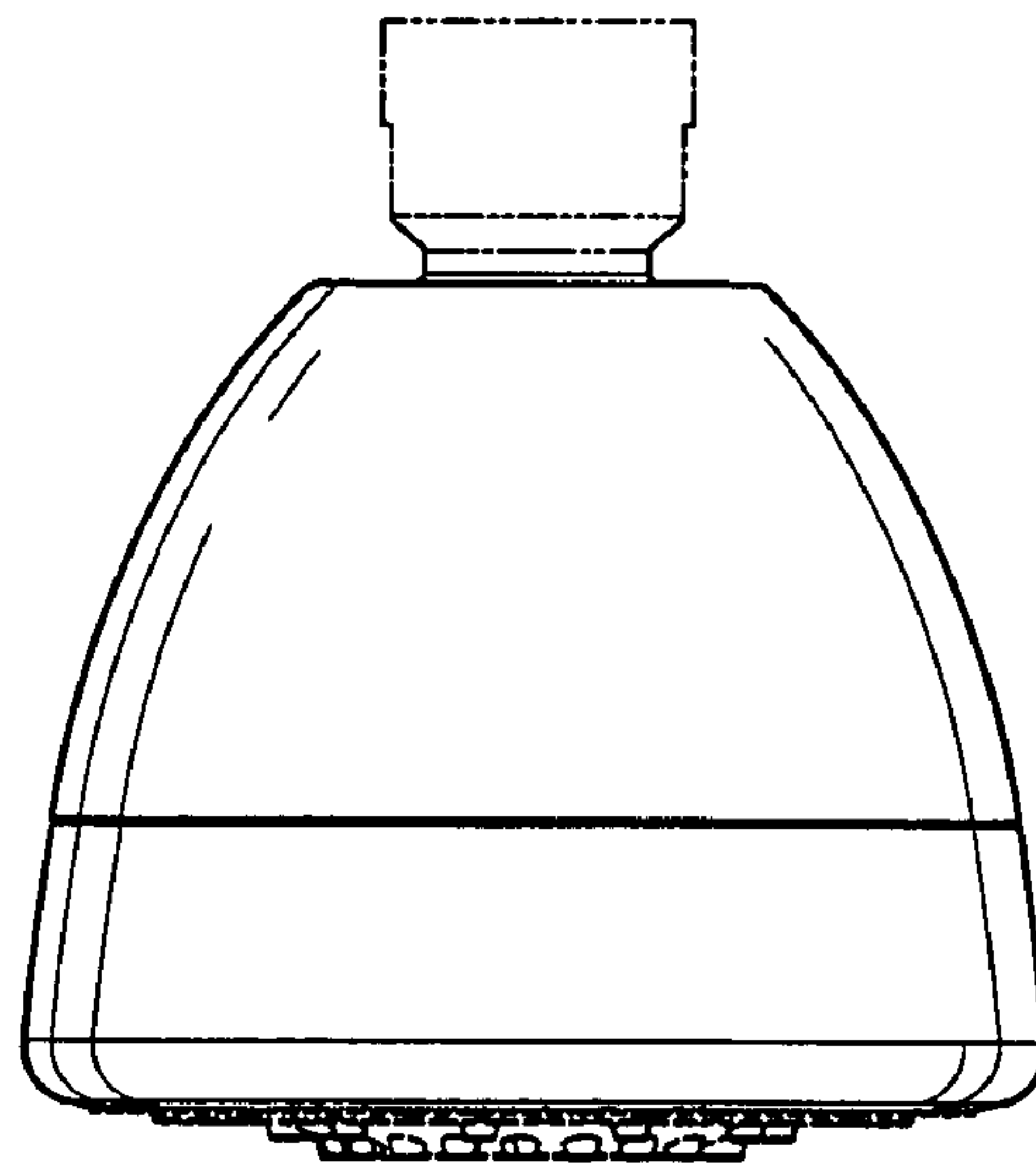


Fig-6