

US00D571435S

(12) **United States Design Patent**
Nathan et al.

(10) **Patent No.:** **US D571,435 S**
(45) **Date of Patent:** **** Jun. 17, 2008**

(54) **CUP PAINT GUN**

(75) Inventors: **Philip Nathan**, West Hartford, CT
(US); **Robert H. Bruno**, Avon, CT
(US)

(73) Assignee: **Wagner Spray Tech Corporation**,
Plymouth, MN (US)

(**) Term: **14 Years**

(21) Appl. No.: **29/295,827**

(22) Filed: **Oct. 8, 2007**

Related U.S. Application Data

(62) Division of application No. 29/247,116, filed on May
31, 2006.

(51) **LOC (8) Cl.** **23-01**

(52) **U.S. Cl.** **D23/225**

(58) **Field of Classification Search** D23/213,
D23/225; 222/333; 417/411; 239/337,
239/DIG. 14

See application file for complete search history.

(56) **References Cited**

U.S. PATENT DOCUMENTS

D286,426 S * 10/1986 Lin D23/225

D307,463 S * 4/1990 Fushiya et al. D23/225
D490,500 S * 5/2004 Ye et al. D23/225
D503,213 S * 3/2005 Stevens et al. D23/225
D503,215 S * 3/2005 Stevens et al. D23/225

* cited by examiner

Primary Examiner—Robin V Webster

(74) *Attorney, Agent, or Firm*—Faegre & Benson LLP

(57) **CLAIM**

The ornamental design for a cup paint gun, as shown and
described.

DESCRIPTION

FIG. 1 is a perspective view of a cup paint gun of the present
invention;

FIG. 2 is a left side view of the cup paint gun.

FIG. 3 is a right side view of the cup paint gun.

FIG. 4 is a front view of the cup paint gun.

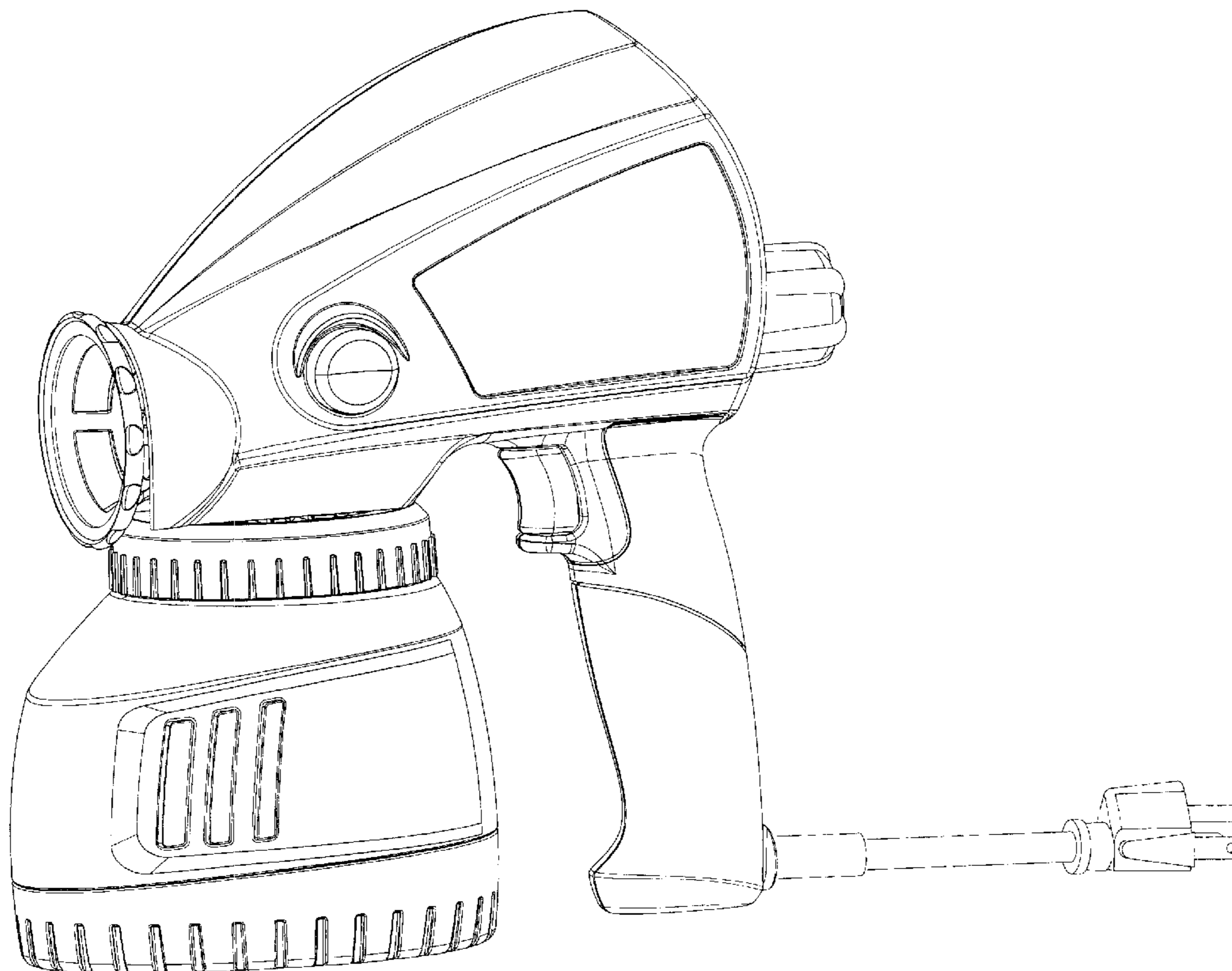
FIG. 5 is a rear view of the cup paint gun.

FIG. 6 is a top view of the cup paint gun; and,

FIG. 7 is a bottom view of the cup paint gun.

The broken line showing of the power cord is included for
the purpose of illustrating portions of the paint gun and
forms no part of the claimed design.

1 Claim, 7 Drawing Sheets



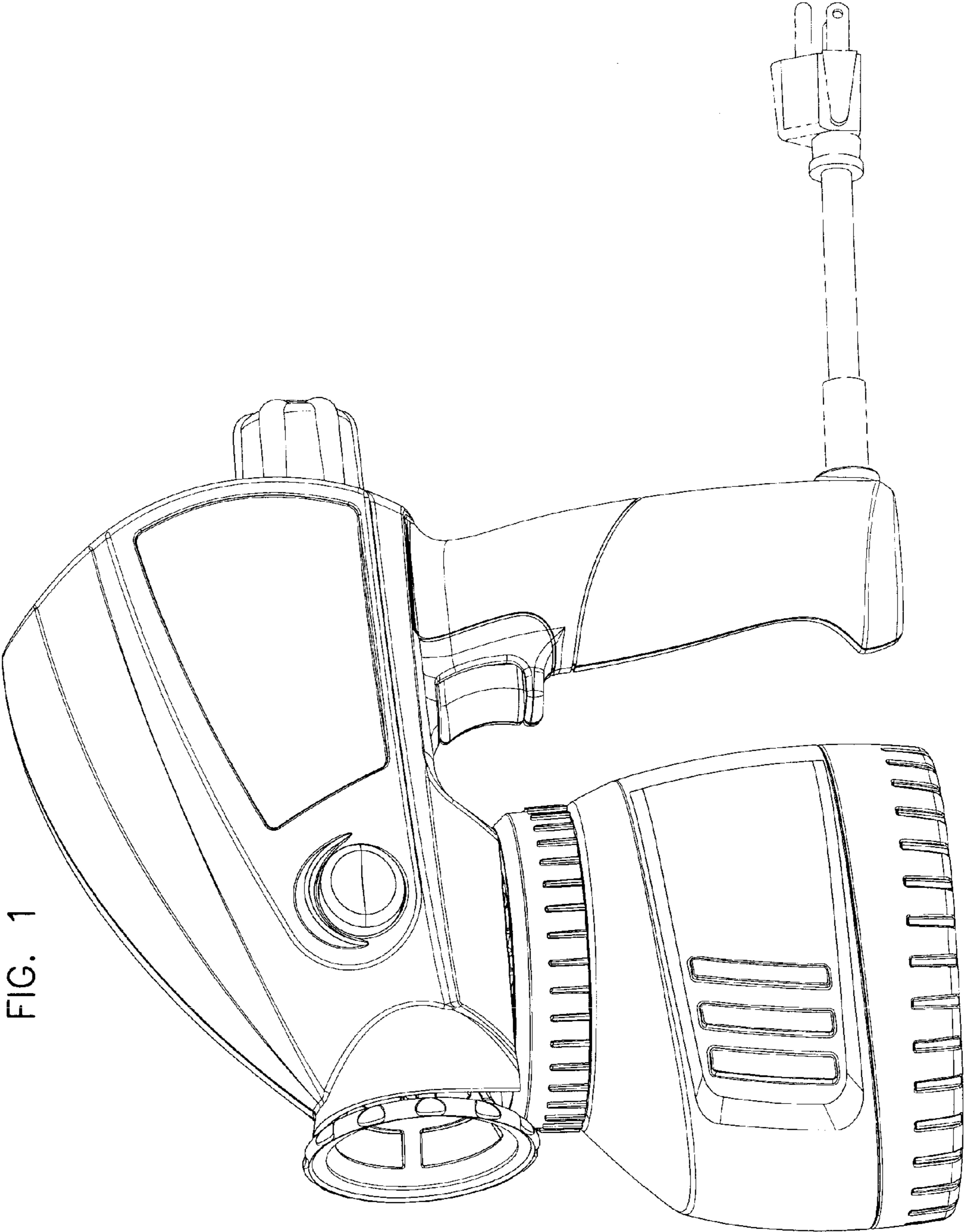


FIG. 1

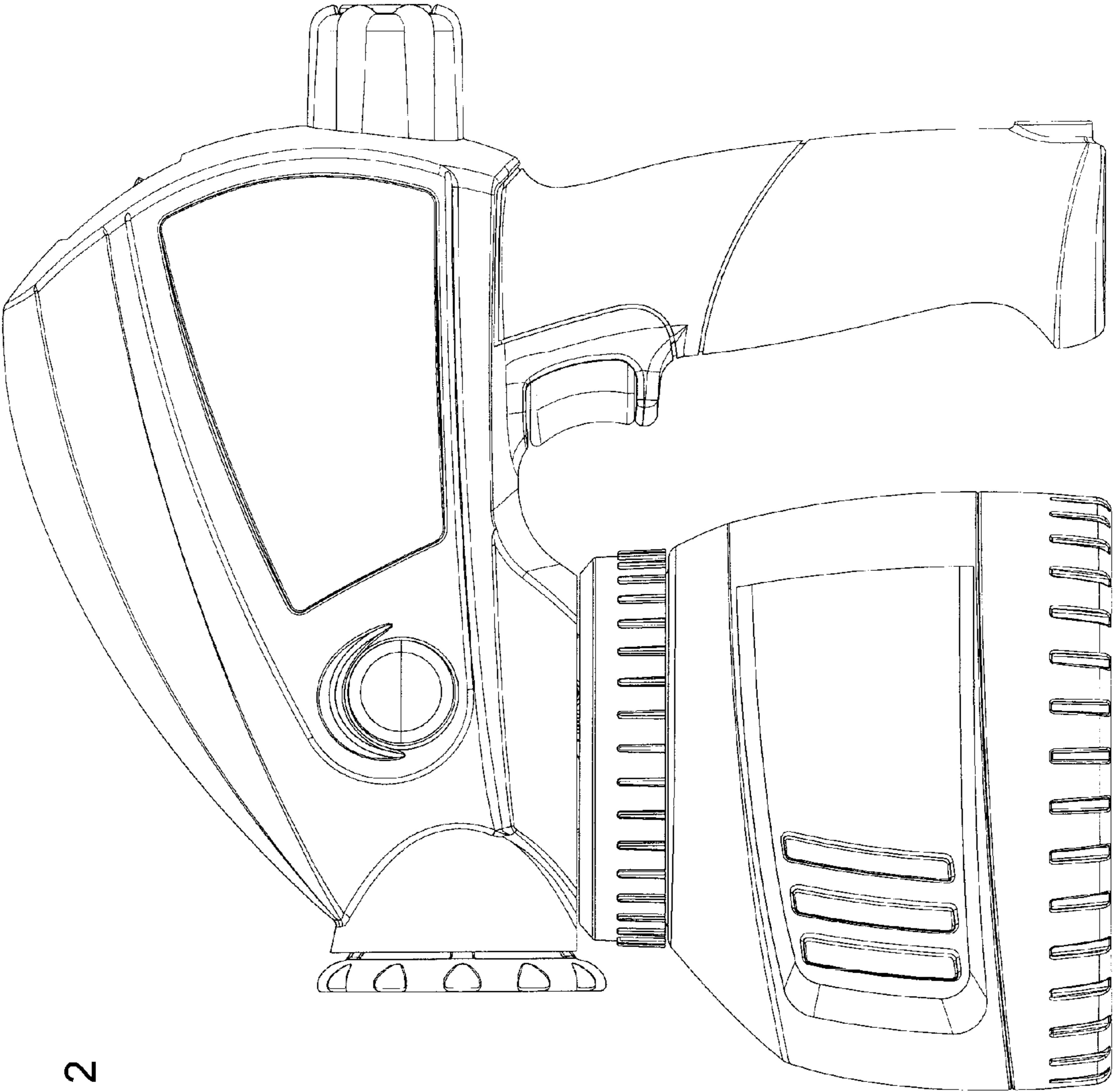


FIG. 2

FIG. 3

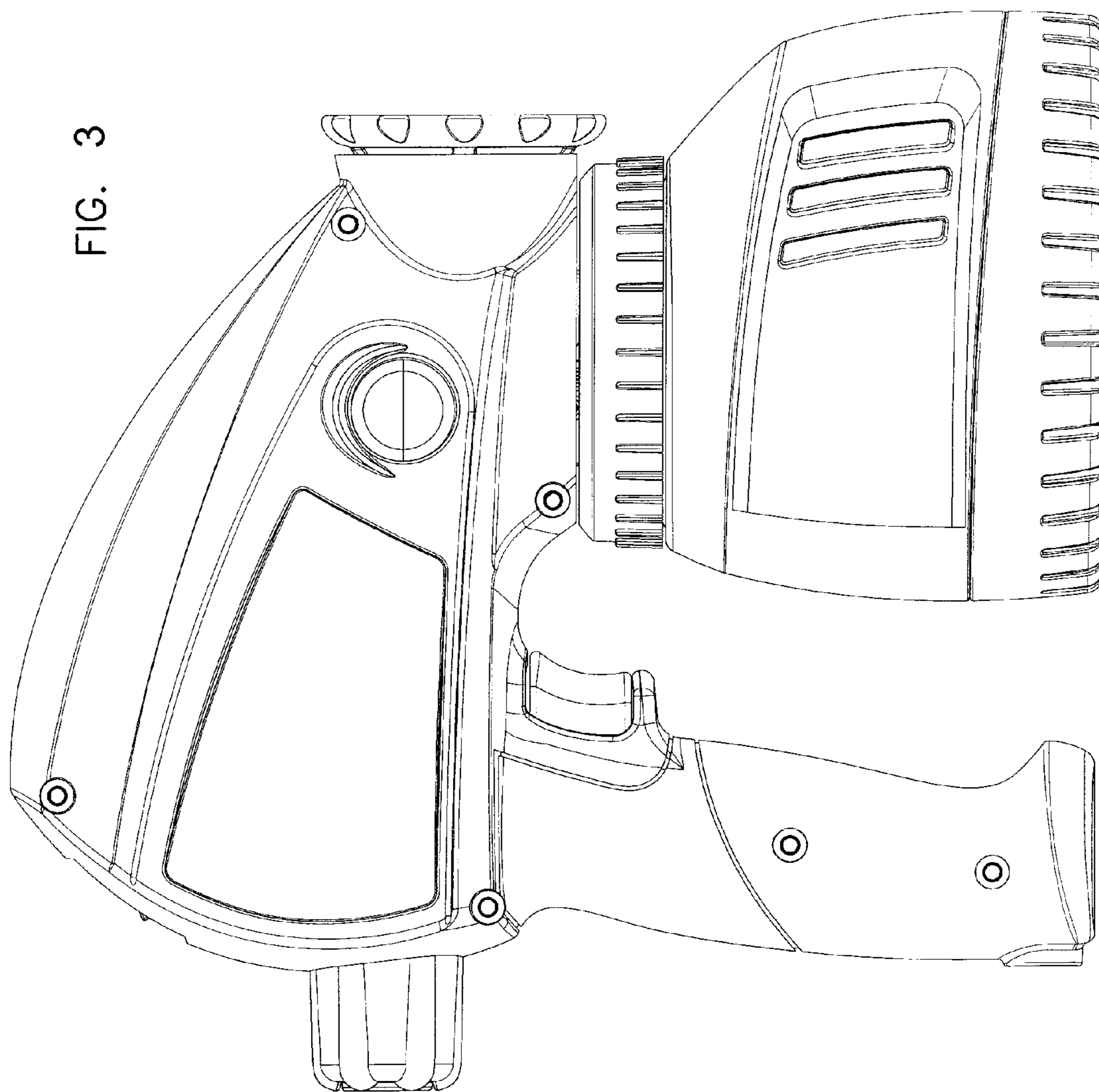


FIG. 4

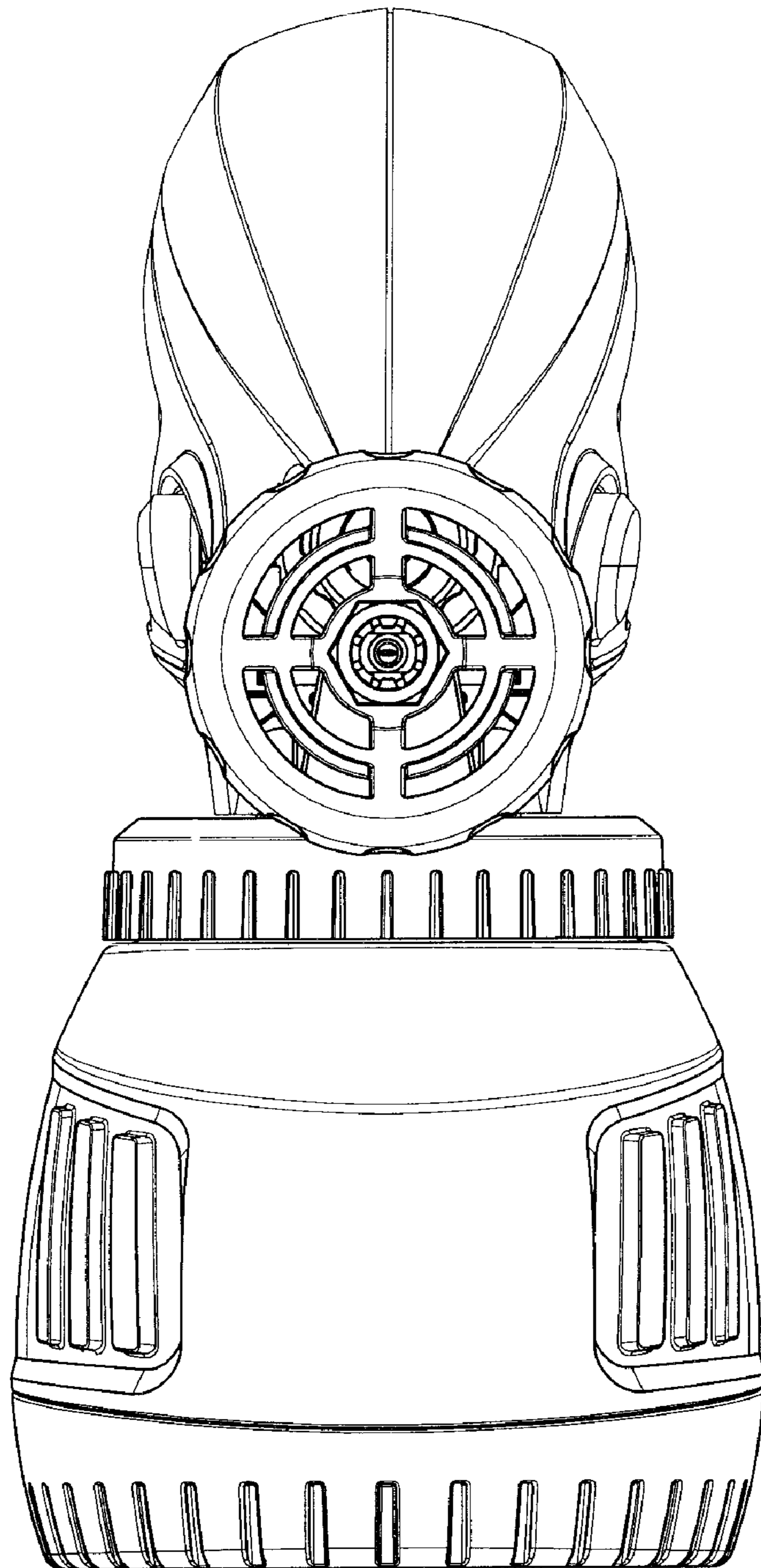


FIG. 5

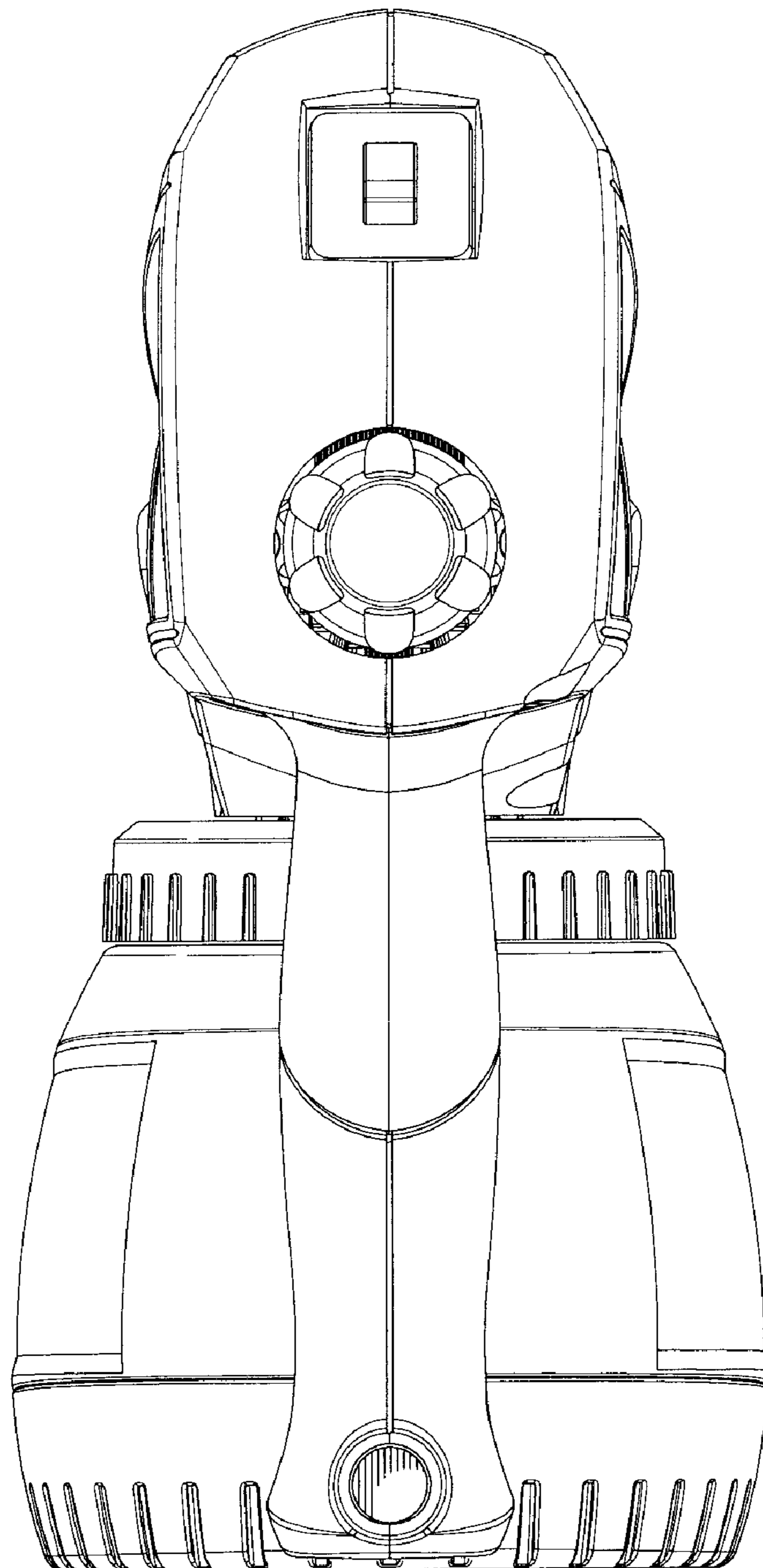


FIG. 6

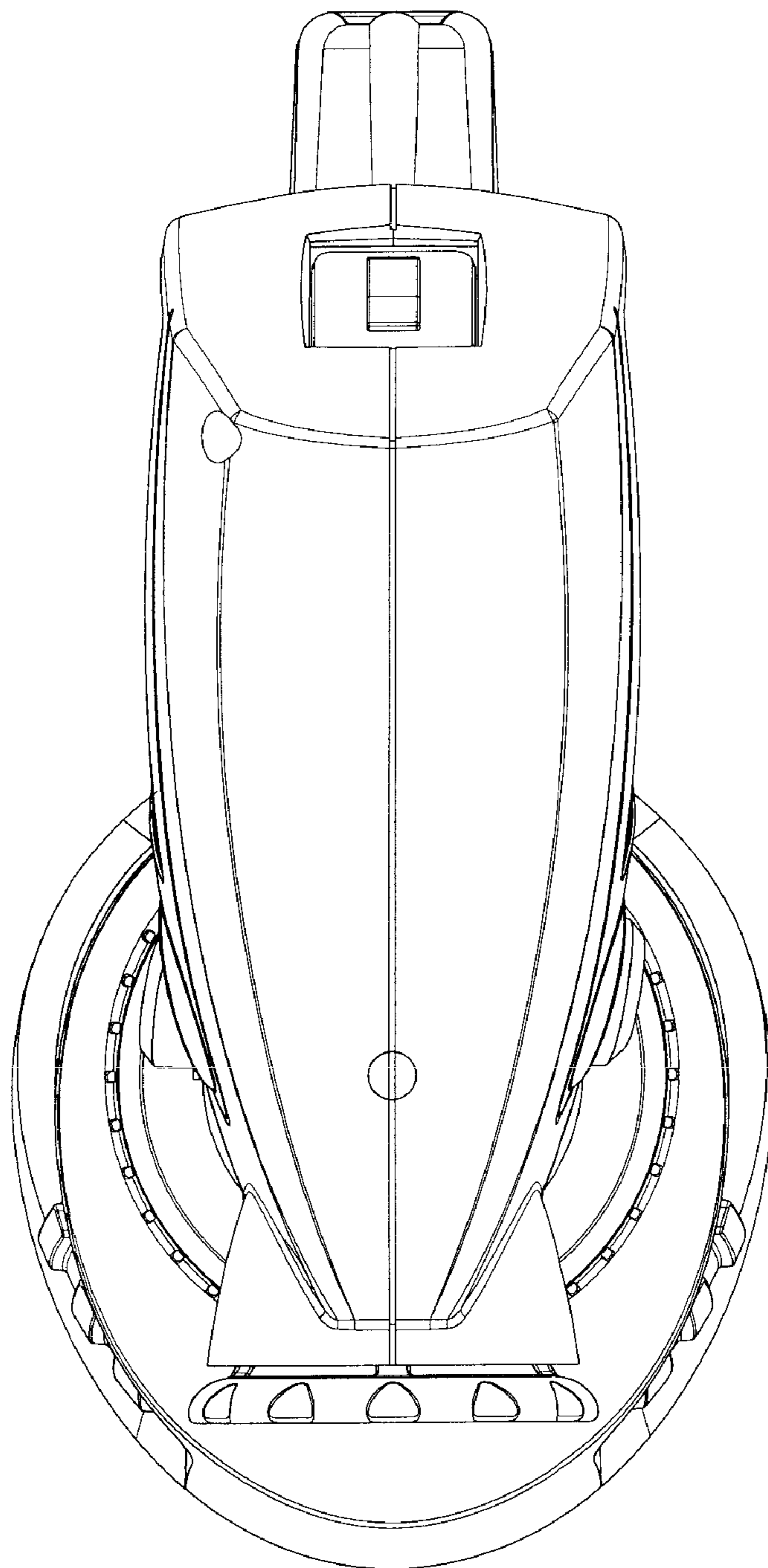


FIG. 7

