



US00D571434S

(12) **United States Design Patent**  
**Renner**

(10) **Patent No.:** **US D571,434 S**  
(45) **Date of Patent:** **\*\* Jun. 17, 2008**

(54) **HAND-OPERATED SPRAY GUN FOR A HIGH PRESSURE WASHER**

D501,536 S \* 2/2005 Amaduzzi ..... D23/226  
D518,556 S \* 4/2006 Amaduzzi ..... D23/226  
D555,767 S \* 11/2007 Carpanese ..... D23/226

(75) Inventor: **Reinhard Renner**, Esslingen (DE)

\* cited by examiner

(73) Assignee: **Alfred Kaercher GmbH & Co. KG**, Winnenden (DE)

*Primary Examiner*—Robin V Webster  
(74) *Attorney, Agent, or Firm*—Lipsitz & McAllister, LLC

(\*\*) Term: **14 Years**

(57) **CLAIM**

(21) Appl. No.: **29/288,111**

The ornamental design for a hand-operated spray gun for a high pressure washer, as shown and described.

(22) Filed: **May 29, 2007**

(30) **Foreign Application Priority Data**

Dec. 14, 2006 (EM) ..... 000637889

(51) **LOC (8) Cl.** ..... **23-01**

(52) **U.S. Cl.** ..... **D23/223; D23/226**

(58) **Field of Classification Search** ..... D23/213,  
D23/223, 226; 239/525–526, 532  
See application file for complete search history.

**DESCRIPTION**

FIG. 1 is front, top and side perspective view of the hand-operated spray gun for a high pressure washer showing my new design;

FIG. 2 is a front, top and left side perspective view of the design;

FIG. 3 is a front elevational view of the design;

FIG. 4 is a left side elevational view of the design;

FIG. 5 is a rear elevational view of the design;

FIG. 6 is right side elevational view of the design;

FIG. 7 is a top plan view of the design; and,

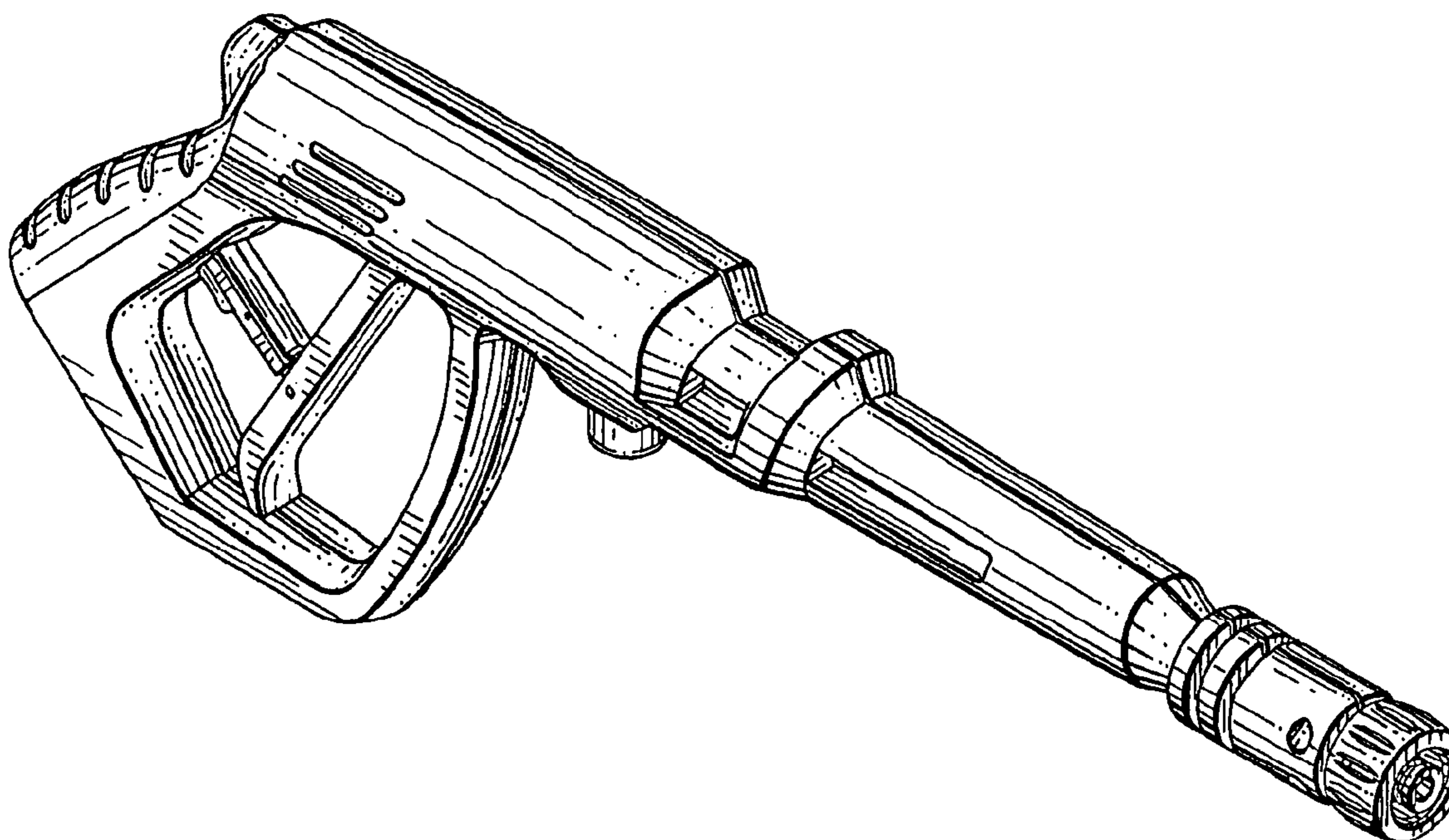
FIG. 8 is a bottom plan view of the design.

(56) **References Cited**

**U.S. PATENT DOCUMENTS**

D291,113 S \* 7/1987 Bauer ..... D23/226  
5,525,046 A \* 6/1996 Hartmann ..... 417/300  
D499,791 S \* 12/2004 Etter ..... D23/226

**1 Claim, 5 Drawing Sheets**



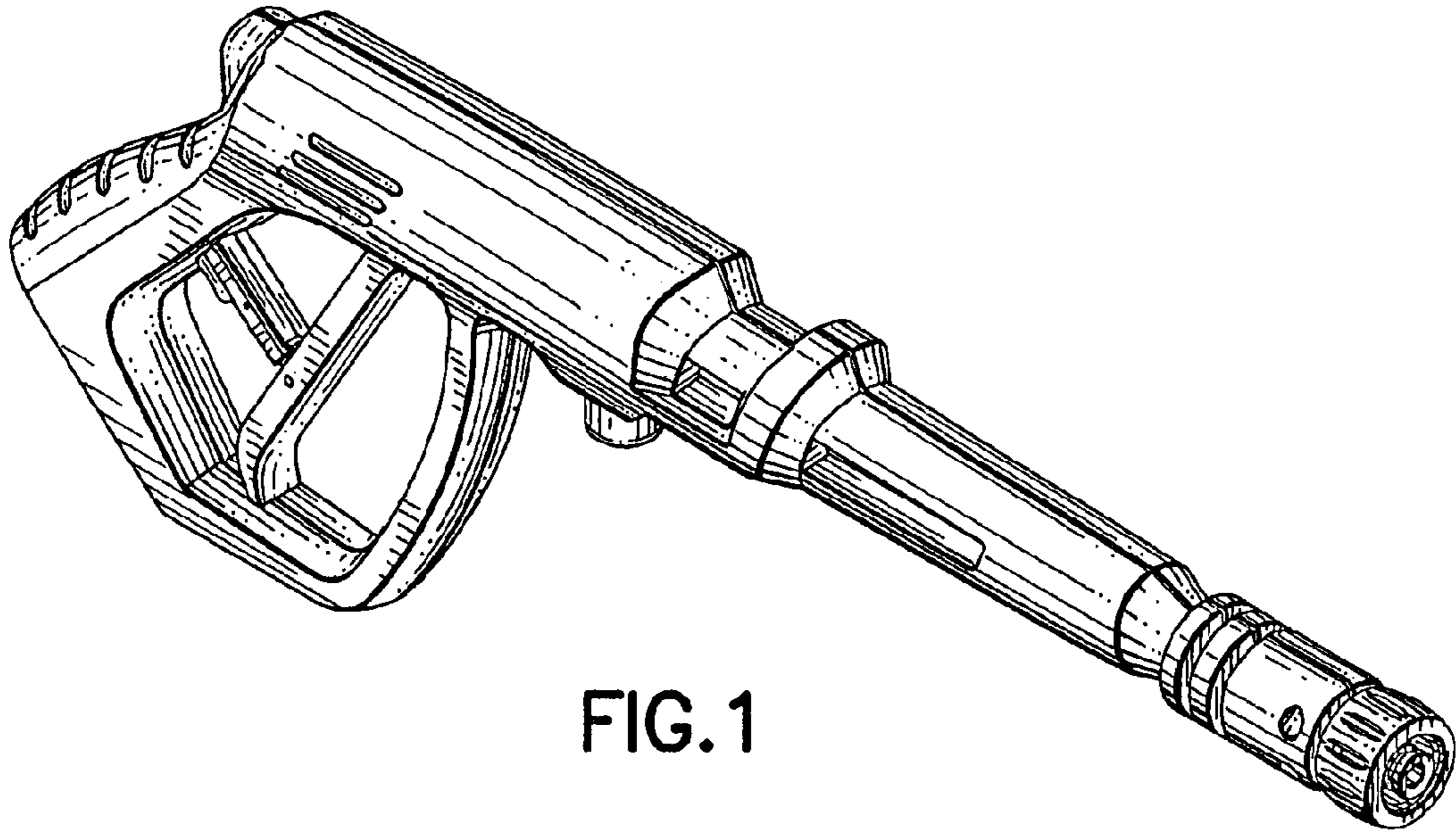


FIG. 1

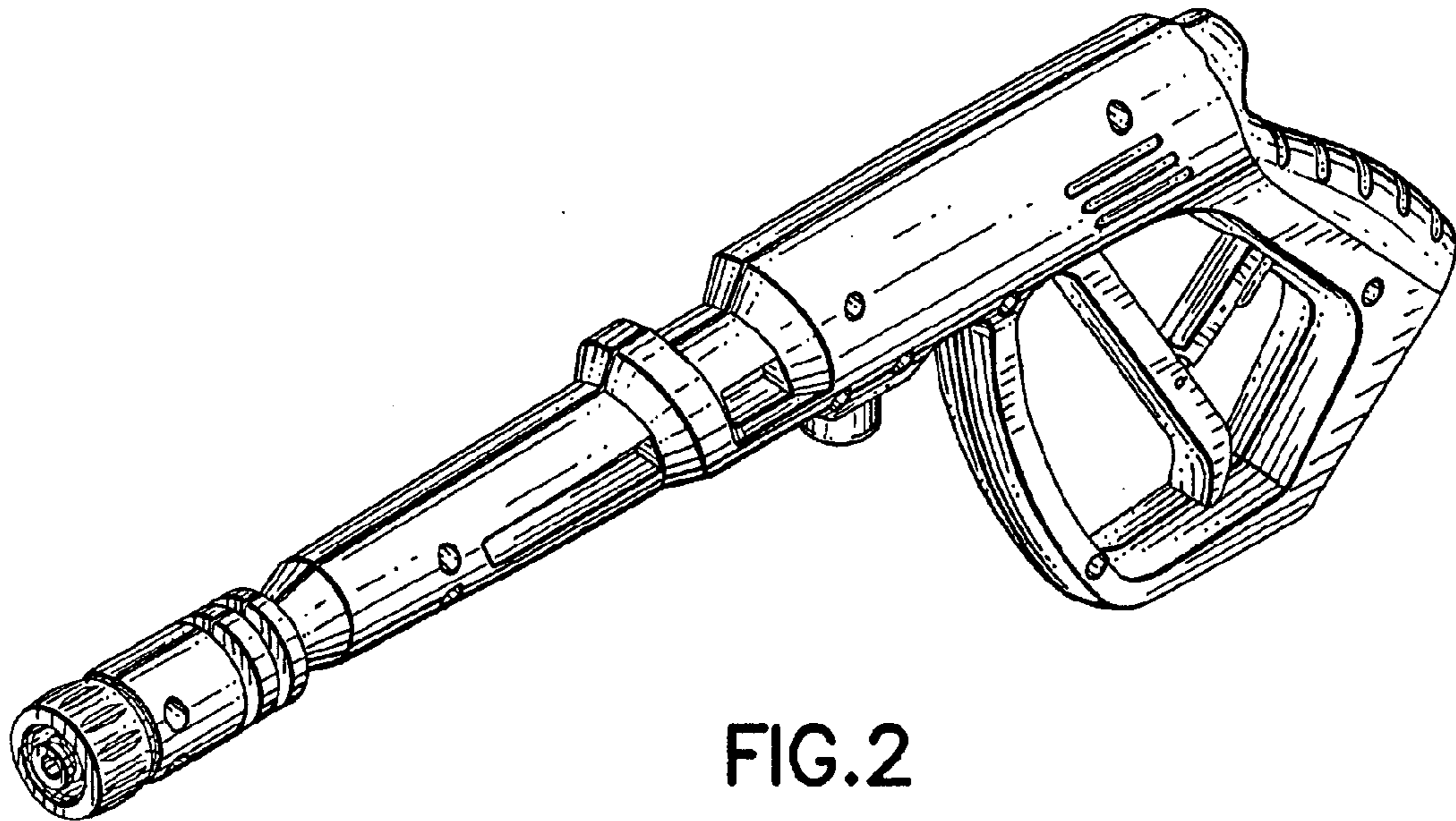


FIG. 2

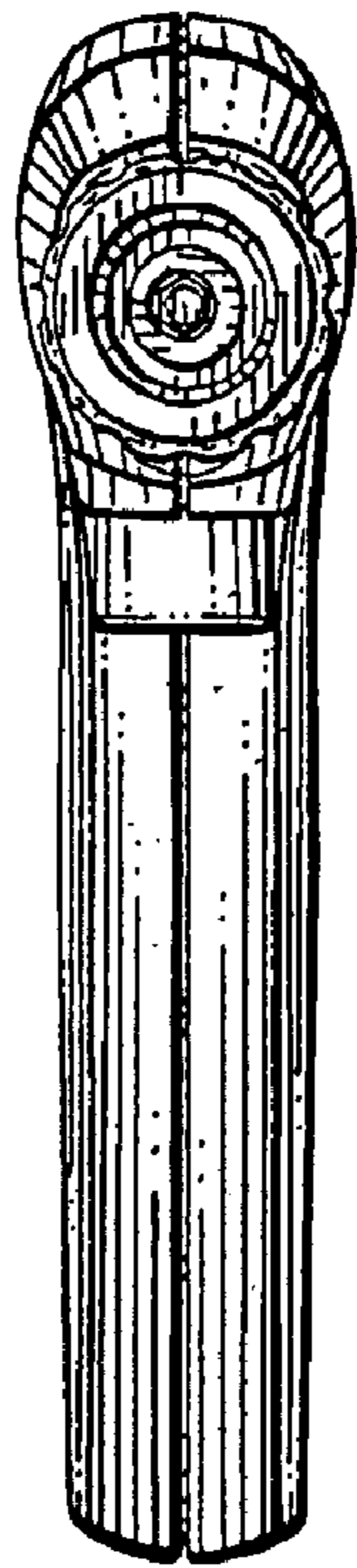


FIG.3

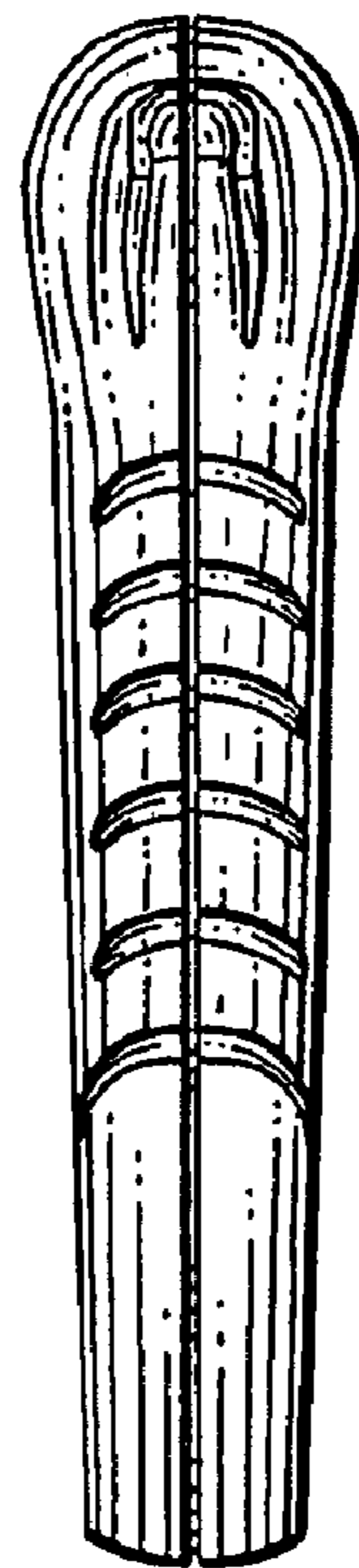


FIG.5

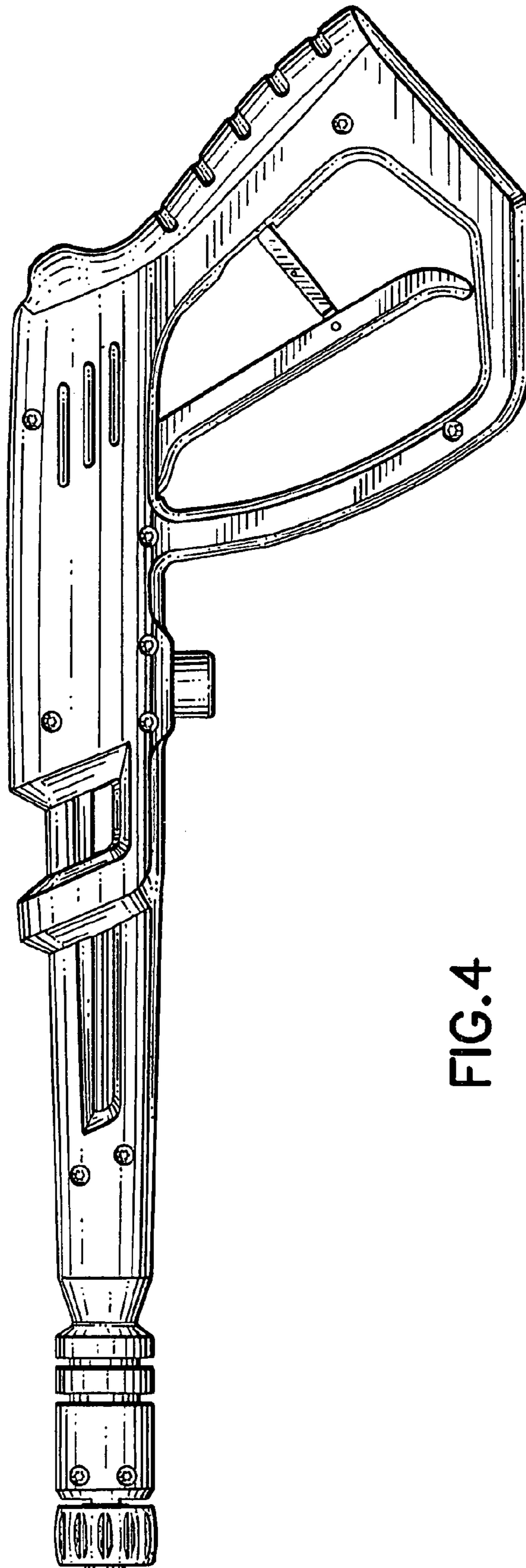


FIG. 4

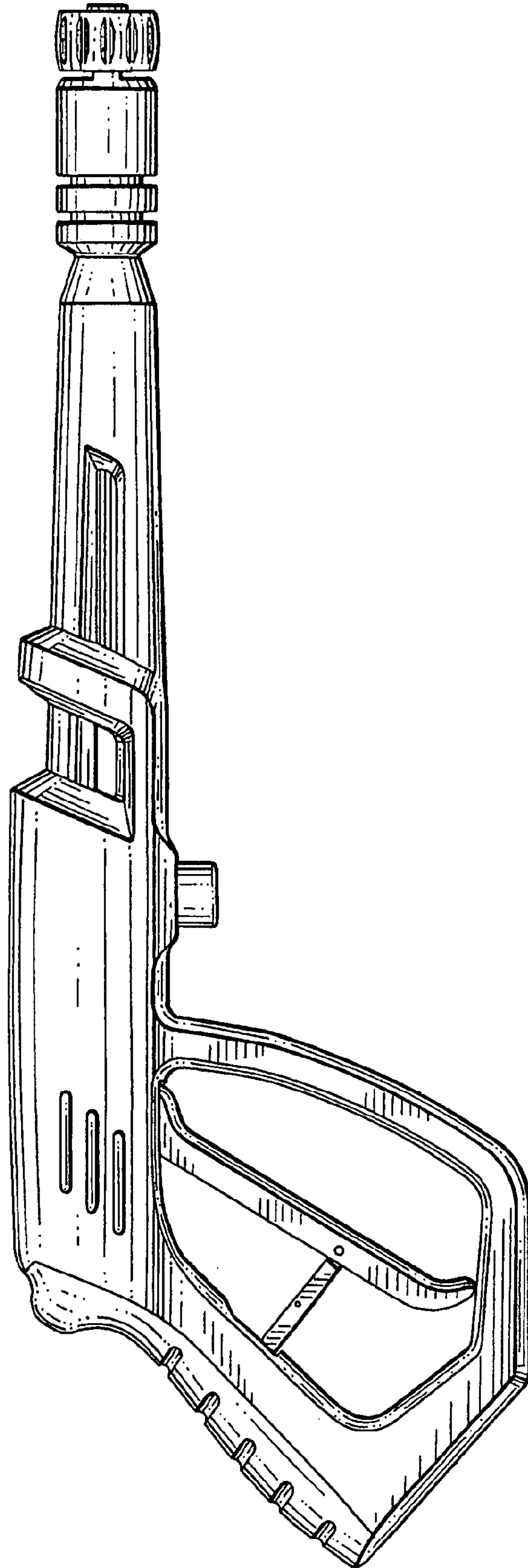


FIG. 6

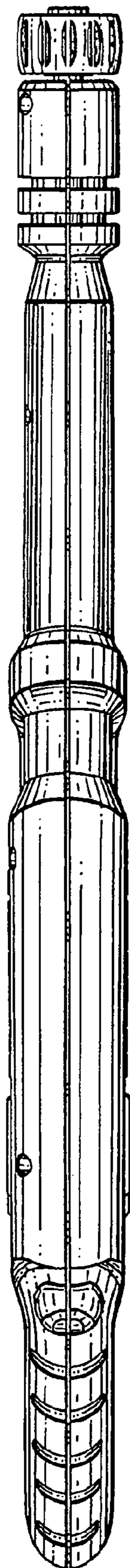


FIG. 7

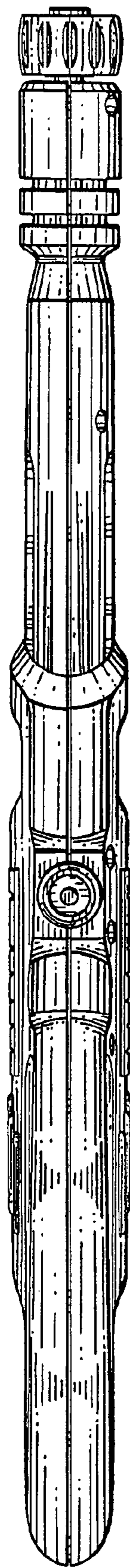


FIG. 8