



US00D571432S

(12) **United States Design Patent**  
**Hardwick**

(10) **Patent No.:** **US D571,432 S**  
(45) **Date of Patent:** **\*\* Jun. 17, 2008**

(54) **DISPENSER HOLDER**

D542,906 S \* 5/2007 Li ..... D23/382

(75) Inventor: **Leonard P. Hardwick**, Naples, FL  
(US)

\* cited by examiner

*Primary Examiner*—Robin V Webster

(73) Assignee: **King Technology Inc.**, Hopkins, MN  
(US)

(74) *Attorney, Agent, or Firm*—Jacobson & Johnson

(\*\*) Term: **14 Years**

(57) **CLAIM**

The ornamental design for a dispenser holder, as shown.

(21) Appl. No.: **29/241,503**

**DESCRIPTION**

(22) Filed: **Oct. 27, 2005**

FIG. 1 is a perspective view of a dispenser holder, showing my design;

(51) **LOC (8) Cl.** ..... **23-01**

FIG. 2 is a top view of the dispenser holder of FIG. 1;

(52) **U.S. Cl.** ..... **D23/208**

FIG. 3 is a front view of the dispenser holder of FIG. 1;

(58) **Field of Classification Search** ..... D23/207–209;  
422/264–265; 210/167.11

FIG. 4 is a back view of the dispenser holder of FIG. 1;

See application file for complete search history.

FIG. 5 is a bottom view of the dispenser holder of FIG. 1;

(56) **References Cited**

FIG. 6 is a right side view of the dispenser holder of FIG. 1; and,

**U.S. PATENT DOCUMENTS**

FIG. 7 is a left view of the dispenser holder of FIG. 1.

5,053,206 A \* 10/1991 Maglio et al. .... 422/264  
6,210,566 B1 \* 4/2001 King ..... 210/167.11  
6,982,040 B2 \* 1/2006 Costa et al. .... 210/753  
7,060,190 B2 \* 6/2006 King et al. .... 210/754

The broken line showing is for illustrative purposes only and forms no part of the claimed design.

**1 Claim, 4 Drawing Sheets**

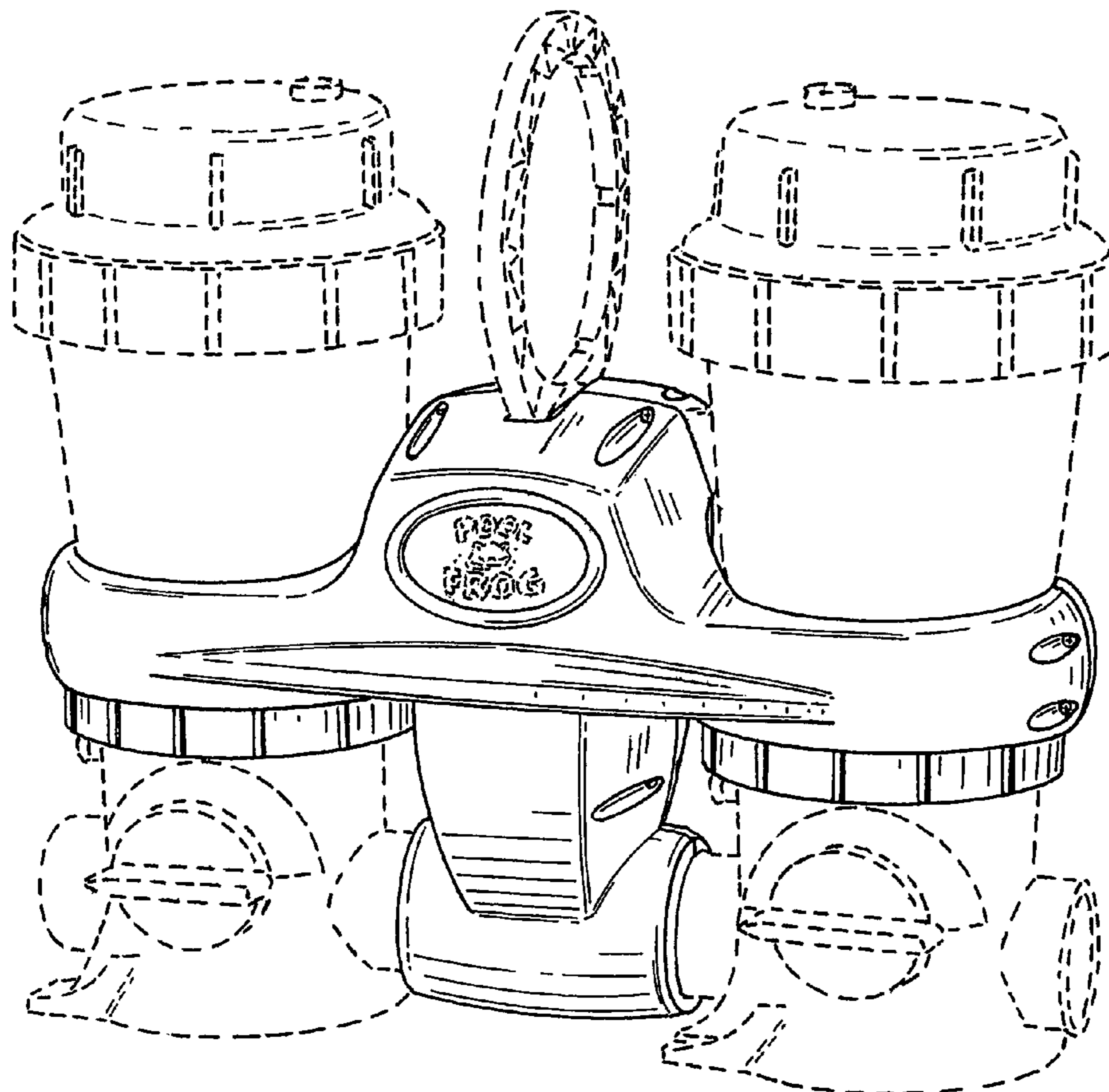


FIG. 1

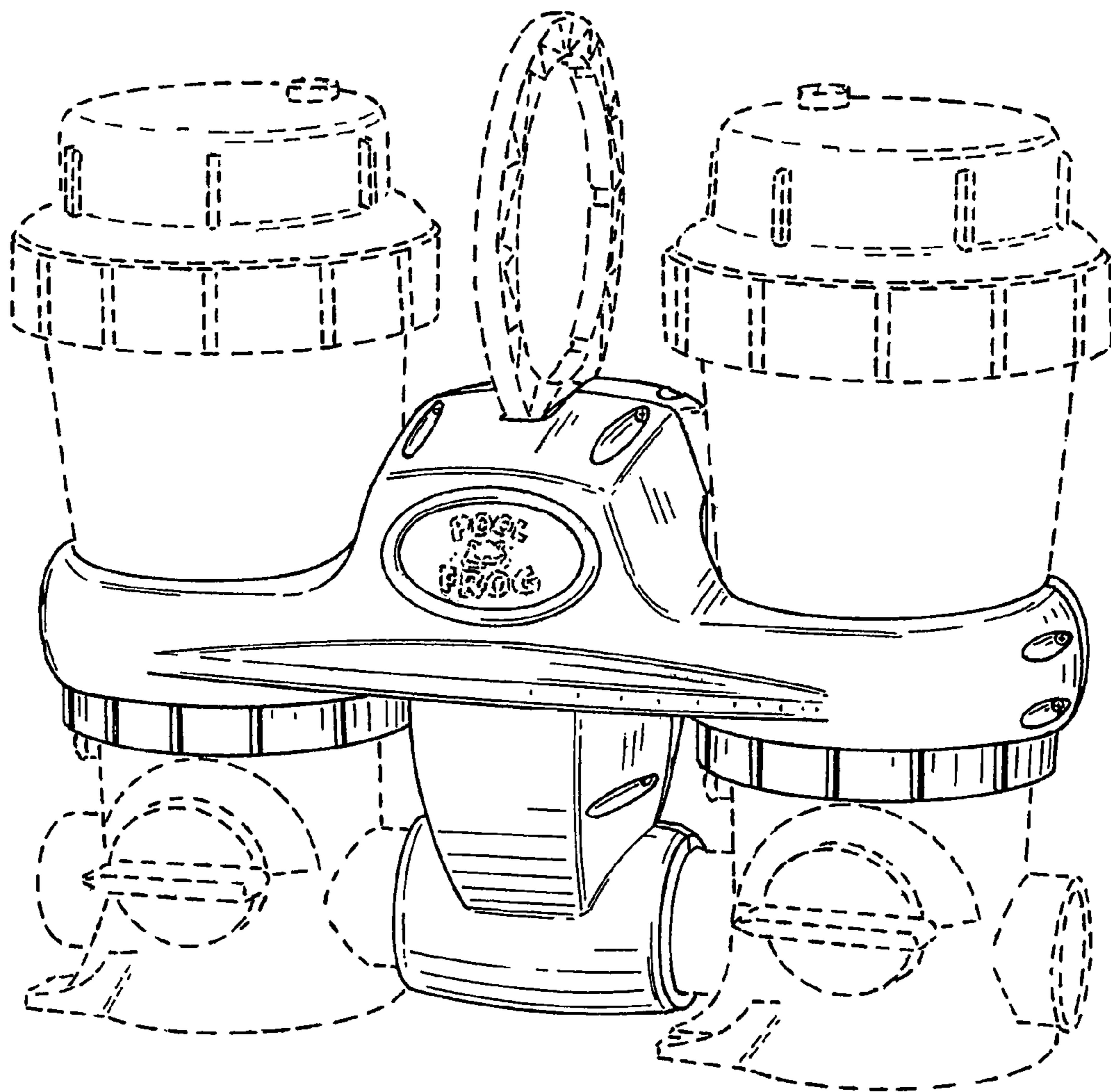


FIG. 2

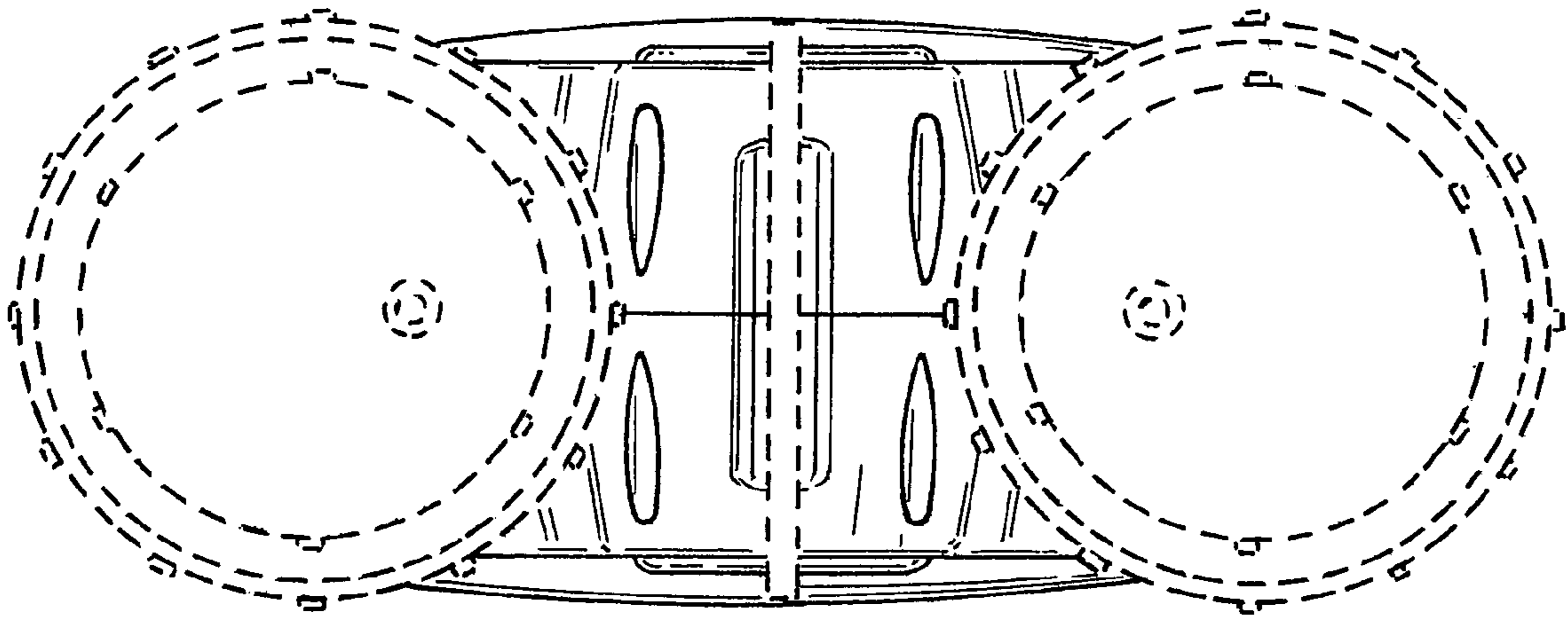


FIG. 3

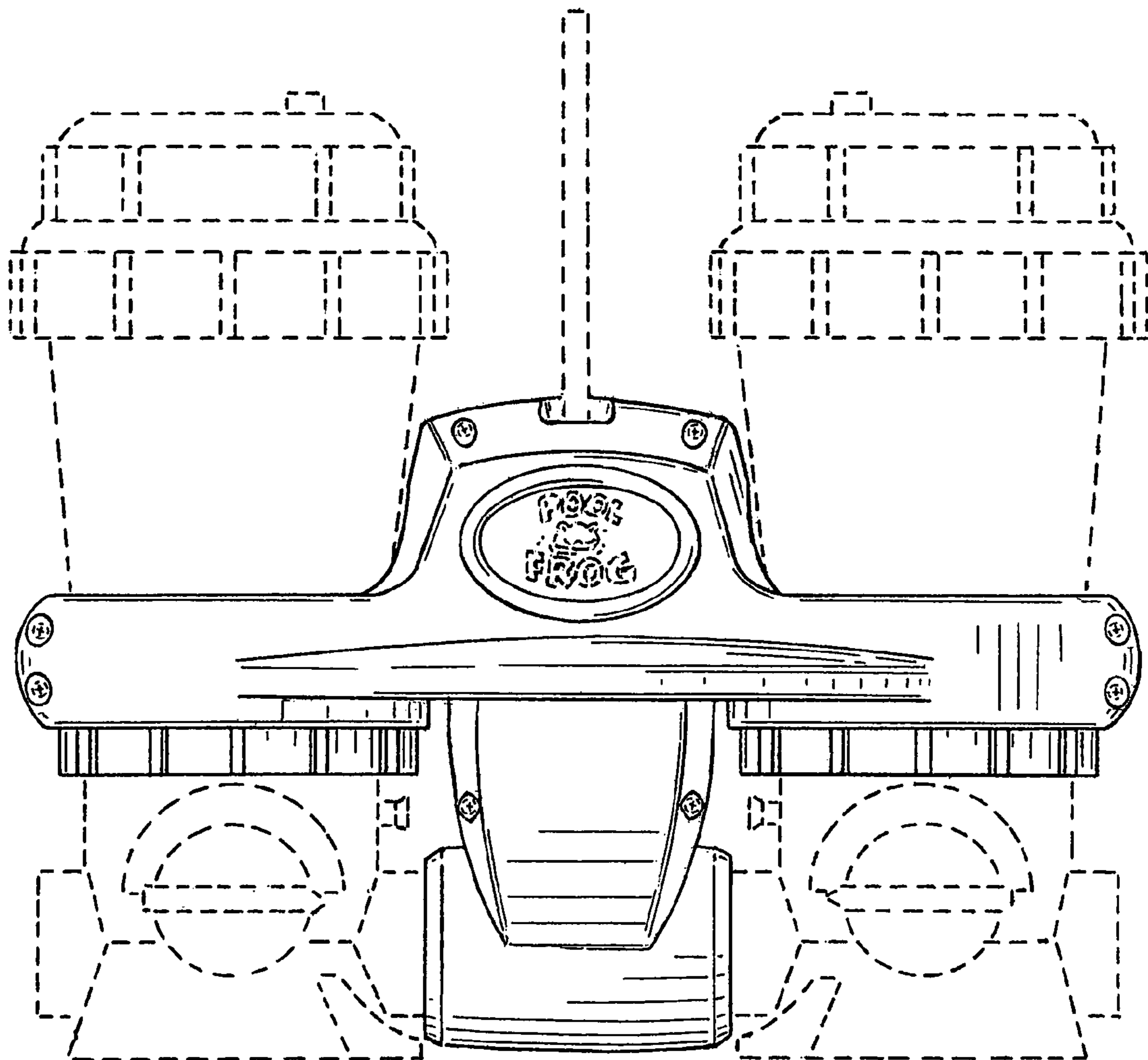


FIG. 4

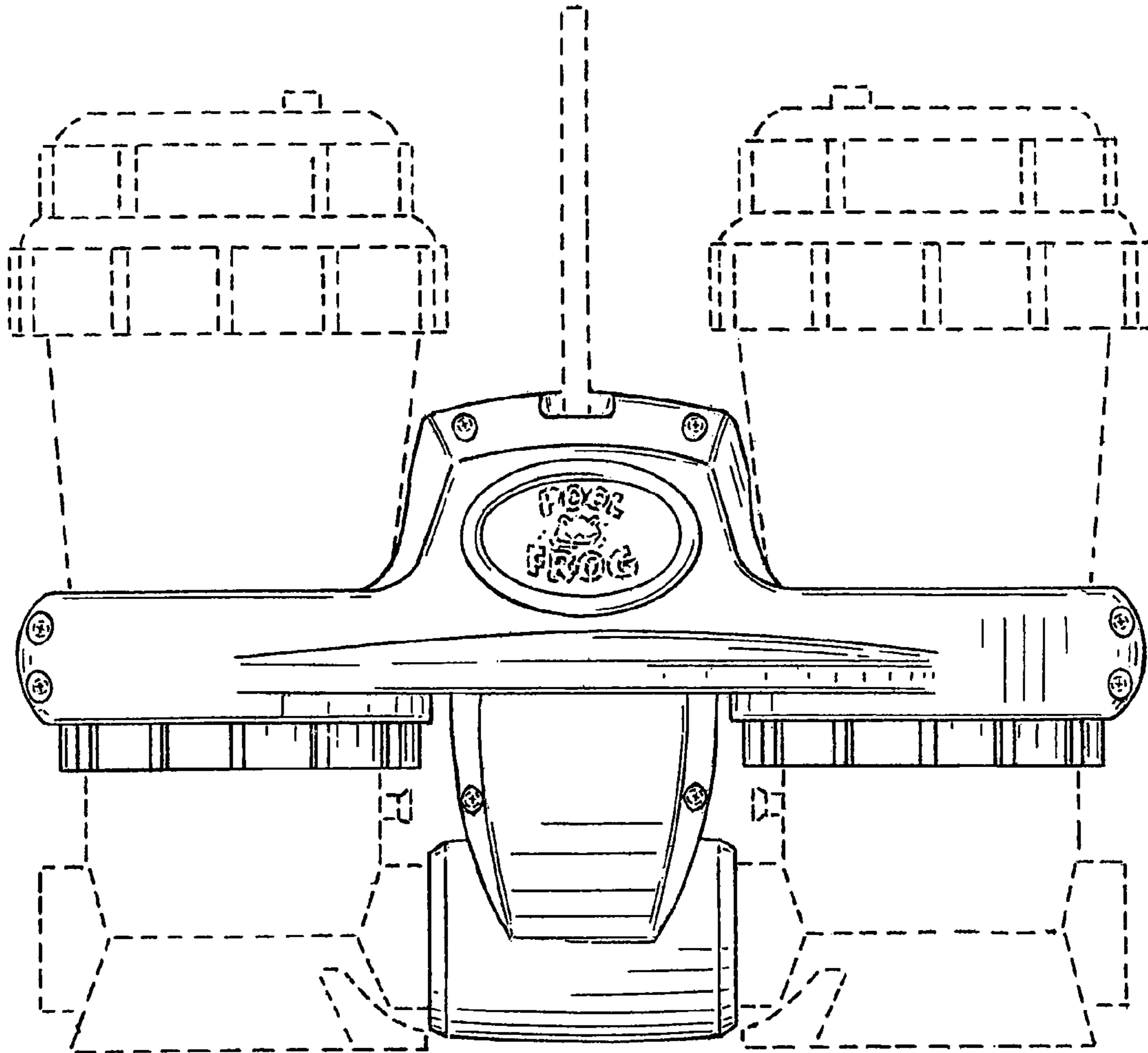
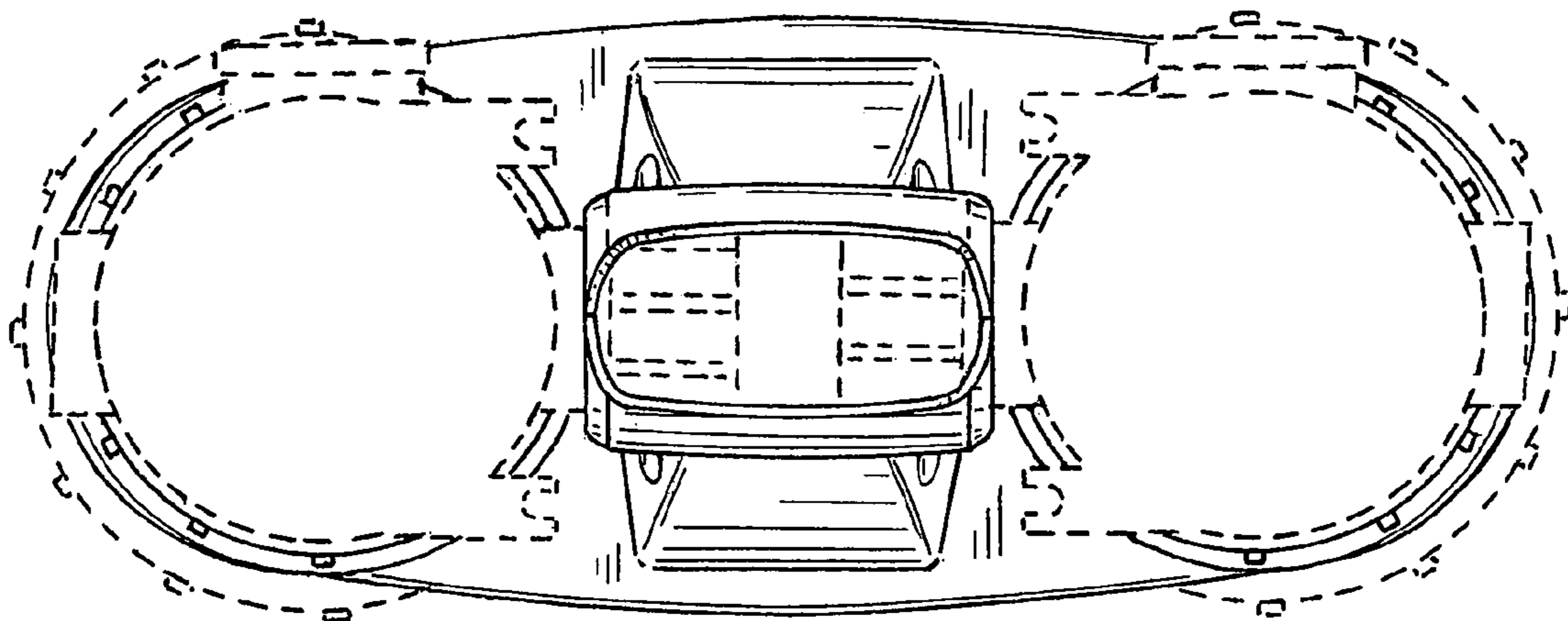
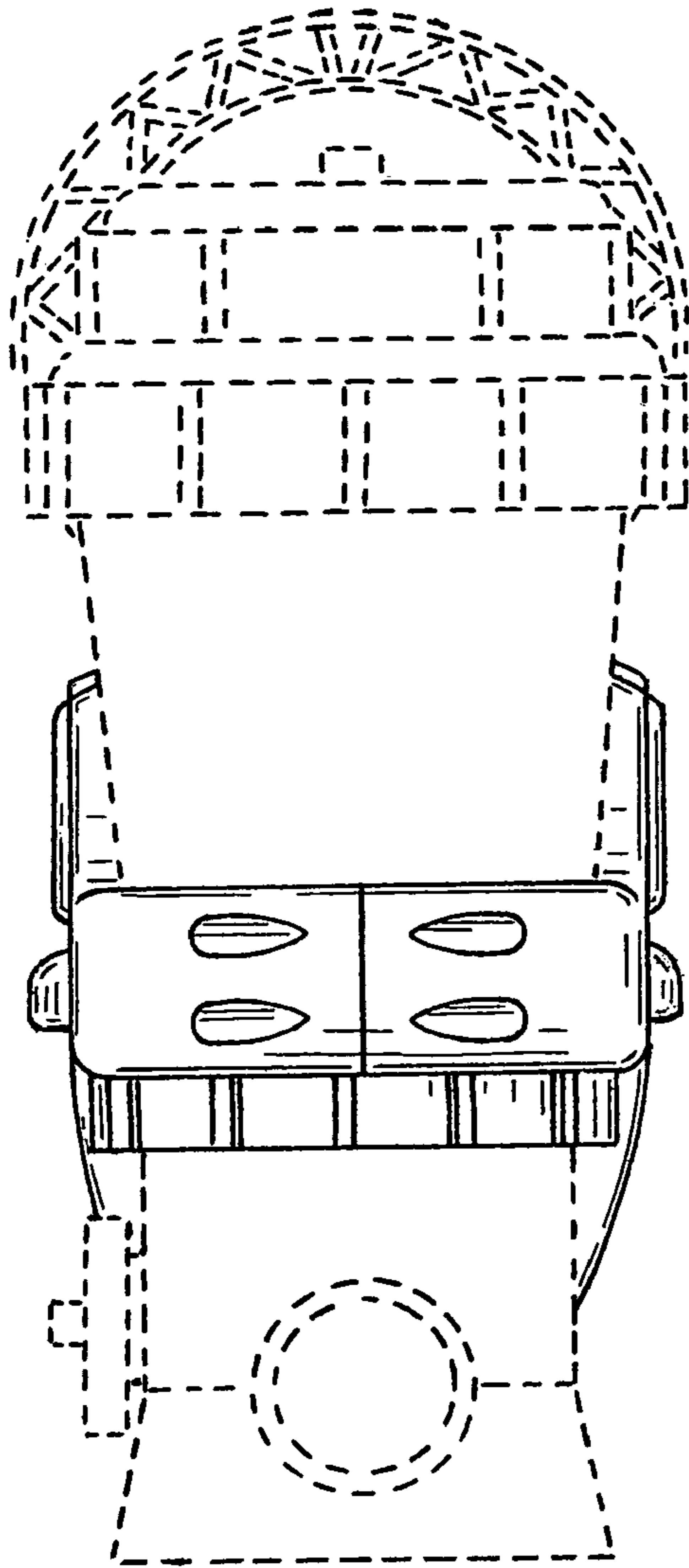


FIG. 5



*FIG. 6*



*FIG. 7*

