

US00D571430S

(12) **United States Design Patent**
Richmond

(10) **Patent No.:** **US D571,430 S**
(45) **Date of Patent:** **** Jun. 17, 2008**

(54) **ADHESIVE INSECT**

(76) Inventor: **Todd A. Richmond**, 102044 S. 4730 Rd., Muldrow, OK (US) 74948

(**) Term: **14 Years**

(21) Appl. No.: **29/261,472**

(22) Filed: **Jun. 13, 2006**

(51) **LOC (8) Cl.** **22-06**

(52) **U.S. Cl.** **D22/122**

(58) **Field of Classification Search** D22/119–125;
43/107, 112–116, 122, 131

See application file for complete search history.

(56) **References Cited**

U.S. PATENT DOCUMENTS

6,928,769 B2 *	8/2005	Crawley et al.	43/107
2003/0033747 A1 *	2/2003	Crawley et al.	43/114
2004/0200130 A1 *	10/2004	Klein	43/114

* cited by examiner

Primary Examiner—Catherine R Oliver

(74) *Attorney, Agent, or Firm*—Keisling Pieper & Scott PLC; Trent C. Keisling; David B. Pieper

(57) **CLAIM**

The ornamental design for an adhesive insect, as shown and described.

DESCRIPTION

FIG. 1 is an environmental view showing my adhesive insect trap deployed on a bed post with an innermost portion removed and the protective covering of the adhesive portion removed and with the trap wrapped upon itself and with the

adhesive section deployed facing the ground with no claim made to the dashed bed post portions;

FIG. 2 is another environmental view thereof showing the invention being wrapped around a bed post and wrapped upon itself with an innermost portion removed and the protective covering of the adhesive portion removed and with the adhesive section deployed facing the ground with no claim made to the dashed bed post portions;

FIG. 3 is a slightly enlarged top plan view thereof;

FIG. 4 is a slightly enlarged side elevational taken generally from the right side of FIG. 3 thereof;

FIG. 5 is a slightly enlarged side elevational taken generally from the bottom side of FIG. 3, with the top side and left sides being mirror images thereof;

FIG. 6 is a slightly enlarged bottom plan view thereof with the removable protective covering of the adhesive portion attached;

FIG. 7 is a slightly enlarged perspective view thereof;

FIG. 8 is a slightly enlarged perspective view with an edge of the protective covering upturned thereof;

FIG. 9 is a slightly enlarged perspective view with the protective covering removed thereof;

FIG. 10 is an environmental view showing my adhesive insect trap deployed on a bed post with an innermost portion removed and the protective covering of the adhesive portion removed and with the trap wrapped upon itself and with the adhesive section deployed facing the bed with no claim made to the dashed bed post portions; and,

FIG. 11 is an environmental view thereof with an innermost portion removed and the protective covering of the adhesive portion removed and with the trap wrapped upon itself and with the adhesive section deployed facing the bed with no claim made to the dashed bed post portions.

1 Claim, 4 Drawing Sheets

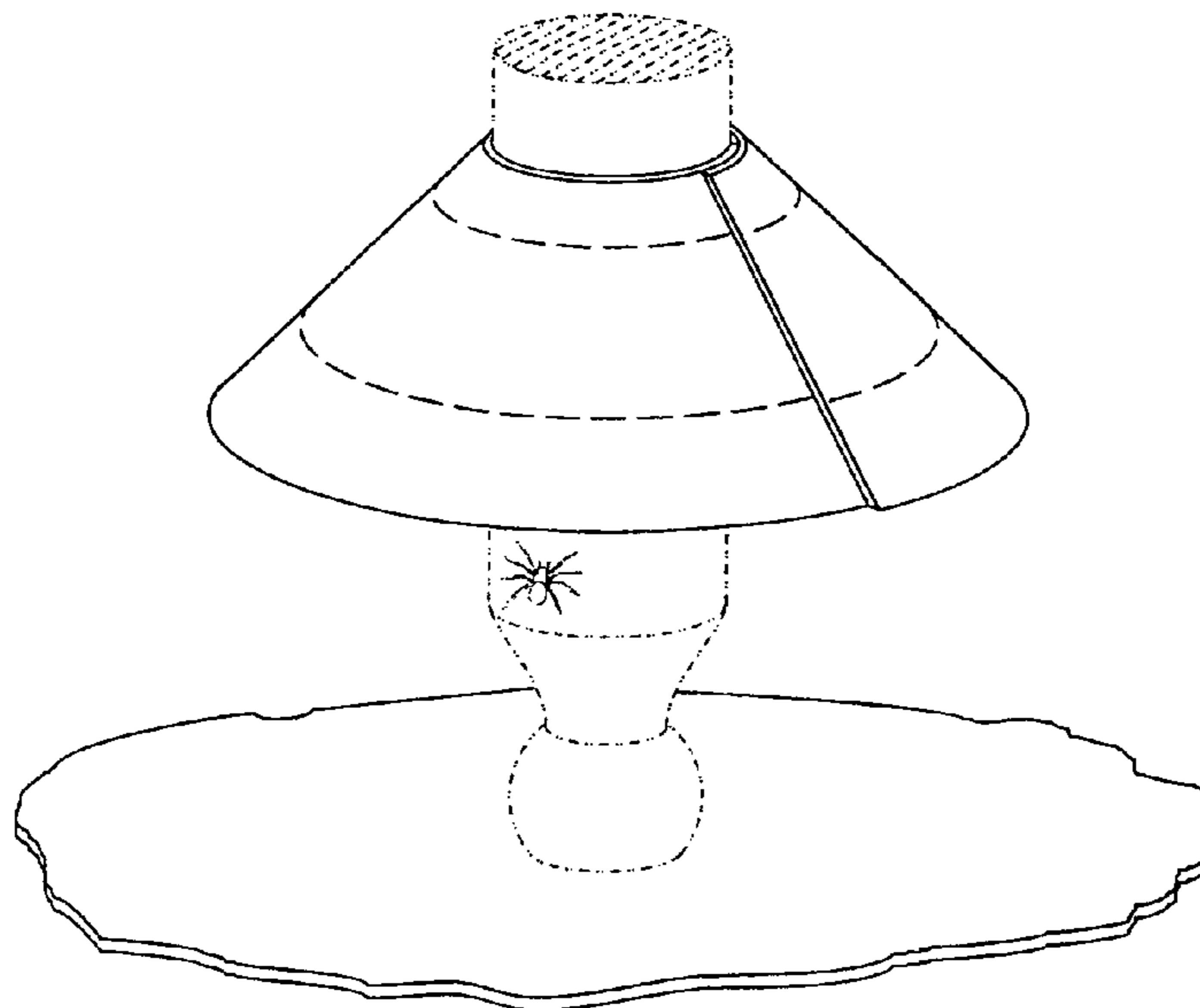


FIG. 1

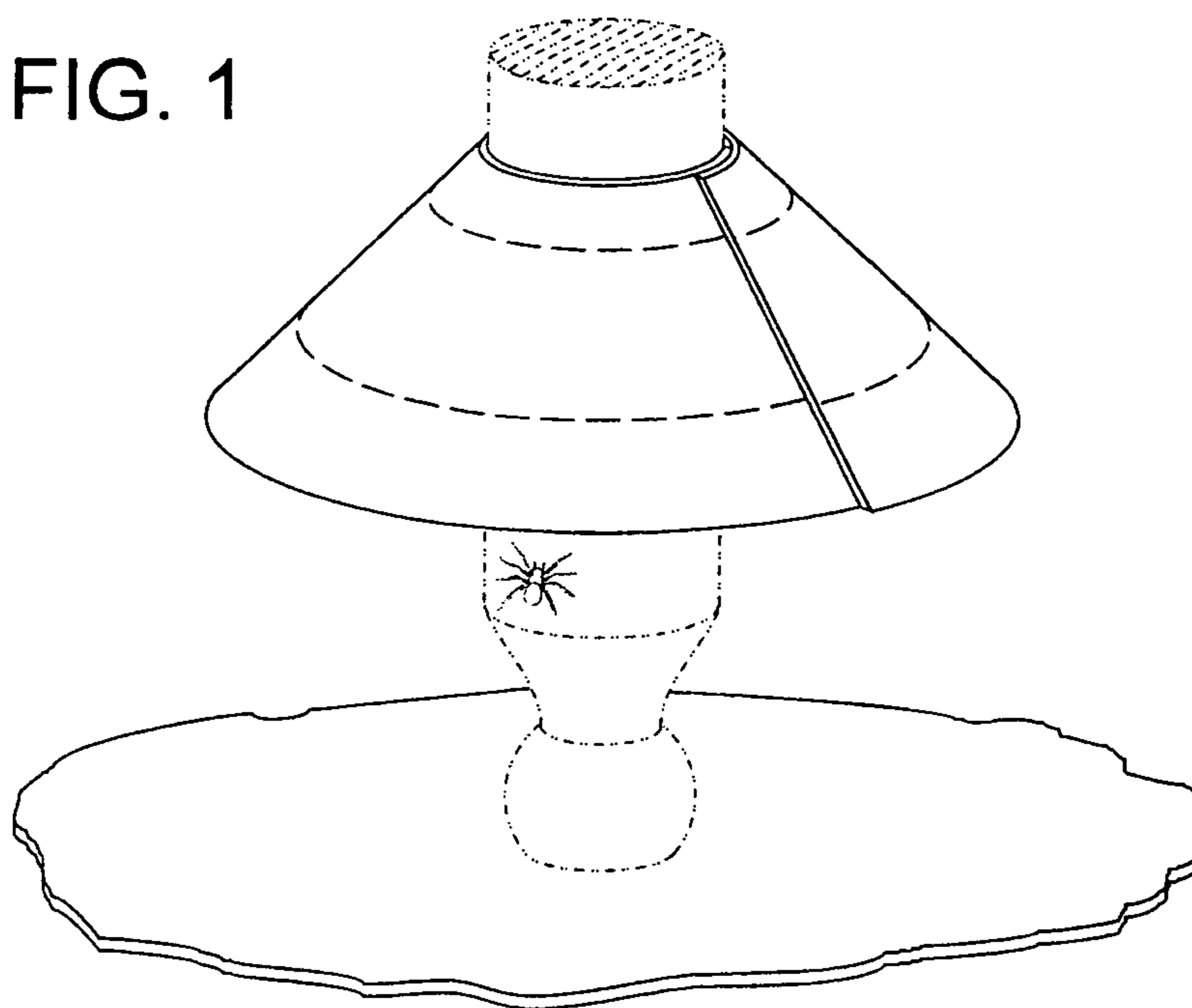


FIG. 2

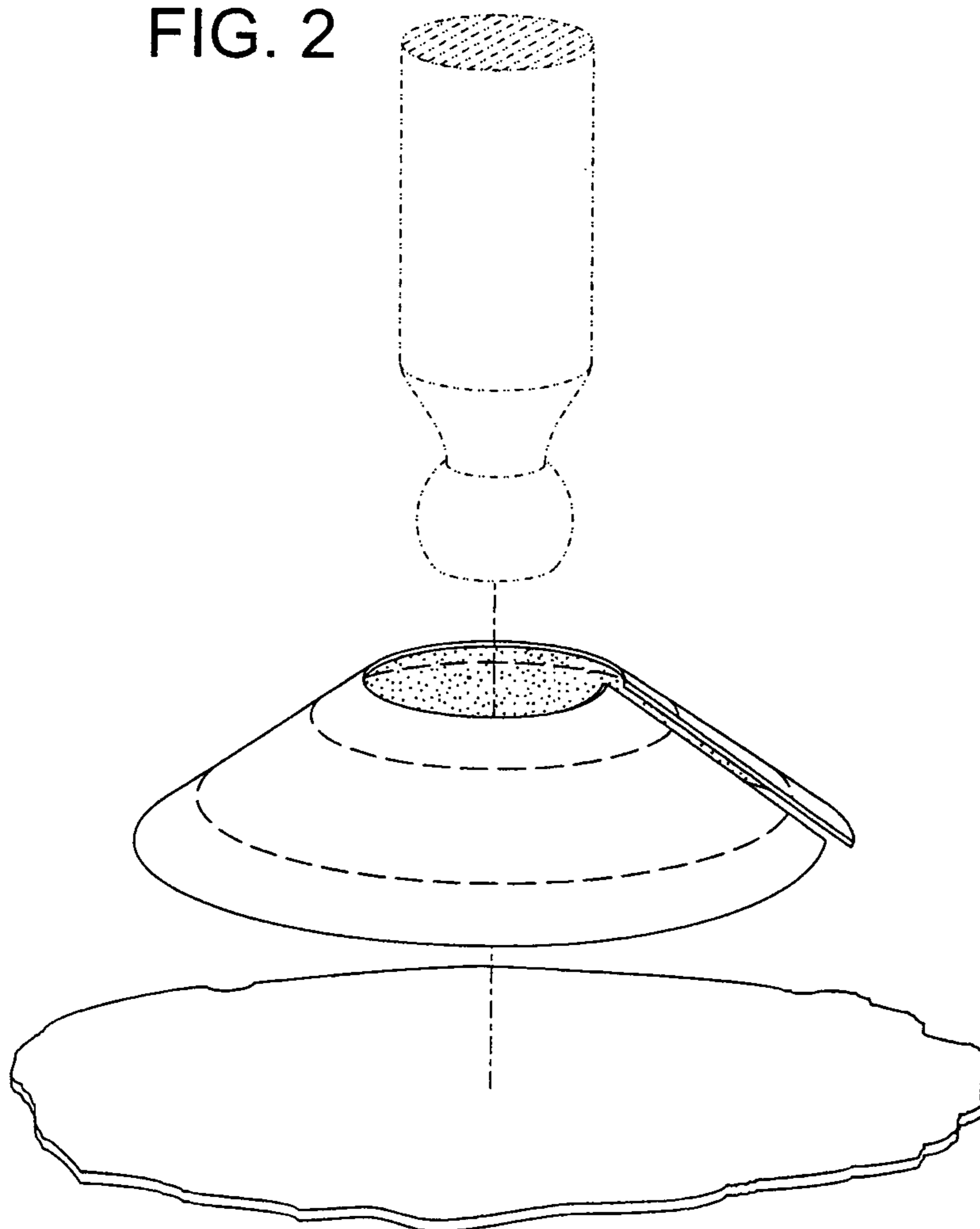


FIG. 3

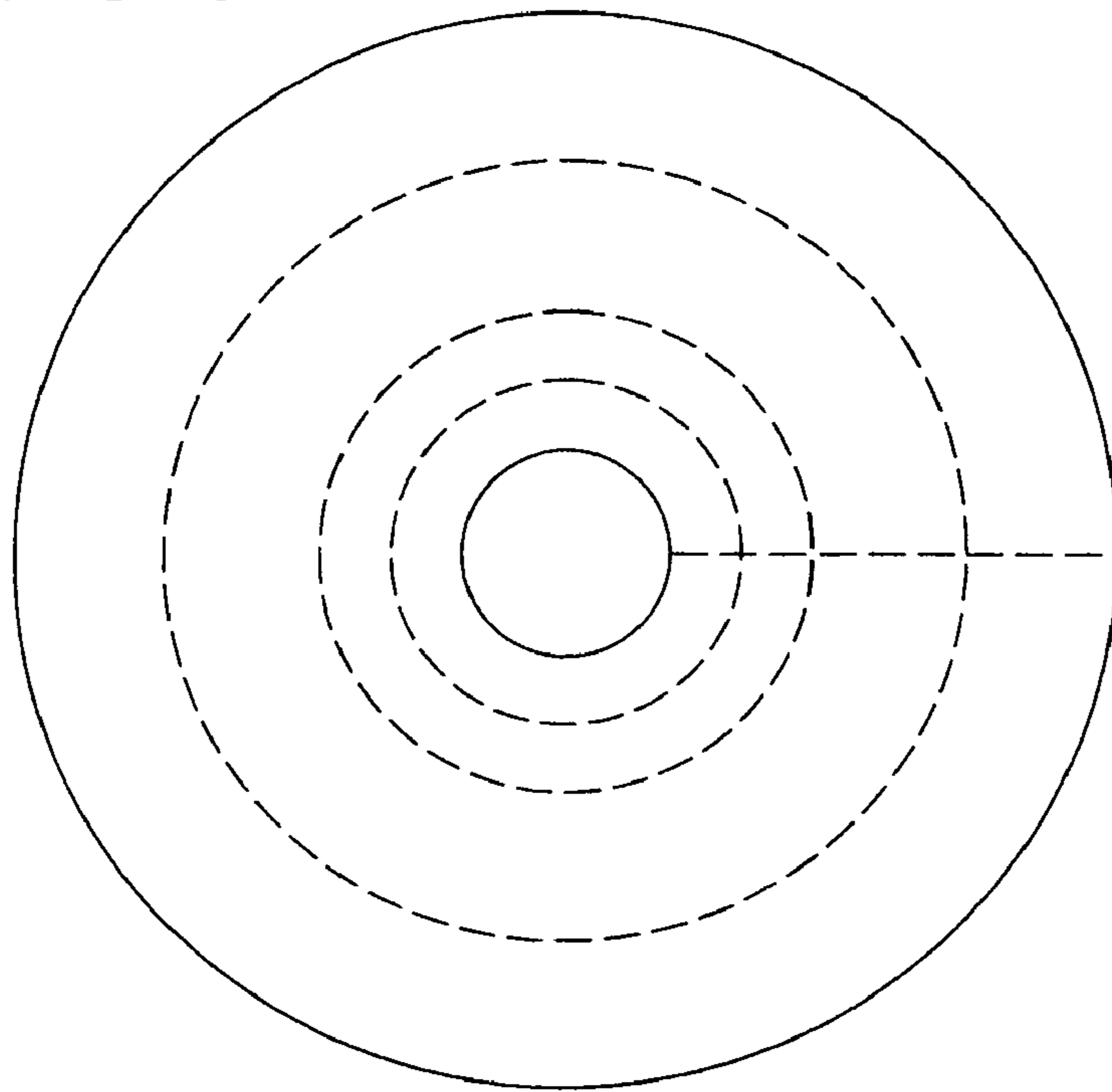


FIG. 4



FIG. 5

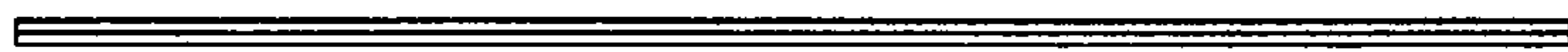


FIG. 6

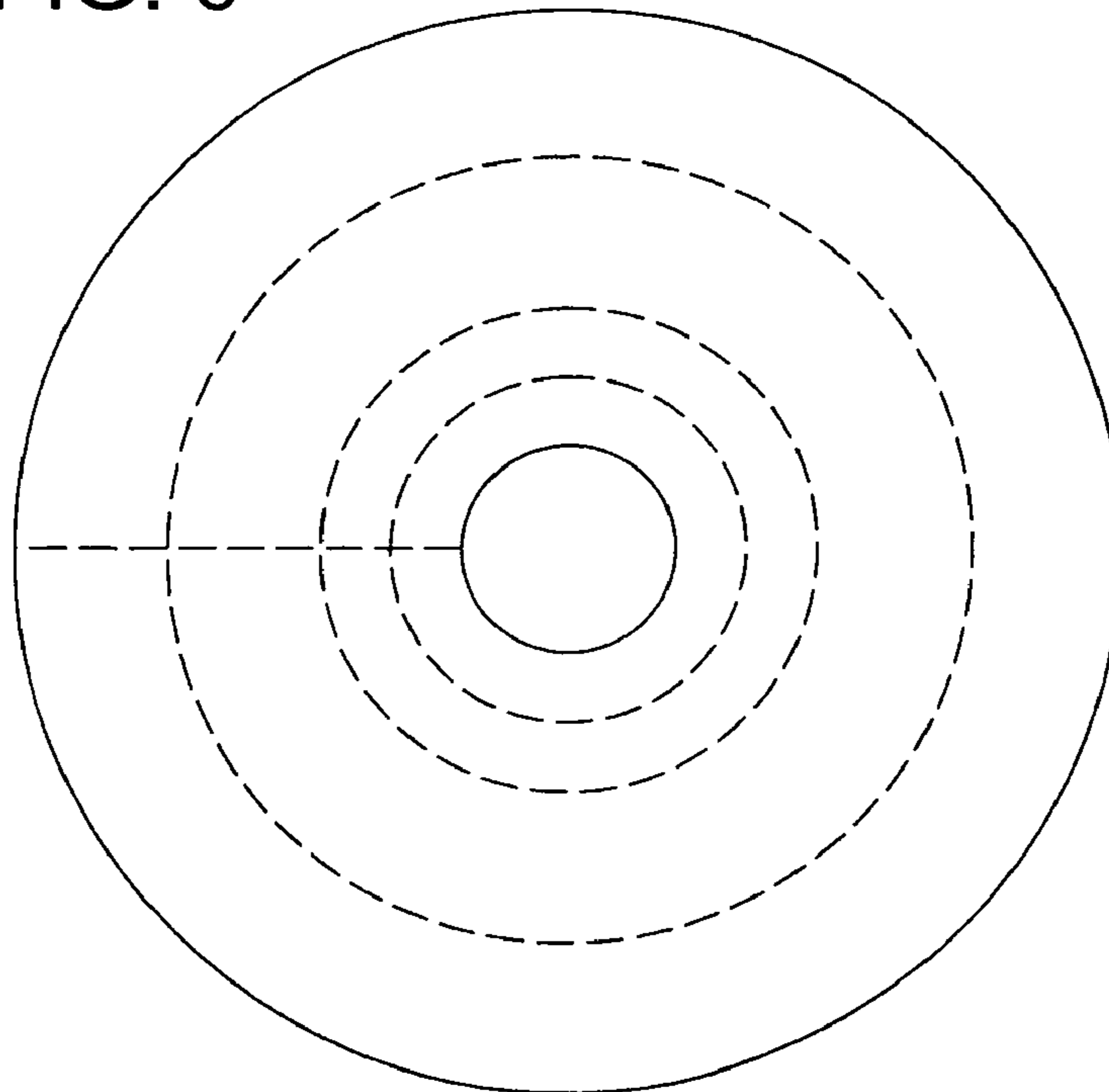


FIG. 7

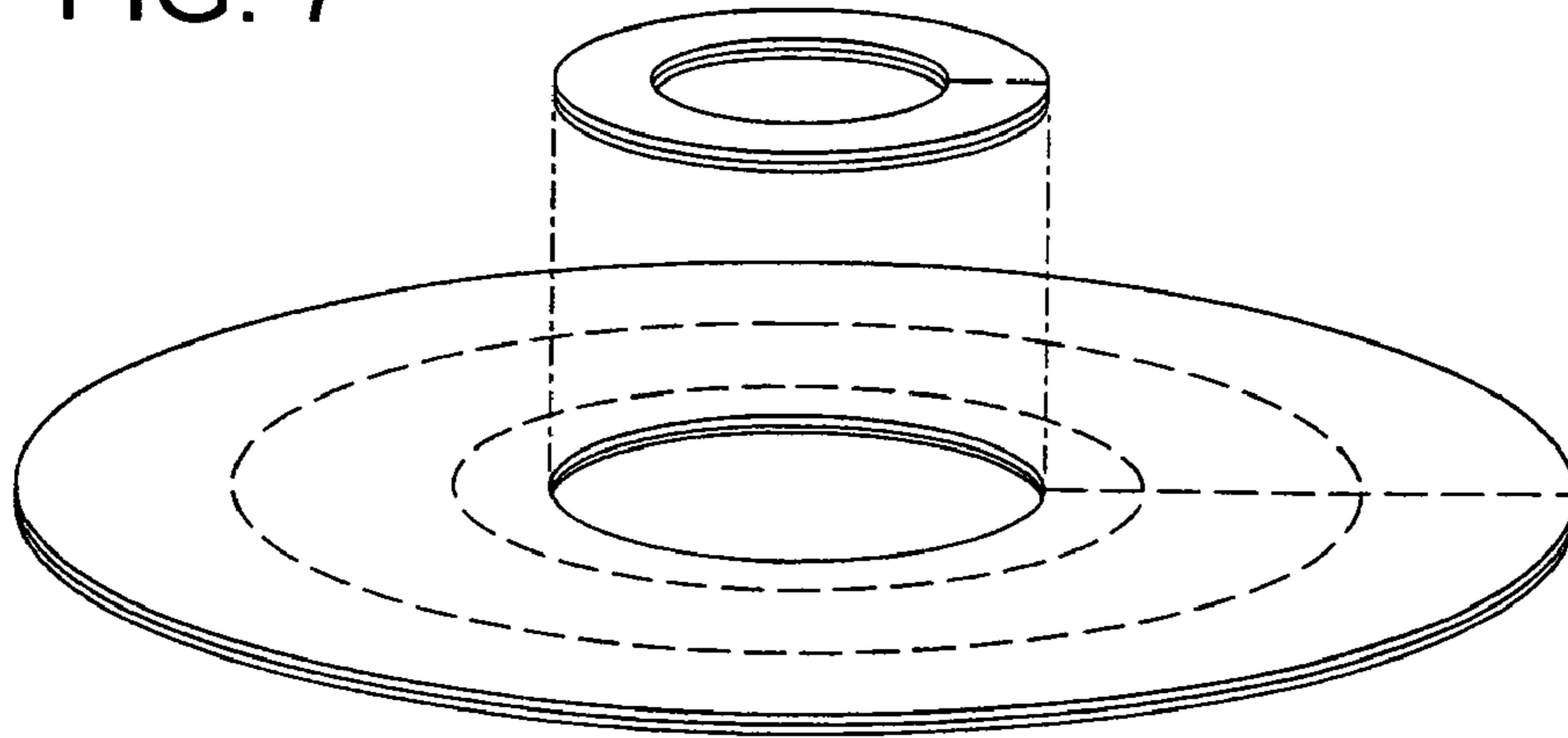


FIG. 8

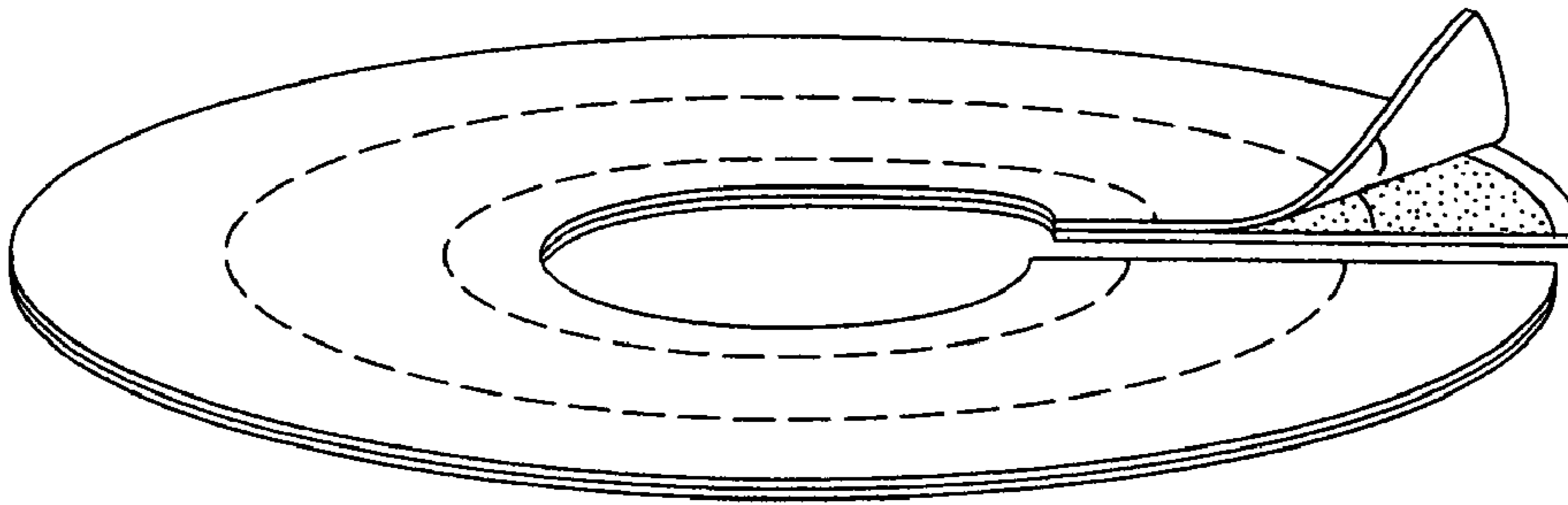


FIG. 9

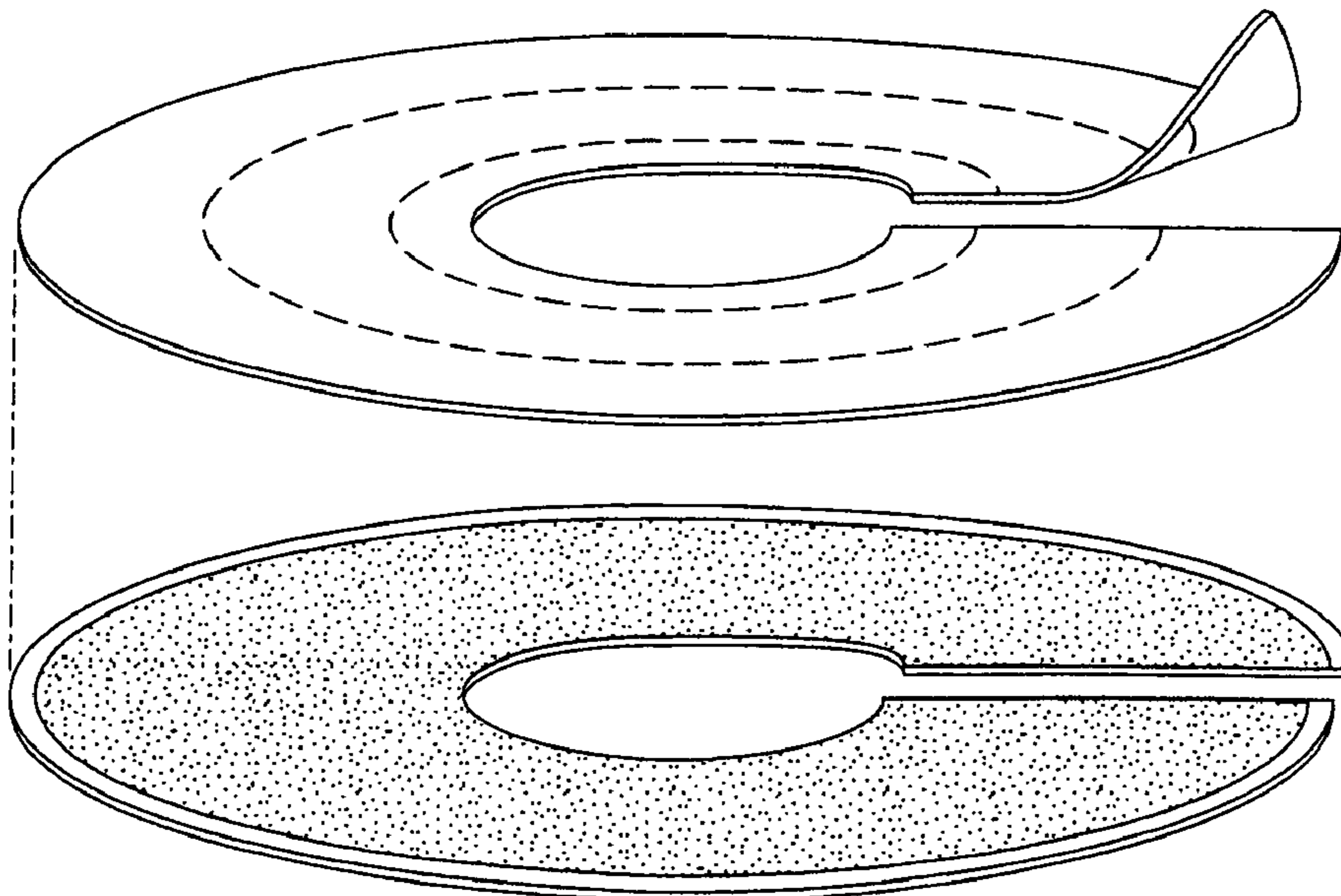


FIG. 10

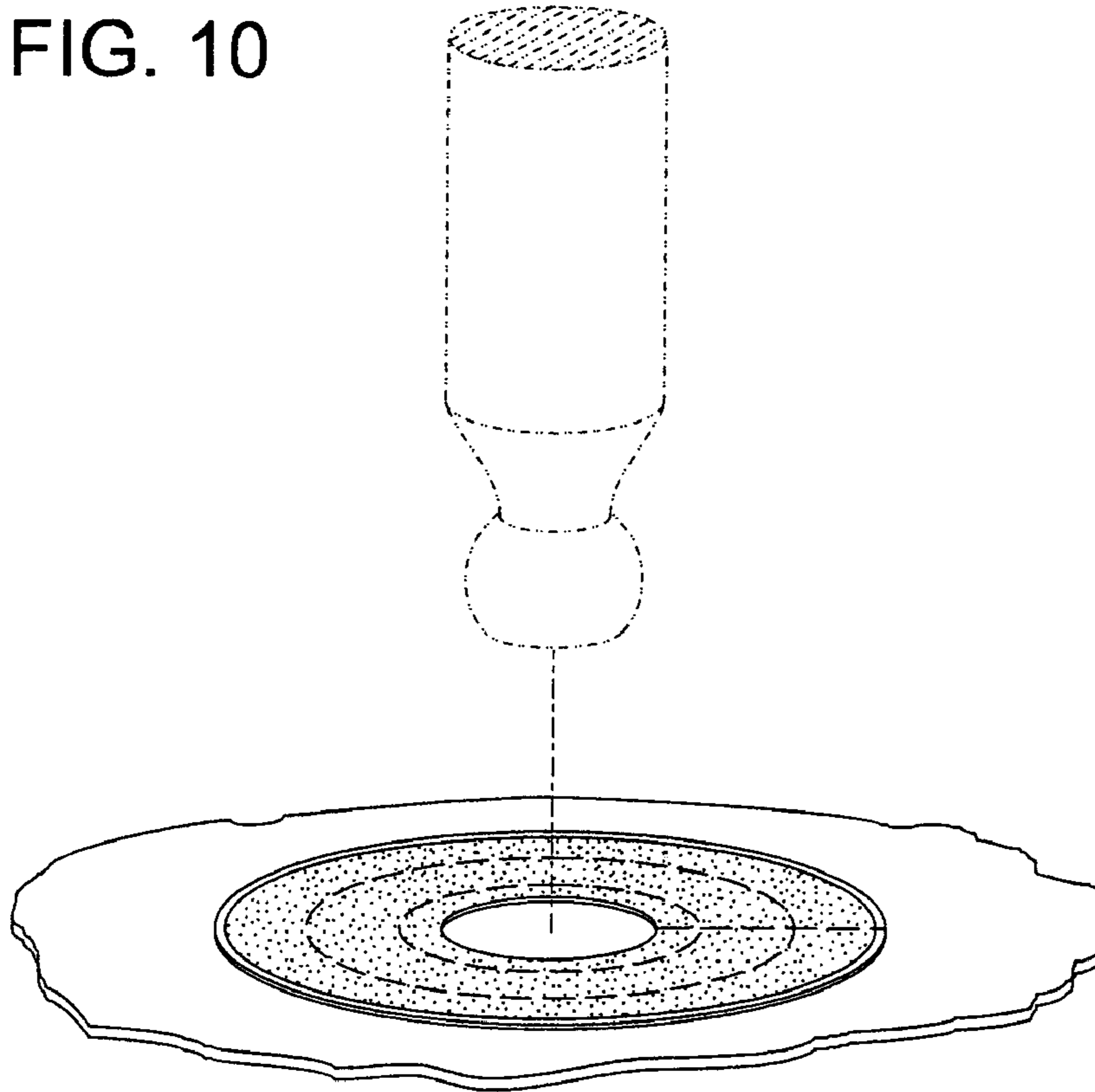
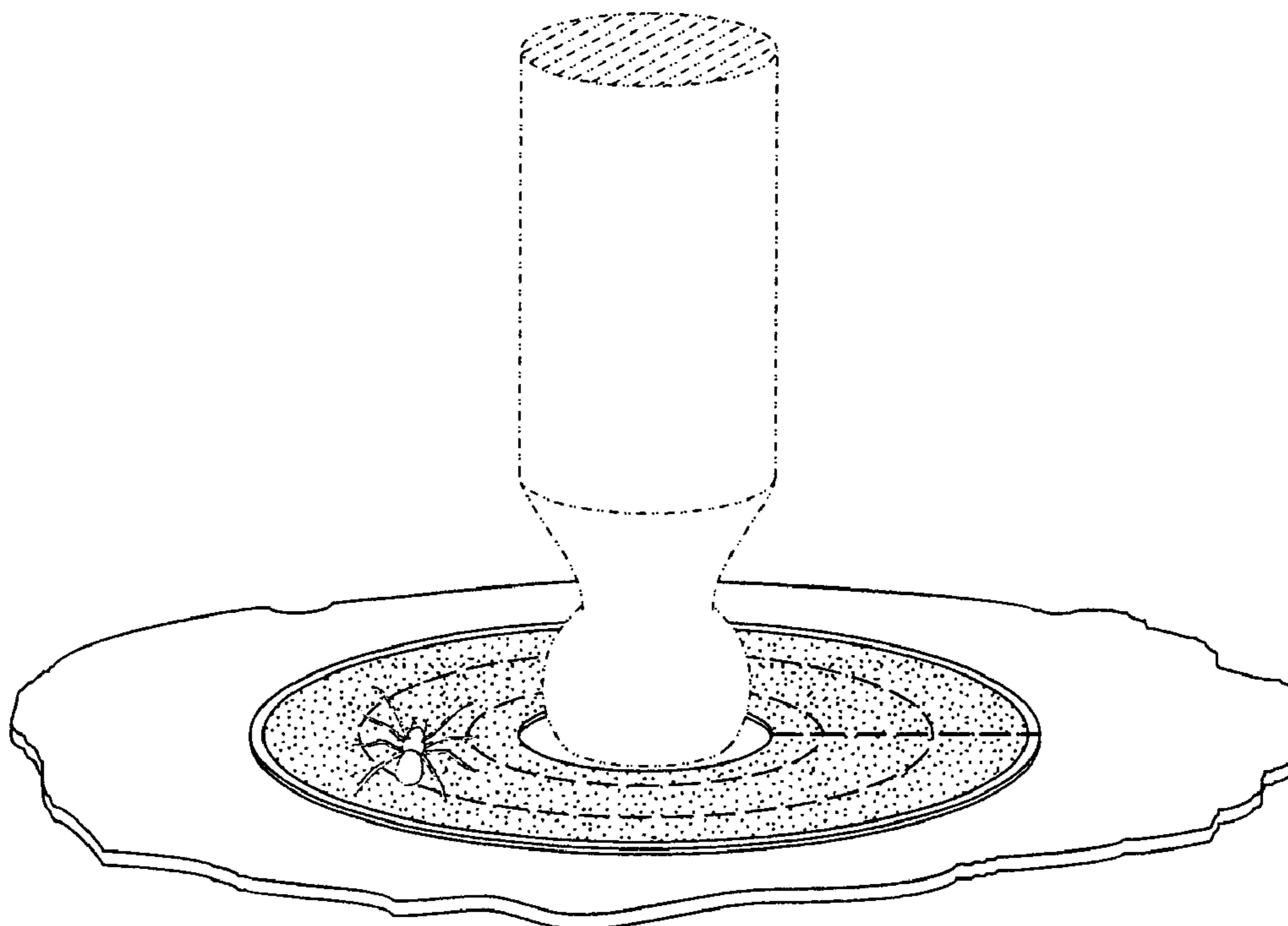


FIG. 11



UNITED STATES PATENT AND TRADEMARK OFFICE
CERTIFICATE OF CORRECTION

PATENT NO. : Des. 571,430 S
APPLICATION NO. : 29/261472
DATED : June 17, 2008
INVENTOR(S) : Todd A. Richmond

Page 1 of 1

It is certified that error appears in the above-identified patent and that said Letters Patent is hereby corrected as shown below:

Title Page should read
(54) ADHESIVE INSECT TRAP

Signed and Sealed this

Twenty-fourth Day of February, 2009



JOHN DOLL
Acting Director of the United States Patent and Trademark Office