

US00D571429S

(12) **United States Design Patent**
Roberts

(10) **Patent No.: US D571,429 S**

(45) **Date of Patent: ** Jun. 17, 2008**

(54) **INFLATABLE POOL FLOAT**

(76) Inventor: **Jeffrey Carlile Roberts**, P.O. Box
1861, Muskogee, OK (US) 74402

(**) Term: **14 Years**

(21) Appl. No.: **29/296,596**

(22) Filed: **Oct. 24, 2007**

(51) **LOC (8) Cl. 21-02**

(52) **U.S. Cl. D21/809; D21/803**

(58) **Field of Classification Search** D21/769-770,
D21/801, 803, 809; D6/392, 596, 601, 604;
D12/5, 6, 316; 472/128-129; 114/253, 345,
114/346; 441/35, 40-42, 66, 129-132

See application file for complete search history.

(56) **References Cited**

U.S. PATENT DOCUMENTS

2,717,399	A *	9/1955	Backhouse	441/135
2,986,751	A *	6/1961	Baren	441/66
D225,183	S	11/1972	Waters		
D258,481	S *	3/1981	Kroll	D6/604
4,723,329	A *	2/1988	Vaccaro	5/710
4,798,551	A	1/1989	Dumonceaux et al.		
4,799,910	A	1/1989	Kellough		
D299,941	S *	2/1989	Chang	D12/306
4,913,672	A *	4/1990	Martin	441/40
D308,403	S *	6/1990	LaForce, Jr.	D21/809
D322,301	S	12/1991	Harris		
D330,139	S	10/1992	Bloom		
D334,419	S *	3/1993	Klein	D21/769
D335,908	S	5/1993	Jackson		
D343,220	S	1/1994	Fireman		
D343,980	S *	2/1994	Torchia	D6/596
5,304,082	A	4/1994	Wolfe		
D349,145	S *	7/1994	Haughey	D21/809
D349,744	S	8/1994	Wolfe		
D350,586	S	9/1994	Francis		
D351,009	S	9/1994	Wolfe		
5,358,438	A	10/1994	Wolfe		
D393,683	S	4/1998	Song et al.		
D407,778	S	4/1999	Peterson		
D407,783	S	4/1999	Peterson		

D428,466	S *	7/2000	Langley, III	D21/808
6,126,504	A	10/2000	Day		
D435,505	S	12/2000	Peterson		
D435,506	S	12/2000	Peterson		
D435,507	S	12/2000	Peterson		
D435,508	S	12/2000	Peterson		
D446,568	S *	8/2001	Peterson	D21/803
D451,567	S *	12/2001	Gordon	D21/801

(Continued)

OTHER PUBLICATIONS

Shanghai Jiazuo Plastic Co., Ltd., www.toy1166.com (adult mattress).

Shanghai Jiazuo Plastic Co., Ltd., www.toy1166.com (swim rings and baby care seat).

Primary Examiner—Janice E. Seeger

Assistant Examiner—Zenia I Bennett

(74) *Attorney, Agent, or Firm*—Doerner, Saunders, Daniel & Anderson L.L.P.; Alicia J. Edwards

(57) **CLAIM**

The ornamental design for an inflatable pool float, as shown and described.

DESCRIPTION

FIG. 1 is a top perspective view of an inflatable pool float showing the applicant's new design;

FIG. 2 is a right side elevational view thereof;

FIG. 3 is a left side elevational view thereof;

FIG. 4 is a top plan view thereof;

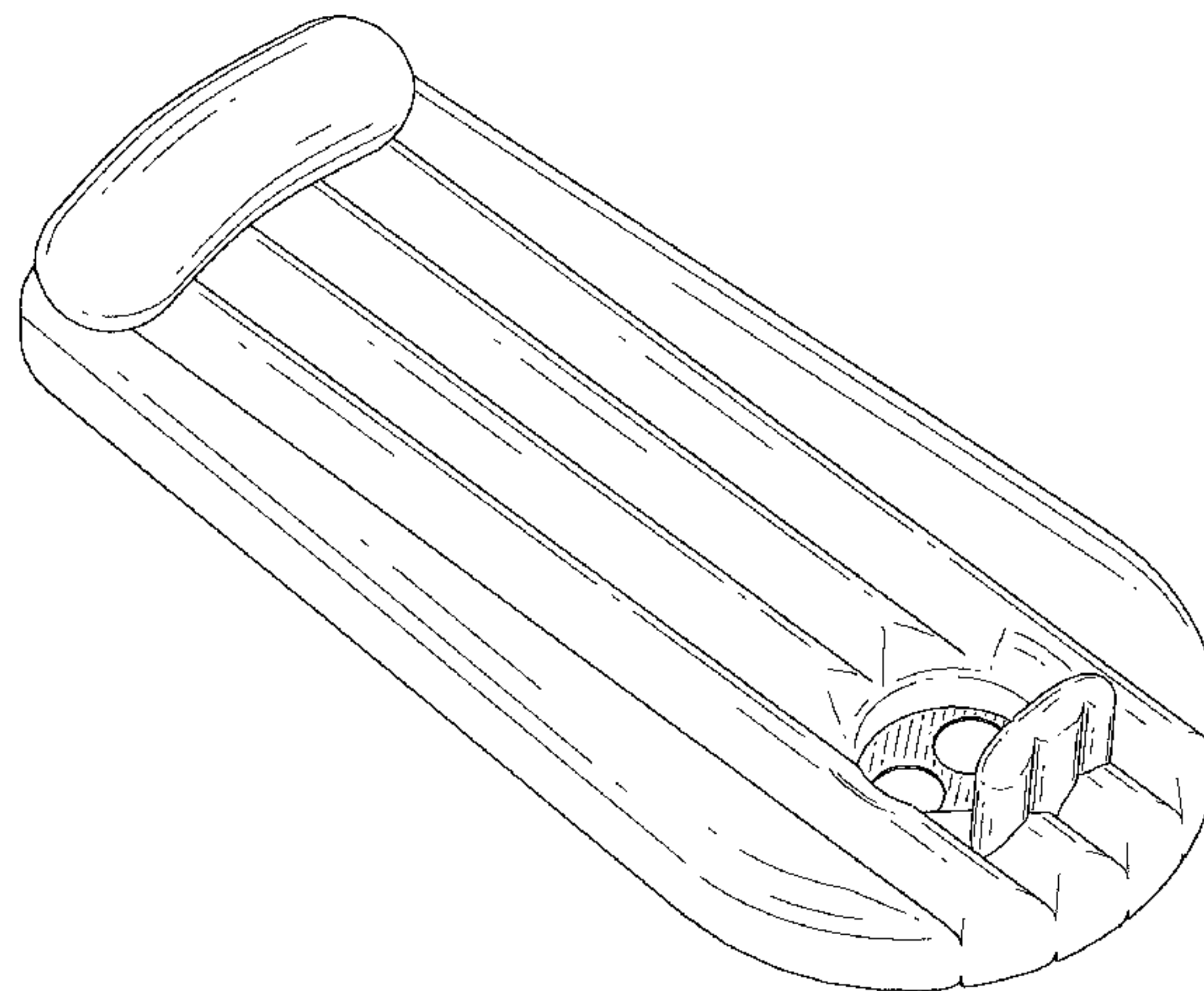
FIG. 5 is a bottom plan view thereof;

FIG. 6 is a rear elevational view thereof;

FIG. 7 is a front elevational view thereof; and,

FIG. 8 is a right side elevational view. The broken lines are shown for illustrative purposes only and form no part of the claimed design.

1 Claim, 3 Drawing Sheets



US D571,429 S

Page 2

U.S. PATENT DOCUMENTS

D457,214 S	5/2002	Hunter	D482,096 S	11/2003	Peterson	
D464,390 S	10/2002	Hunter	D489,113 S	4/2004	Peterson	
D469,494 S	1/2003	Arias	D489,114 S	4/2004	Peterson	
D469,837 S	2/2003	Arias	D504,045 S *	4/2005	Rediske D6/601
D469,838 S	2/2003	Arias	D510,971 S	10/2005	Hunter	
D471,614 S	3/2003	Arias	D548,479 S	8/2007	Clark	
D481,438 S	10/2003	Peterson				

* cited by examiner

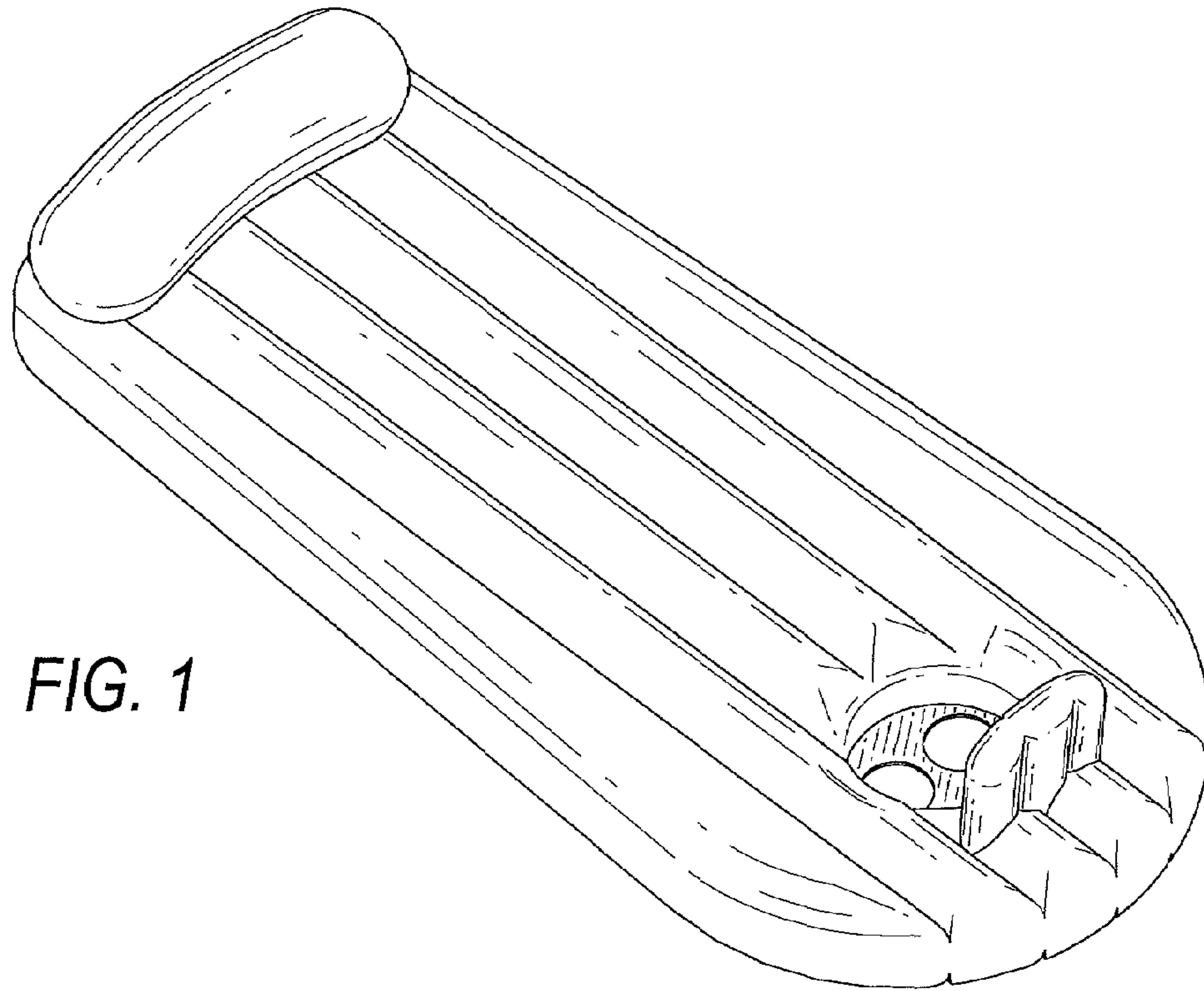


FIG. 1

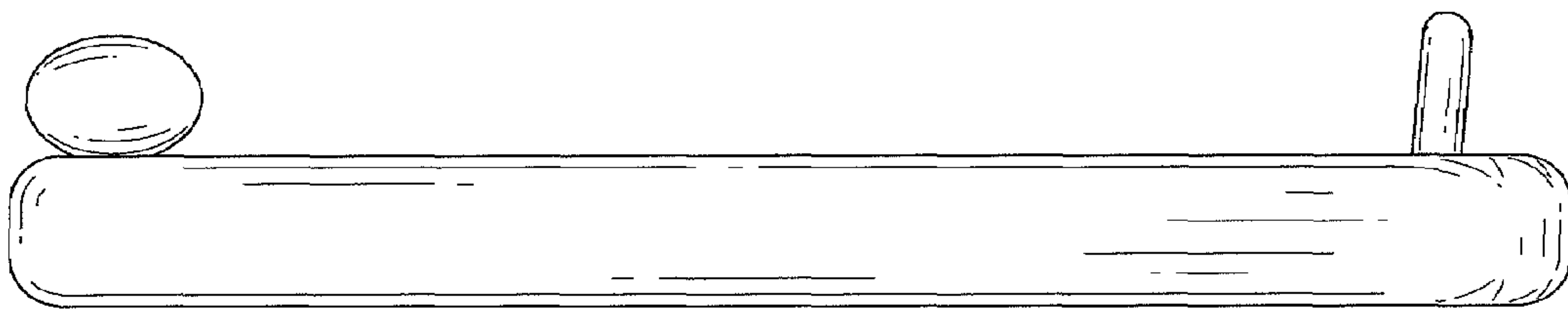


FIG. 2



FIG. 3

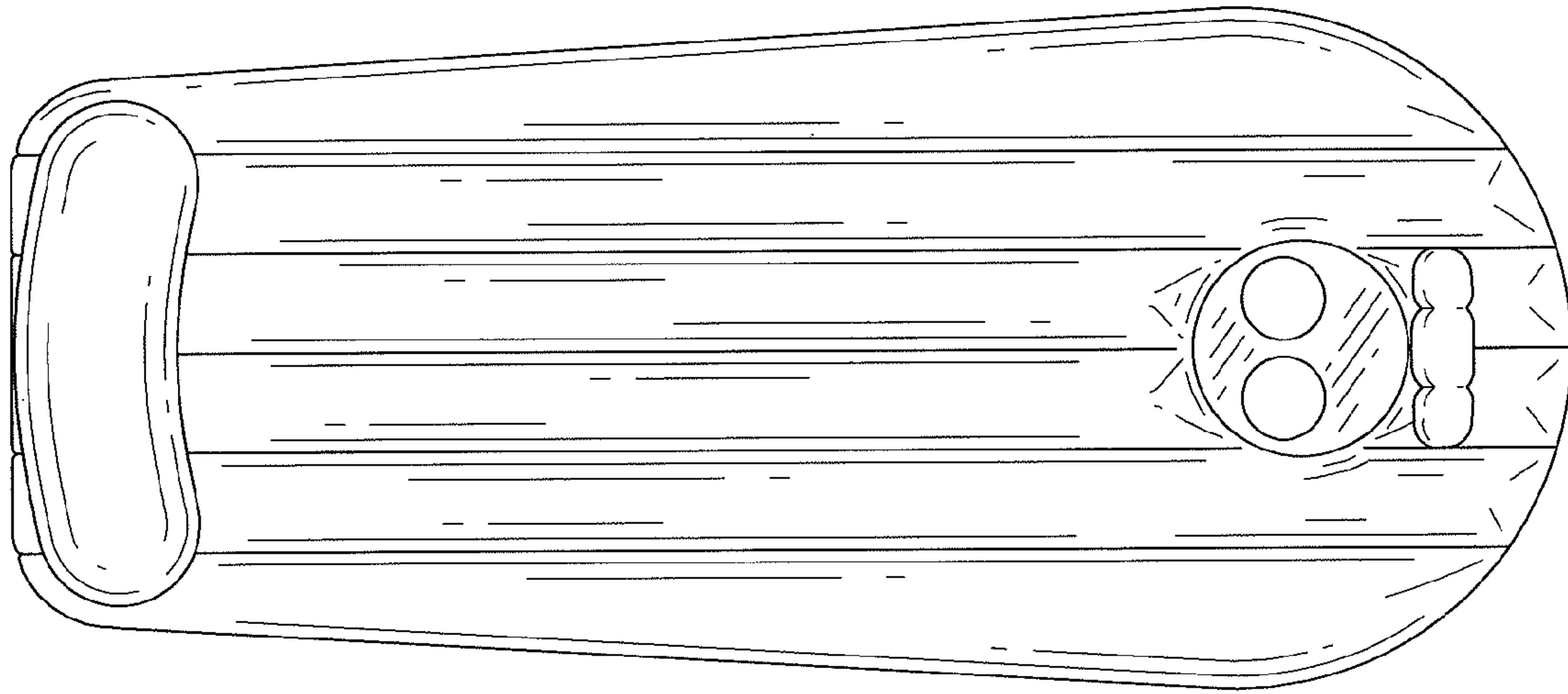


FIG. 4

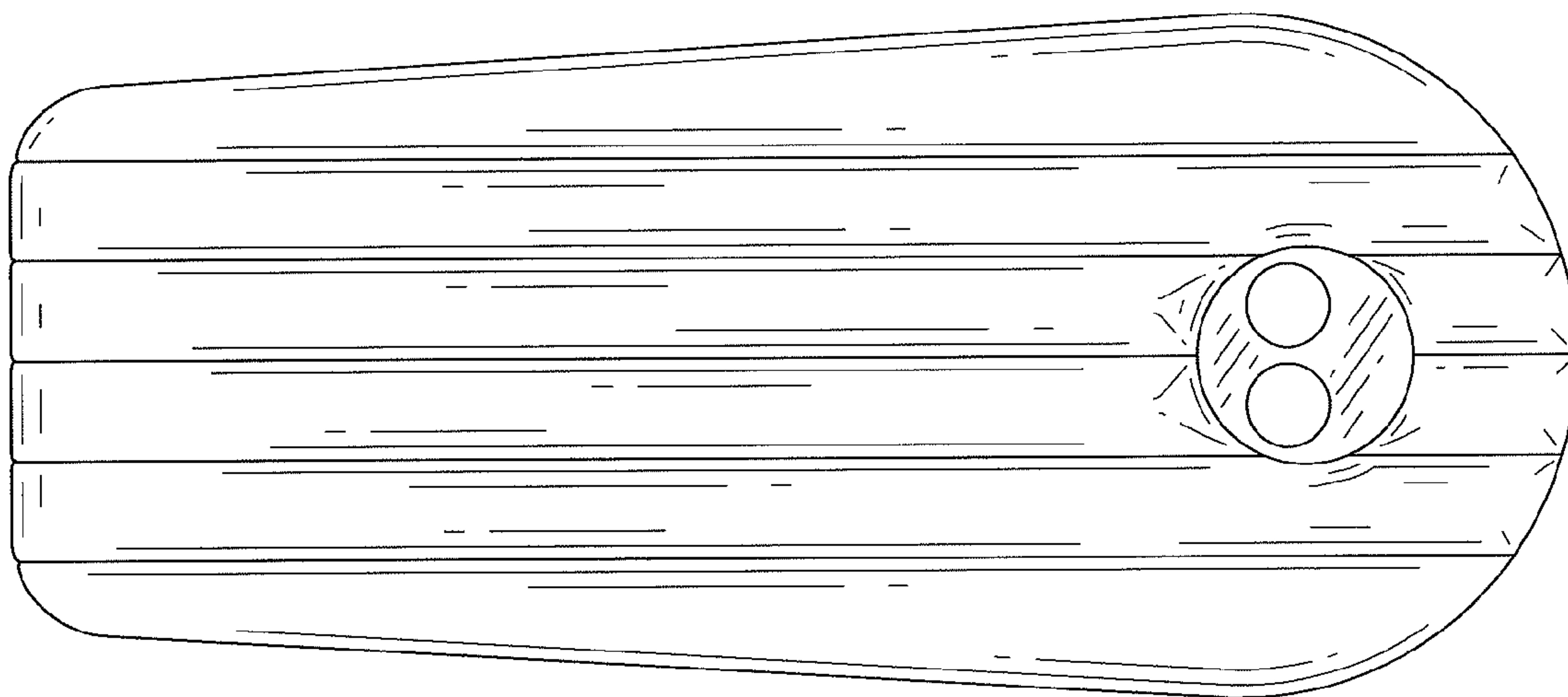


FIG. 5

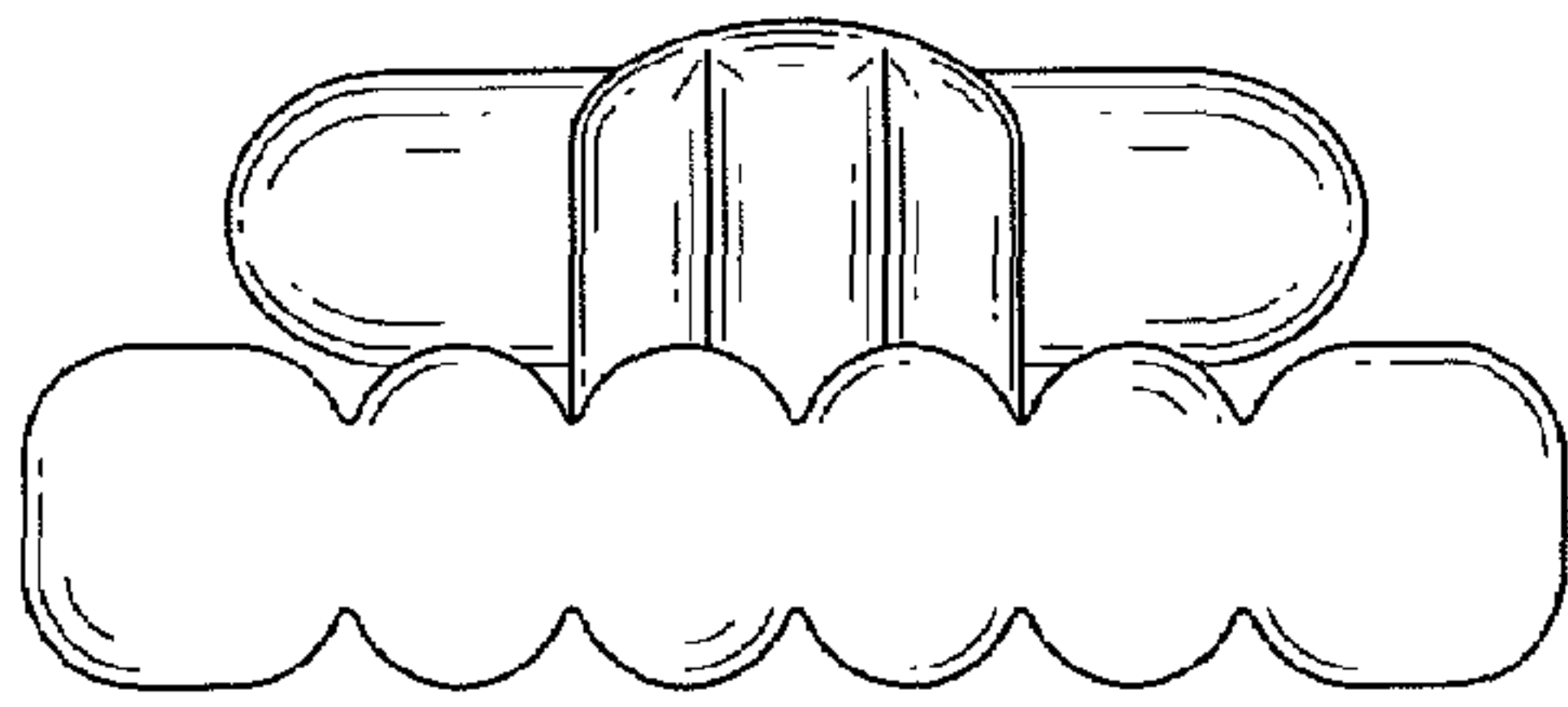


FIG. 6

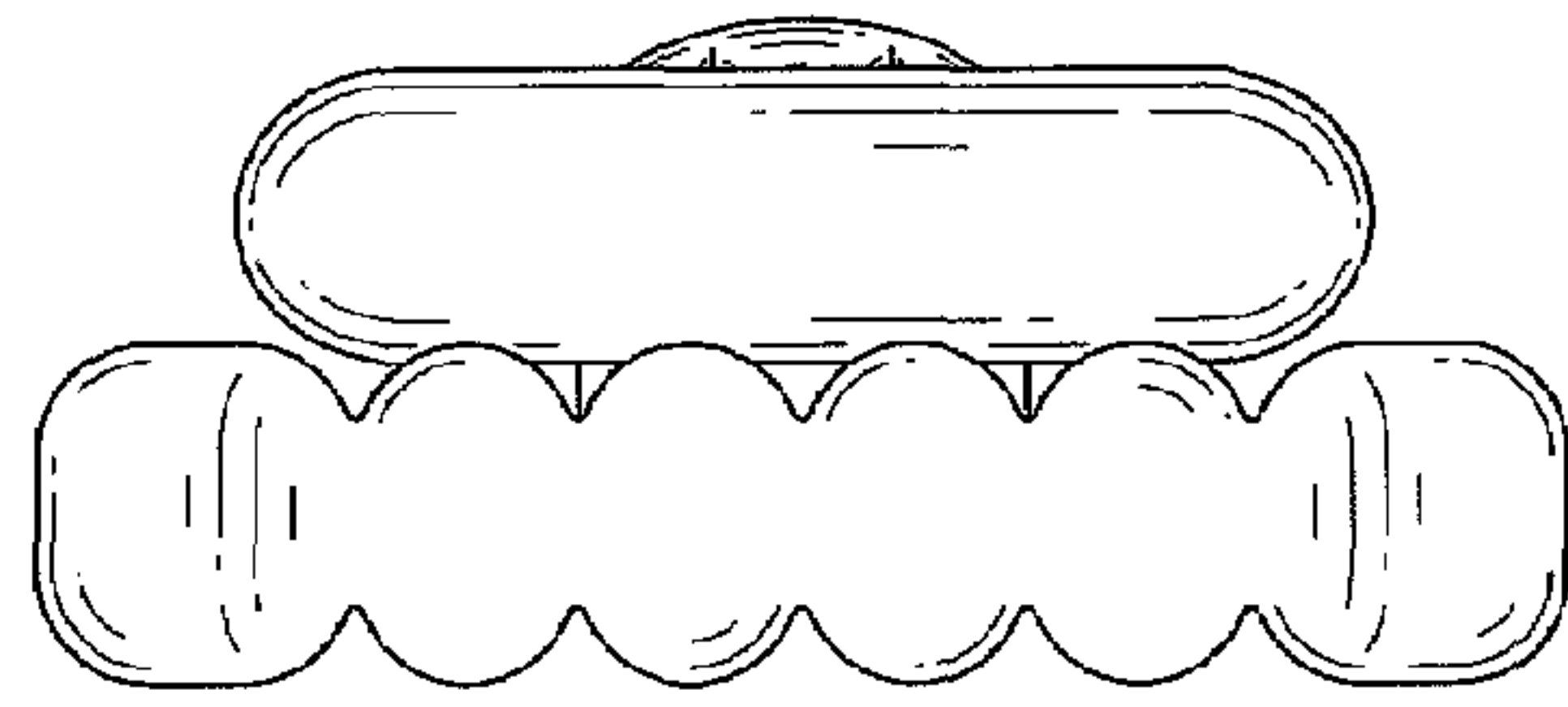


FIG. 7

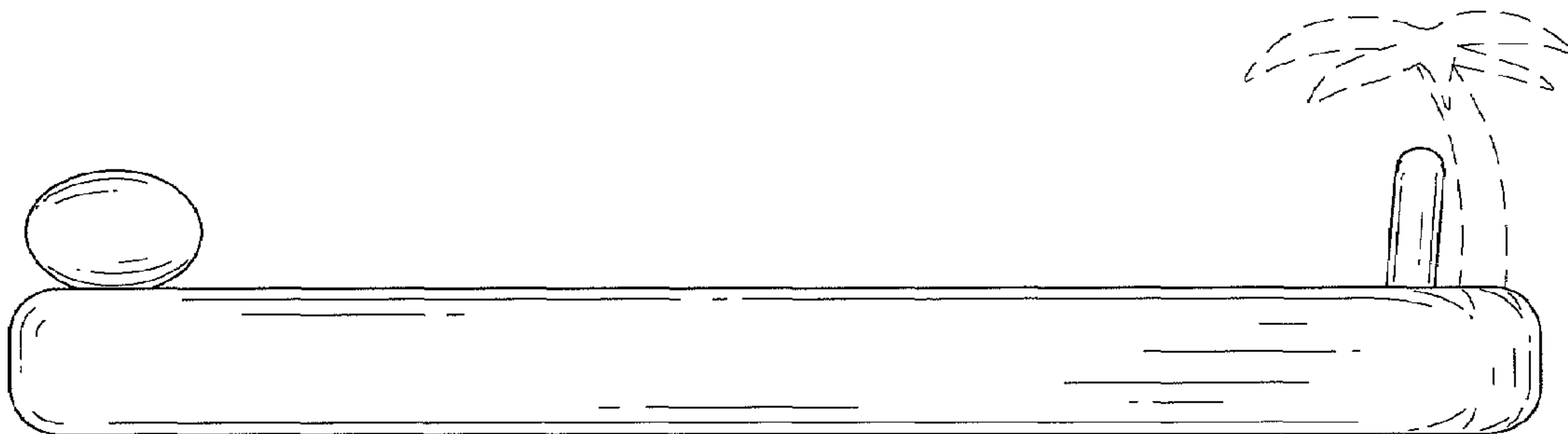


FIG. 8