



US00D571428S

(12) **United States Design Patent**
Williams

(10) **Patent No.:** **US D571,428 S**
(45) **Date of Patent:** **** Jun. 17, 2008**

(54) **GOLF DIVOT TOOL WITH REMOVABLE BALL MARKER**

Primary Examiner—Mitchell I Siegel
(74) *Attorney, Agent, or Firm*—James K. Poole, Esq.

(76) Inventor: **Robert D. Williams**, 7530 S. Mt. Owen,
Littleton, CO (US) 80127

(57) **CLAIM**

The ornamental design for a golf divot tool with removable ball marker, as shown and described.

(**) Term: **14 Years**

(21) Appl. No.: **29/286,345**

DESCRIPTION

(22) Filed: **May 2, 2007**

(51) **LOC (8) Cl.** **21-02**

(52) **U.S. Cl.** **D21/793**

(58) **Field of Classification Search** D21/789,
D21/793-794; 473/286, 406, 408
See application file for complete search history.

FIG. 1 is a bottom perspective view of an embodiment of my design for a golf divot tool with removable ball marker including a socket for insertion of a ball marker at the head thereof;

FIG. 2 is a top perspective view of the divot tool of FIG. 1;

FIG. 3 is a bottom plan view of the divot tool of FIG. 1;

FIG. 4 is a side view of the divot tool of FIG. 3, the other side being a mirror image of this view;

FIG. 5 is a side view of the divot tool of FIG. 1 with the top side upward;

FIG. 6 is a top plan view of the divot tool of FIG. 1;

FIG. 7 is an end elevation view of the tail end of the divot tool of FIG. 1;

FIG. 8 is an end elevation view of the head end of the divot tool of FIG. 1;

FIG. 9 is an overhead perspective view of a ball marker with prong designed to fit into the socket at the head of the divot tool of FIG. 1; and,

FIG. 10 is a partial overhead perspective view of the divot tool of FIG. 1 with the ball marker of FIG. 9 inserted into the socket at the head thereof.

(56) **References Cited**

U.S. PATENT DOCUMENTS

| | | | | | |
|-----------|-----|---------|----------------|-------|---------|
| 3,120,388 | A * | 2/1964 | Doble | | 473/406 |
| 3,977,674 | A | 8/1976 | Zedler | | |
| 4,984,790 | A | 1/1991 | Dowdy et al. | | |
| 5,211,395 | A | 5/1993 | Liao | | |
| D356,358 | S * | 3/1995 | Woodruff | | D21/793 |
| 5,529,299 | A | 6/1996 | Bellagamba | | |
| D383,825 | S * | 9/1997 | Rhodes | | D21/793 |
| D390,904 | S | 2/1998 | Newbold et al. | | |
| D406,297 | S * | 3/1999 | Fazekas | | D21/793 |
| D419,631 | S * | 1/2000 | Fazekas | | D21/793 |
| D431,625 | S | 10/2000 | Gribovsky | | |
| D442,249 | S * | 5/2001 | Fazekas | | D21/793 |
| 6,290,617 | B1 | 9/2001 | Cole et al. | | |
| 6,428,430 | B1 | 8/2002 | Chong | | |
| 6,645,092 | B1 | 11/2003 | Hendren | | |

* cited by examiner

1 Claim, 5 Drawing Sheets

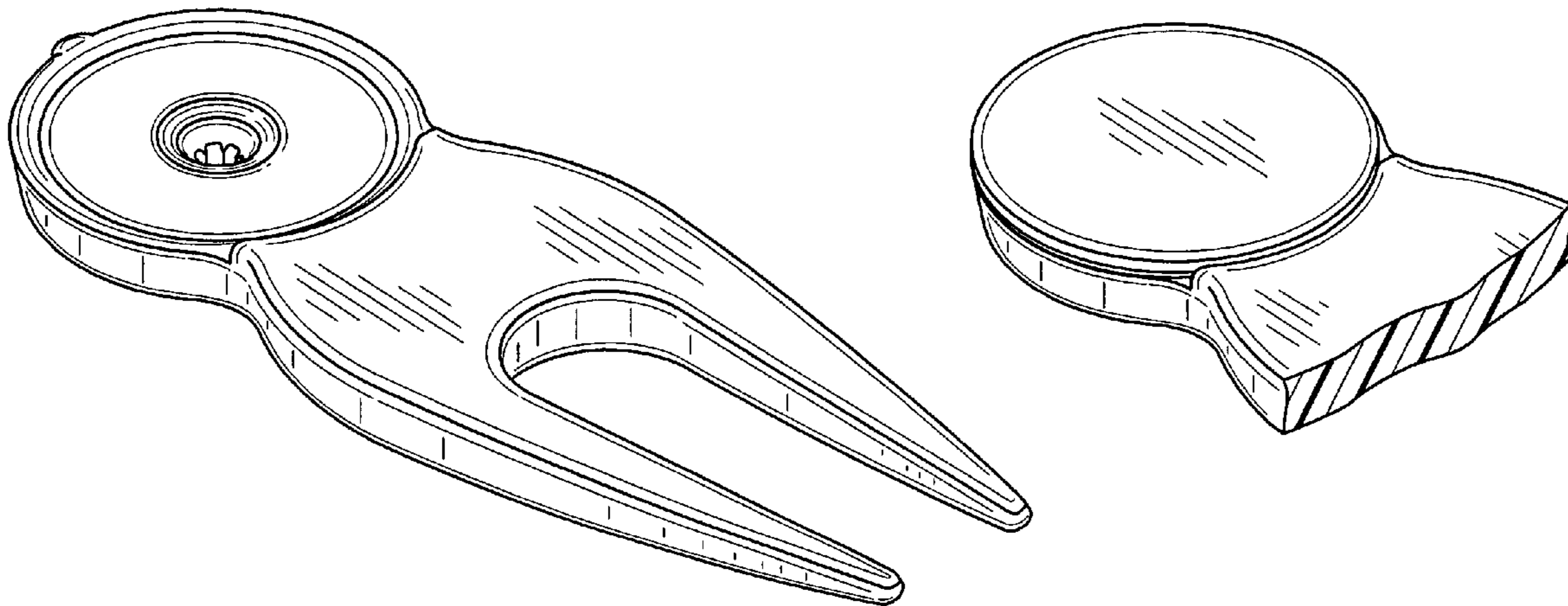


FIG. 1

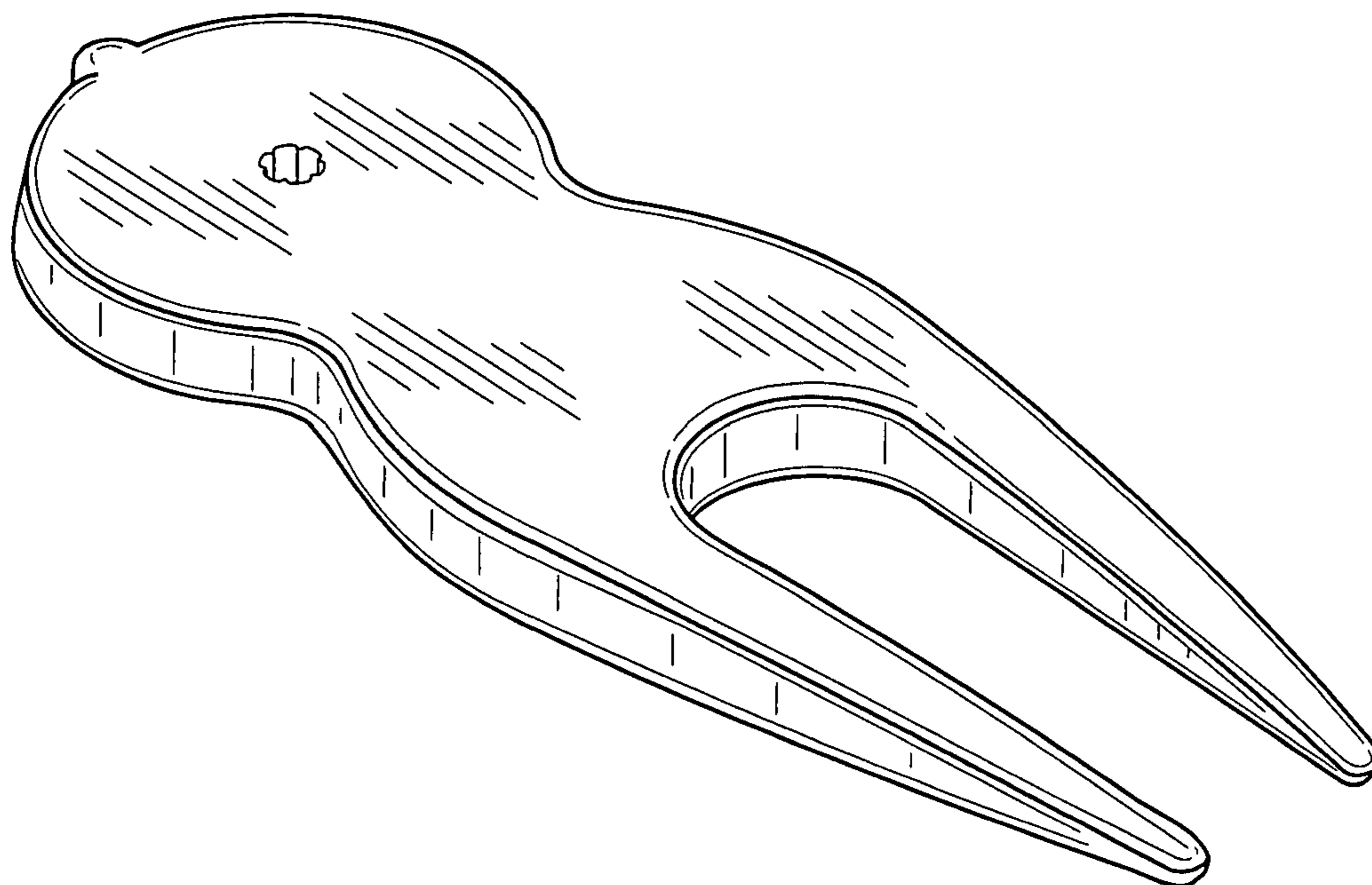


FIG. 2

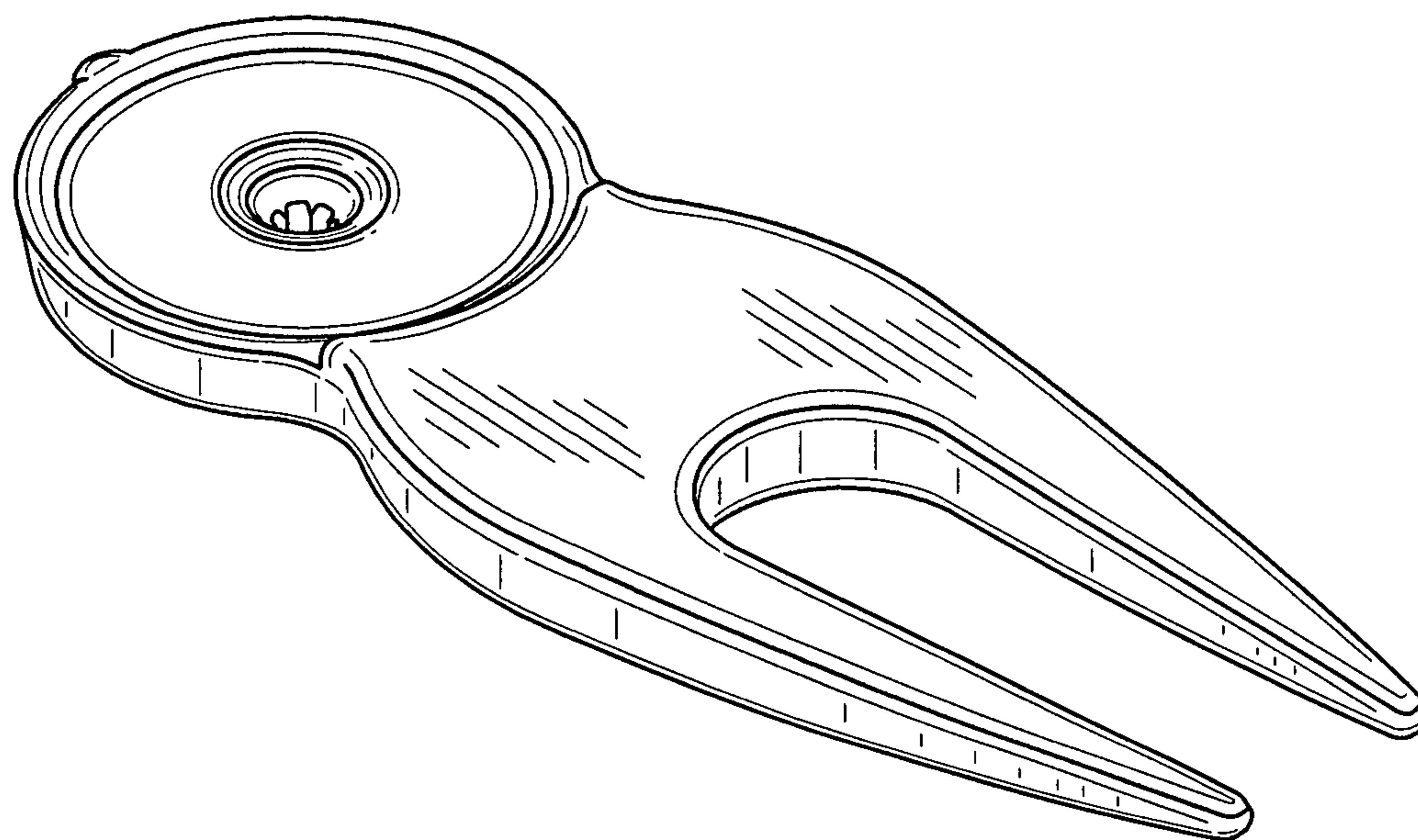


FIG. 3

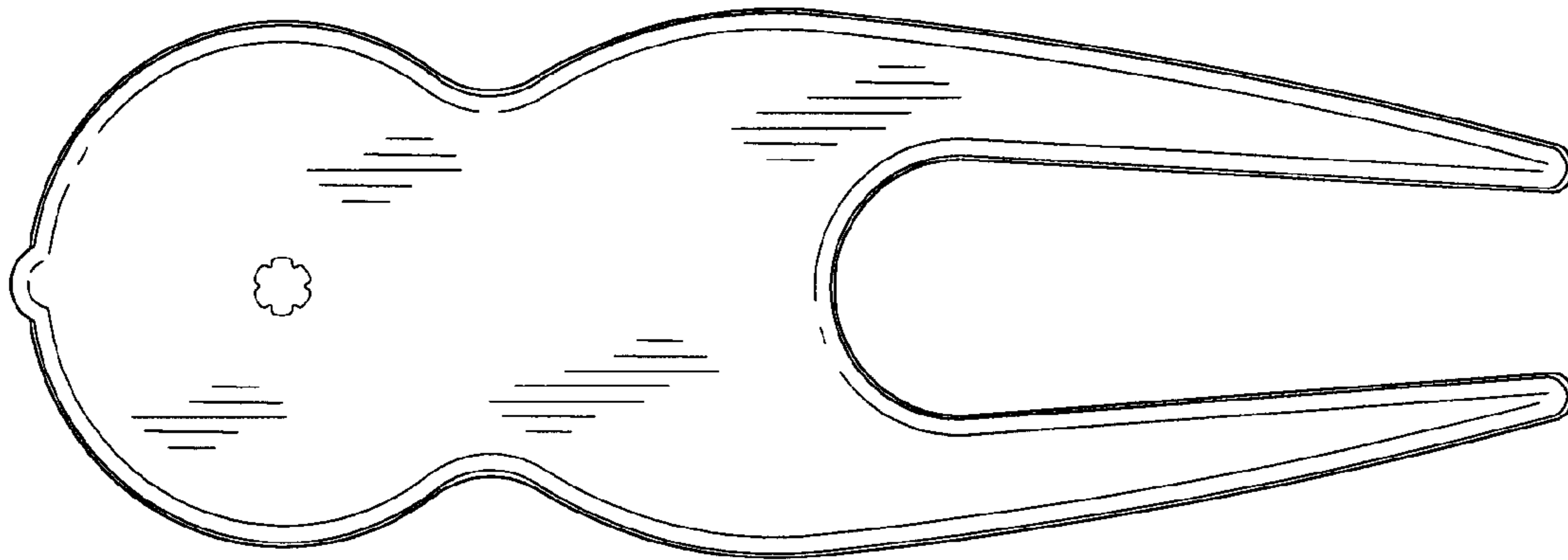


FIG. 4

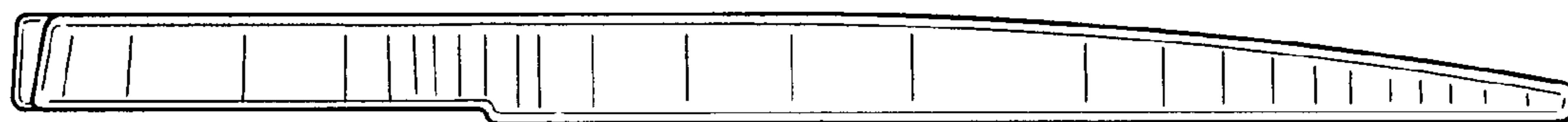


FIG. 5

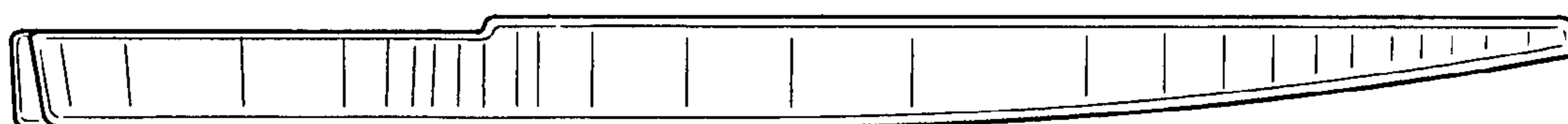


FIG. 6

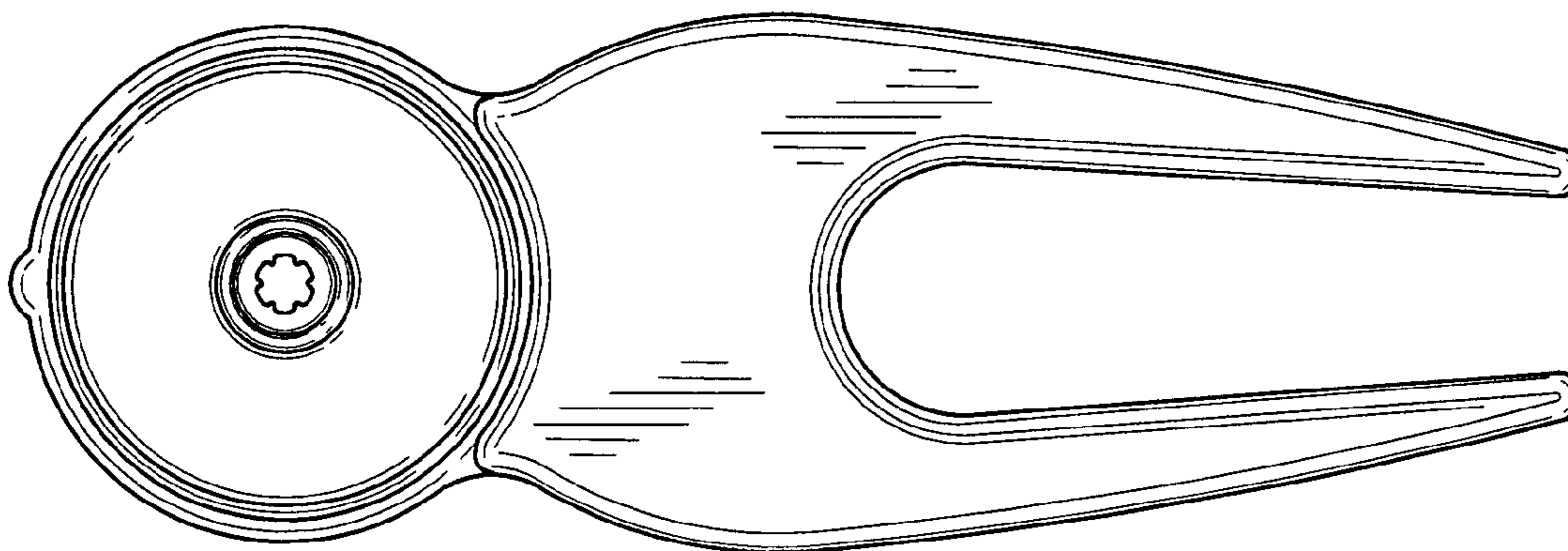


FIG. 7

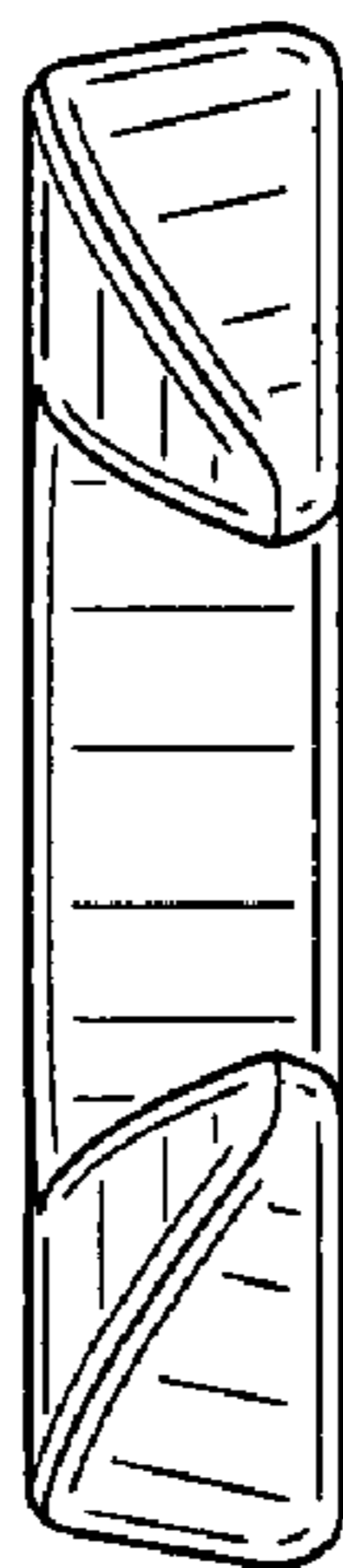


FIG. 8



FIG. 9

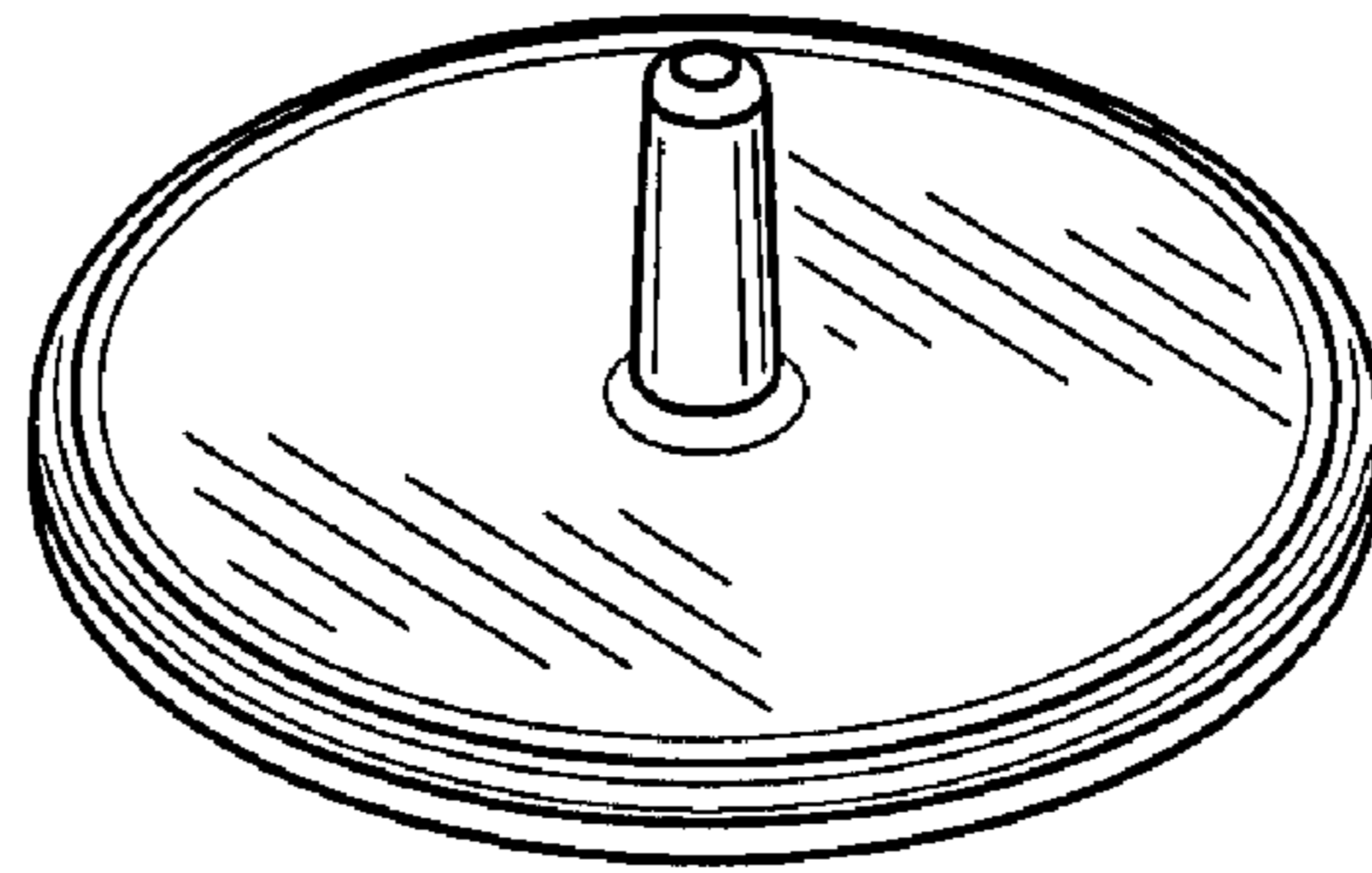


FIG. 10

