



US00D571417S

(12) **United States Design Patent**
Su

(10) **Patent No.:** **US D571,417 S**
(45) **Date of Patent:** **** Jun. 17, 2008**

(54) **EXERCISE BIKE**

(75) Inventor: **Brian Su**, Tainan (TW)

(73) Assignee: **EZFIT Technology, Inc.**, Tainan (TW)

(**) Term: **14 Years**

(21) Appl. No.: **29/287,773**

(22) Filed: **Sep. 18, 2007**

(51) **LOC (8) Cl.** **21-02**

(52) **U.S. Cl.** **D21/667**

(58) **Field of Classification Search** D21/662,
D21/663, 664, 665, 666, 667, 668, 670, 697;
482/52, 57, 63, 64, 65

See application file for complete search history.

(56) **References Cited**

U.S. PATENT DOCUMENTS

D372,284 S *	7/1996	Wang et al.	D21/667
D380,796 S *	7/1997	Wang et al.	D21/667
D382,924 S *	8/1997	Wu	D21/667
D382,925 S *	8/1997	Wu	D21/667
D460,794 S *	7/2002	Baker	D21/667
D473,602 S *	4/2003	Baudhuin et al.	D21/697
6,612,970 B2 *	9/2003	Forcillo	482/57
6,669,603 B1 *	12/2003	Forcillo	482/57
D532,063 S *	11/2006	Kim et al.	D21/697
7,175,570 B2 *	2/2007	Lull et al.	482/57

* cited by examiner

Primary Examiner—Philip S Hyder

(74) *Attorney, Agent, or Firm*—Bacon & Thomas, PLLC

(57) **CLAIM**

The ornamental design for an exercise bike, as shown and described.

DESCRIPTION

FIG. 1 is a perspective view of an exercise bike showing my new design;

FIG. 2 is a front elevational view thereof;

FIG. 3 is a rear elevational view thereof;

FIG. 4 is a left side elevational view thereof;

FIG. 5 is a right side elevational view thereof;

FIG. 6 is a top plan view thereof;

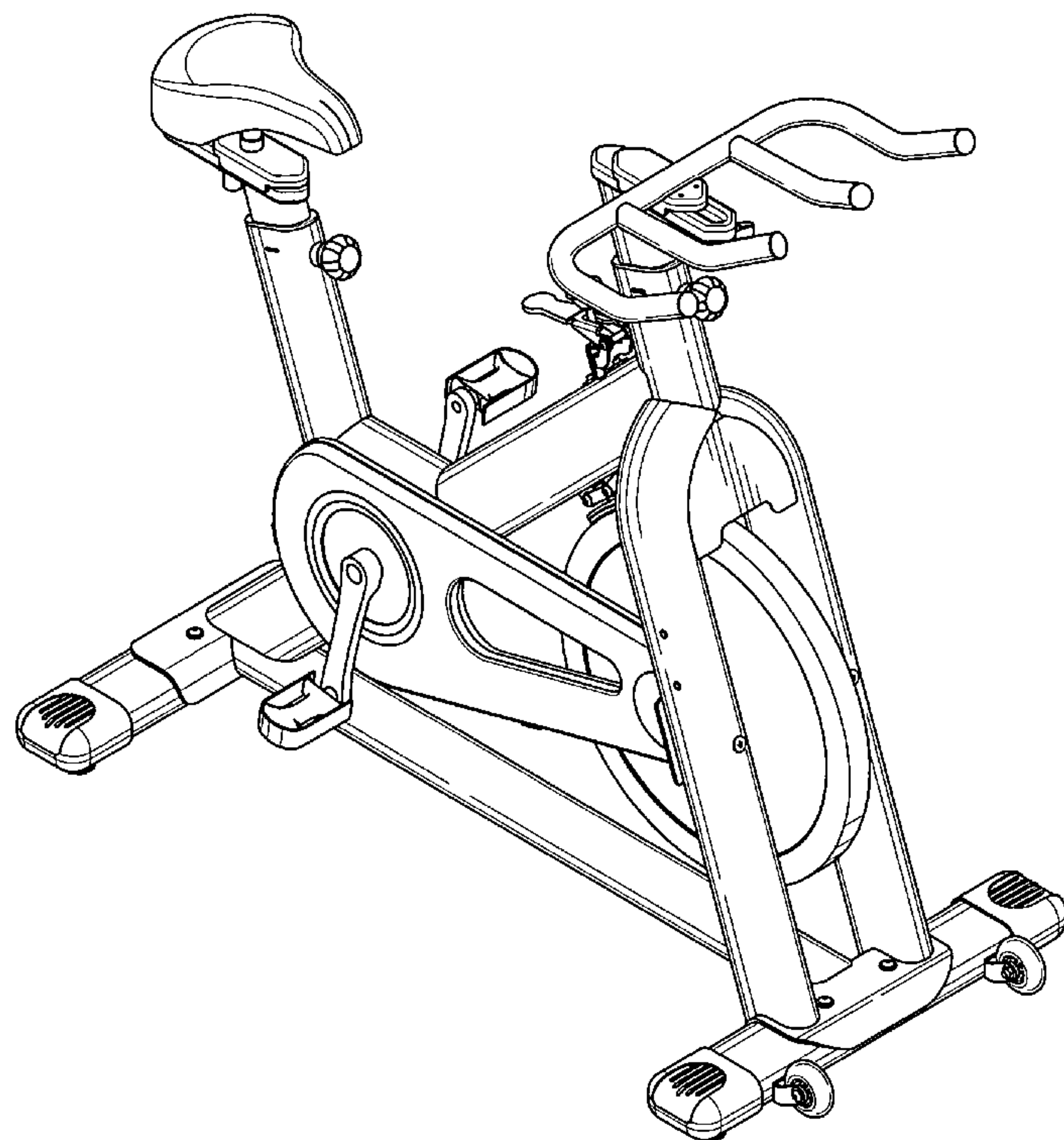
FIG. 7 is a bottom plan view thereof;

FIG. 8 is a perspective view of an exercise bike having a wheel guard positioned between a fork and an inclined top tube of the frame body; and,

FIG. 9 is a left side elevational view of an exercise bike having a wheel guard positioned between a fork and an inclined top tube of the frame body.

The broken line showing of the wheel guard and the computer in FIGS. 8 and 9 is included for the purpose of illustrating environmental structure and forms no part of the claimed design.

1 Claim, 7 Drawing Sheets



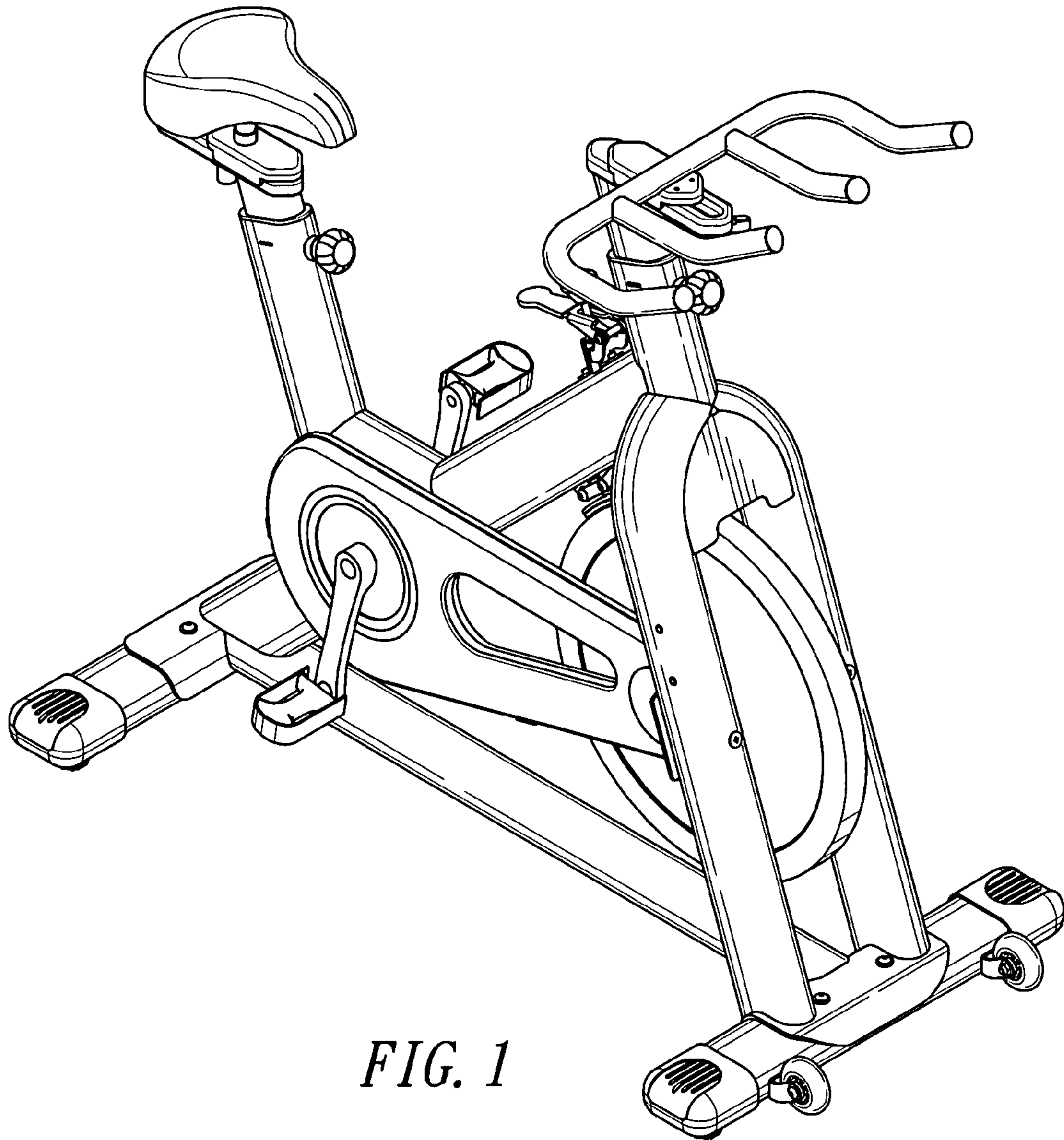


FIG. 1

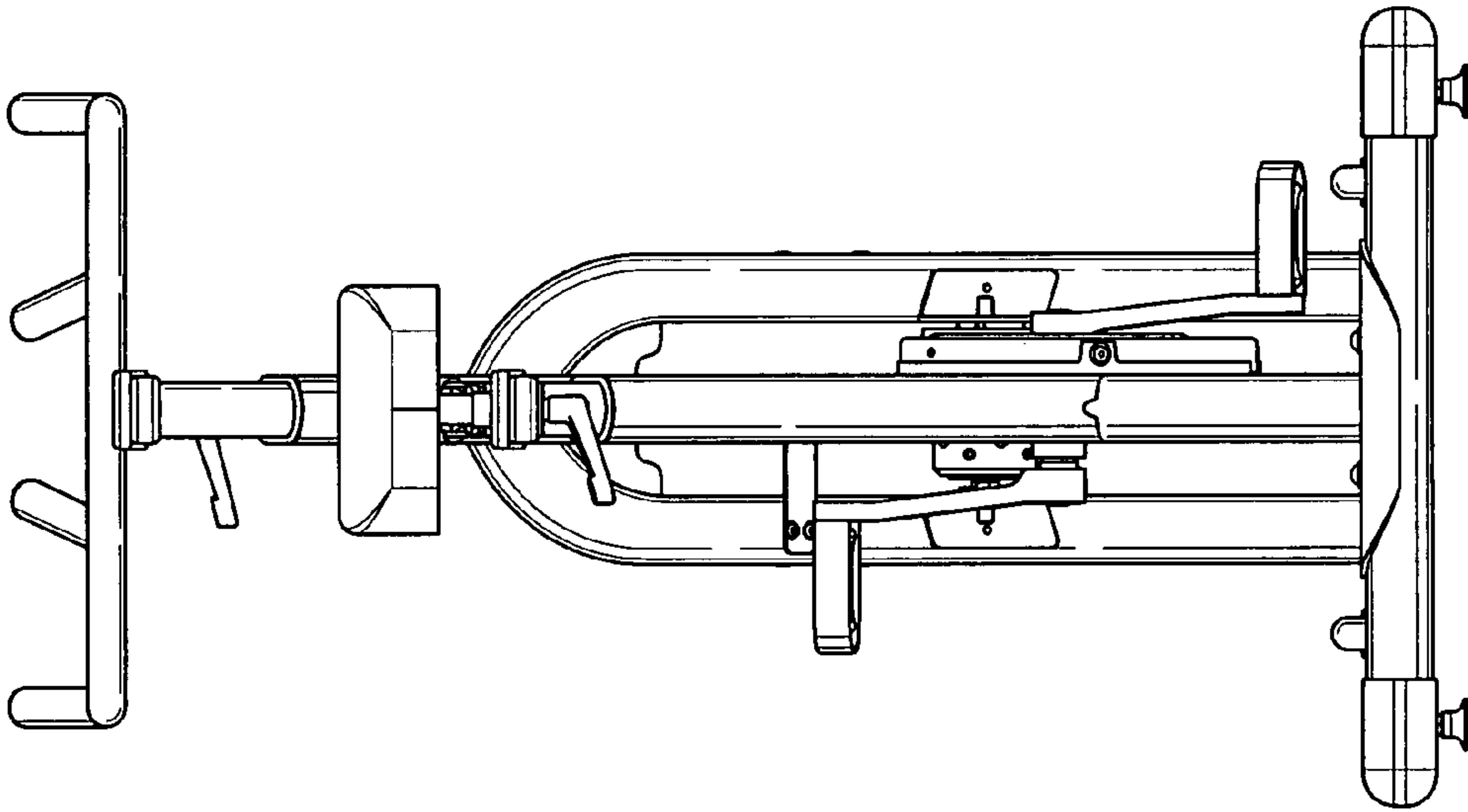


FIG. 3

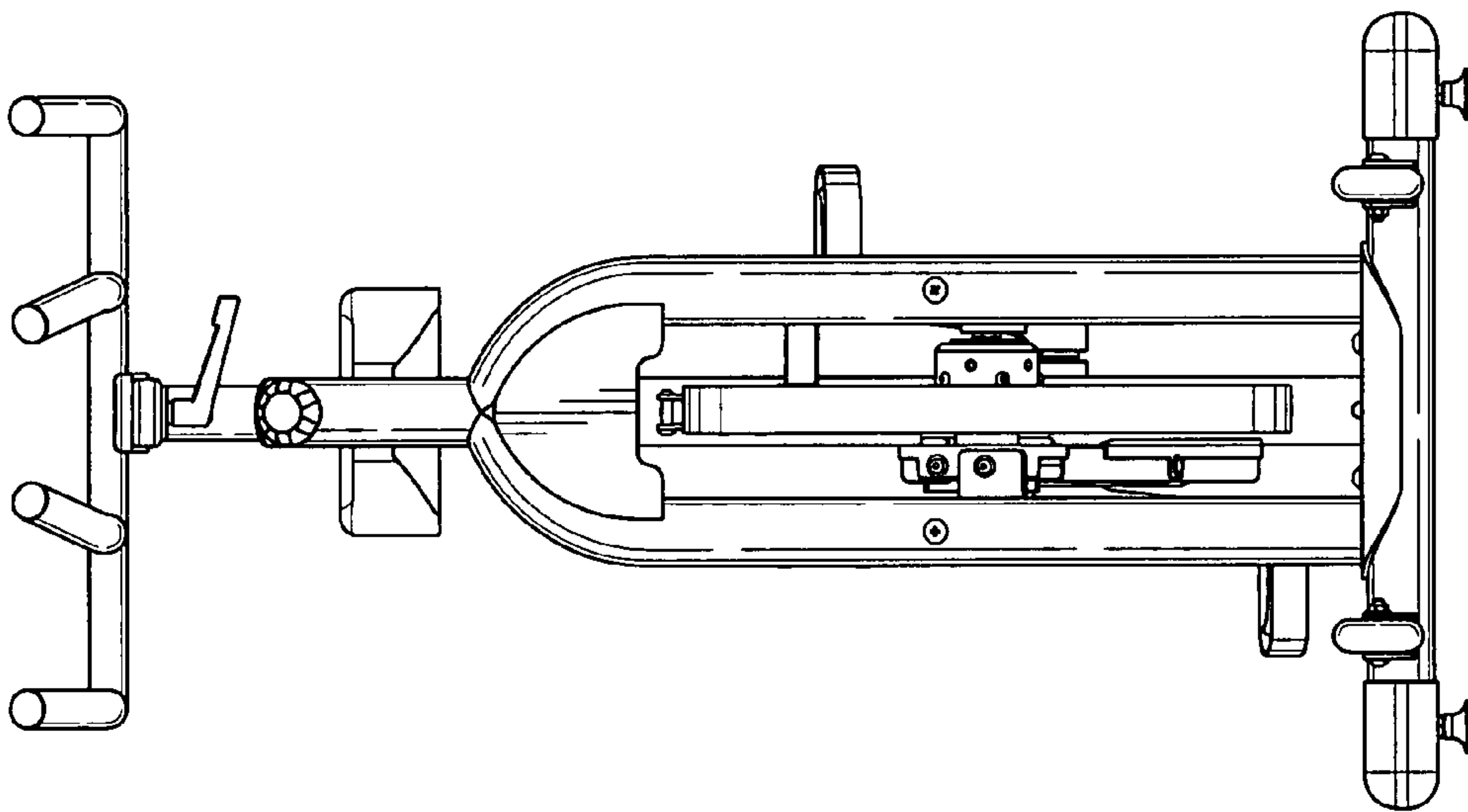


FIG. 2

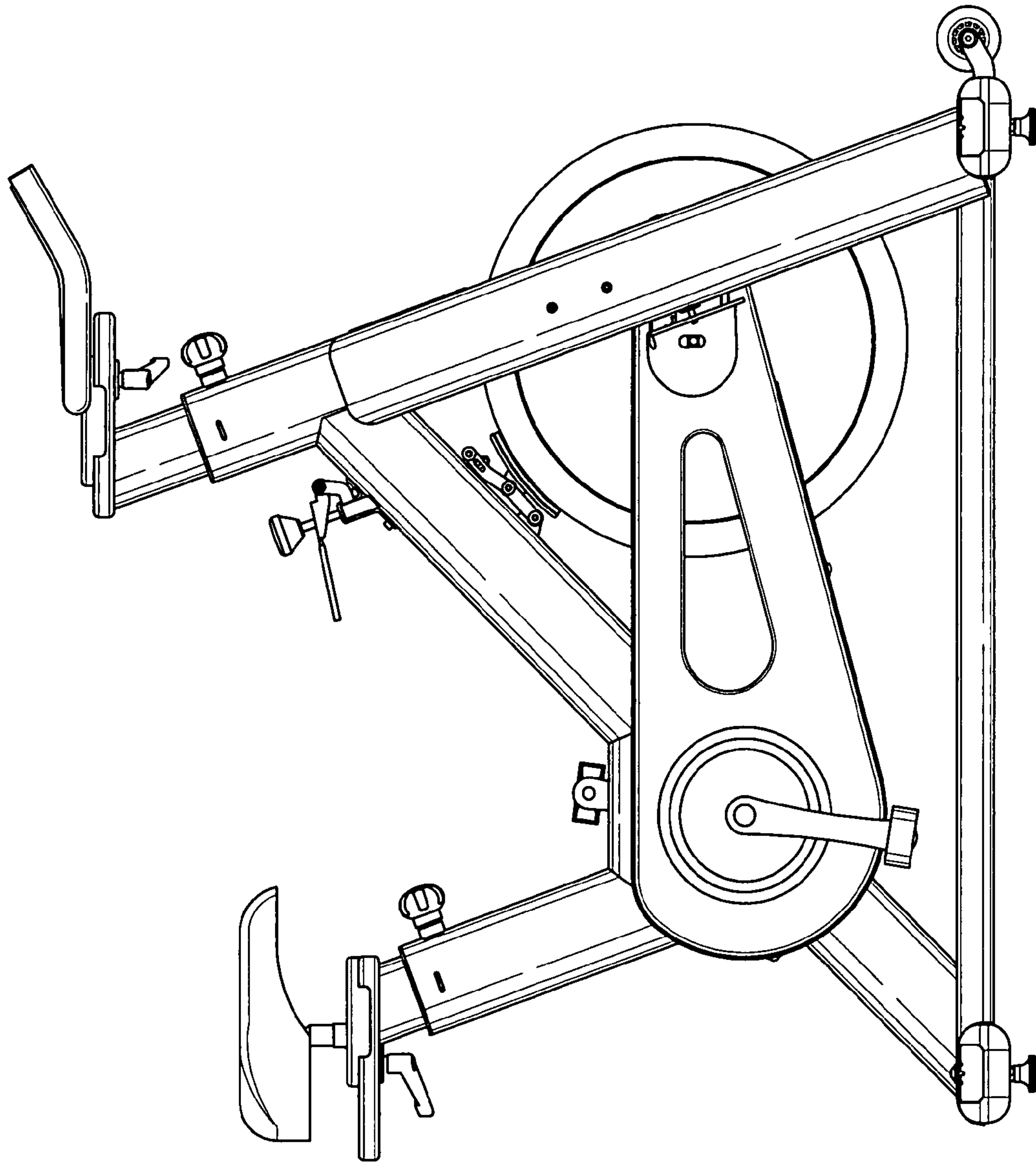


FIG. 4

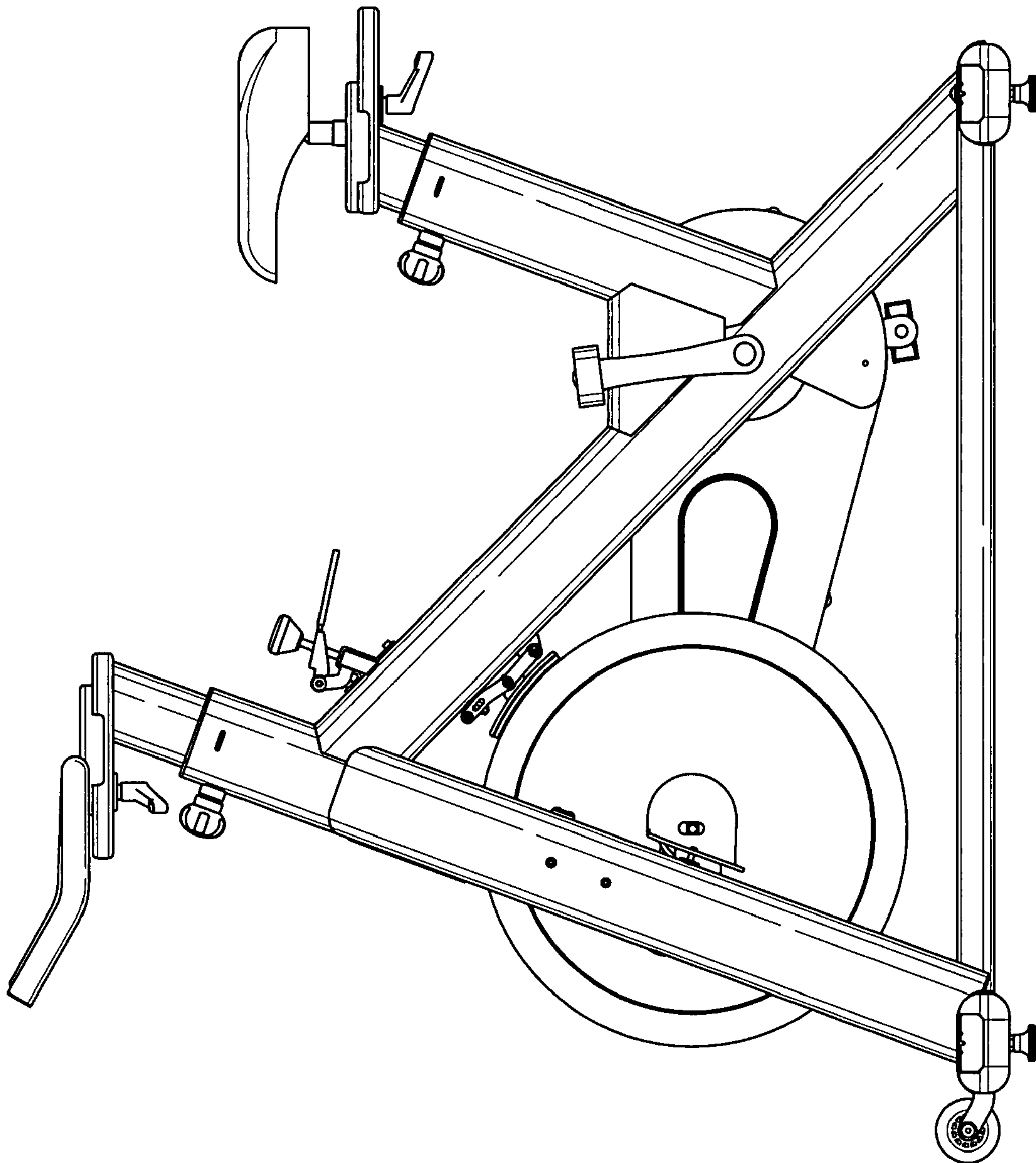


FIG. 5

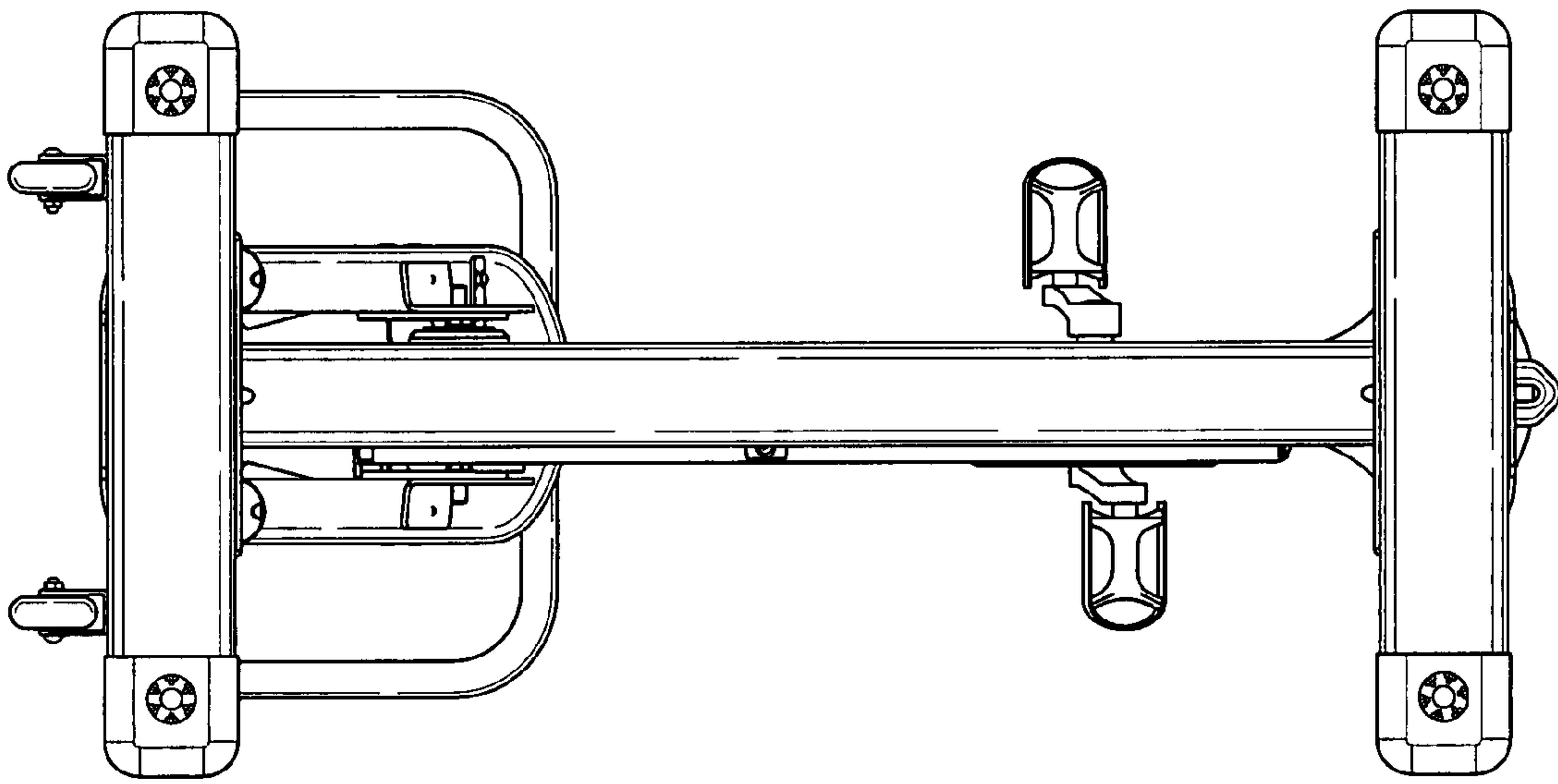


FIG. 7

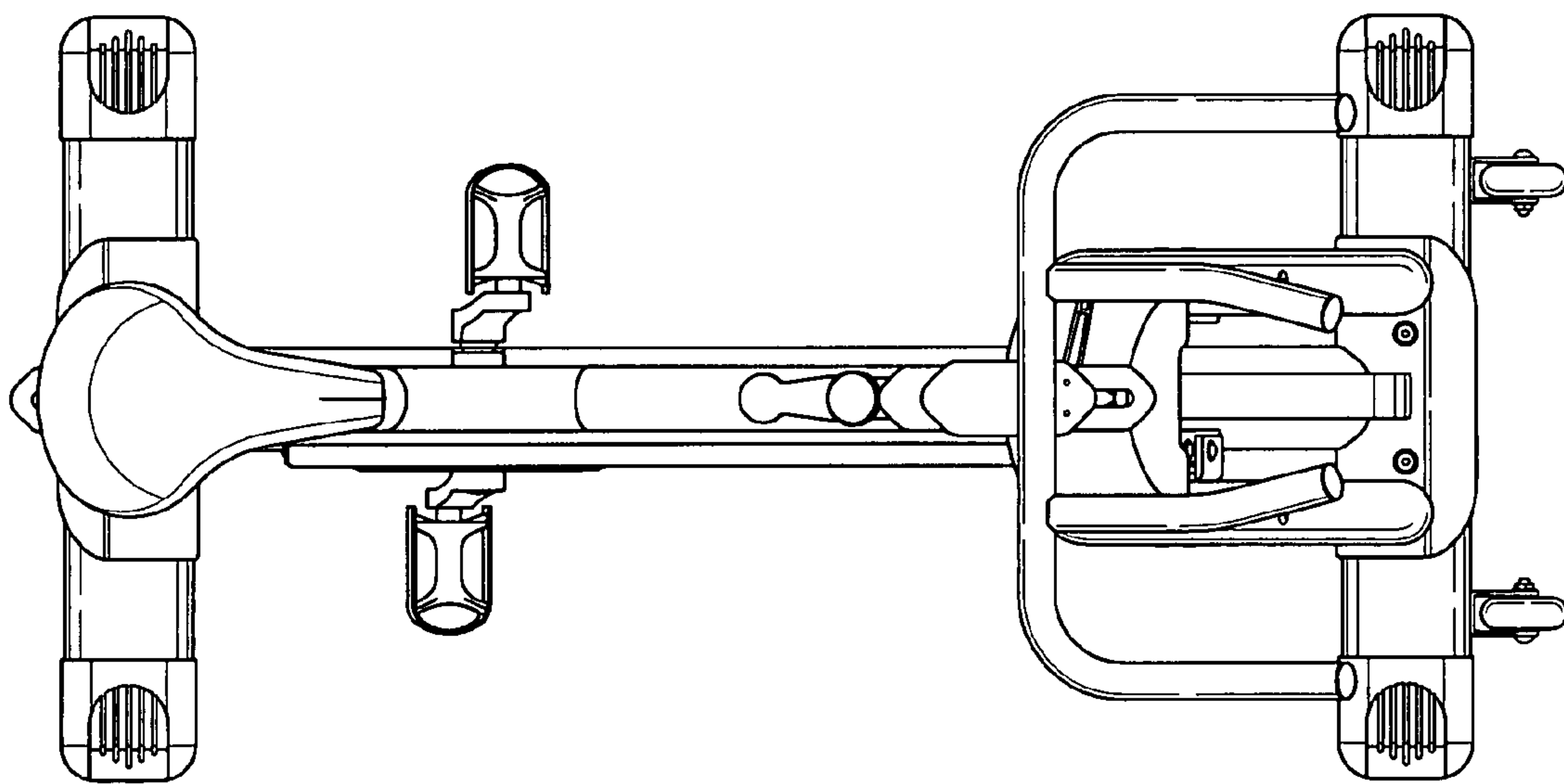


FIG. 6

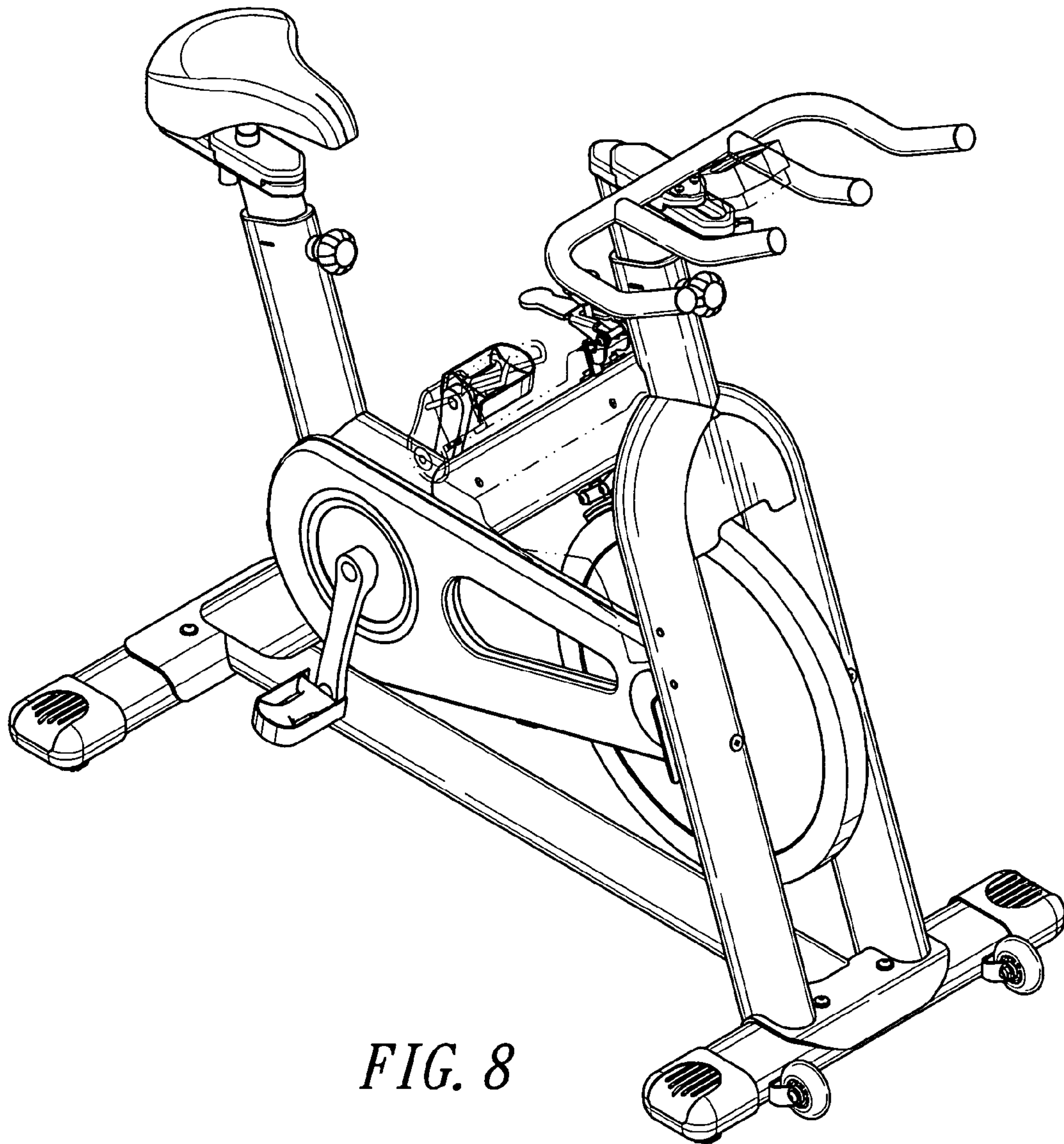


FIG. 8

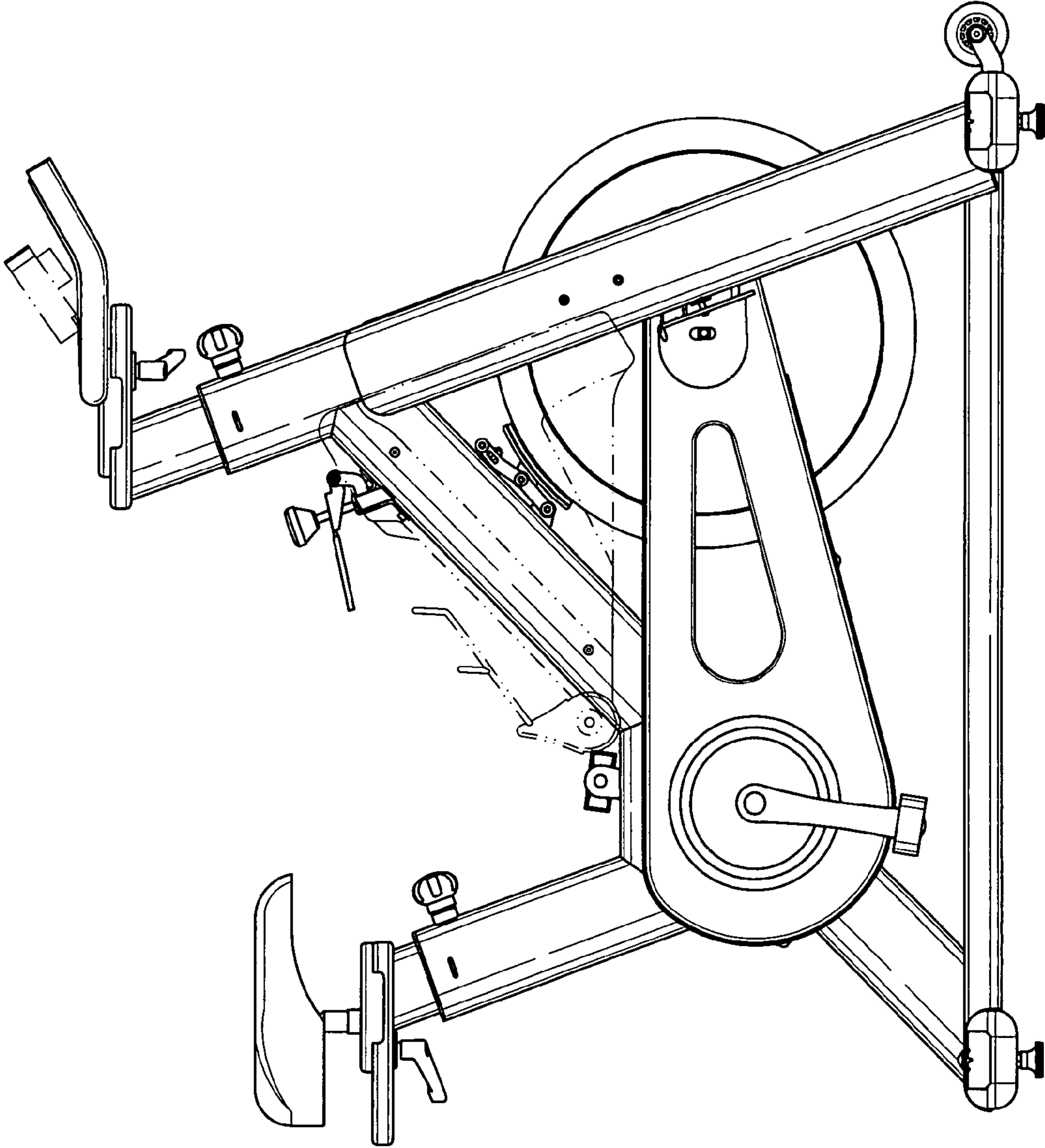


FIG. 9