



US00D571414S

(12) **United States Design Patent**  
**Garcia et al.**

(10) **Patent No.:** **US D571,414 S**  
(45) **Date of Patent:** **\*\* Jun. 17, 2008**

(54) **EXPANDING TEXTURED NECK PAINTBALL TUBE**

6,729,497 B2 \* 5/2004 Rice et al. .... 220/835  
7,100,810 B1 \* 9/2006 Bosch et al. .... 224/682  
2003/0121927 A1 \* 7/2003 Rice et al. .... 220/833  
2003/0222095 A1 \* 12/2003 Santangini et al. .... 221/174

(76) Inventors: **Alfonso Celaya Garcia**, 4712 Regatta La., San Diego, CA (US) 92154; **Nathan Greenman**, 124 Kintyre Cir., Bella Vista, AR (US) 72715; **Rick Dochterman**, #1 Witney La., Bella Vista, AR (US) 72714; **Angelia Smith**, 808 N. 10th St., Rogers, AR (US) 72756

\* cited by examiner

*Primary Examiner*—Holly H. Baynham  
*Assistant Examiner*—Cynthia M. Chin  
(74) *Attorney, Agent, or Firm*—Keisling Pieper & Scott PLC; David B. Pieper; Trent C. Keisling

(\*\*) Term: **14 Years**

(57) **CLAIM**

(21) Appl. No.: **29/272,170**

The ornamental design for an expanding textured neck paintball tube, as shown and described.

(22) Filed: **Feb. 1, 2007**

**DESCRIPTION**

(51) **LOC (8) Cl.** ..... **21-01**  
(52) **U.S. Cl.** ..... **D21/573**  
(58) **Field of Classification Search** ..... D21/567-575;  
D22/103, 108; 124/41.1, 45, 49, 50, 51.1-53.5,  
124/74, 75, 82; 224/682; 273/349; 220/833,  
220/835; D24/224

FIG. 1 is an isometric view of an expanding textured neck paintball tube showing my new design;  
FIG. 2 is a top view of the design of FIG. 1;  
FIG. 3 is a left side elevational view of the design of FIG. 1;  
FIG. 4 is a front view of the design of FIG. 1;  
FIG. 5 is a right side view of the design of FIG. 1;  
FIG. 6 is a bottom elevational view of the design of FIG. 1; and,  
FIG. 7 is a cross sectional view thereof, taken along line 7-7 of FIG. 2.

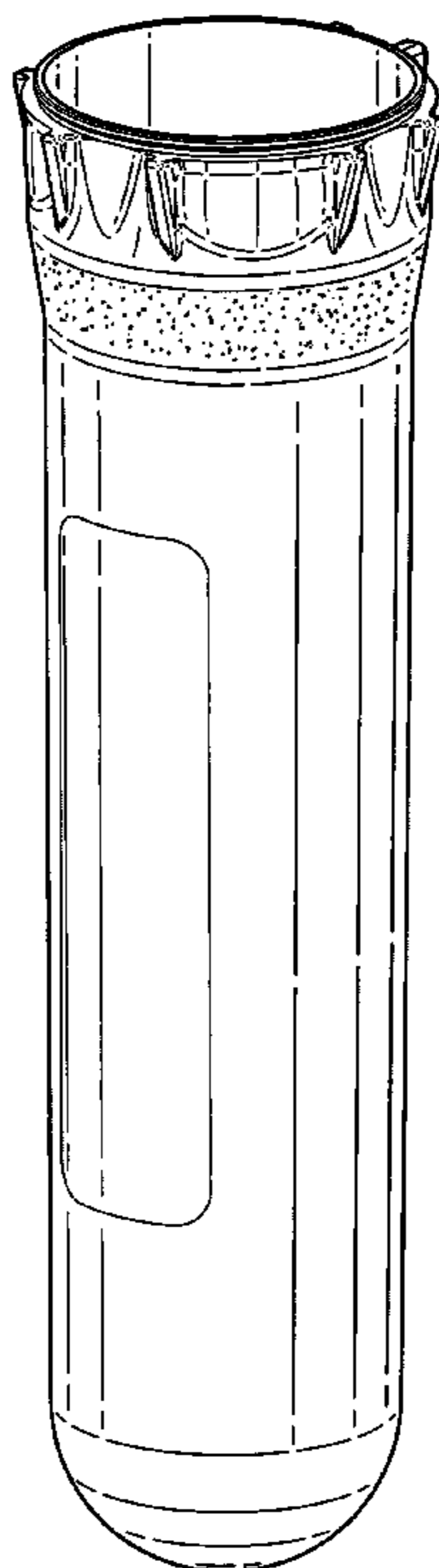
See application file for complete search history.

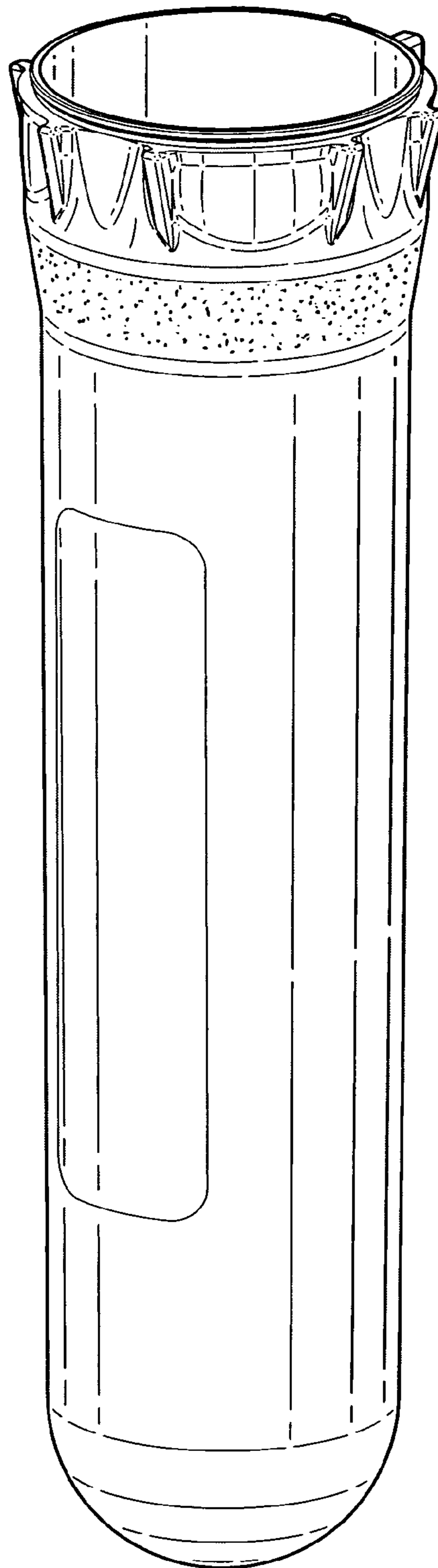
(56) **References Cited**

**U.S. PATENT DOCUMENTS**

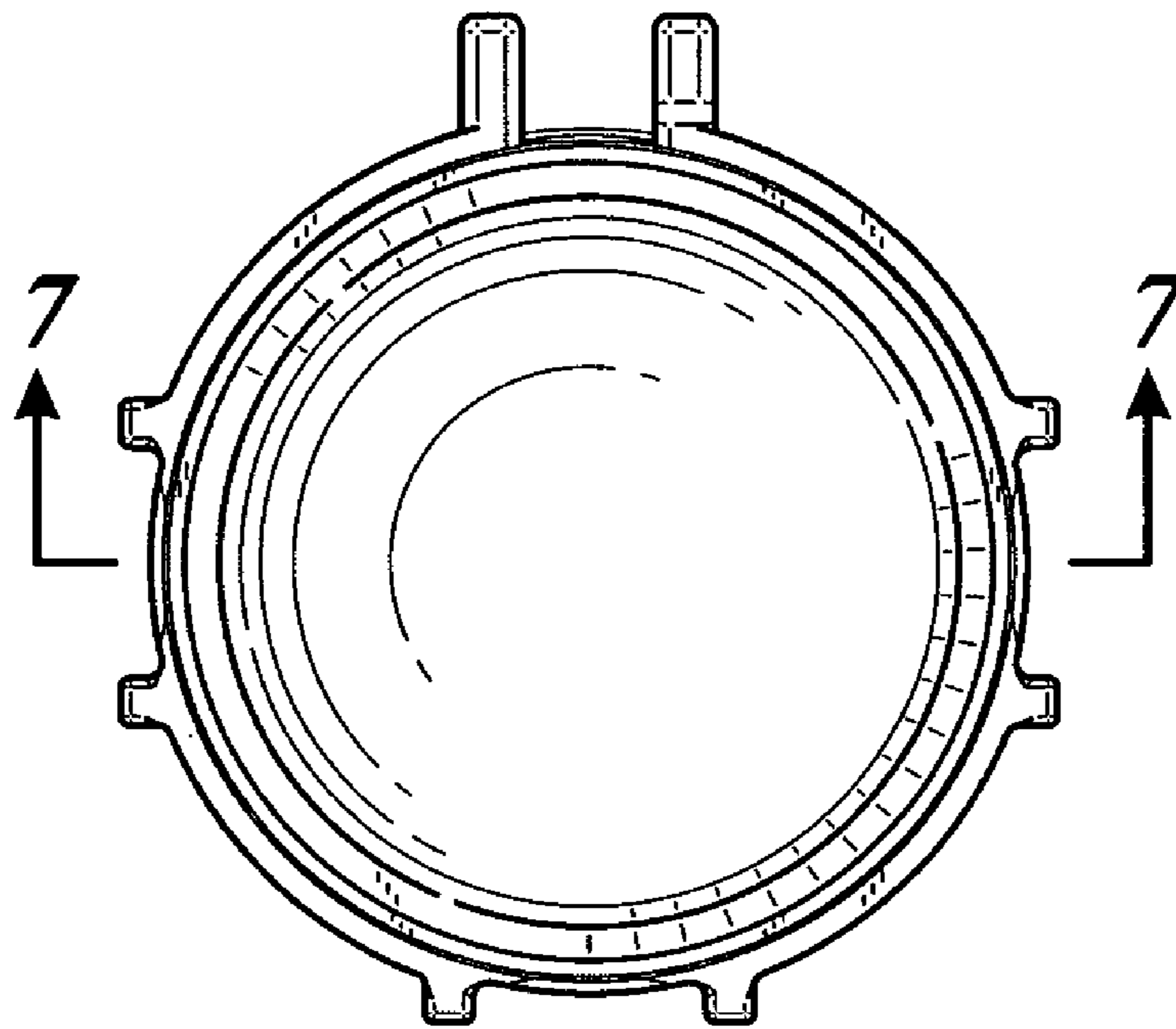
D314,021 S \* 1/1991 Kuljis ..... D21/572  
6,055,975 A \* 5/2000 Gallagher et al. .... 124/50  
6,234,157 B1 \* 5/2001 Parks ..... 124/45  
D460,502 S \* 7/2002 Traum et al. .... D21/573  
6,722,355 B1 \* 4/2004 Andrews, Jr. .... 124/49

**1 Claim, 7 Drawing Sheets**

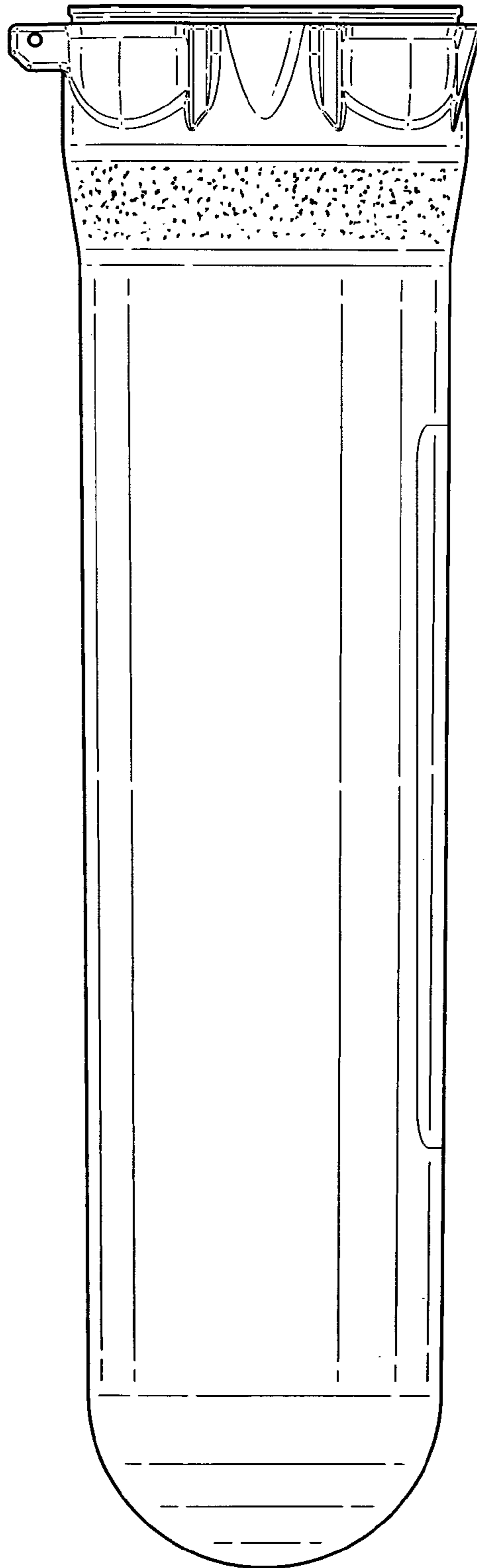




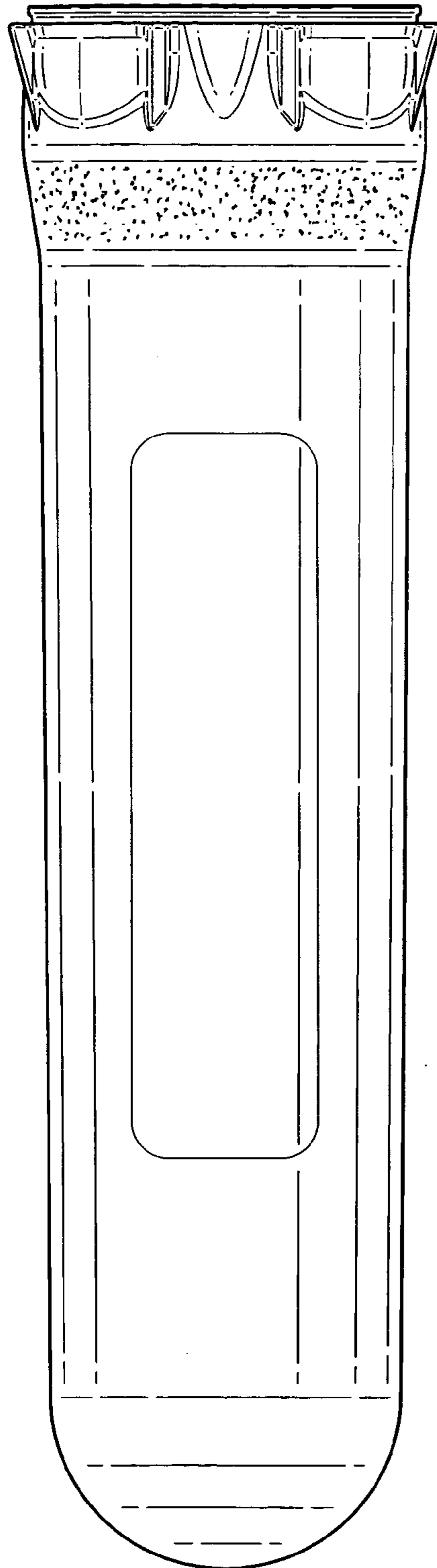
*FIG. 1*



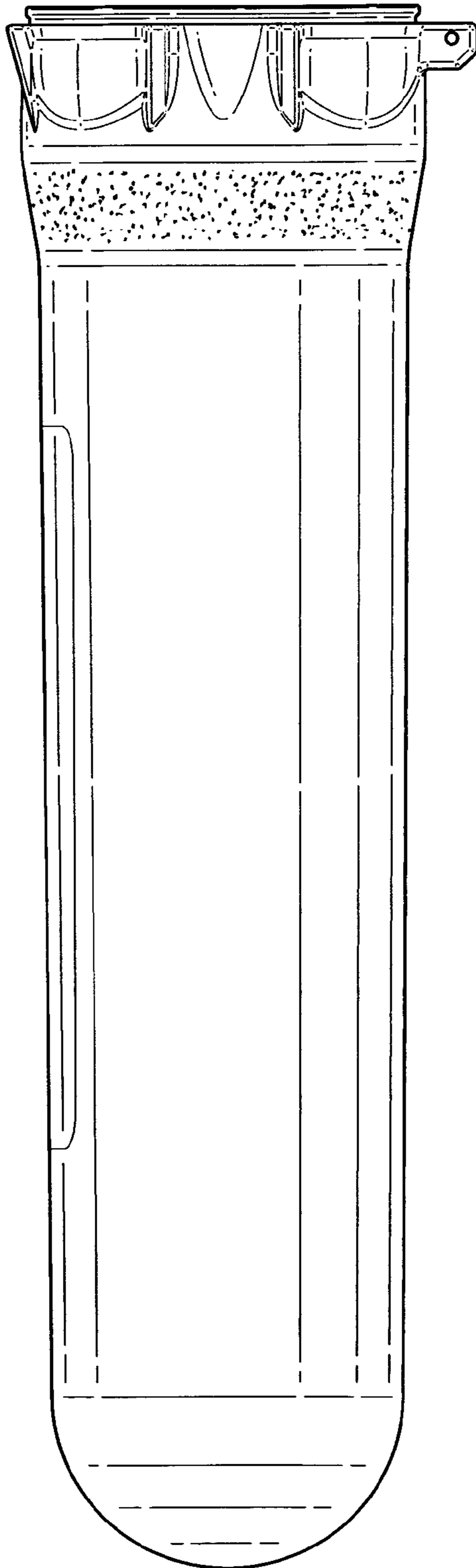
**FIG. 2**



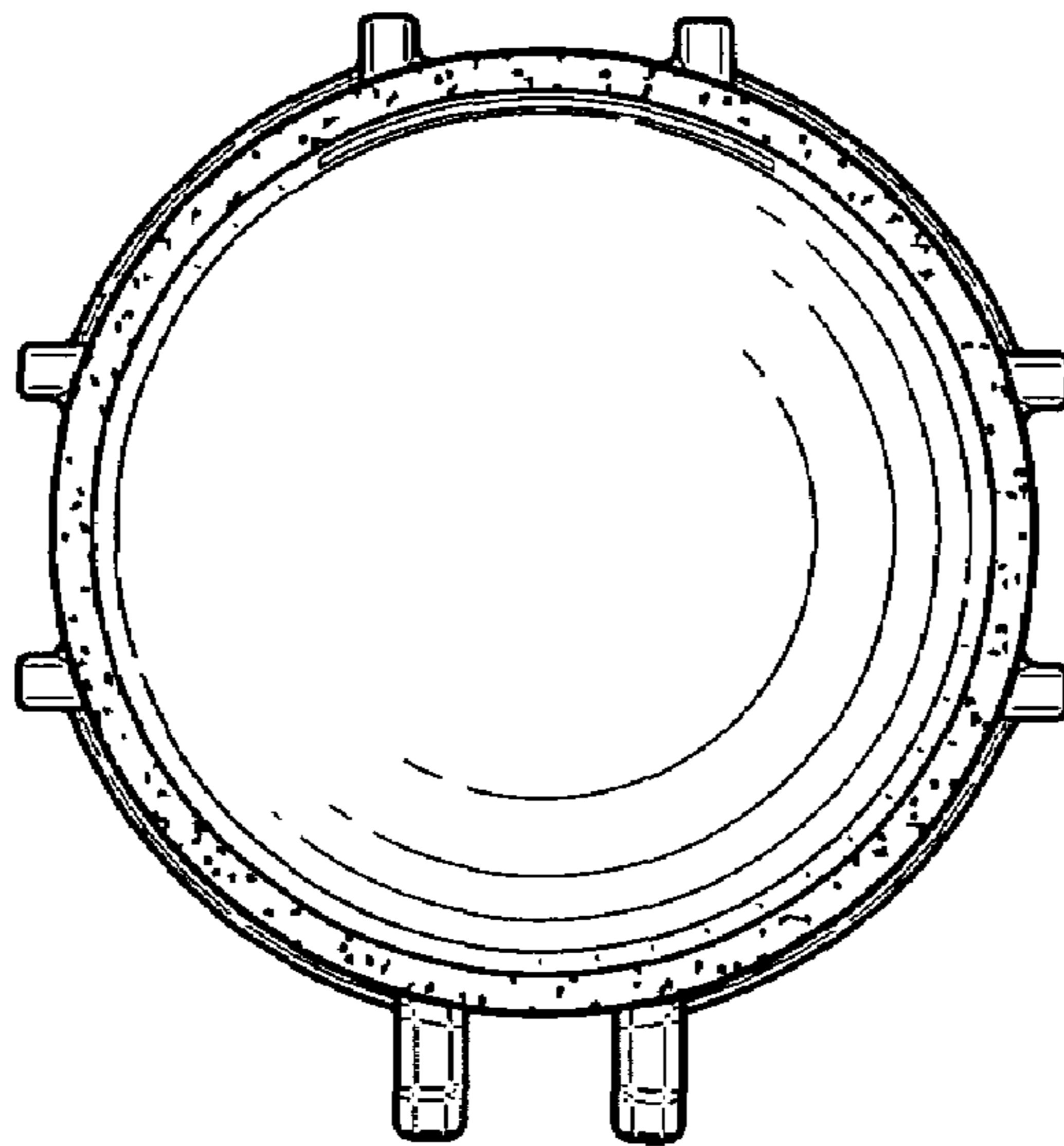
**FIG. 3**



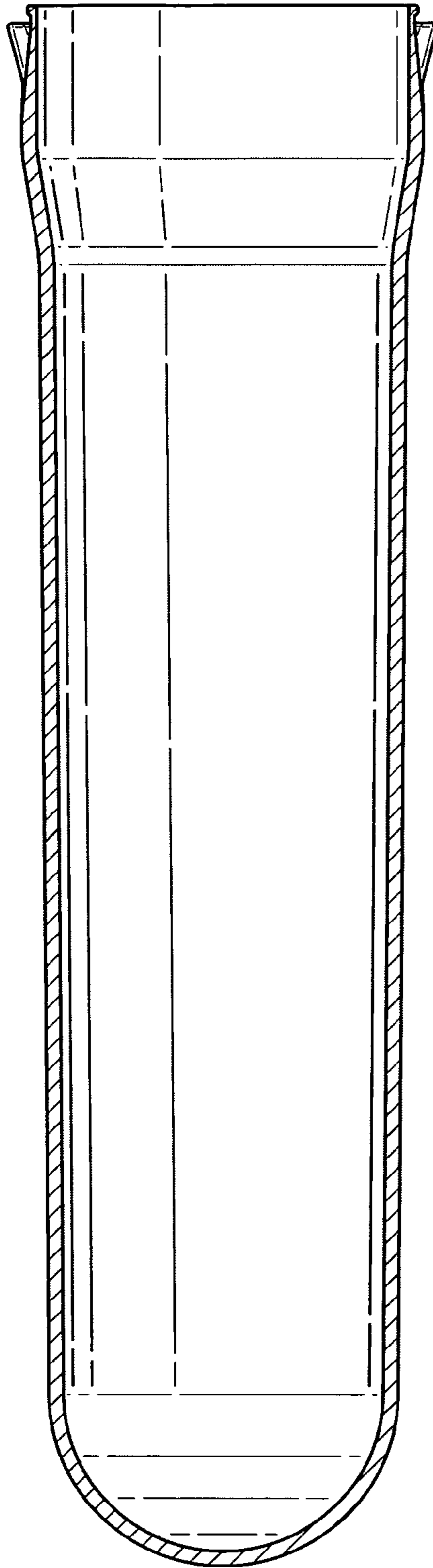
**FIG. 4**



*FIG. 5*



*FIG. 6*



*FIG. 7*