



US00D571408S

(12) **United States Design Patent**  
**Smith et al.**

(10) **Patent No.:** **US D571,408 S**  
(45) **Date of Patent:** **\*\* Jun. 17, 2008**

(54) **PAPER TRAY**

(75) Inventors: **Aaron William Smith**, Plainfield, IL  
(US); **Charlotte Marie Lux**, Chicago,  
IL (US)

(73) Assignee: **Sanford, L.P.**, Oak Brook, IL (US)

(\*\*) Term: **14 Years**

(21) Appl. No.: **29/284,938**

(22) Filed: **Sep. 18, 2007**

**Related U.S. Application Data**

(62) Division of application No. 29/232,360, filed on Jun.  
17, 2005, now Pat. No. Des. 555,204.

(51) **LOC (8) Cl.** ..... **19-02**

(52) **U.S. Cl.** ..... **D19/92**

(58) **Field of Classification Search** ..... D3/304,  
D3/314; D19/75, 78, 86, 91, 92, 95; 206/215,  
206/555, 557; 211/11, 126.1, 126.2, 126.3,  
211/126.4, 126.5, 126.6, 126.7, 126.14, 126.16  
See application file for complete search history.

(56) **References Cited**

**U.S. PATENT DOCUMENTS**

D39,557 S	9/1908	Hebestreit .....	D7/554.3
1,740,424 A	12/1929	Blaine .....	206/449
1,762,596 A	6/1930	Soper .....	211/126.12
2,901,120 A *	8/1959	Abrahamson .....	211/126.12
D187,830 S	5/1960	Lewis .....	D19/92
3,204,778 A	9/1965	Nawman et al. ....	206/510
3,219,196 A	11/1965	Hare et al. ....	211/126.6
3,482,708 A *	12/1969	Levit et al. ....	211/126.12
D240,820 S *	8/1976	Beil .....	D19/92
D251,251 S *	3/1979	Tiedemann .....	D19/20
4,253,402 A *	3/1981	Carrig et al. ....	108/27
D316,116 S *	4/1991	Hawes et al. ....	D19/92
D317,628 S	6/1991	Evenson .....	D19/92
5,097,957 A	3/1992	Adams et al. ....	206/557
D334,774 S *	4/1993	Prey .....	D19/92
D348,904 S *	7/1994	Linder .....	D19/92

D368,116 S *	3/1996	Kozo .....	D19/92
D425,937 S *	5/2000	Serrault et al. ....	D19/92
D476,370 S *	6/2003	Serrault et al. ....	D19/92
D479,273 S	9/2003	Chang .....	D19/92
D522,059 S	5/2006	Killinger et al. ....	D19/92
D555,737 S *	11/2007	Brown et al. ....	D19/91

**OTHER PUBLICATIONS**

Photo of shoes with orange and blue accents which were publicly  
available before Jun. 17, 2005.

Photo of green fabric with pink handprint which was publicly  
available before Jun. 17, 2005.

Photo of brown shoe with pink straps which was publicly available  
before Jun. 17, 2005.

Photo of multi-colored bag which was publicly available before Jun.  
17, 2005.

Photo of brown shoulder bag which was publicly available before  
Jun. 17, 2005.

Photo of multi-colored hand purse which was publicly available  
before Jun. 17, 2005.

Photo of green purse and brown organizer which was publicly  
available before Jun. 17, 2005.

(Continued)

*Primary Examiner*—Elizabeth A Albert  
(74) *Attorney, Agent, or Firm*—Marshall Gerstein & Borun  
LLP

(57) **CLAIM**

The ornamental design for a “paper tray”, as shown and  
described.

**DESCRIPTION**

FIG. 1 is a side view showing our new design for a paper  
tray;

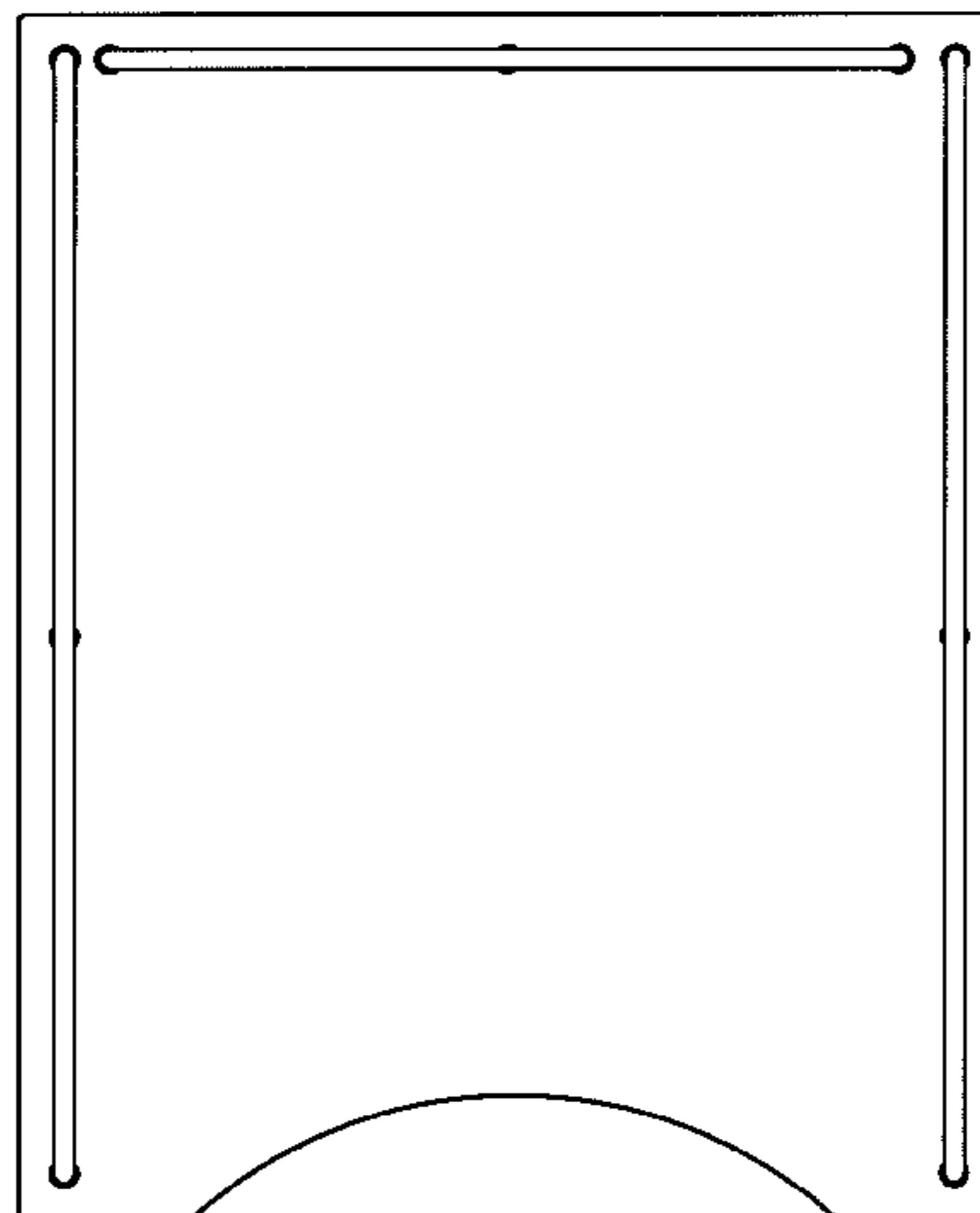
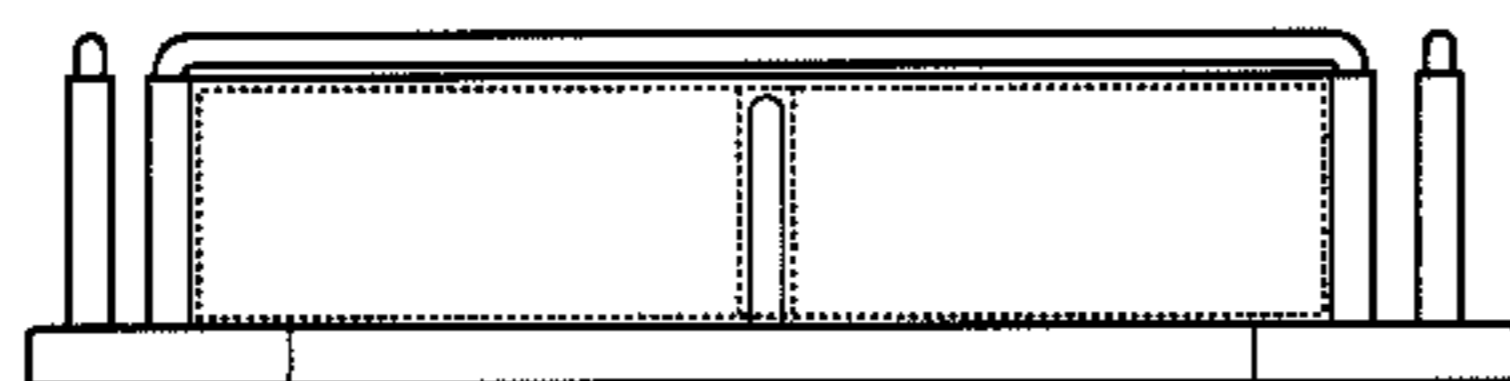
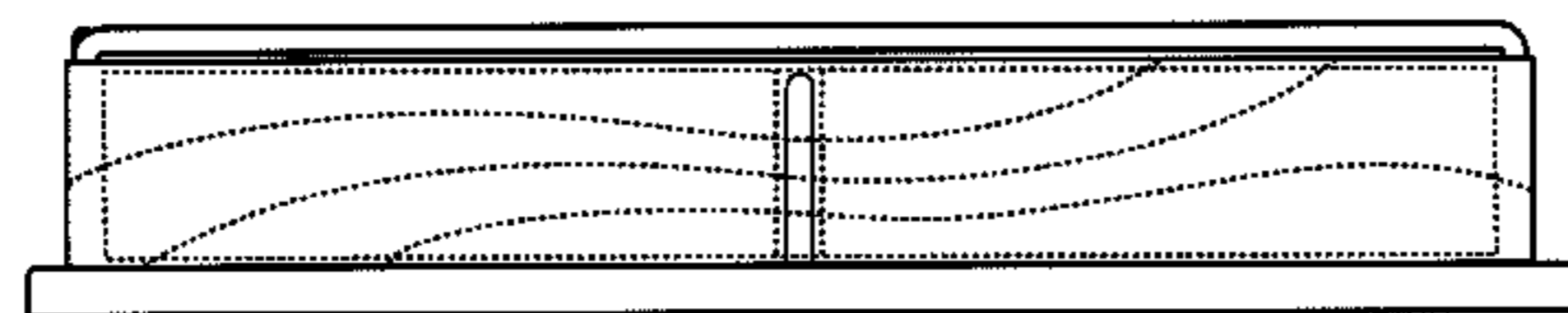
FIG. 2 is a front view of the a paper tray of FIG. 1;

FIG. 3 is the opposite side view of the a paper tray of FIG.  
1;

FIG. 4 is a rear view of the a paper tray of FIG. 1; and,

FIG. 5 is a top plan view of the a paper tray of FIG. 1.

**1 Claim, 5 Drawing Sheets**



OTHER PUBLICATIONS

Photo of black backpack which was publicly available before Jun. 17, 2005.

Photo of multi-colored boot which was publicly available before Jun. 17, 2005.

Photo of white and yellow shoe which was publicly available before Jun. 17, 2005.

Photo of gold colored purse which was publicly available before Jun. 17, 2005.

Photo of brown and red bag which was publicly available before Jun. 17, 2005.

Photo of tan purse which was publicly available before Jun. 17, 2005.

Photo of white and green boot which was publicly available before Jun. 17, 2005.

Photo of red purse which was publicly available before Jun. 17, 2005.

Photo of yellow and green shoe which was publicly available before Jun. 17, 2005.

Photo of pink fabric which was publicly available before Jun. 17, 2005.

Photo of white and brown shoe which was publicly available before Jun. 17, 2005.

Photo of grey fabric which was publicly available before Jun. 17, 2005.

Photo of blue shoe which was publicly available before Jun. 17, 2005.

Photo of pink purse which was publicly available before Jun. 17, 2005.

Photo of yellow shoes which were publicly available before Jun. 17, 2005.

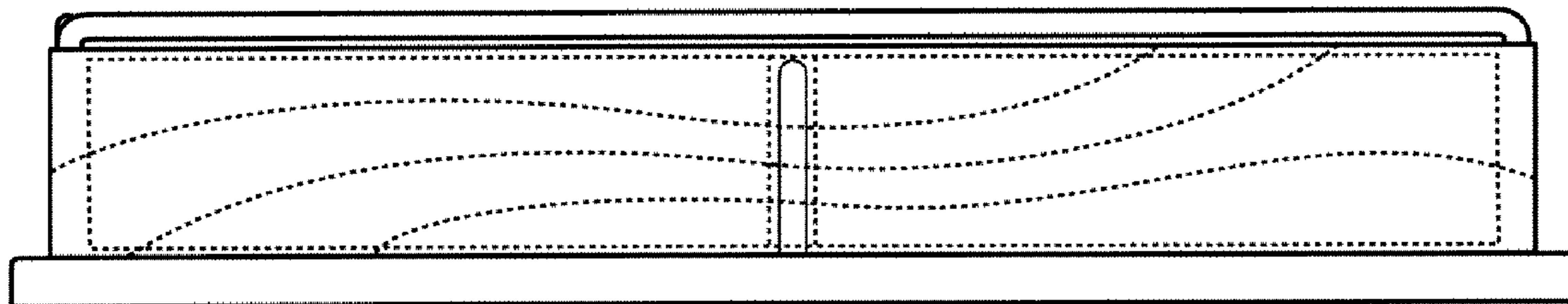
Photo of white, gold and red purse which was publicly available before Jun. 17, 2005.

Photo of yellow and gold organizers which were publicly available before Jun. 17, 2005.

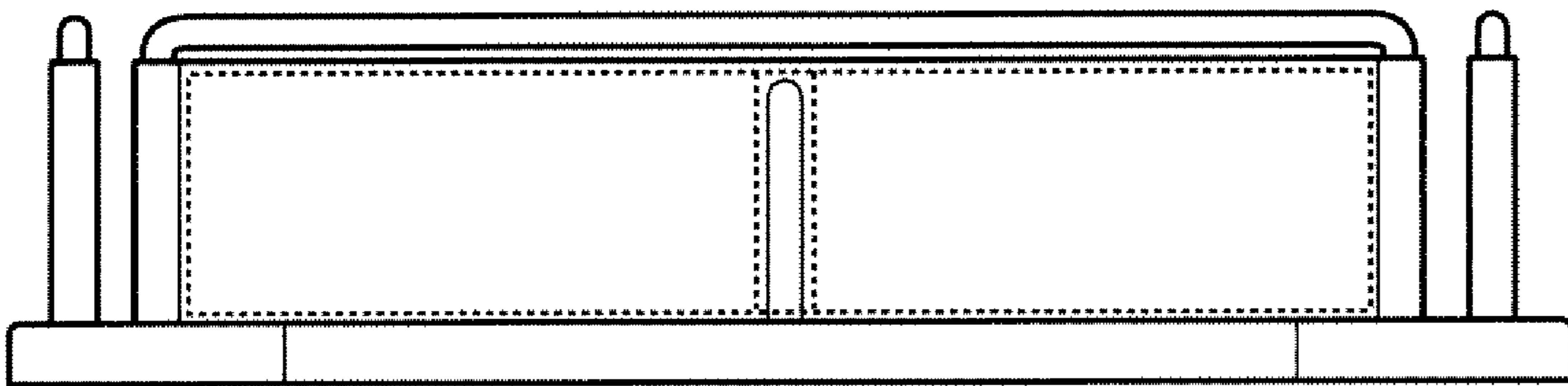
Photo of pink shoe which was publicly available before Jun. 17, 2005.

\* cited by examiner

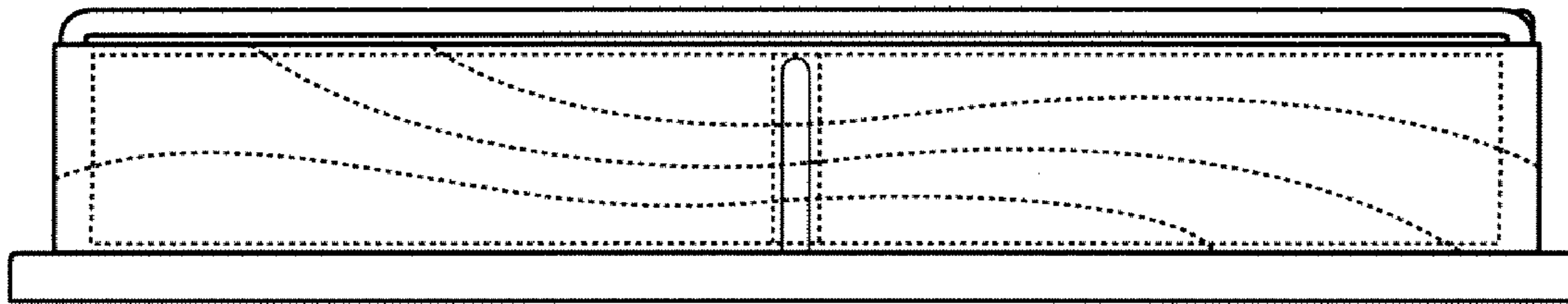
**FIG. 1**



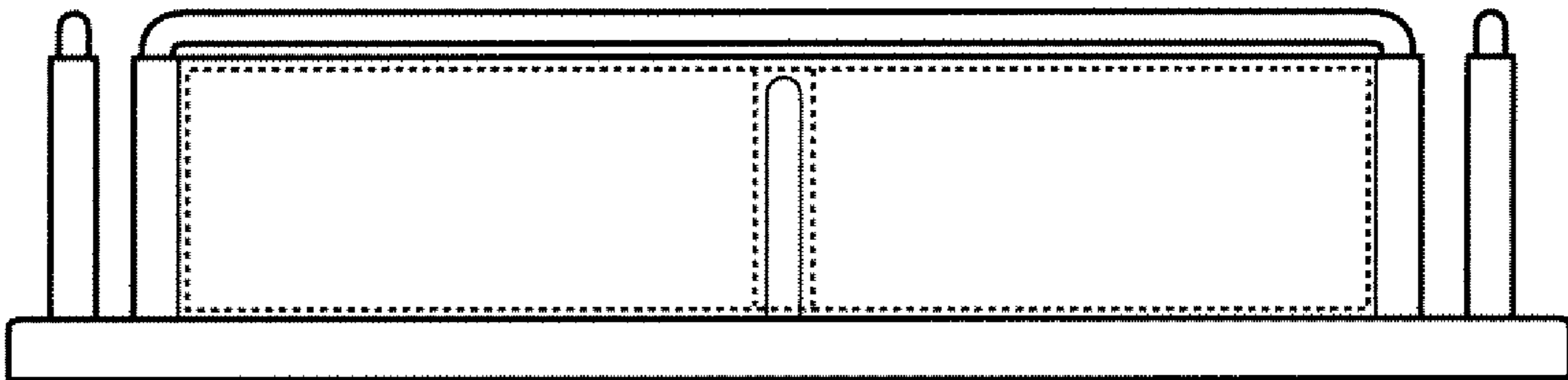
**FIG. 2**



**FIG. 3**



**FIG. 4**



**FIG. 5**

