



US00D571407S

(12) **United States Design Patent**  
**Dean**

(10) **Patent No.:** **US D571,407 S**  
(45) **Date of Patent:** **\*\* Jun. 17, 2008**

(54) **GUILLOTINE BUSINESS CARD HOLDER**

OTHER PUBLICATIONS

(75) Inventor: **Steve Michael Dean**, 288 Appalachian Trail, Munford, AL (US) 36266

The "Guillotini," as shown on www.sweetgumproducts.com, viewed Oct. 26, 2007 (1 page).\*

\* cited by examiner

(73) Assignee: **Steve Michael Dean**, Munford, AL (US)

*Primary Examiner*—Elizabeth A. Albert

*Assistant Examiner*—Karen E Eldridge Powers

(74) *Attorney, Agent, or Firm*—Laurence P. Colton; Smith, Gambrell & Russell

(\*\*) Term: **14 Years**

(57) **CLAIM**

The ornamental design for a guillotine business card holder, as shown and described.

(21) Appl. No.: **29/246,717**

**DESCRIPTION**

(22) Filed: **May 5, 2006**

FIG. 1 is a perspective view of the guillotine business card holder.

(51) **LOC (8) Cl.** ..... **19-02**

(52) **U.S. Cl.** ..... **D19/91**

(58) **Field of Classification Search** ..... D19/65,

D19/70, 71, 72, 73, 74, 75, 76, 77, 78, 79,

D19/86, 90, 91, 92, 95, 99, 100, 34.1; D6/467,

D6/513, 567, 569, 571; D7/631, 632; D8/373;

D21/392, 396; 40/124, 124.2; 206/214,

206/215, 555, 557, 730, 733, 734, 735, 736,

206/737, 738, 739, 741, 745; 211/10, 11,

211/13, 13.1, 50, 72; 273/148 R, 150

See application file for complete search history.

FIG. 2 is a front elevation view thereof as shown in FIG. 1.

FIG. 3 is a right side elevation view thereof as shown in FIG. 1.

FIG. 4 is a left side elevation view thereof as shown in FIG. 1.

FIG. 5 is a back elevation view thereof as shown in FIG. 1.

FIG. 6 is a top plan view thereof as shown in FIG. 1; and, FIG. 7 is a bottom plan view thereof as shown in FIG. 1.

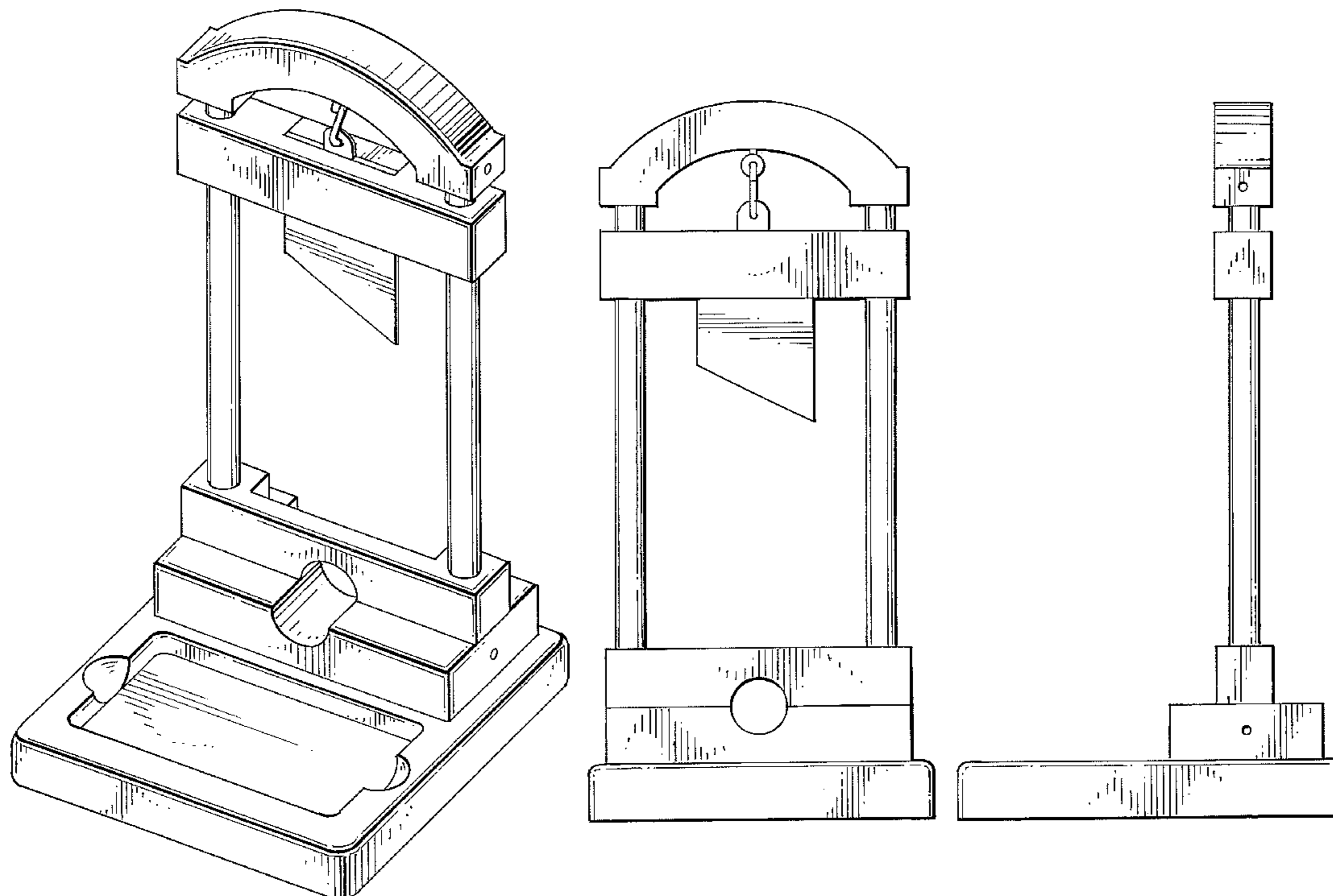
The broken lines showing of the circular features on the bottom of the claimed design in FIG. 7 are for the purpose of illustrating environmental matter and from no part of the claimed design.

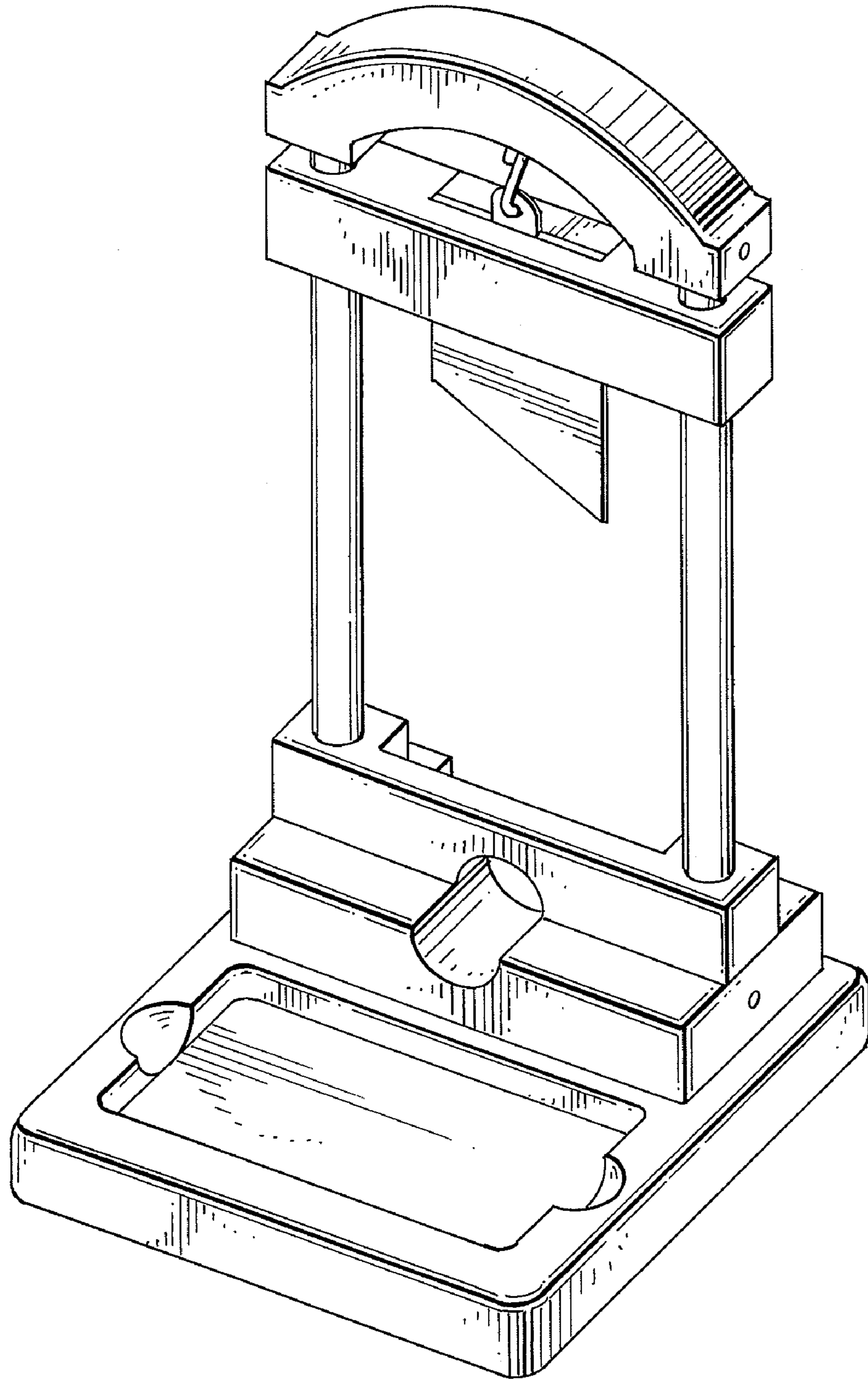
(56) **References Cited**

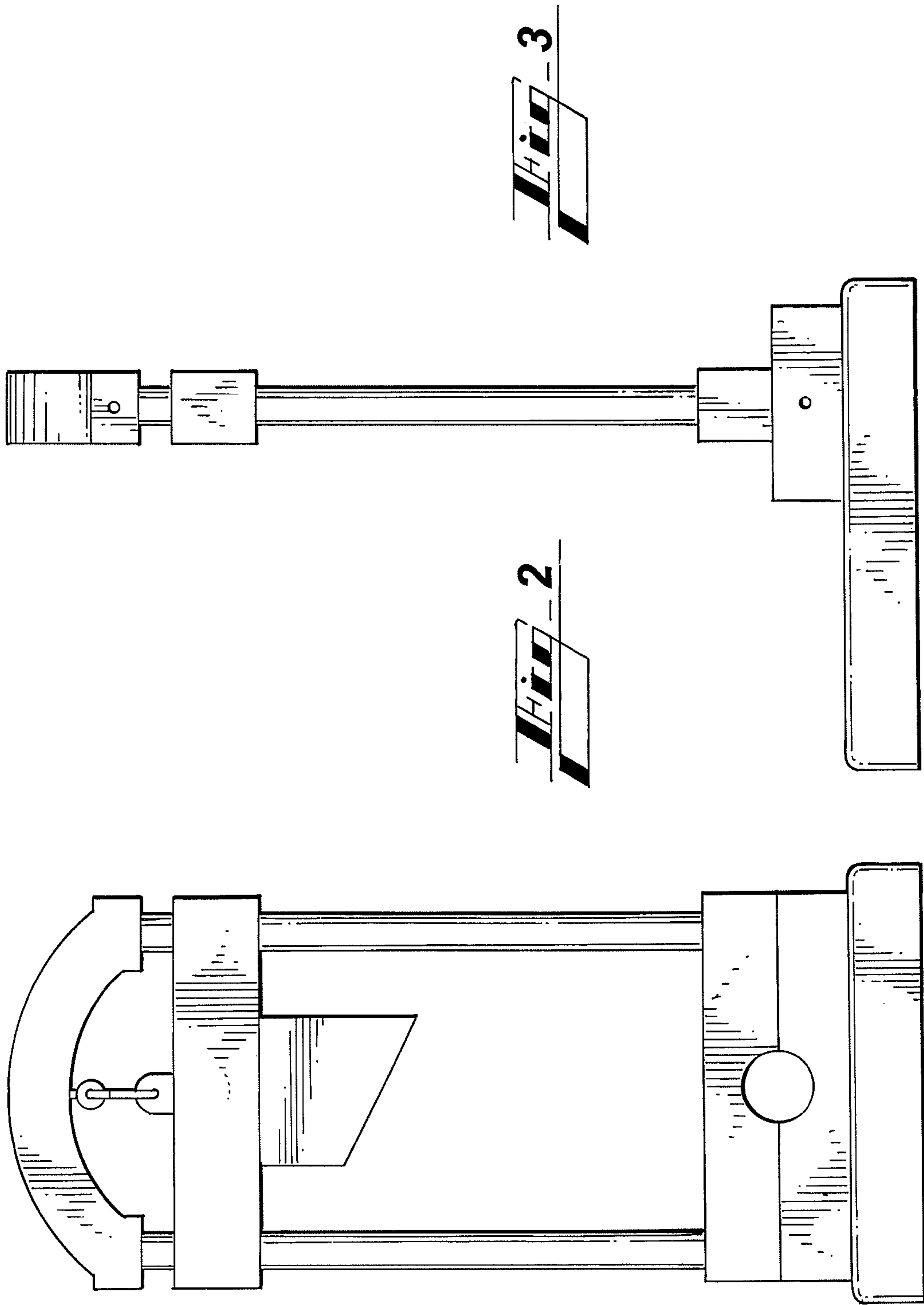
U.S. PATENT DOCUMENTS

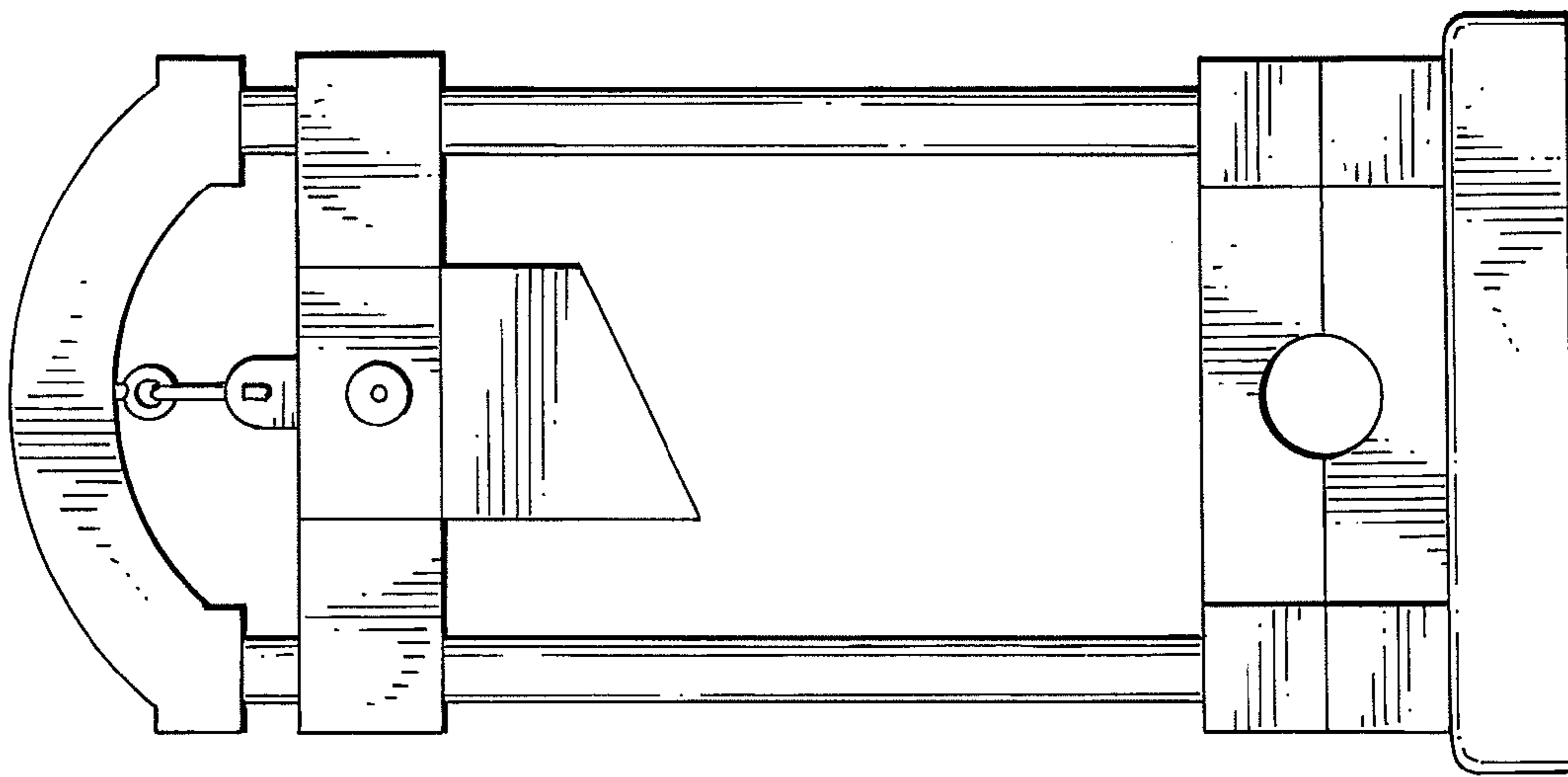
D388,902 S \* 1/1998 Yu ..... D27/195  
D408,583 S \* 4/1999 McGehee ..... D27/195

**1 Claim, 4 Drawing Sheets**

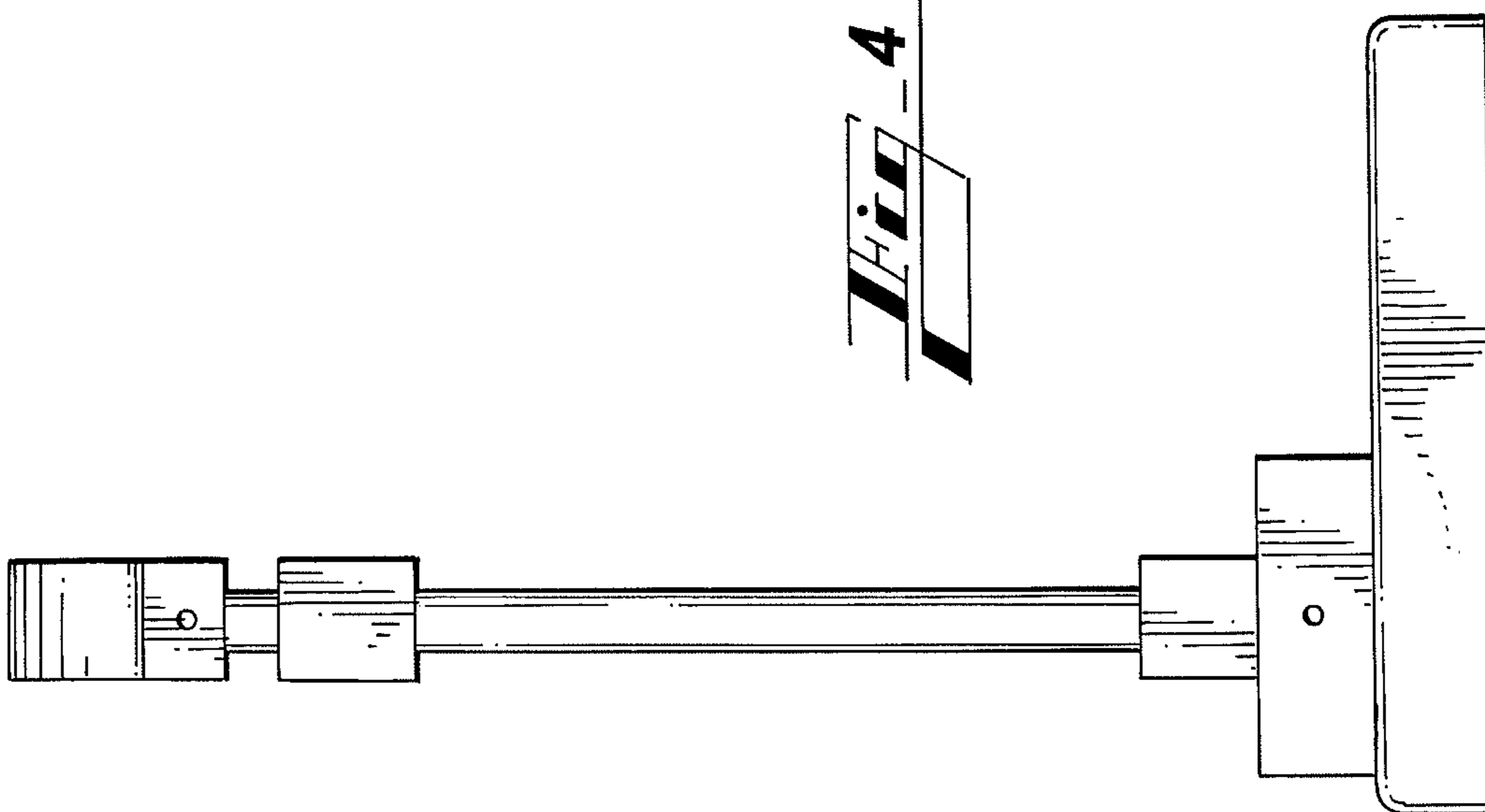








*Fig.* - 5



*Fig.* - 4

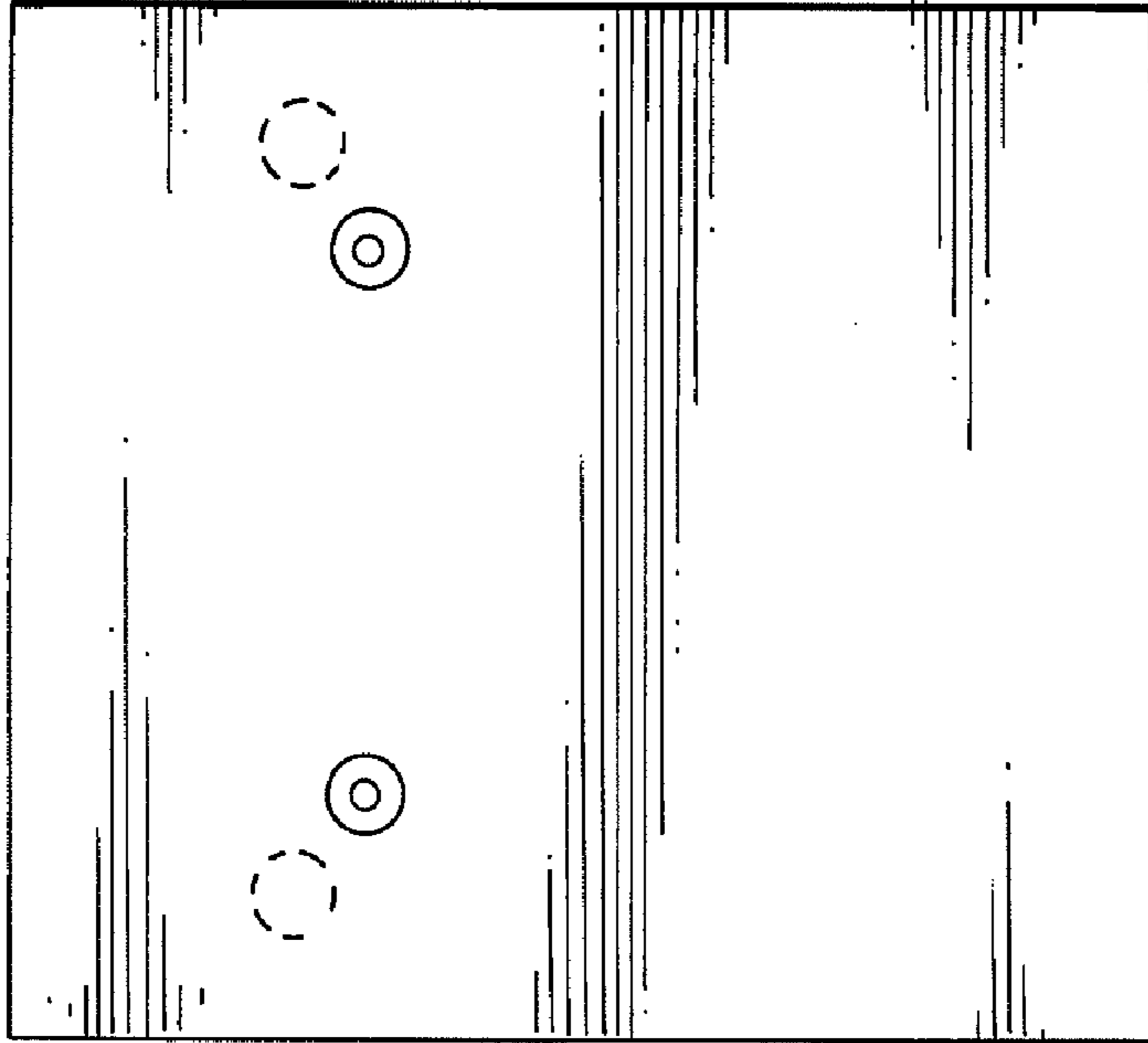


Fig. 7

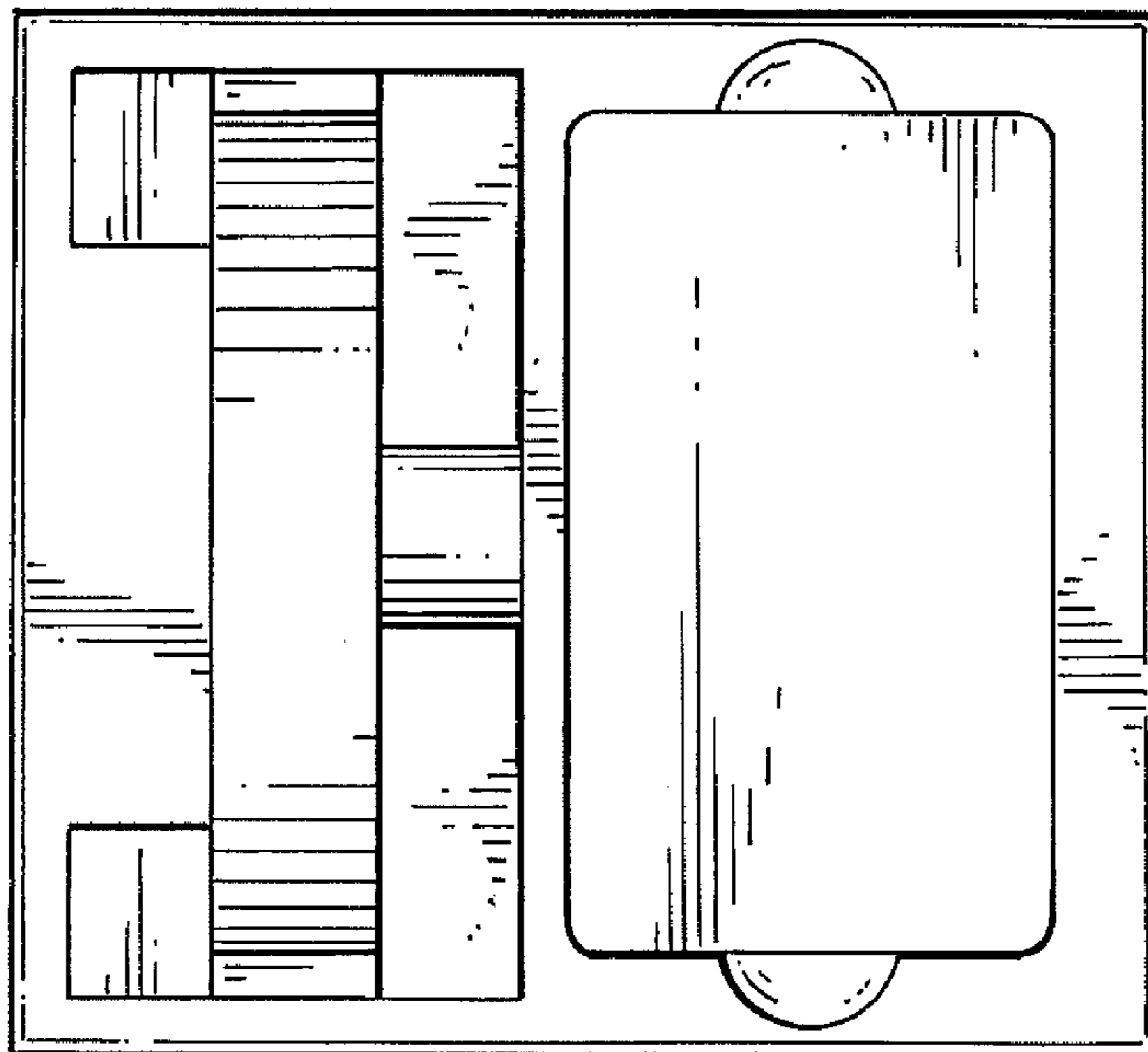


Fig. 6