



US00D571406S

(12) **United States Design Patent**
Chen et al.

(10) **Patent No.: US D571,406 S**
(45) **Date of Patent: ** Jun. 17, 2008**

(54) **PAPER PUNCH**

2006/0278056 A1* 12/2006 Chen et al. 83/588

(75) Inventors: **Peter Chen**, West Windsor, NJ (US);
Jungkun Lee, Edison, NJ (US); **Kevin Hui-Lien Lee**, East Brunswick, NJ (US)

FOREIGN PATENT DOCUMENTS

GB 3001111 * 1/2002

OTHER PUBLICATIONS

Picture of 3-Hole Punch, w/Chip Drawer, Heavy-Duty, 45 Sh. Cap., Silver, as shown on www.greenlightoffice.com, viewed Apr. 9, 2007 (1 page).*

* cited by examiner

(73) Assignee: **Officemate International Corp.**, Edison, NJ (US)

Primary Examiner—Elizabeth A. Albert
Assistant Examiner—Karen E Eldridge Powers
(74) *Attorney, Agent, or Firm*—Daniel Kirshner

(**) Term: **14 Years**

(21) Appl. No.: **29/293,819**

(22) Filed: **Dec. 13, 2007**

(57) **CLAIM**

Related U.S. Application Data

The ornamental design for a paper punch, as shown and described.

(63) Continuation of application No. 29/244,099, filed on Dec. 5, 2005, now abandoned.

DESCRIPTION

(51) **LOC (8) Cl.** **19-02**

(52) **U.S. Cl.** **D19/72**

(58) **Field of Classification Search** D19/65,
D19/72, 73, 74, 95, 99, 100; D8/49, 50,
D8/51, 98, 105, 88; 83/167, 465, 467, 550,
83/560, 588, 618, 627, 633; 30/289, 294,
30/DIG. 3, 358, 363, 364, 278

See application file for complete search history.

FIG. 1 is a front perspective view of a paper punch showing the new design;

FIG. 2 is a front elevational view thereof;

FIG. 3 is a rear elevational view thereof;

FIG. 4 is right side elevational view thereof;

FIG. 5 is a left side elevational view thereof;

FIG. 6 is a top view thereof;

FIG. 7 is a bottom view thereof; and,

FIG. 8 is a front perspective view thereof in an exploded condition.

Features that are shown in the Figures as broken lines are unclaimed.

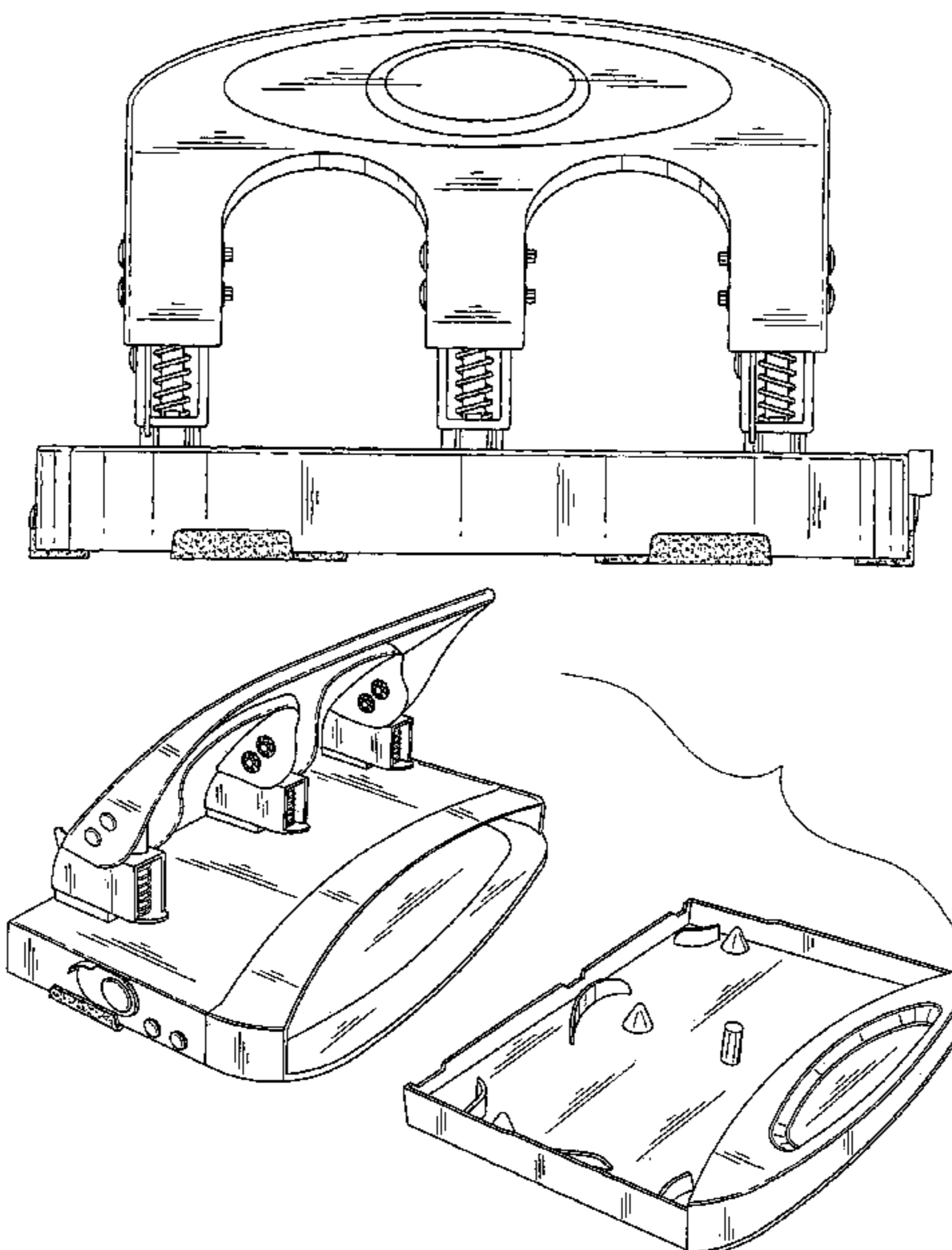
The shading shown on the feet is intended to represent texture.

(56) **References Cited**

U.S. PATENT DOCUMENTS

- 4,449,436 A * 5/1984 Semerjian et al. 83/571
- 4,688,457 A * 8/1987 Neilsen et al. 83/468
- 4,713,995 A * 12/1987 Davi 83/167
- D306,460 S * 3/1990 Mori D19/72
- D358,845 S * 5/1995 Mori D19/72
- D361,786 S * 8/1995 Yang D19/72
- D386,528 S * 11/1997 Mori D19/72

1 Claim, 8 Drawing Sheets



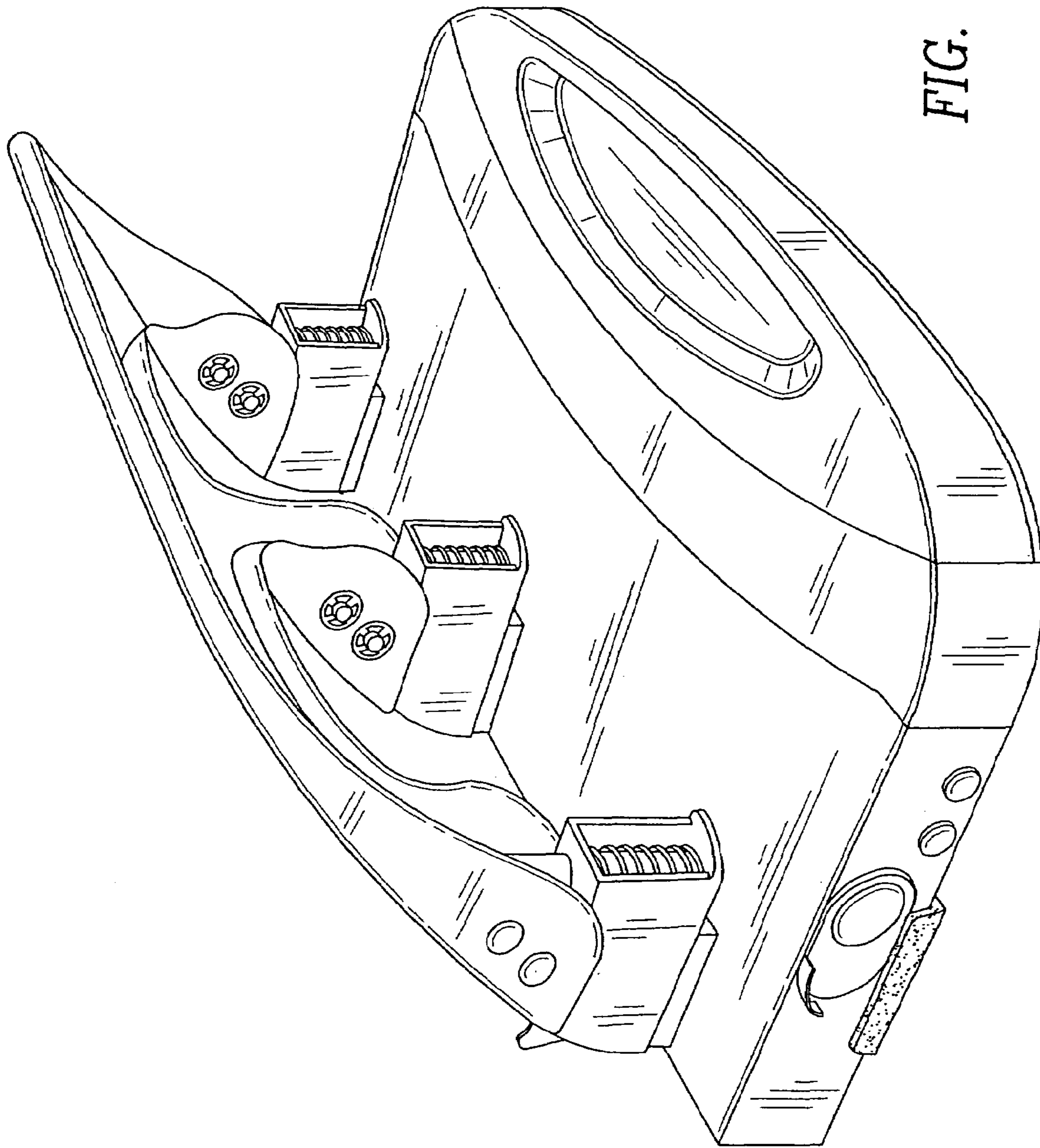


FIG. 1

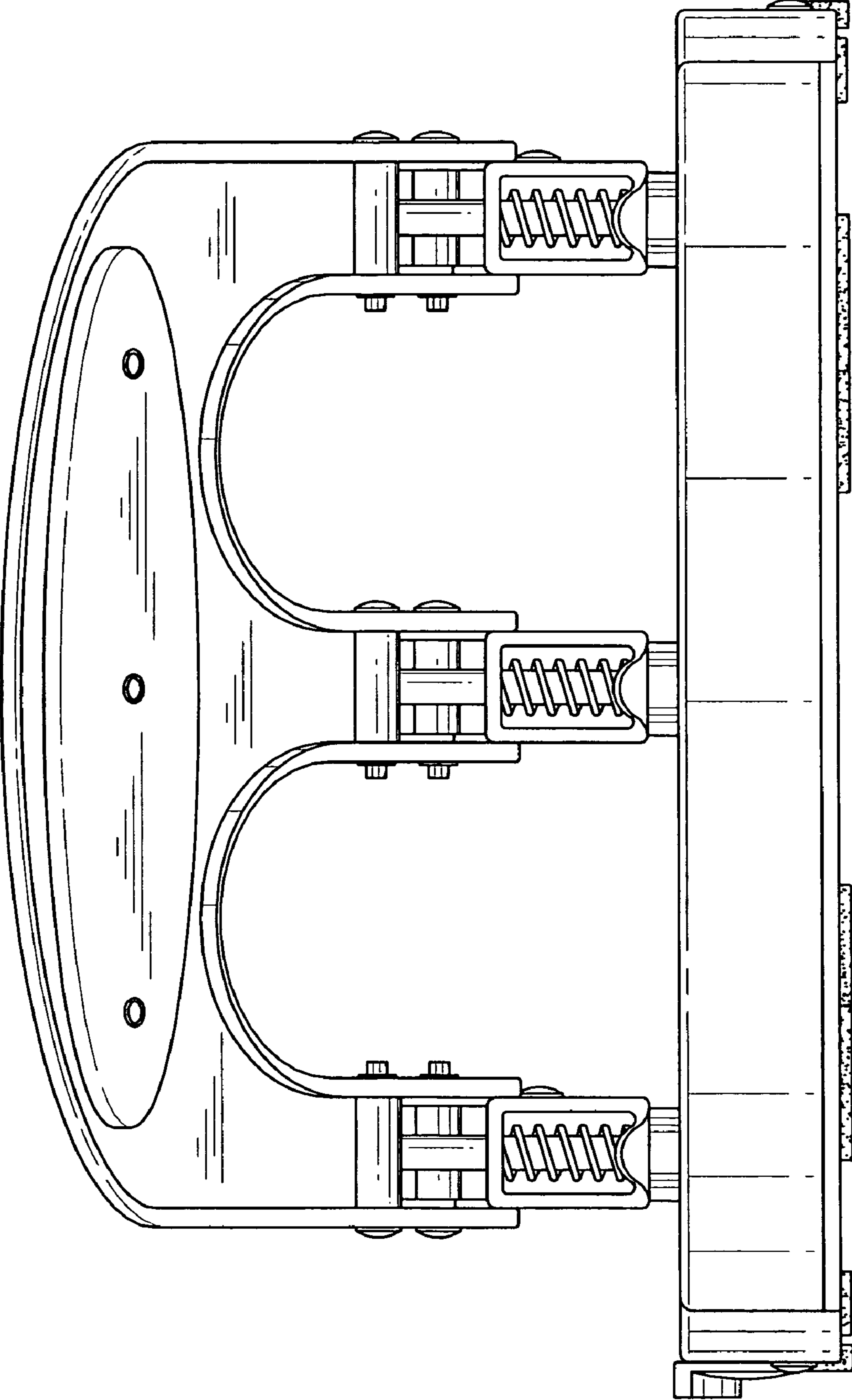


FIG. 2

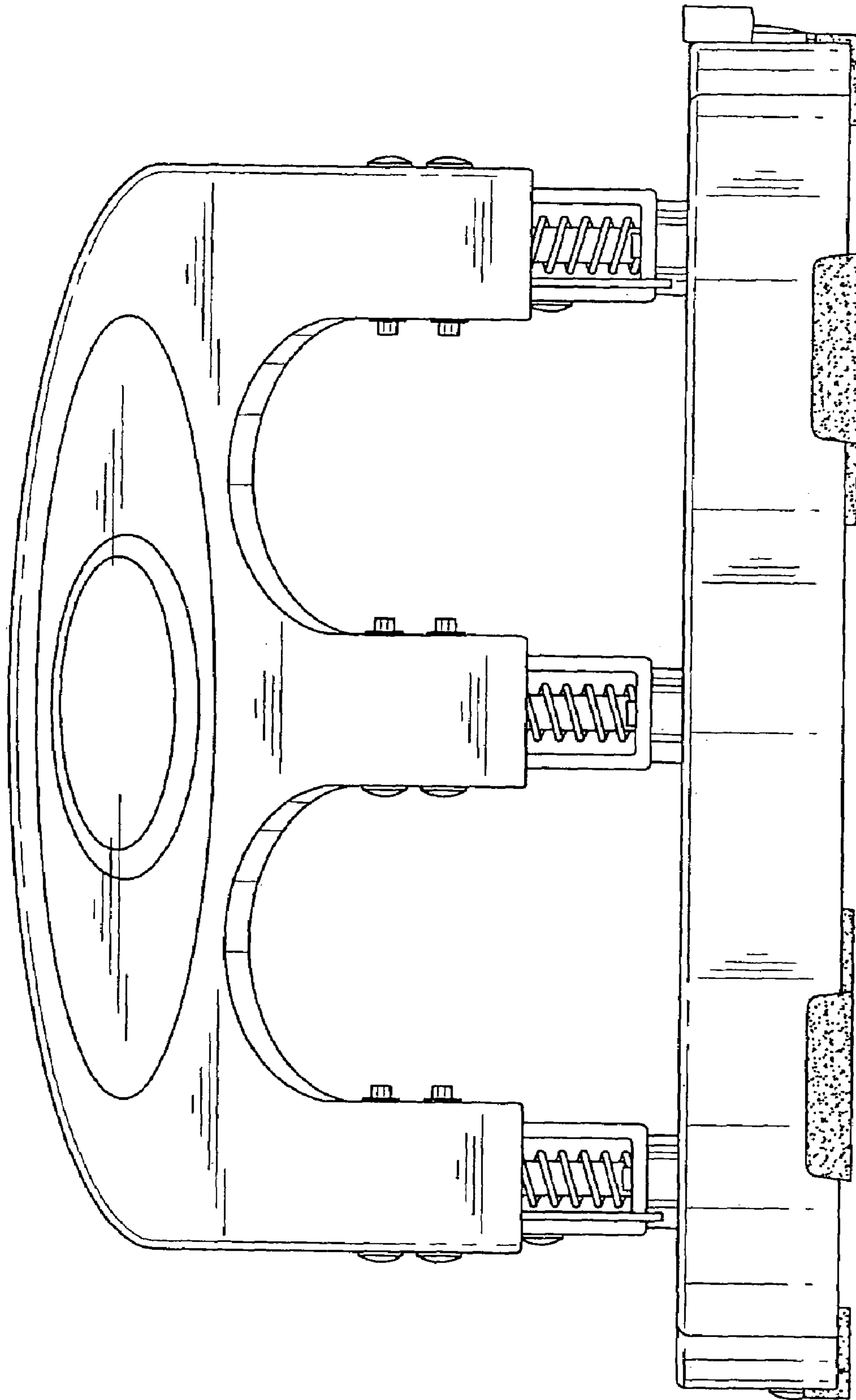


FIG. 3

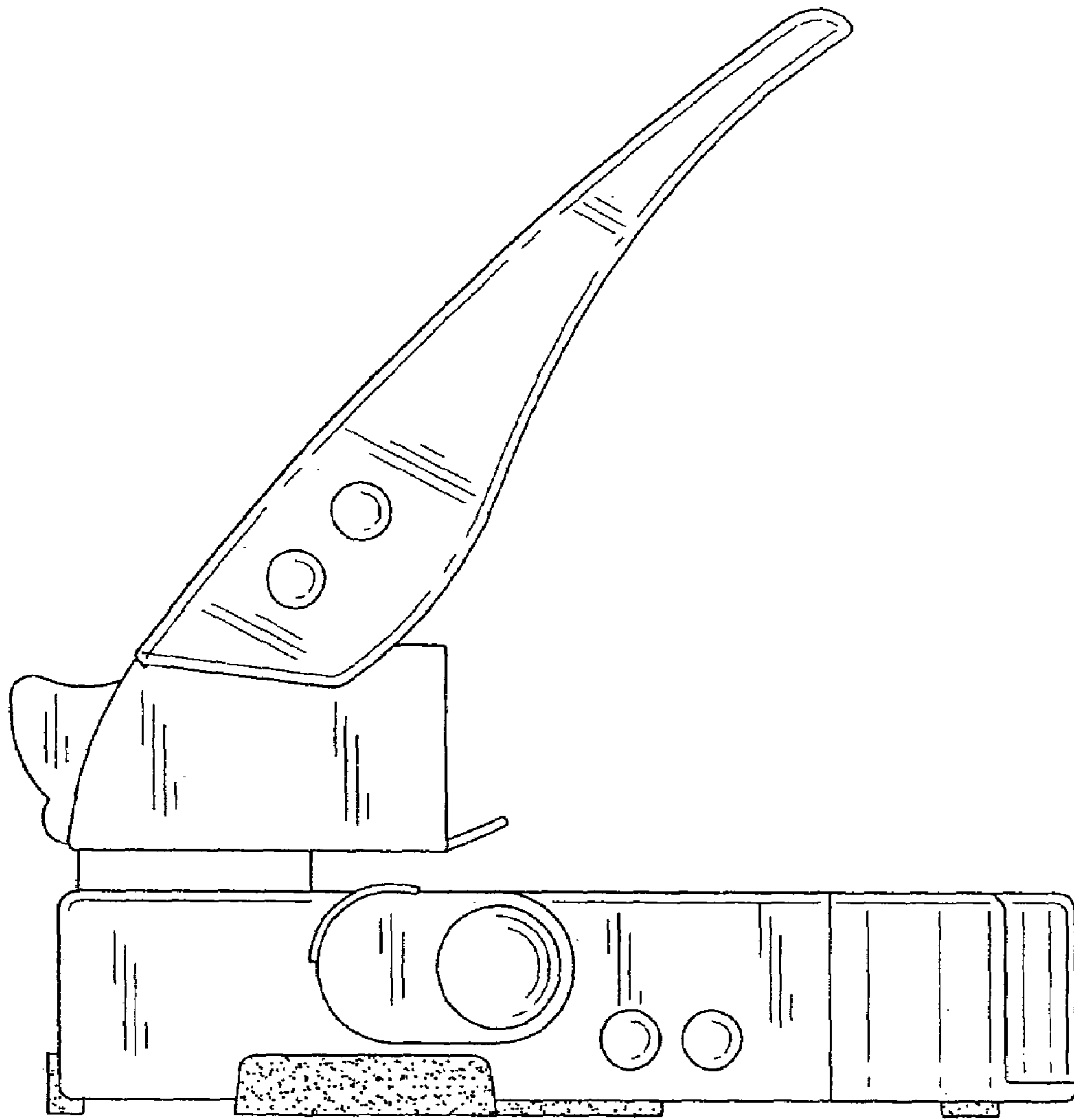


FIG. 4

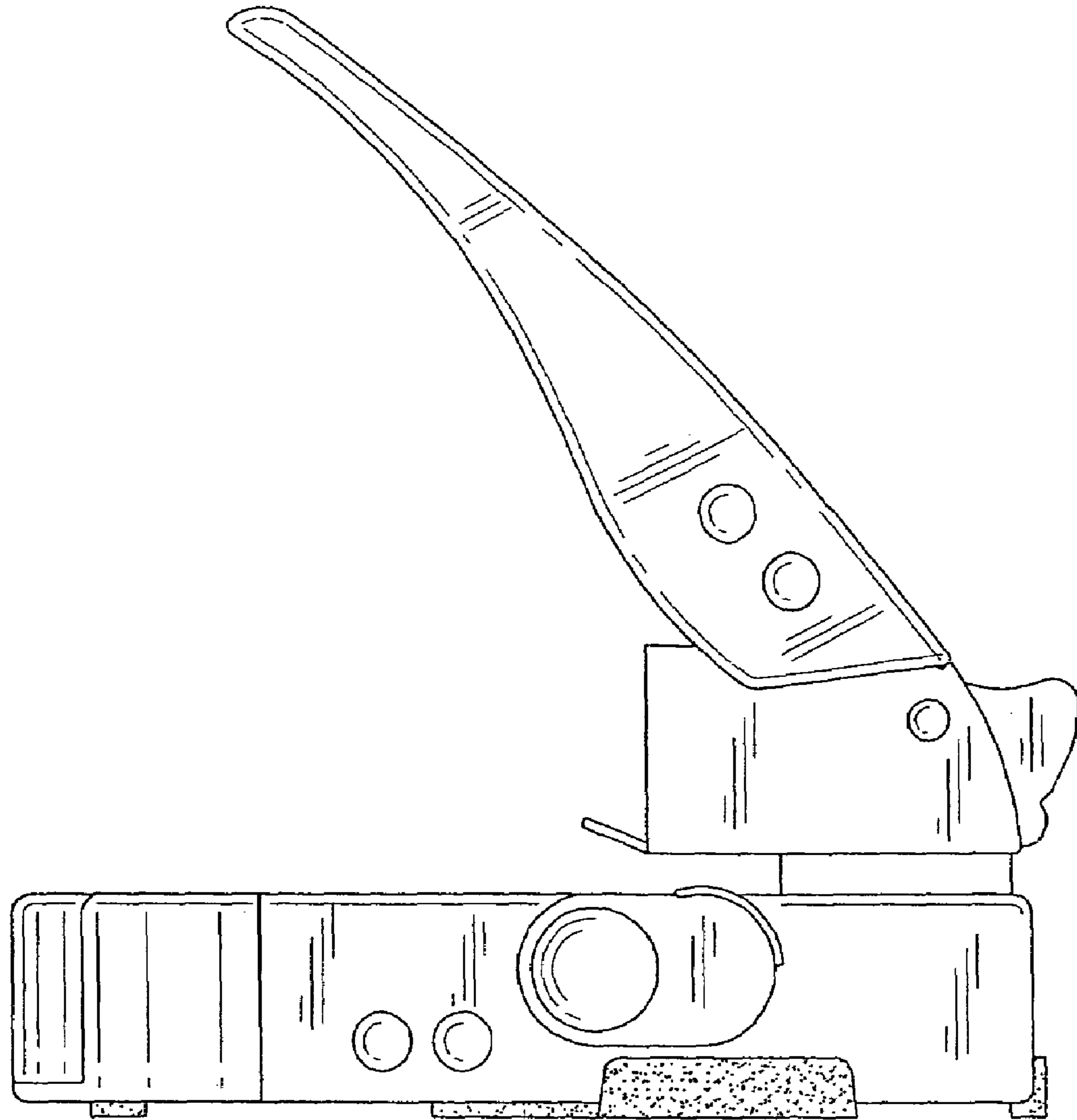


FIG. 5

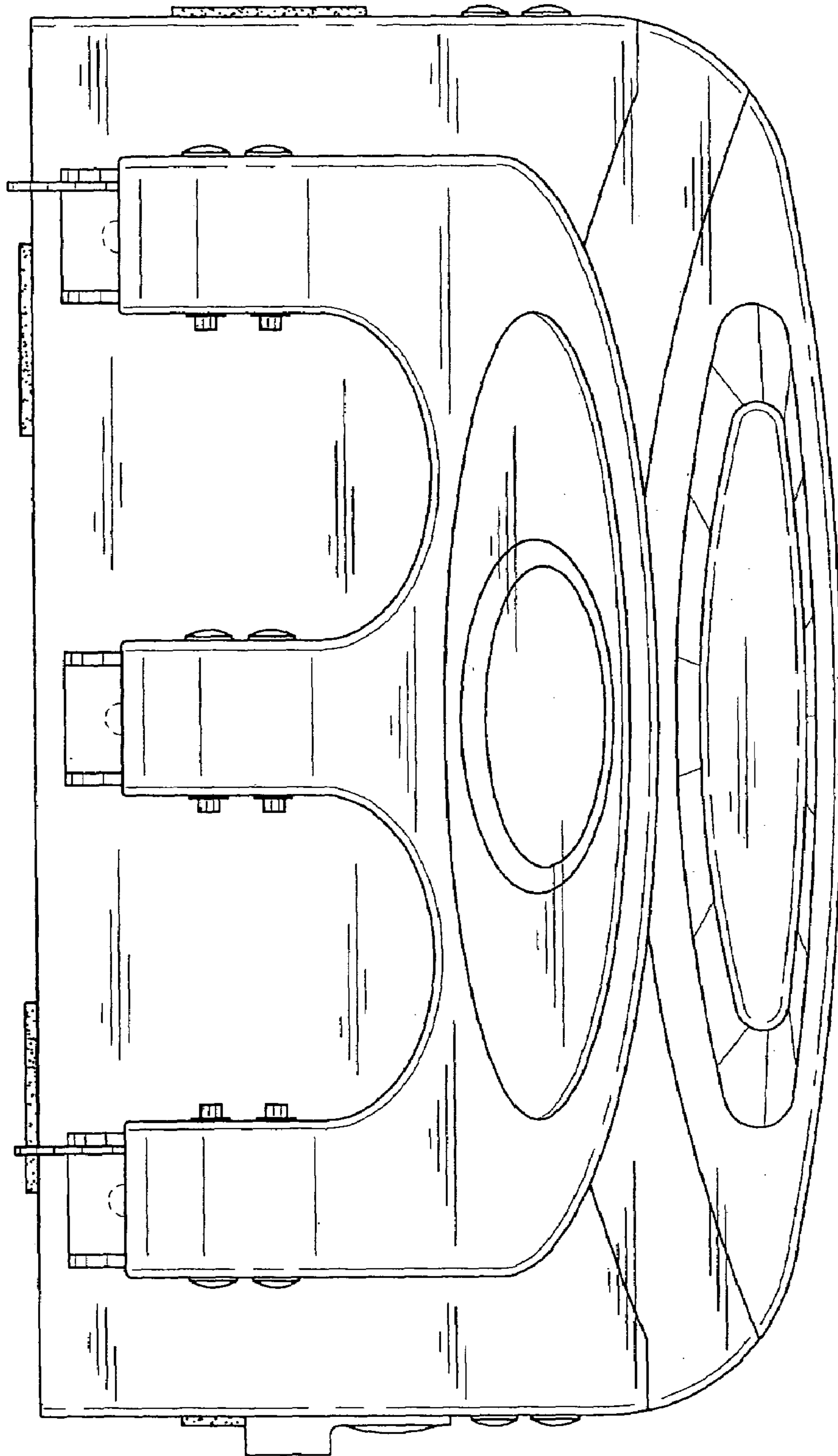


FIG. 6

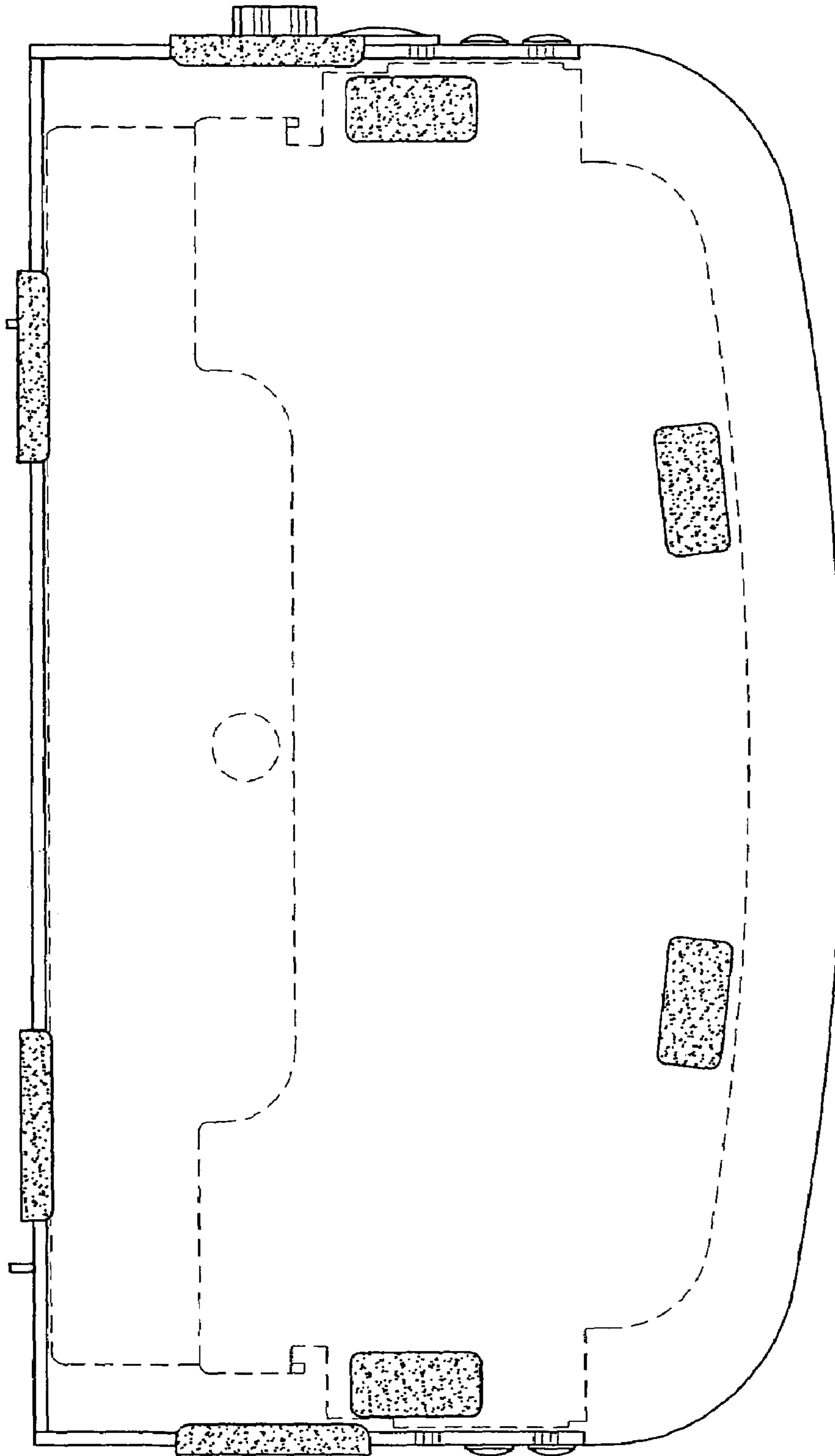


FIG. 7

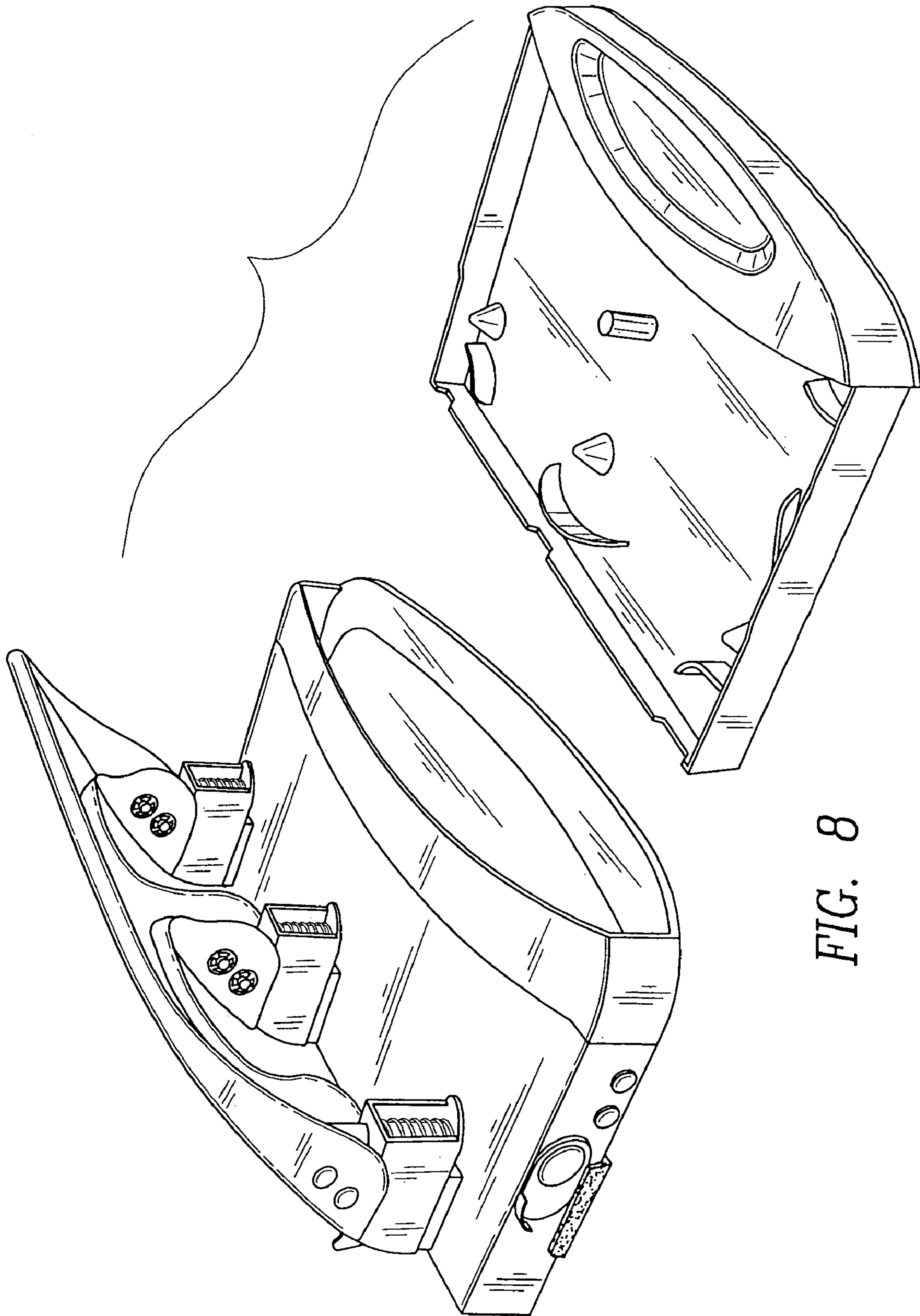


FIG. 8